



US00D419636S

United States Patent [19]
Houston

[11] **Patent Number: Des. 419,636**
[45] **Date of Patent: ** Jan. 25, 2000**

[54] **BOAT-SHAPED FISHING BOBBER**

D. 191,166 8/1961 Abramson 43/43.1
5,005,310 4/1991 Rinehart 43/44.9

[76] Inventor: **David A. Houston**, 8136 N. Druid Ave., Portland, Oreg. 97203

Primary Examiner—Louis S. Zarfes
Assistant Examiner—Inga-Maria Hyttinen
Attorney, Agent, or Firm—Buzz Siler

[**] Term: **14 Years**

[21] Appl. No.: **29/098,826**

[57] **CLAIM**

[22] Filed: **Jan. 6, 1999**

The ornamental design for a boat-shaped fishing bobber, as shown.

[51] **LOC (7) Cl.** **22-05**

DESCRIPTION

[52] **U.S. Cl.** **D22/146**

[58] **Field of Search** D22/126, 146,
D22/145, 132; 43/43.1, 44.9, 44.91; D21/542,
544

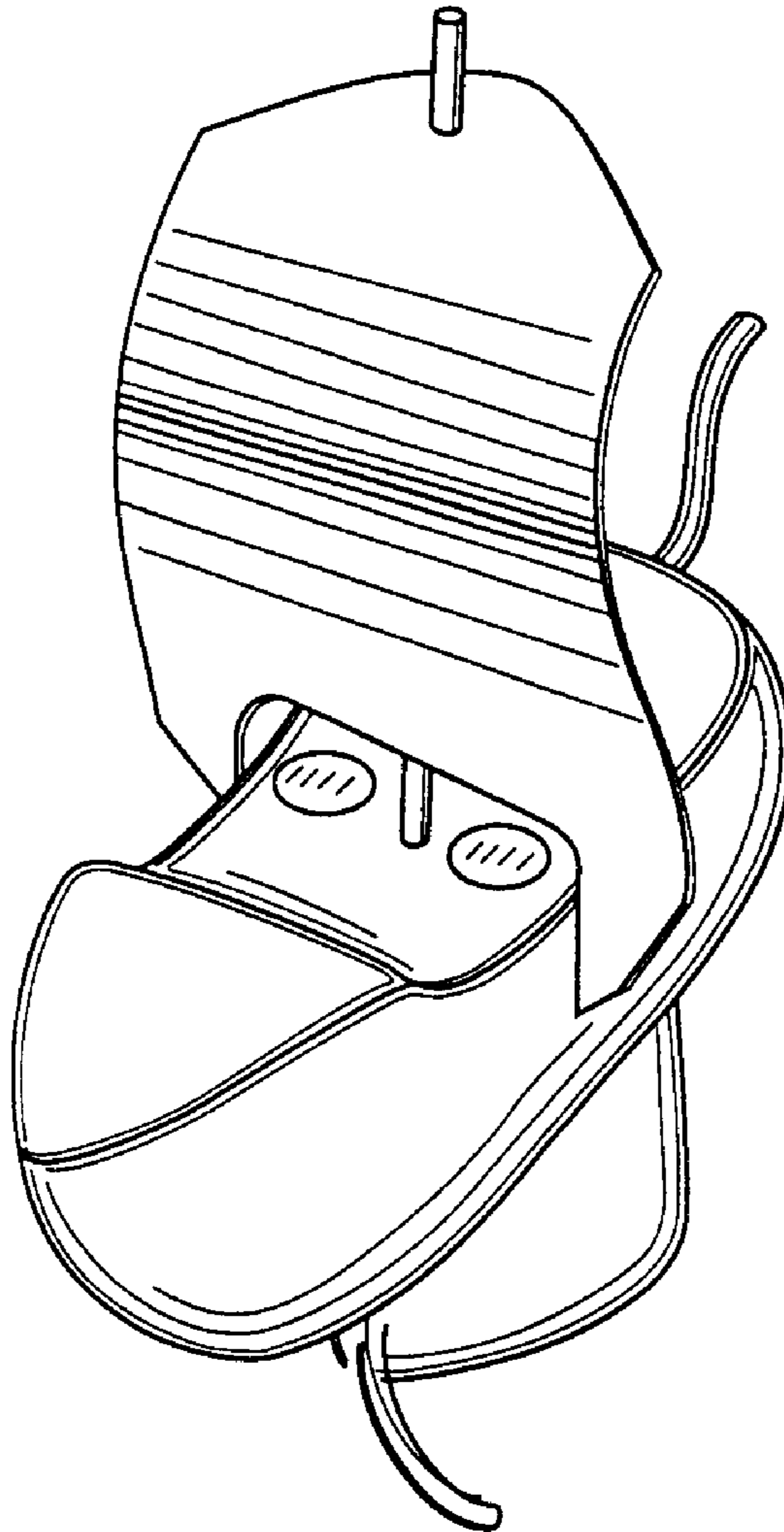
FIG. 1 is a perspective view.
FIG. 2 is a left side view.
FIG. 3 is a top view.
FIG. 4 is a bottom view.
FIG. 5 is a right side view.
FIG. 6 is a front view.
FIG. 7 is a back view.

[56] **References Cited**

U.S. PATENT DOCUMENTS

D. 70,113 5/1926 Hamilton D21/544
D. 71,063 9/1926 Hamilton D21/544

1 Claim, 1 Drawing Sheet



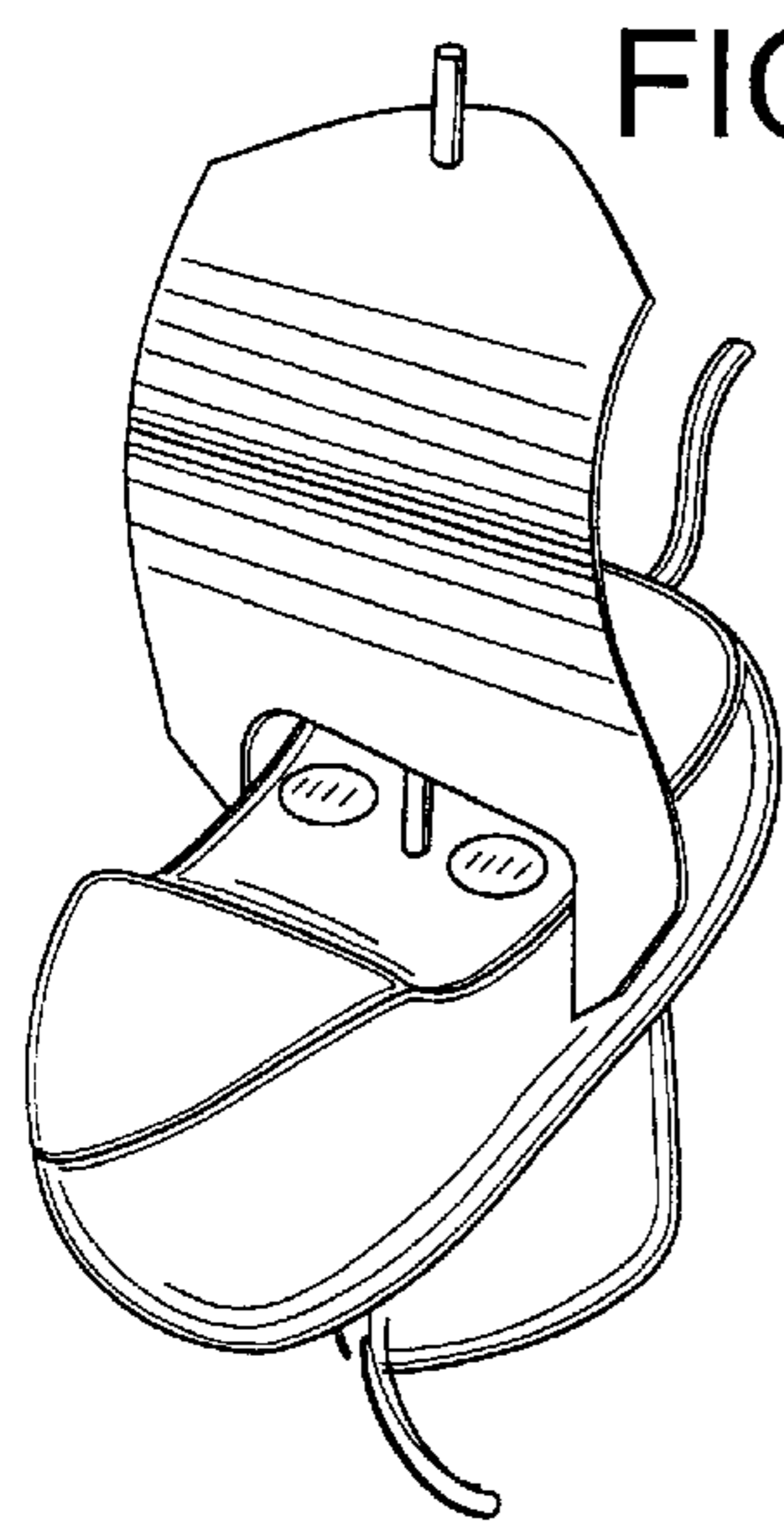


FIG. 1

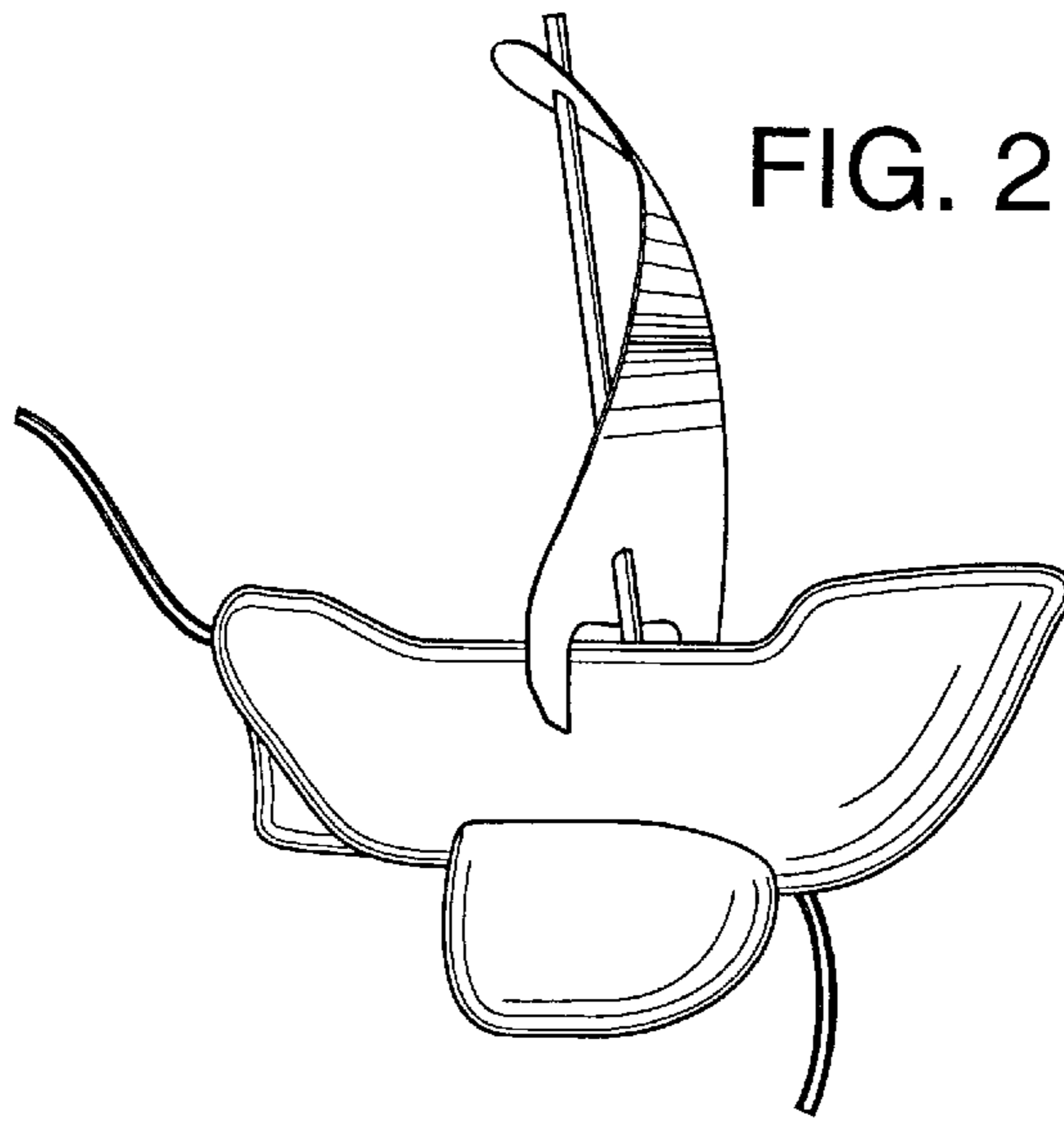


FIG. 2

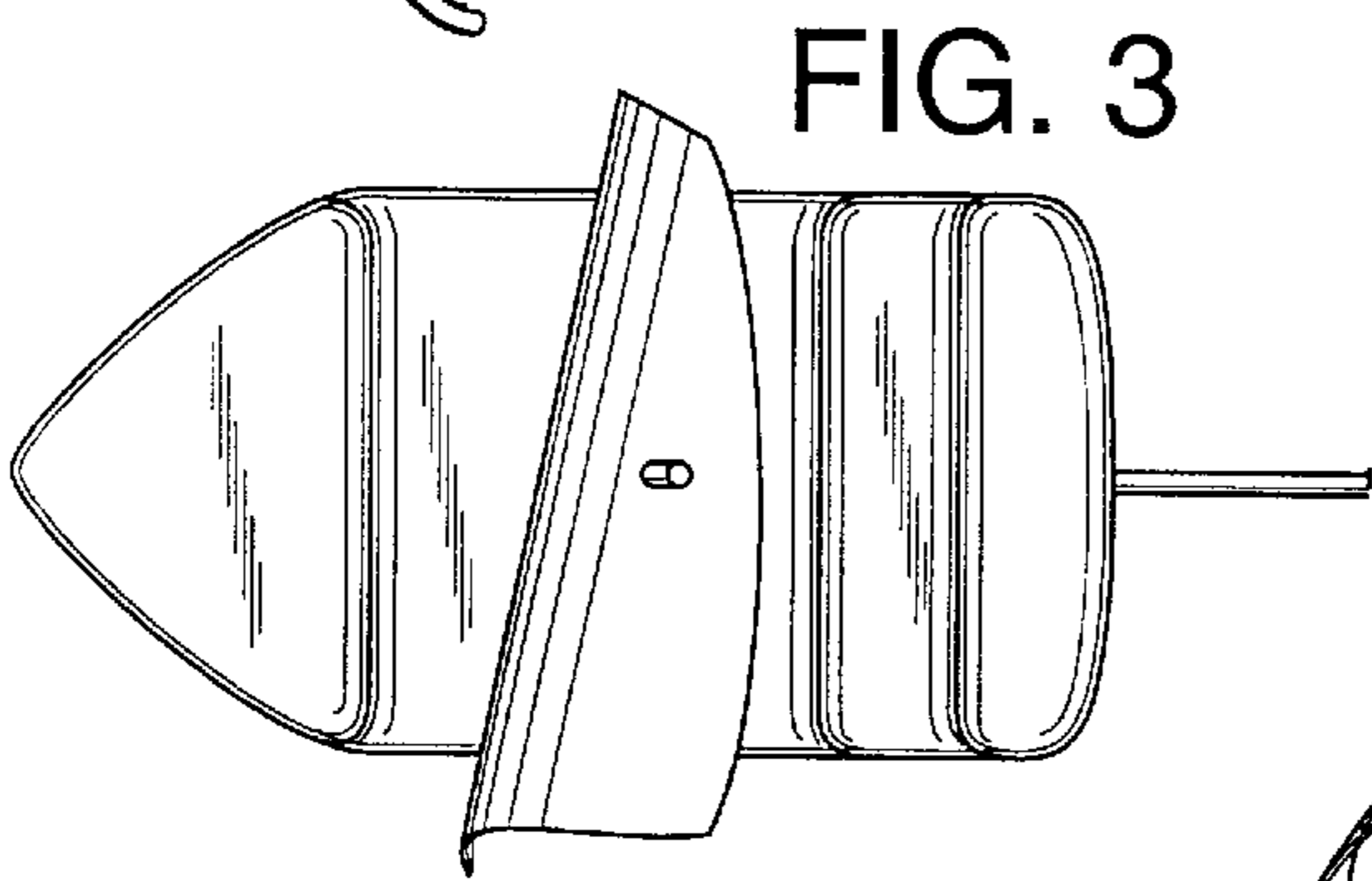


FIG. 3

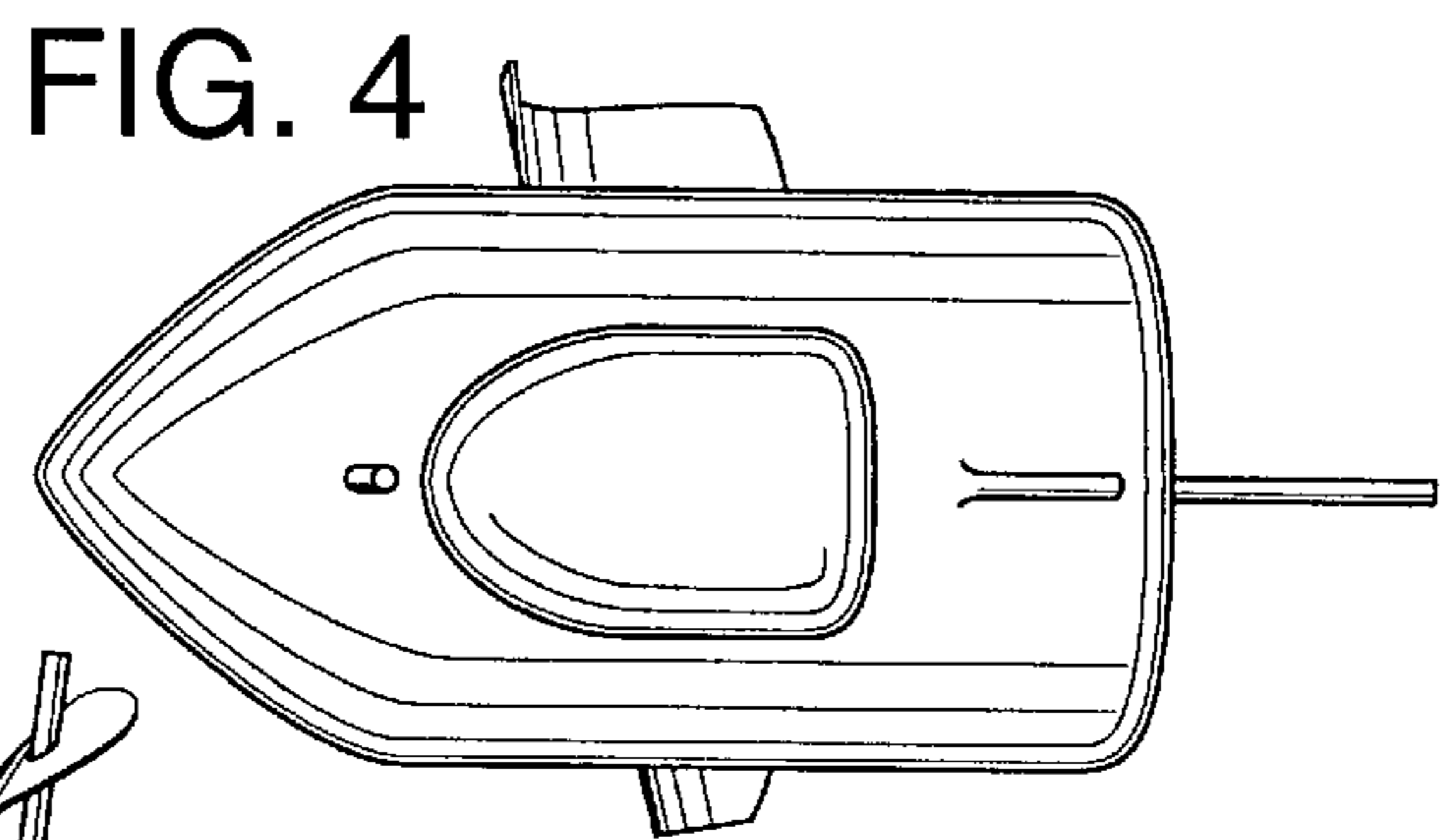


FIG. 4

FIG. 5

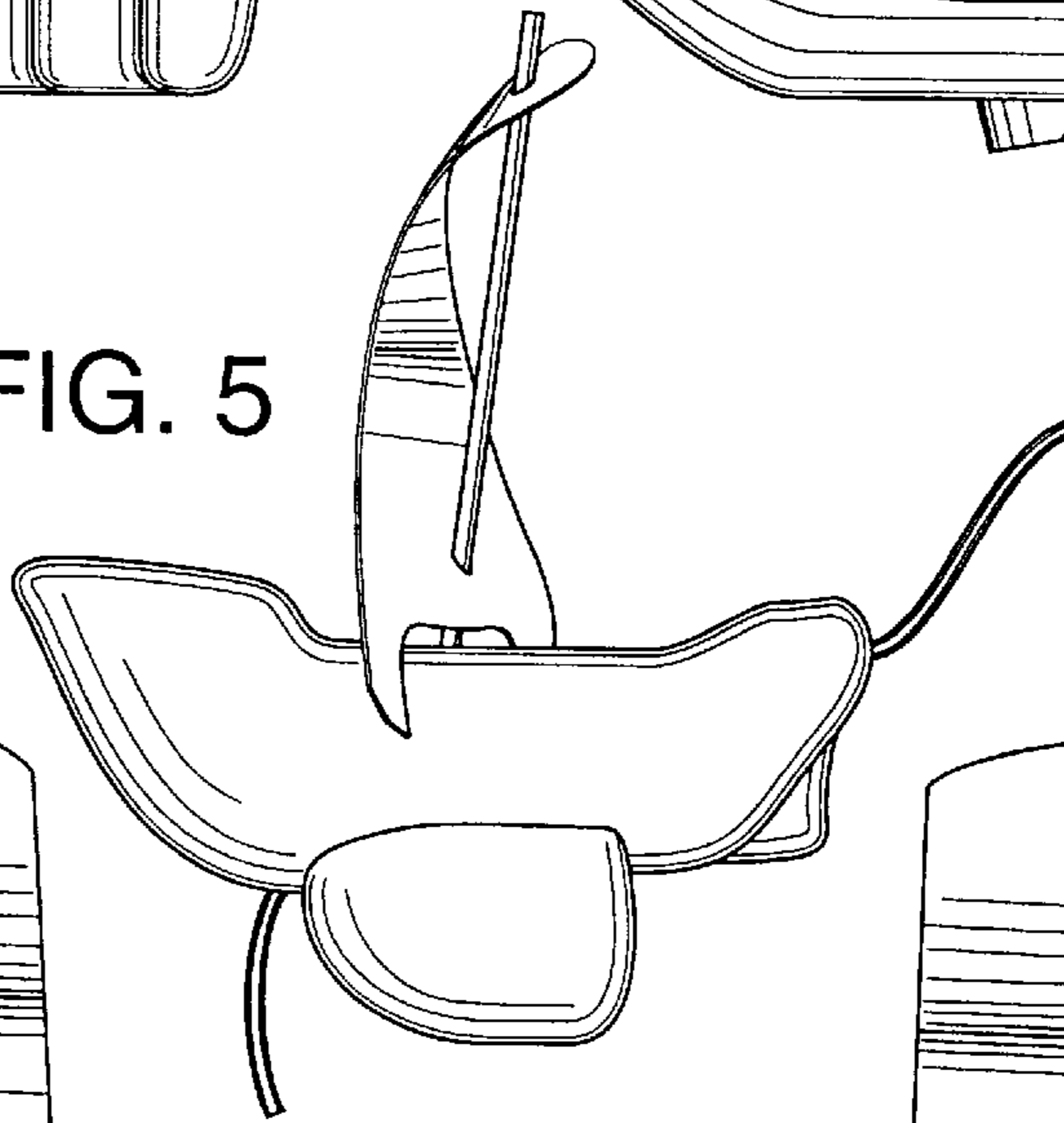


FIG. 6

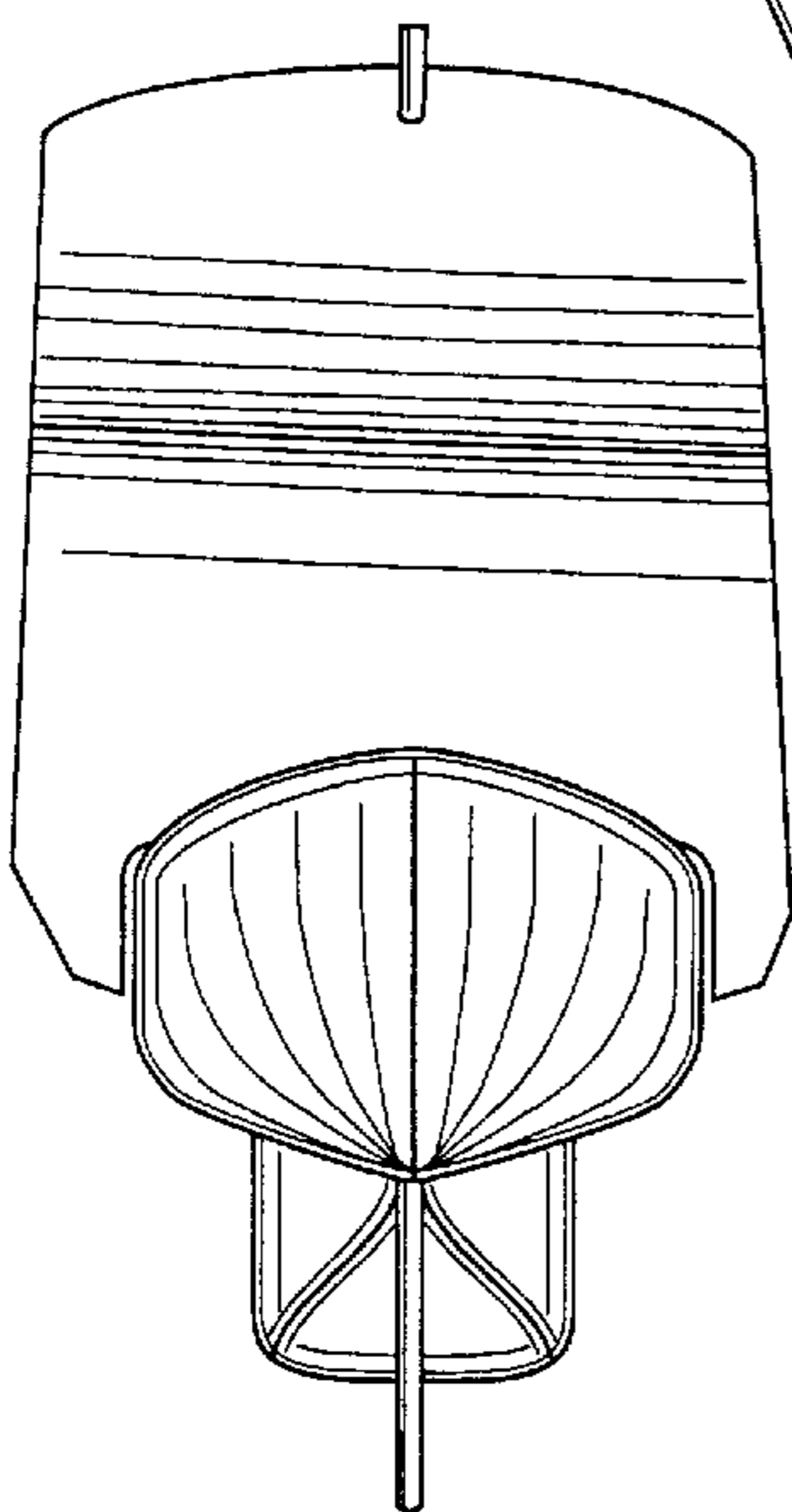


FIG. 7

