



US00D419634S

United States Patent [19]

Kondo et al.

[11] Patent Number: Des. 419,634

[45] Date of Patent: ** Jan. 25, 2000

[54] FISHING REEL HANDLE

[75] Inventors: **Takashi Kondo**, Musashino; **Sakae Kobayashi**; **Hideaki Takahashi**, both of Higashikurume, all of Japan

[73] Assignee: **Daiwa Seiko, Inc.**, Tokyo, Japan

[**] Term: **14 Years**

[21] Appl. No.: **29/099,457**

[22] Filed: **Jan. 21, 1999**

[30] Foreign Application Priority Data

Jul. 22, 1998 [JP] Japan 10-21015

[51] LOC (7) Cl. **22-05**

[52] U.S. Cl. **D22/140**

[58] Field of Search D22/137, 138, D22/139, 140, 141; 43/19, 19.2; 242/370, 223, 224, 311, 234, 235, 236, 237, 238, 239, 240

[56] References Cited

U.S. PATENT DOCUMENTS

- D. 273,317 4/1984 Purcell D22/140
- D. 348,303 6/1994 Kameda et al. D22/140
- D. 369,641 5/1996 Asano et al. D22/140
- D. 374,059 9/1996 Atherton et al. D22/140

Primary Examiner—Louis S. Zarfes
Assistant Examiner—Inga-Maria Hyttinen
Attorney, Agent, or Firm—J. Warren Whitesel; Laff, Whitesel & Saret, Ltd.

[57] CLAIM

The ornamental design for fishing reel handle, as shown and described.

DESCRIPTION

FIG. 1 is a front elevational view of fishing reel handle, showing our new design;
 FIG. 2 is a top plan view thereof;
 FIG. 3 is a bottom plan view thereof;
 FIG. 4 is a left side elevational view thereof;
 FIG. 5 is a right side elevational view thereof;
 FIG. 6 is a cross-sectional view thereof taken along the line 6—6 in FIG. 2;
 FIG. 7 is an enlarged end view thereof taken along the line 7—7 in FIG. 1;
 FIG. 8 is an enlarged end view thereof taken along the line 8—8 in FIG. 1;
 FIG. 9 is an enlarged view thereof taken along the line 9—9 in FIG. 1; and,
 FIG. 10 is an enlarged end view thereof taken along the line 10—10 in FIG. 1.

1 Claim, 2 Drawing Sheets

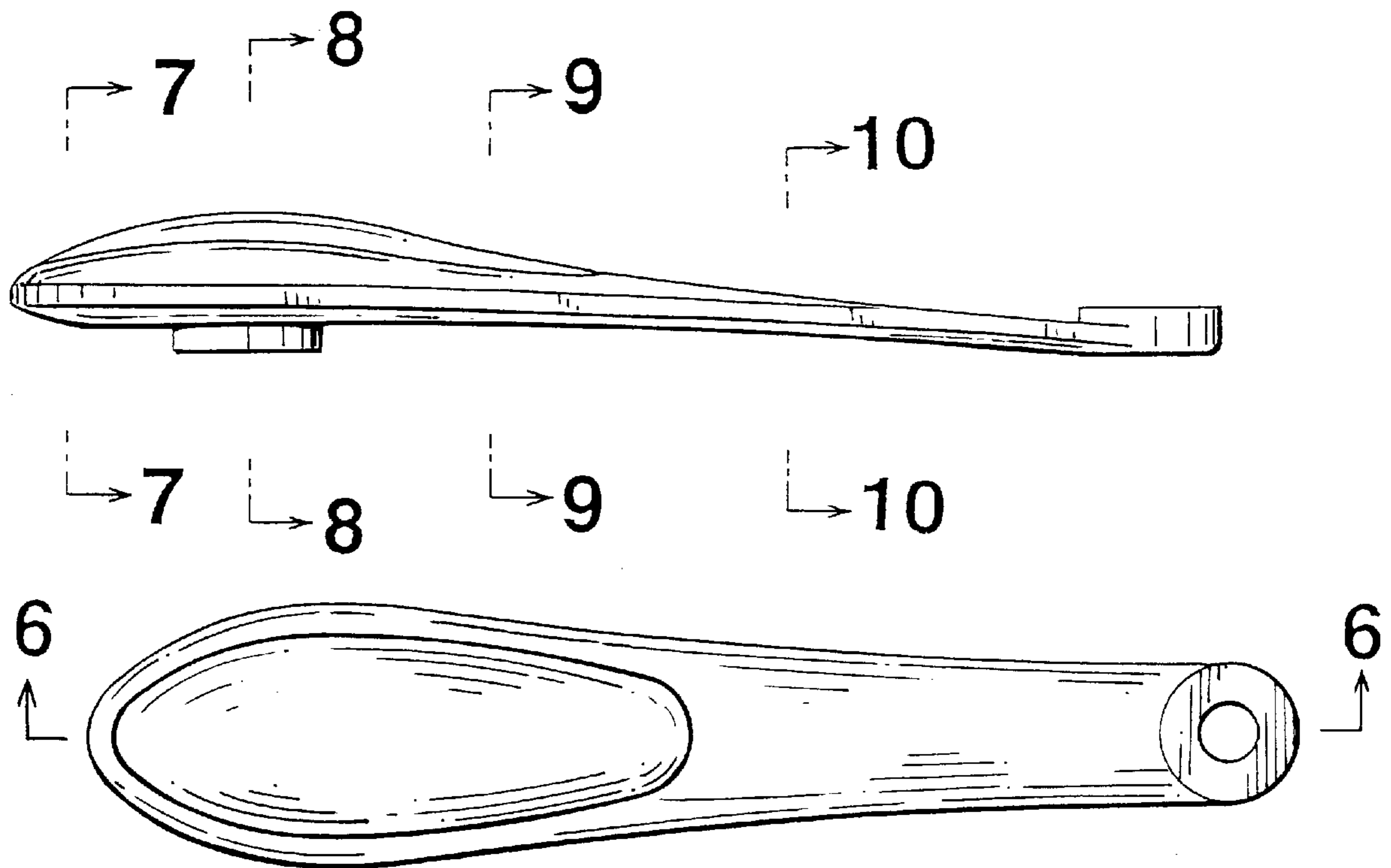


FIG.2

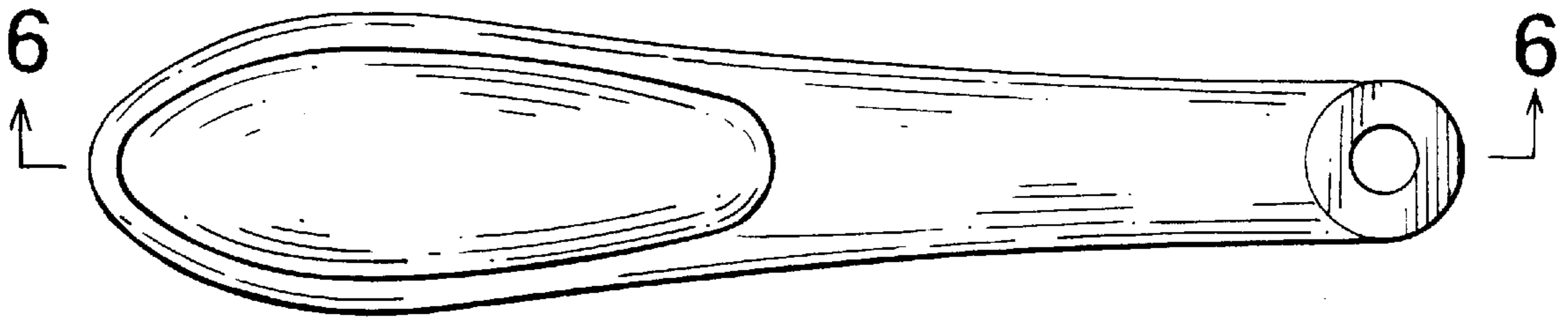


FIG.1

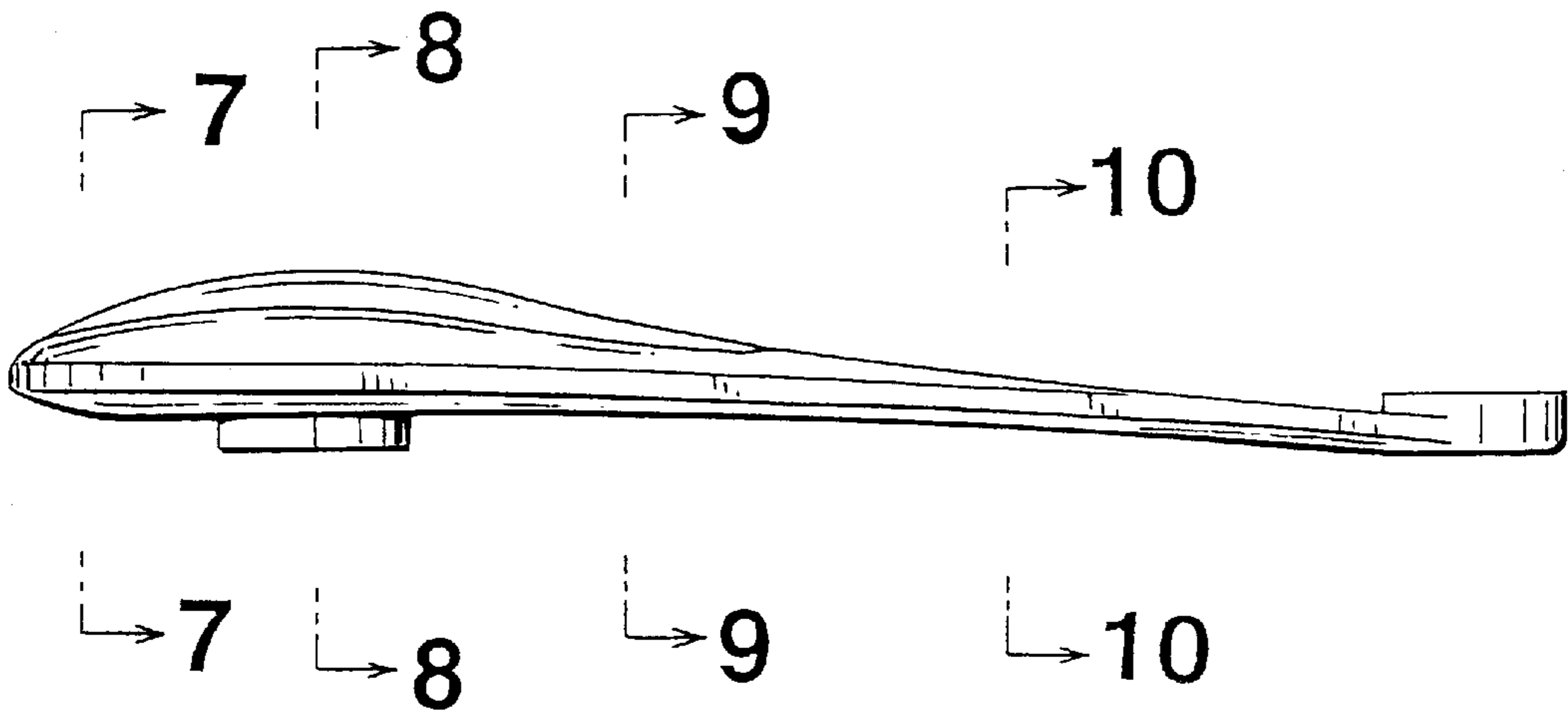


FIG.3

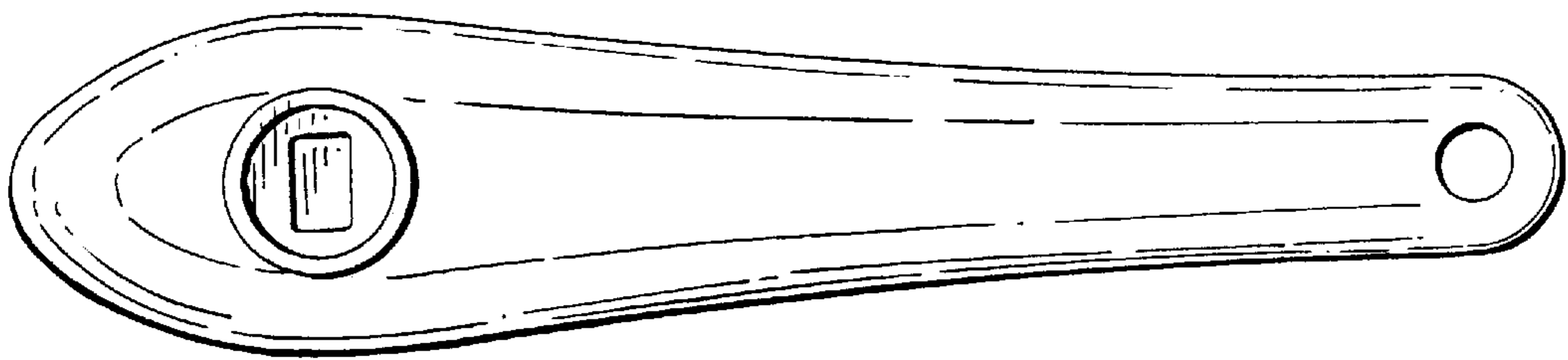


FIG.4

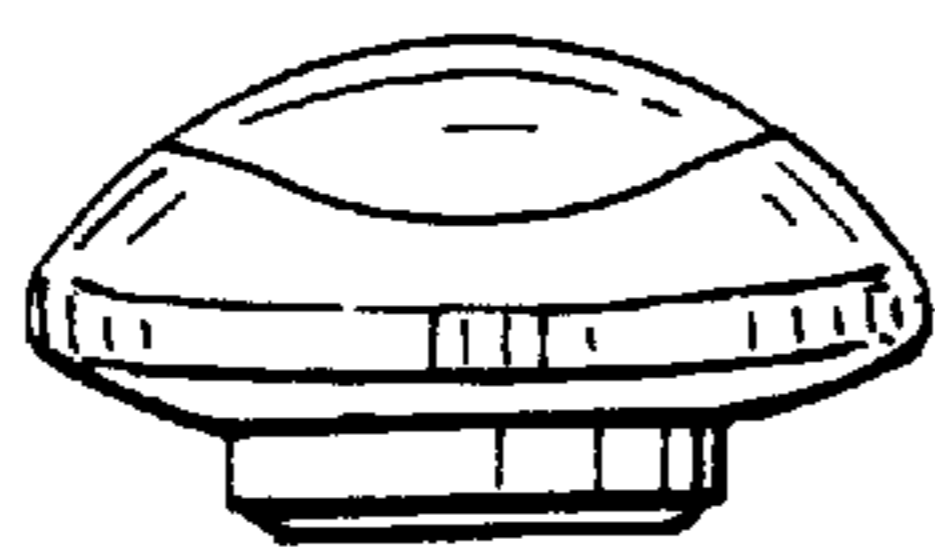


FIG.5

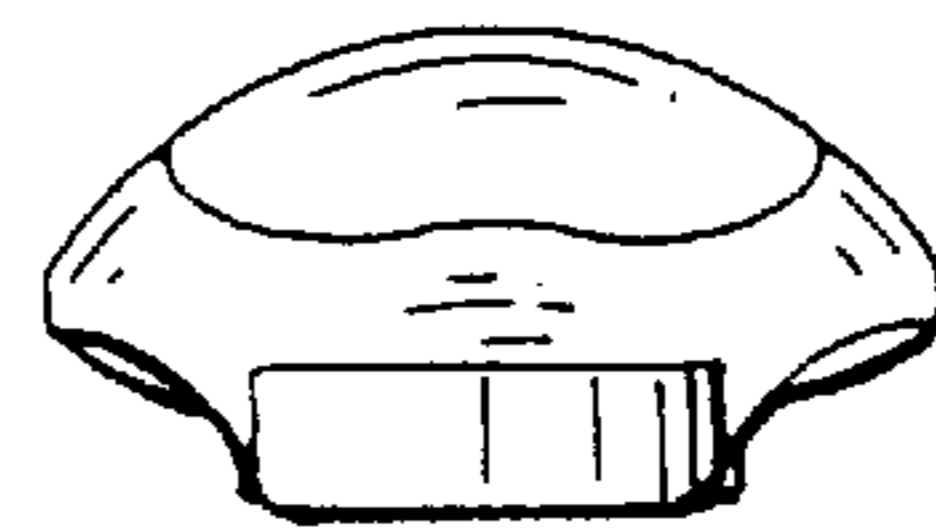


FIG.6

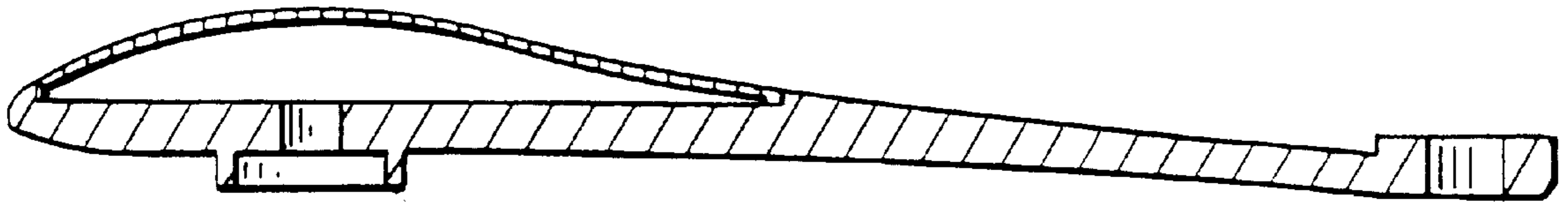


FIG.7

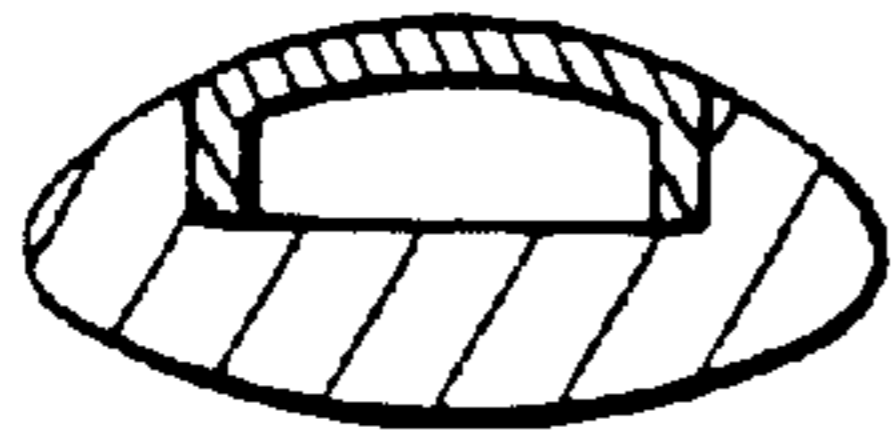


FIG.8

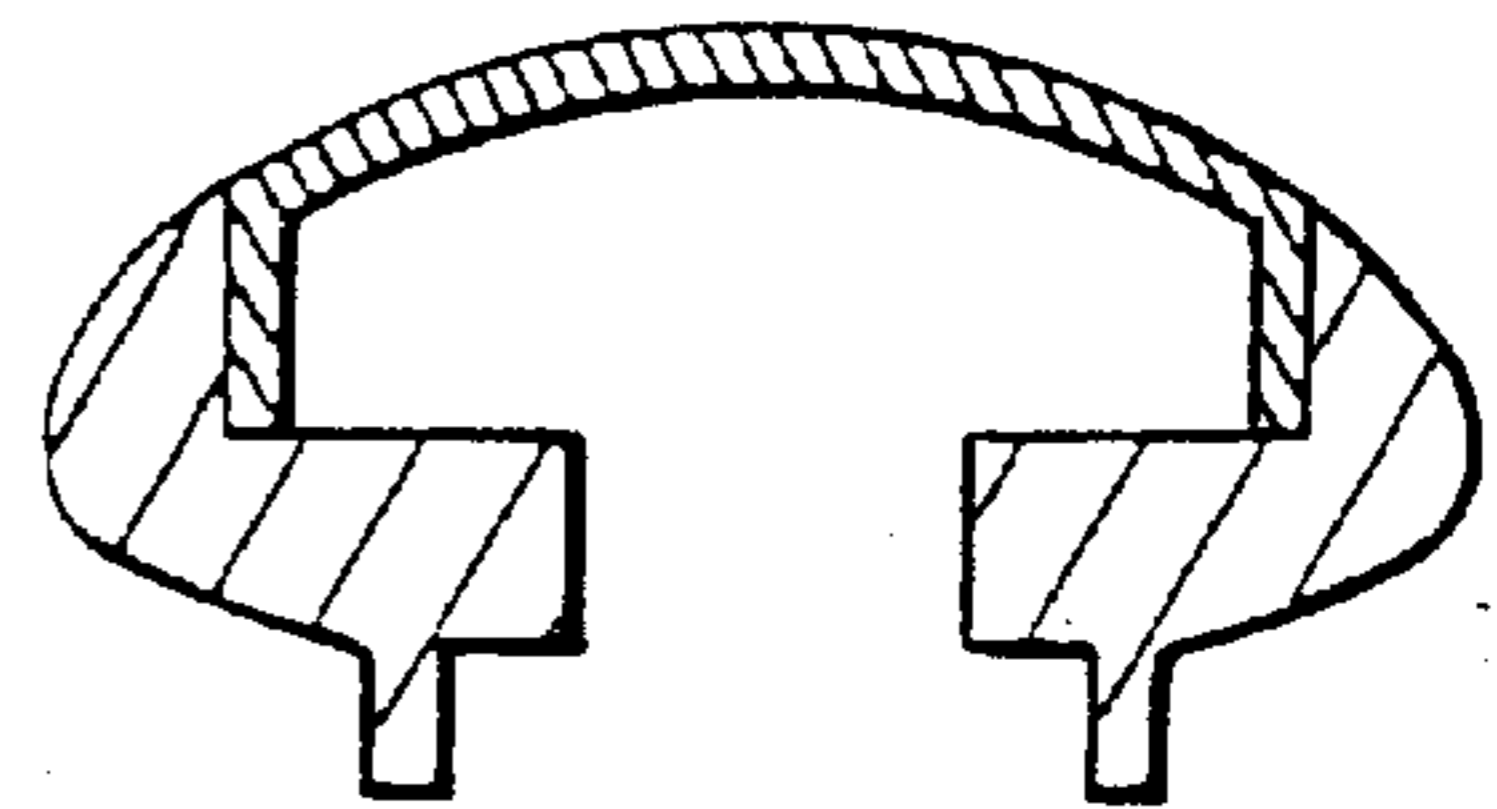


FIG.9

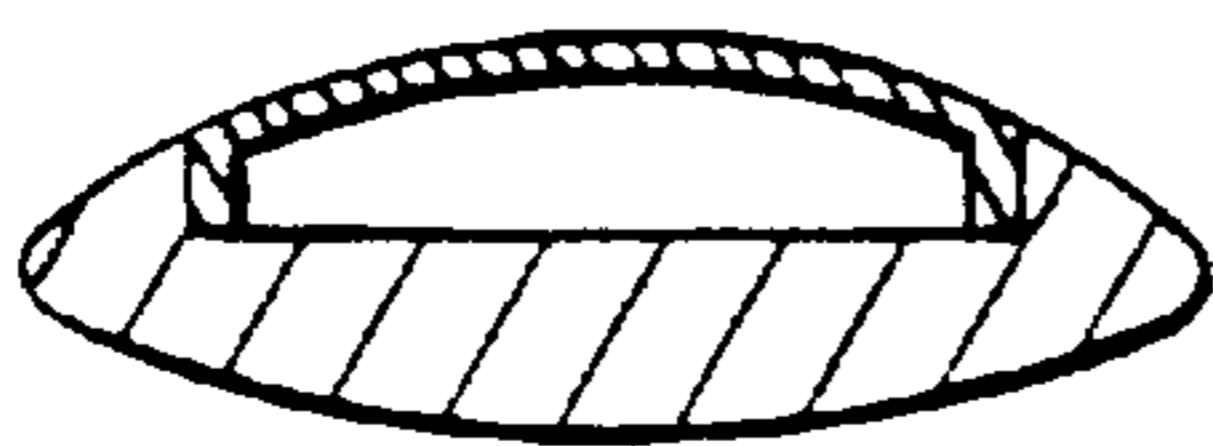


FIG.10

