



US00D419627S

United States Patent [19]
Wheatley

[11] **Patent Number: Des. 419,627**

[45] **Date of Patent: ** Jan. 25, 2000**

[54] **PUTTER HEAD**

[75] Inventor: **Shaun Wheatley**, Wethersfield, Conn.

[73] Assignee: **Ashdown Golf, LLC**, Newington, Conn.

[**] Term: **14 Years**

[21] Appl. No.: **29/099,607**

[22] Filed: **Jan. 25, 1999**

[51] **LOC (7) Cl.** **21-02**

[52] **U.S. Cl.** **D21/743**

[58] **Field of Search** D21/736-746;
473/251-256, 324, 340, 341, 329-331

[56] **References Cited**

U.S. PATENT DOCUMENTS

D. 207,228	3/1967	Solheim	D21/743
D. 356,844	3/1995	Solheim et al.	D21/742
D. 393,892	4/1998	Duclos	D21/746
D. 400,608	11/1998	Drossos	.	

OTHER PUBLICATIONS

Golf Day; p. 11; Popular style putters, item "A", Jul. 1994.

Primary Examiner—Mitchell Siegel

Attorney, Agent, or Firm—Pepe & Hazard LLC

[57] **CLAIM**

The ornamental design for a putter head, as shown and described.

DESCRIPTION

FIG. 1 is a front perspective view of a putter head showing my new design, the broken line showing of a fragmented shaft is for illustrative purposes only and forms no part of the claimed design;

FIG. 2 is a rear perspective view of the putter head; FIG. 3 is a front elevational view thereof; FIG. 4 is a rear elevational view thereof; FIG. 5 is a top view thereof; FIG. 6 is a bottom view thereof; FIG. 7 is an elevational view of the side thereof seen in FIG. 2.

FIG. 8 is an elevational view of the side thereof seen in FIG. 1;

FIG. 9 is a front perspective view of a second embodiment of a putter head, the broken line showing of a fragmented shaft is for illustrative purposes only and forms no part of the claimed design;

FIG. 10 is a rear perspective view thereof;

FIG. 11 is a front elevational view thereof;

FIG. 12 is a rear elevational view thereof;

FIG. 13 is a top view thereof;

FIG. 14 is a bottom view thereof;

FIG. 15 is an elevational view of the side thereof seen in FIG. 10;

FIG. 16 is an elevational view of the side thereof seen in FIG. 9;

FIG. 17 is a front perspective view of a third embodiment of a putter head, the broken line showing of a fragmented shaft is for illustrative purposes only and forms no part of the claimed design;

FIG. 18 is a rear perspective view thereof;

Fig. 19 is a front elevational view thereof;

FIG. 20 is a rear elevational view thereof;

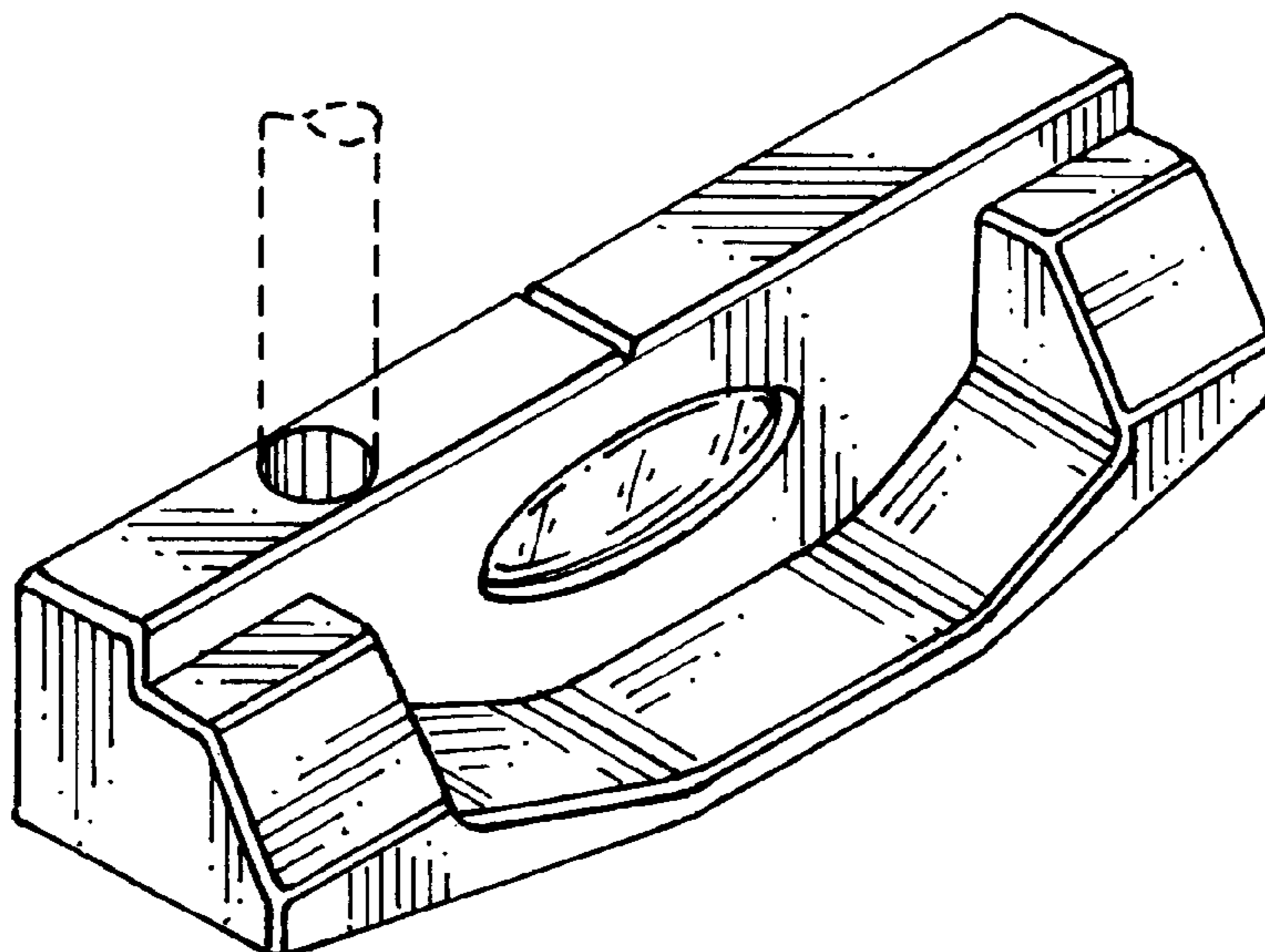
FIG. 21 is a top view thereof;

FIG. 22 is a bottom view thereof;

FIG. 23 is an elevational view of the side thereof seen in FIG. 18; and,

FIG. 24 is an elevational view of the side thereof seen in FIG. 17.

1 Claim, 3 Drawing Sheets



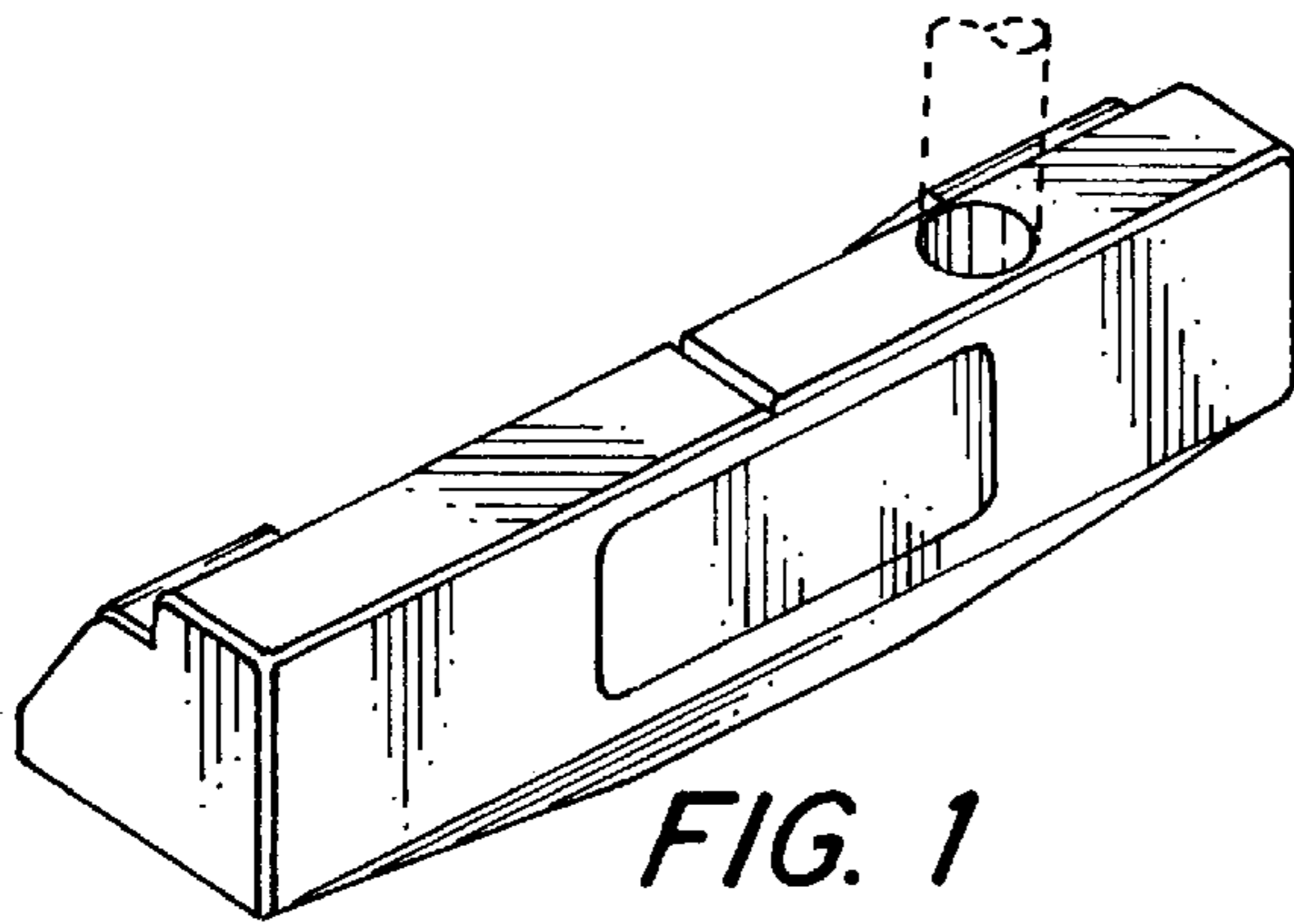


FIG. 1

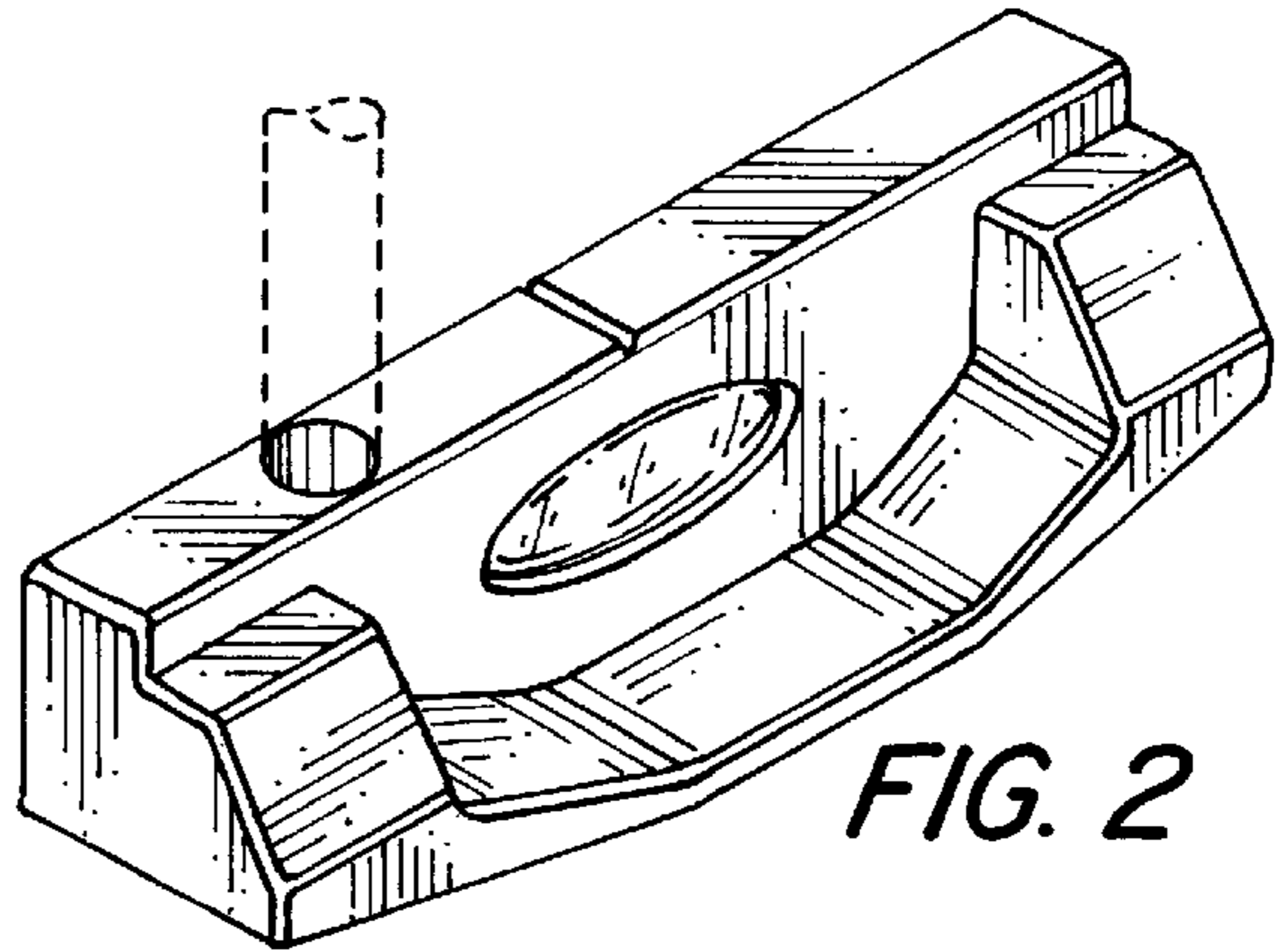


FIG. 2

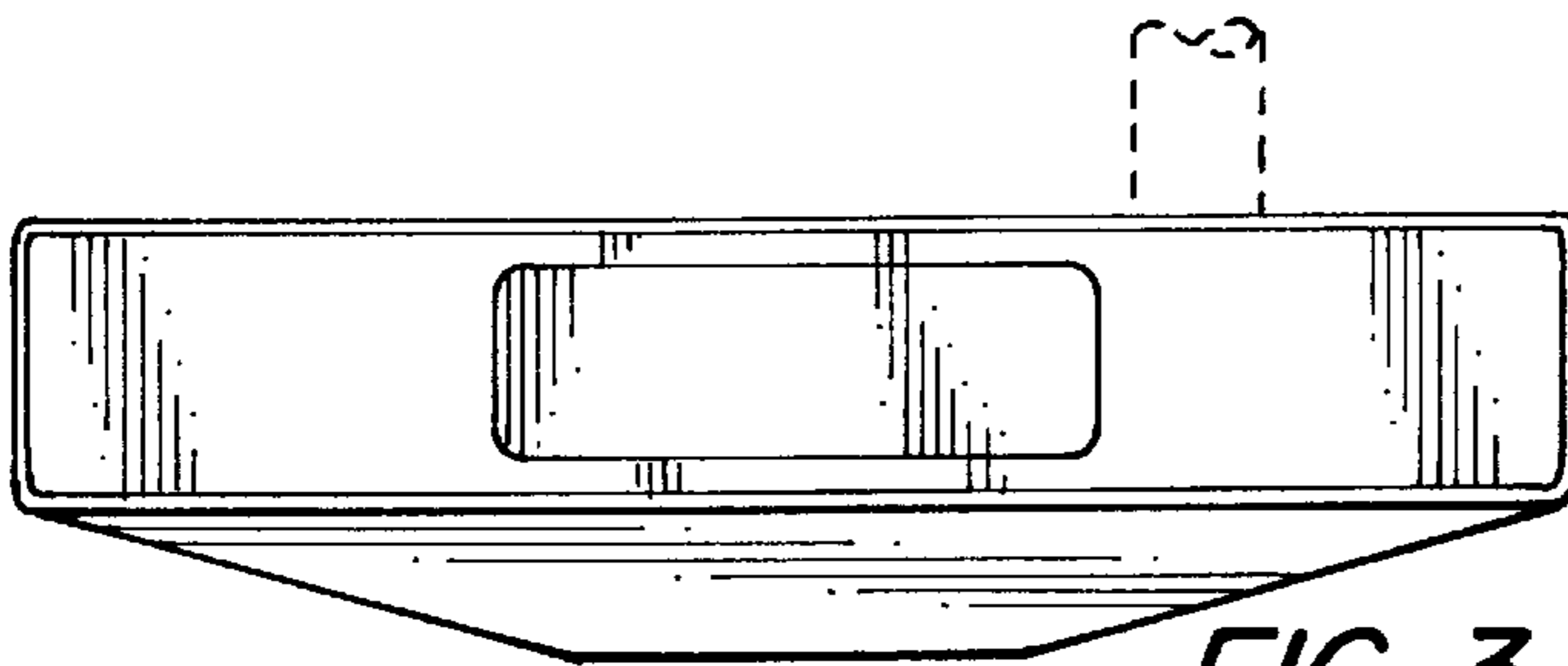


FIG. 3

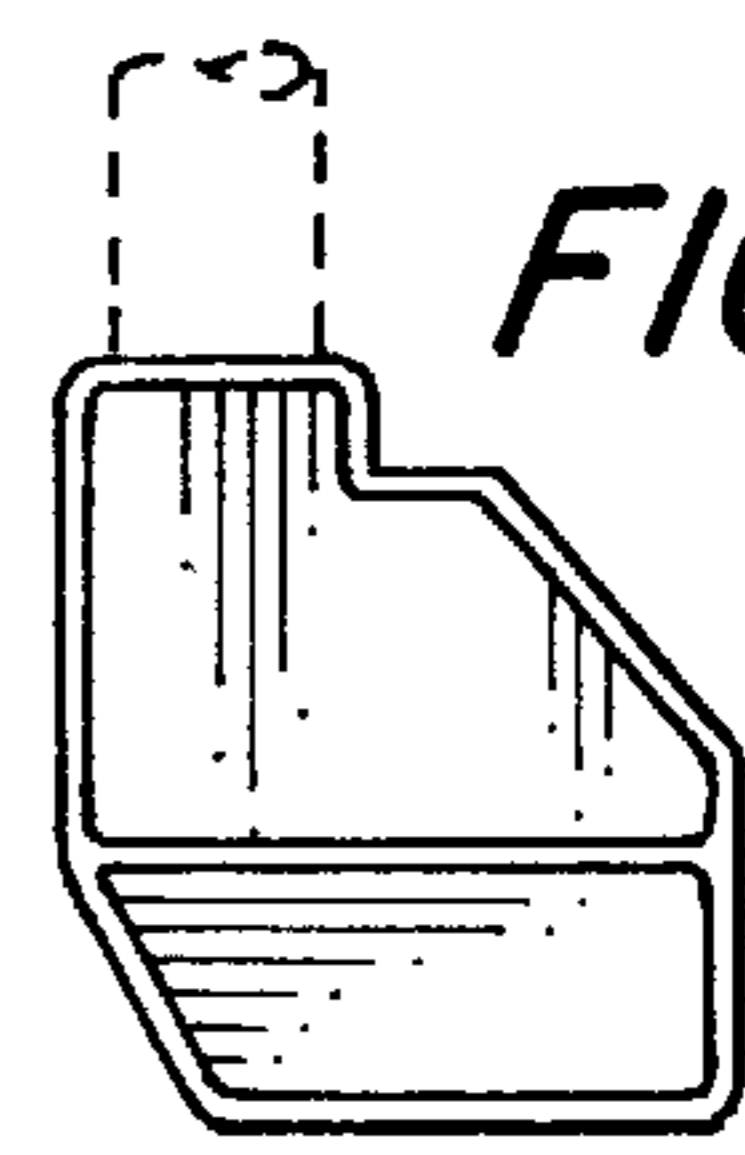


FIG. 7

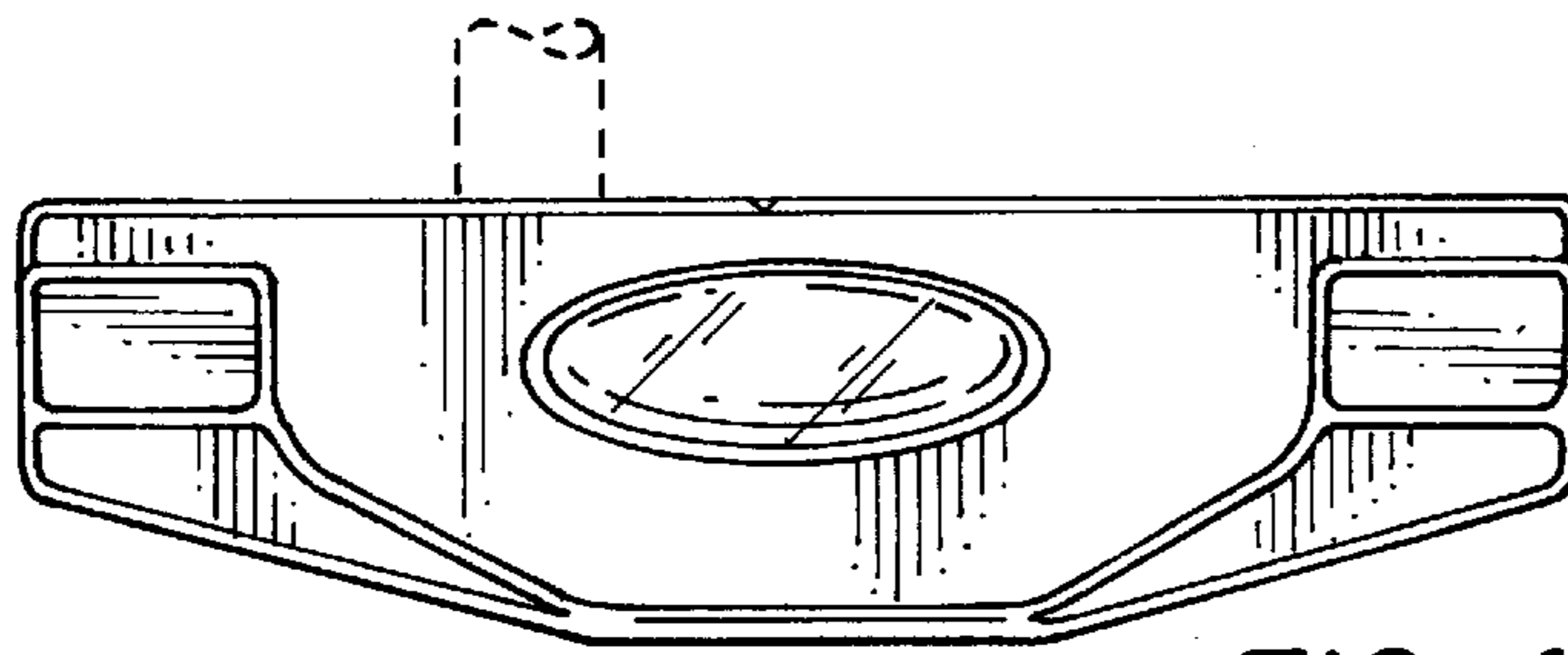


FIG. 4

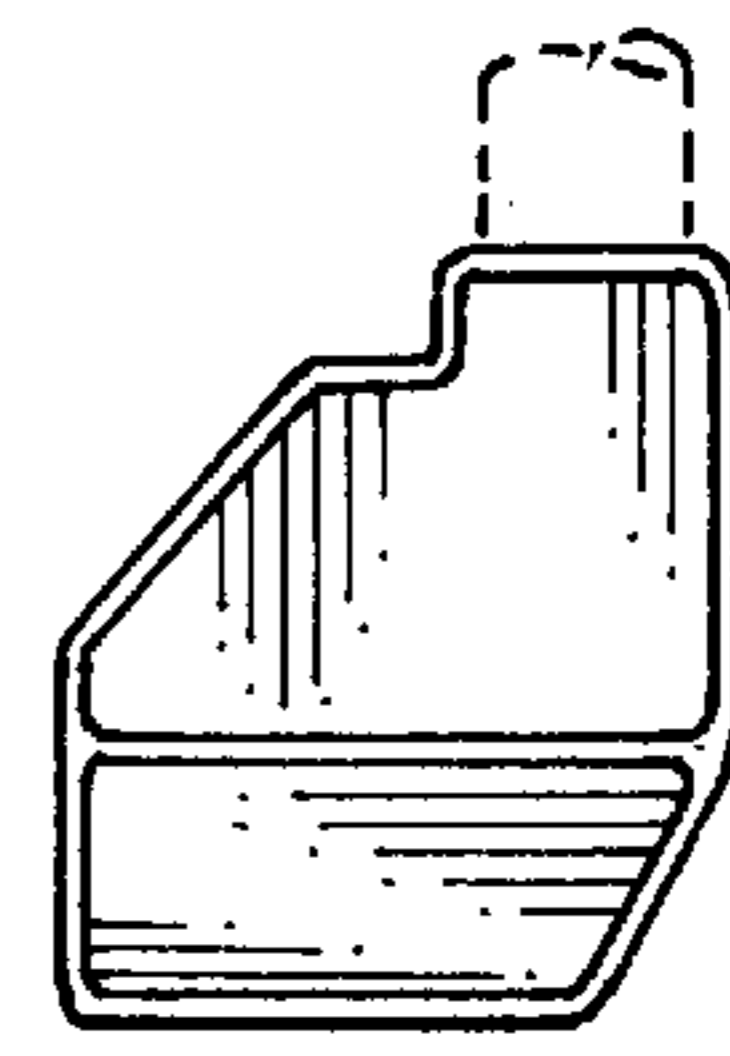


FIG. 8

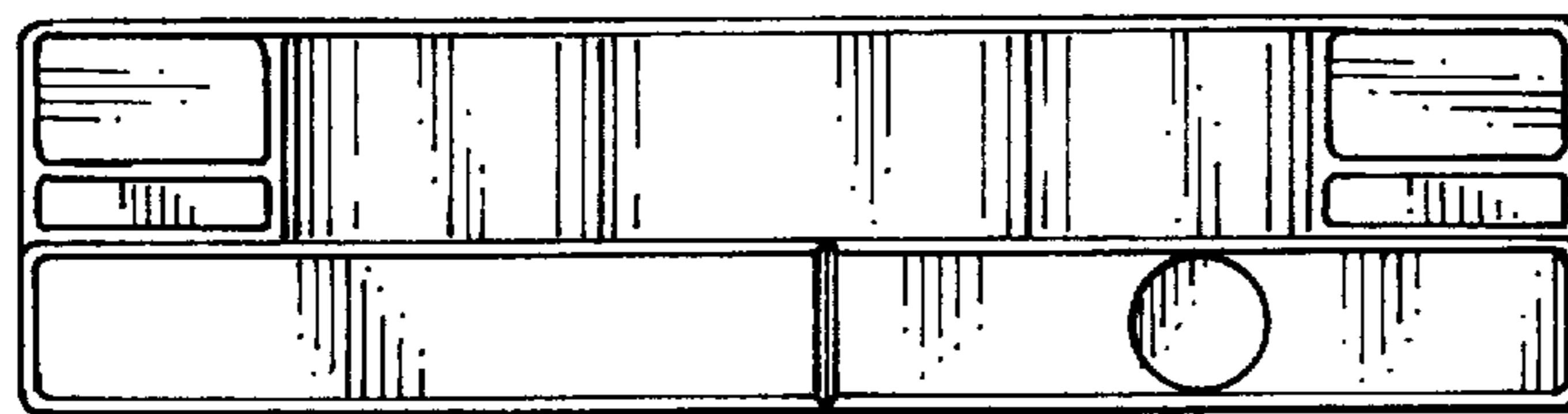


FIG. 5

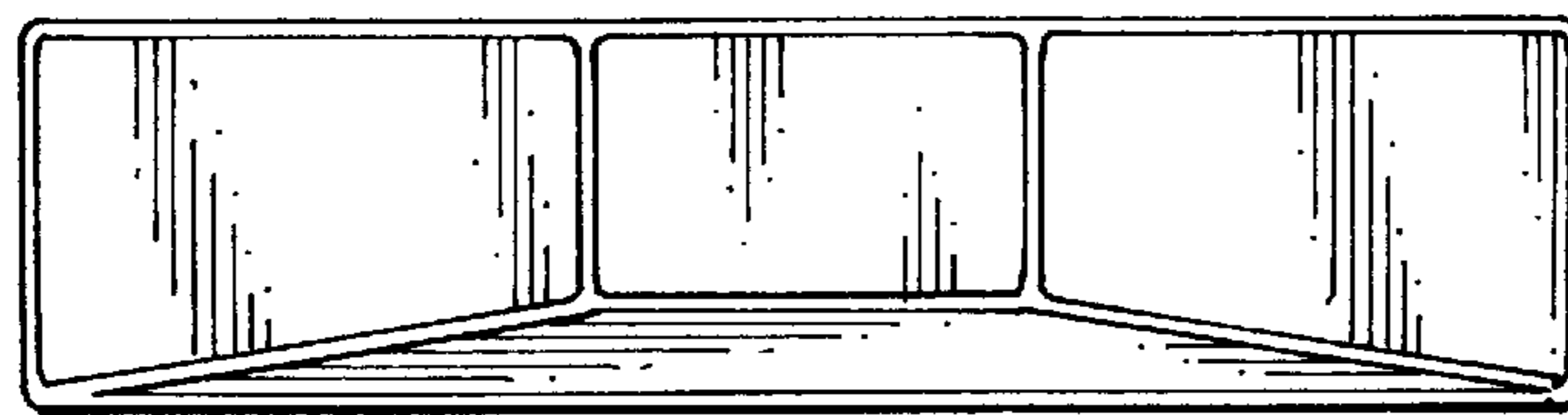


FIG. 6

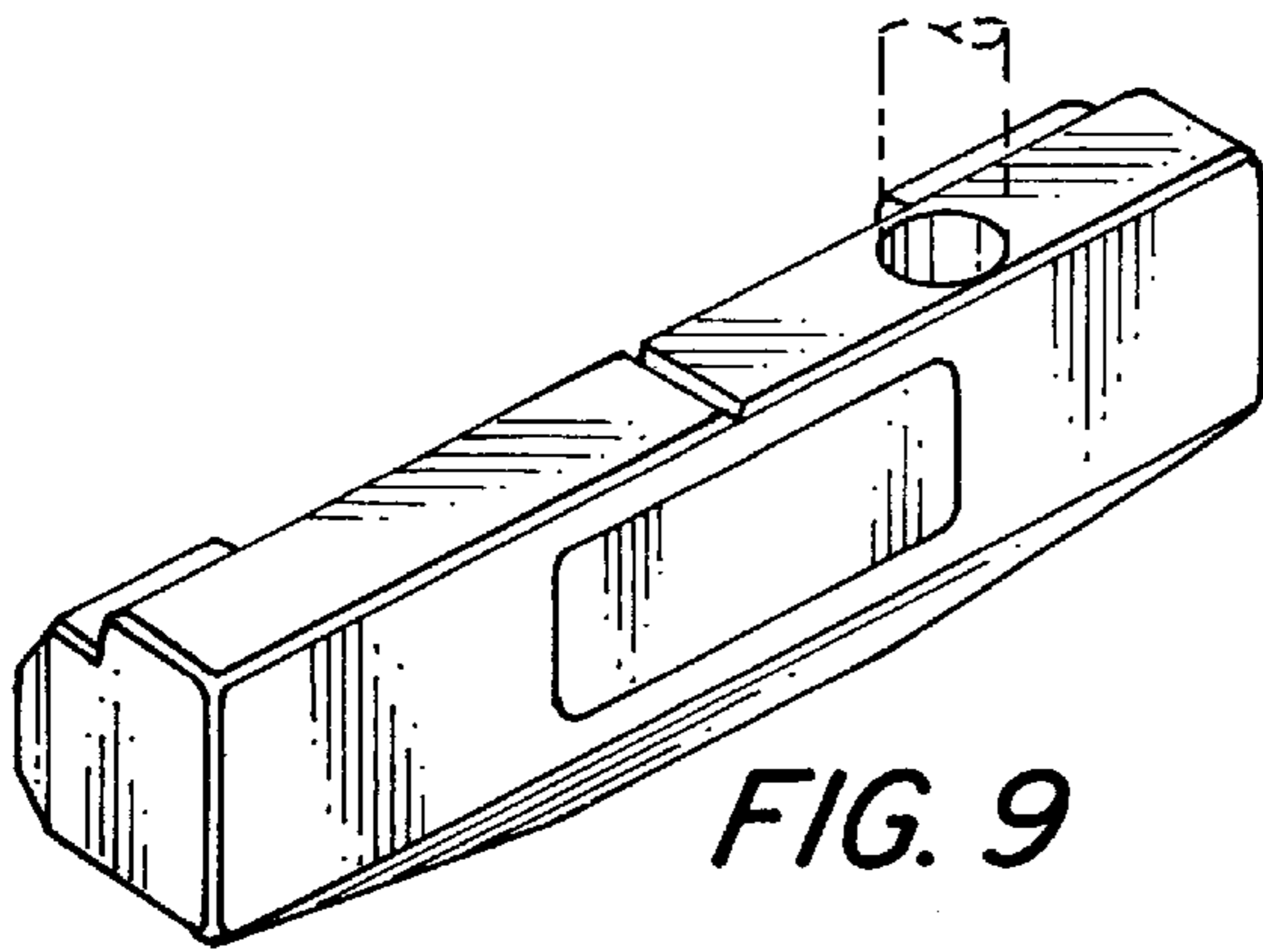


FIG. 9

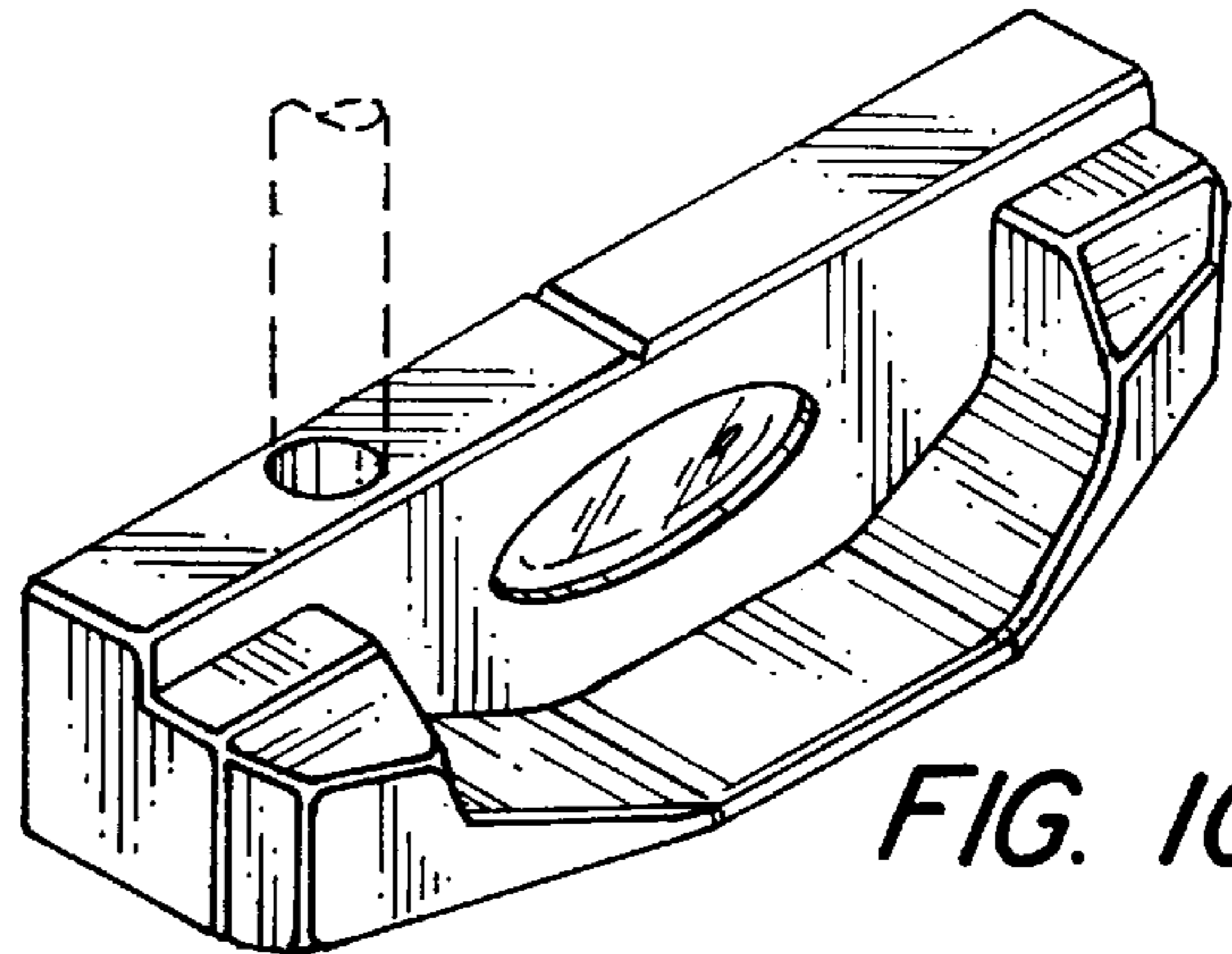


FIG. 10

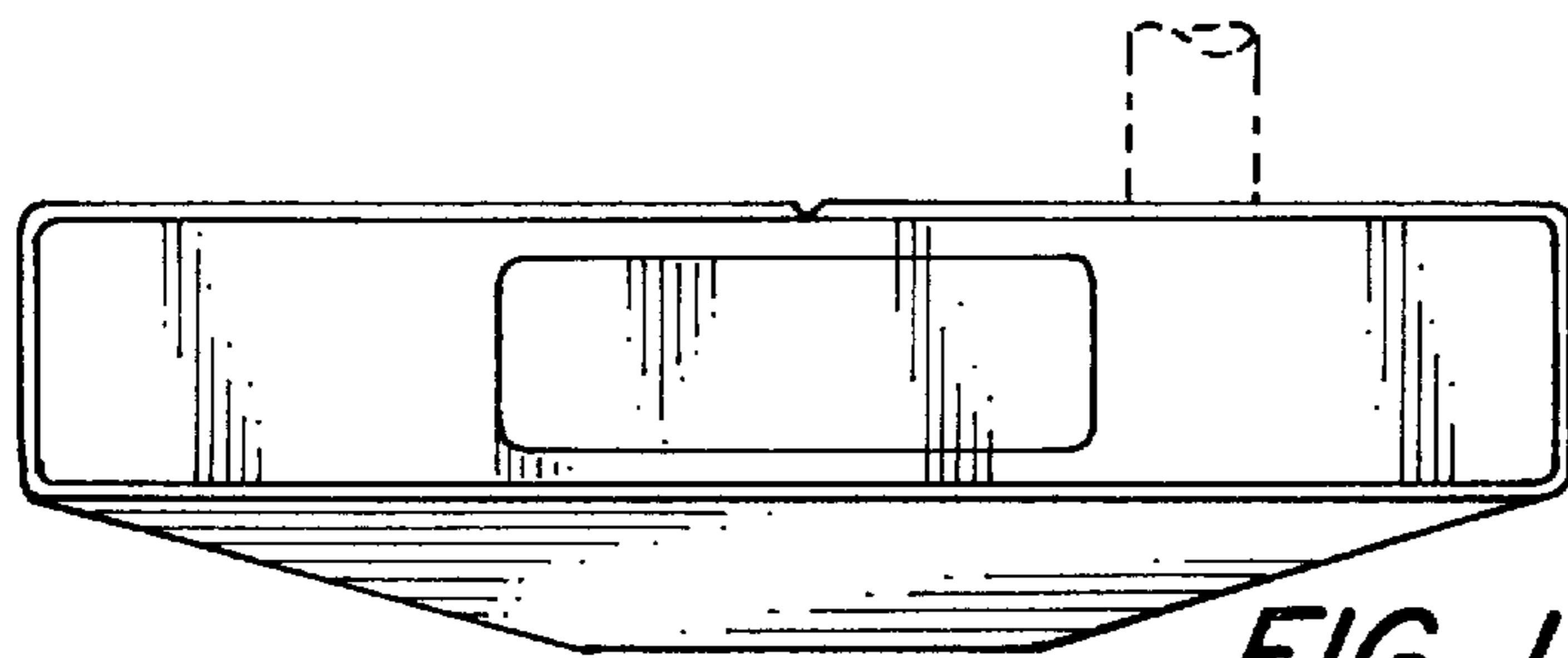


FIG. 11

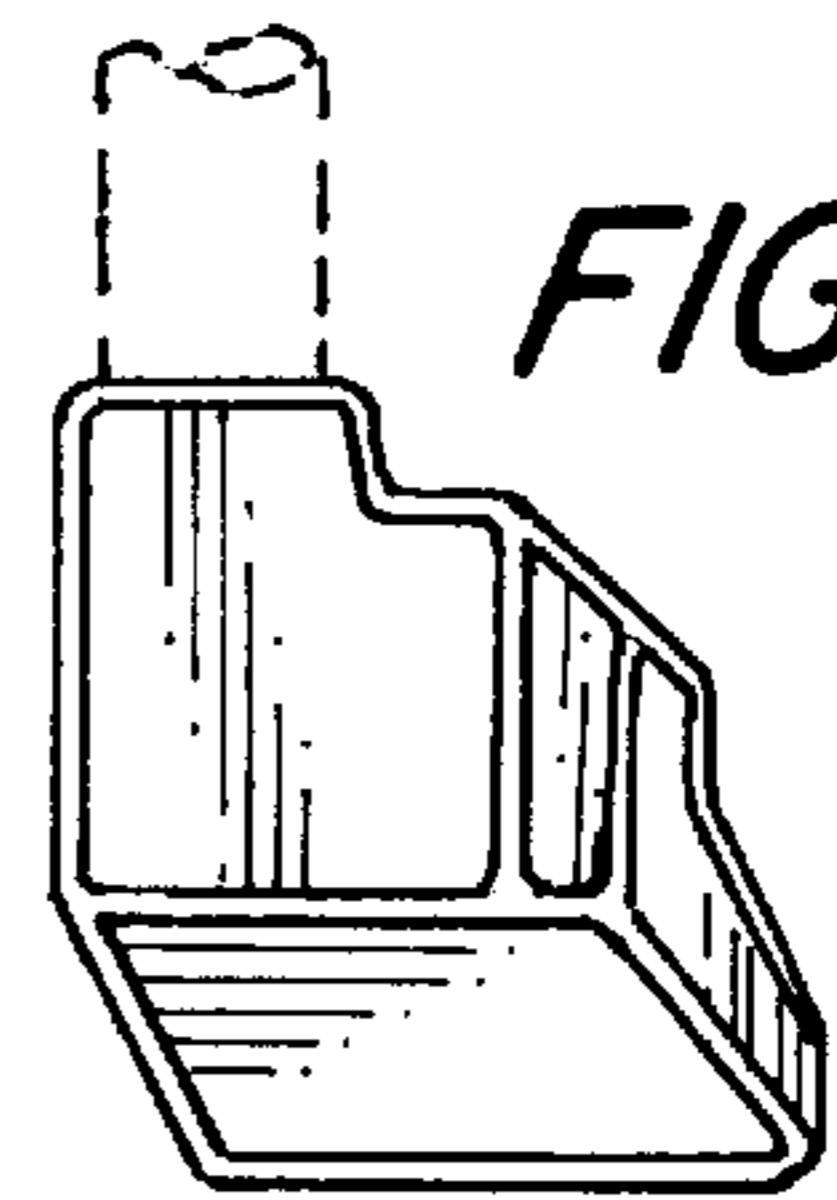


FIG. 15

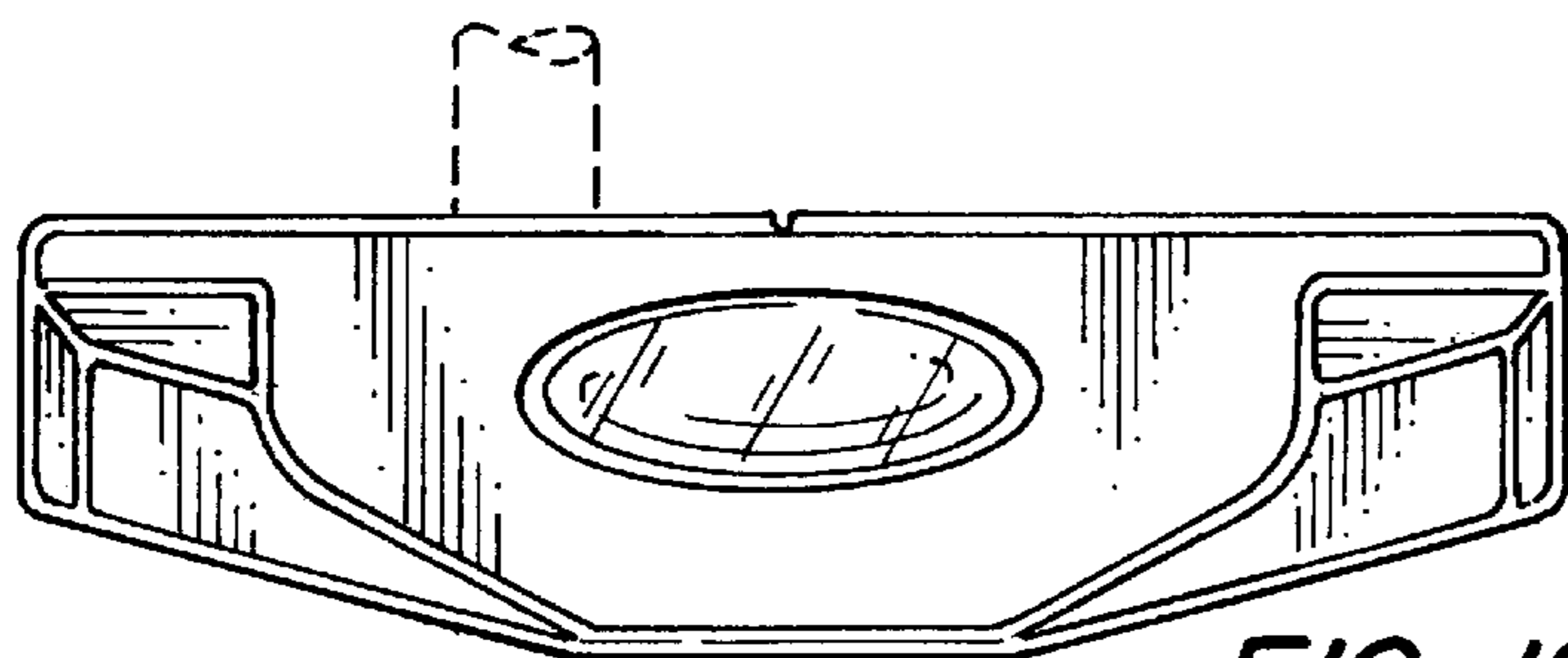


FIG. 12

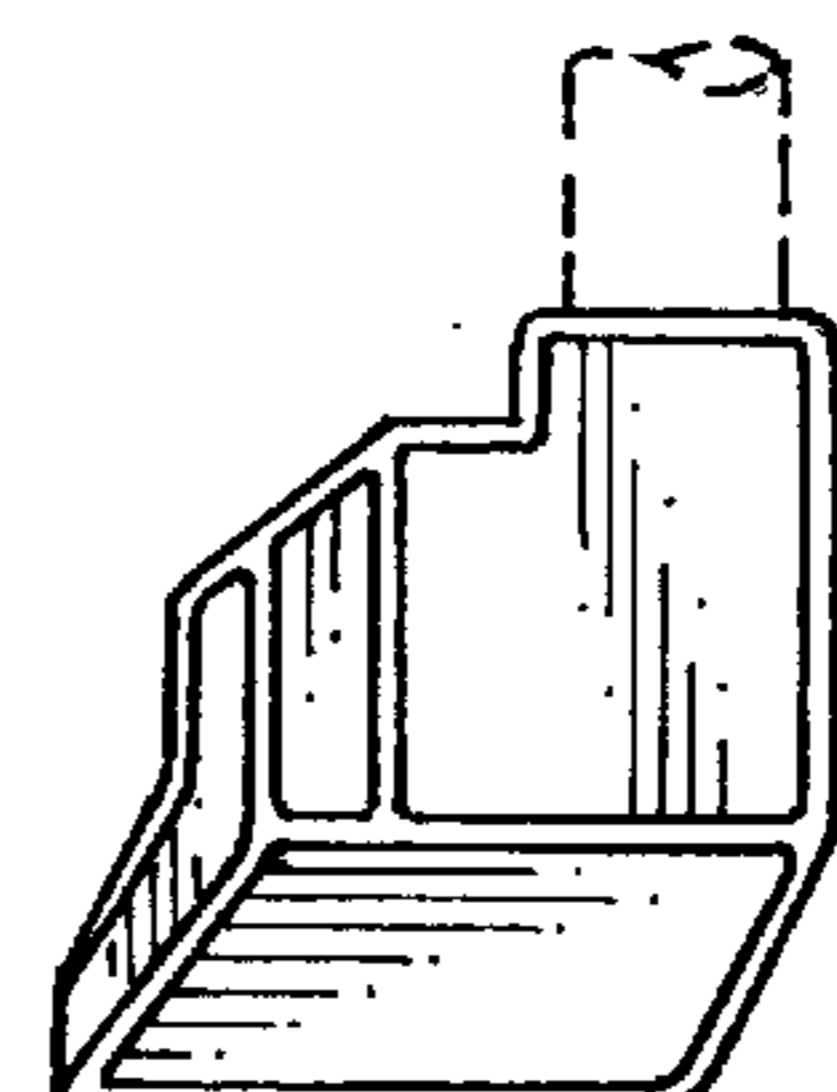


FIG. 16

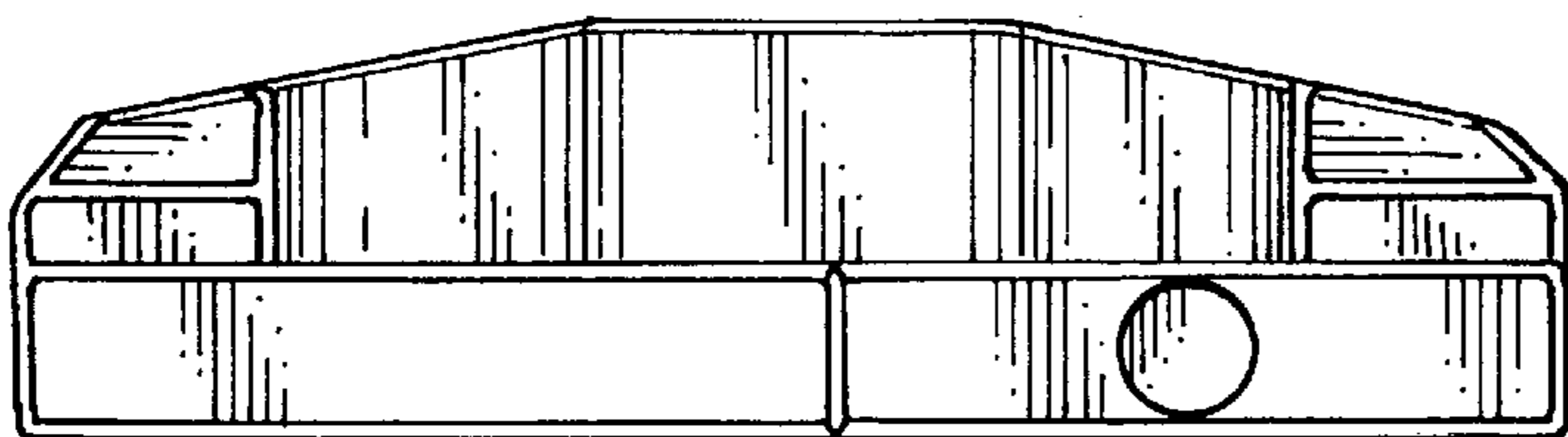


FIG. 13

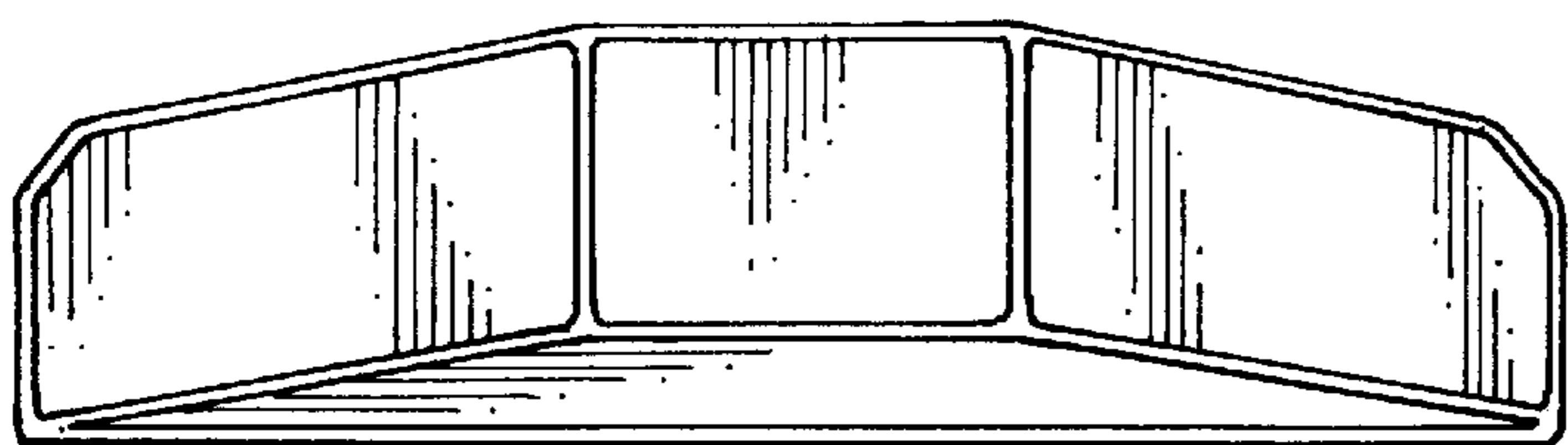


FIG. 14

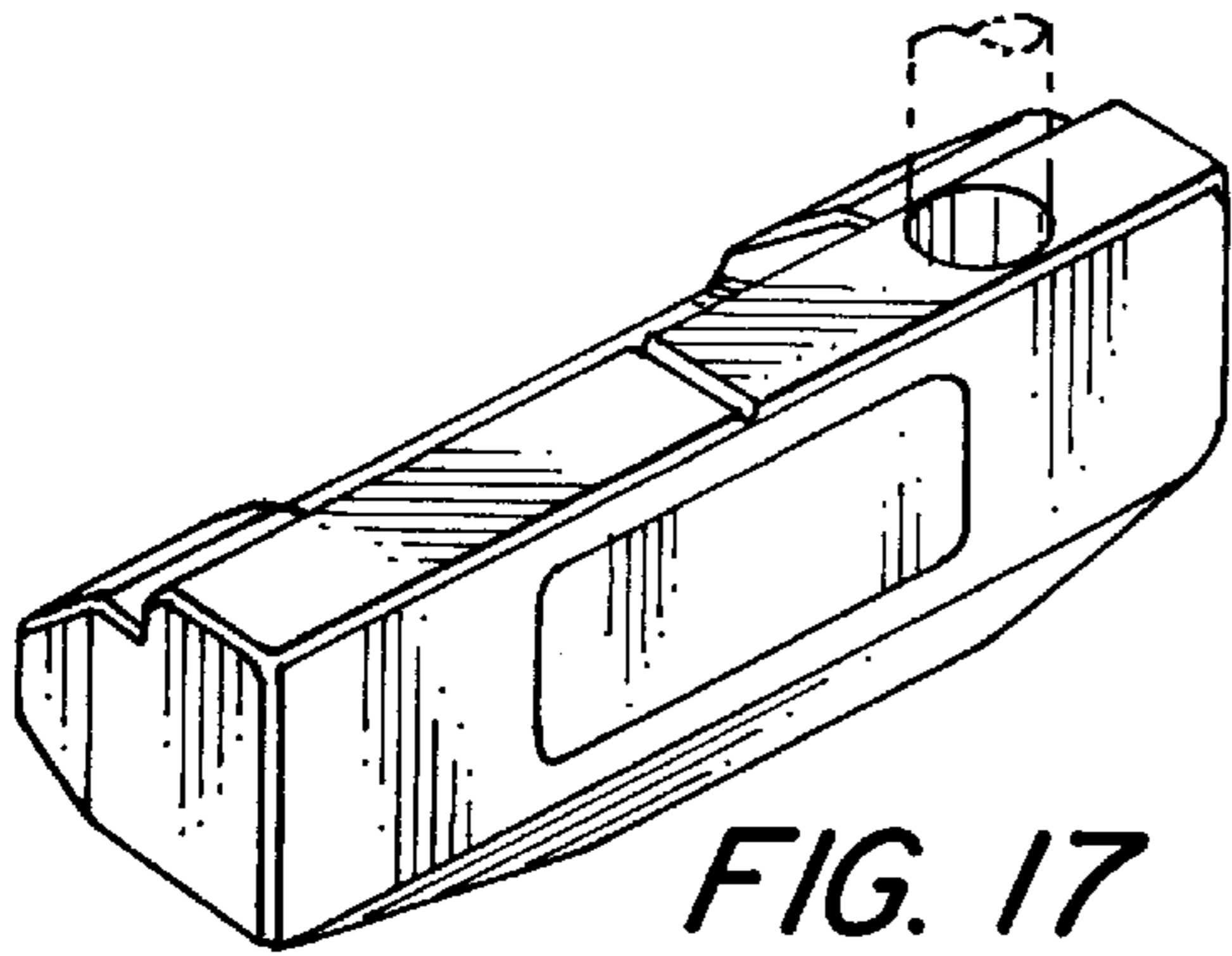


FIG. 17

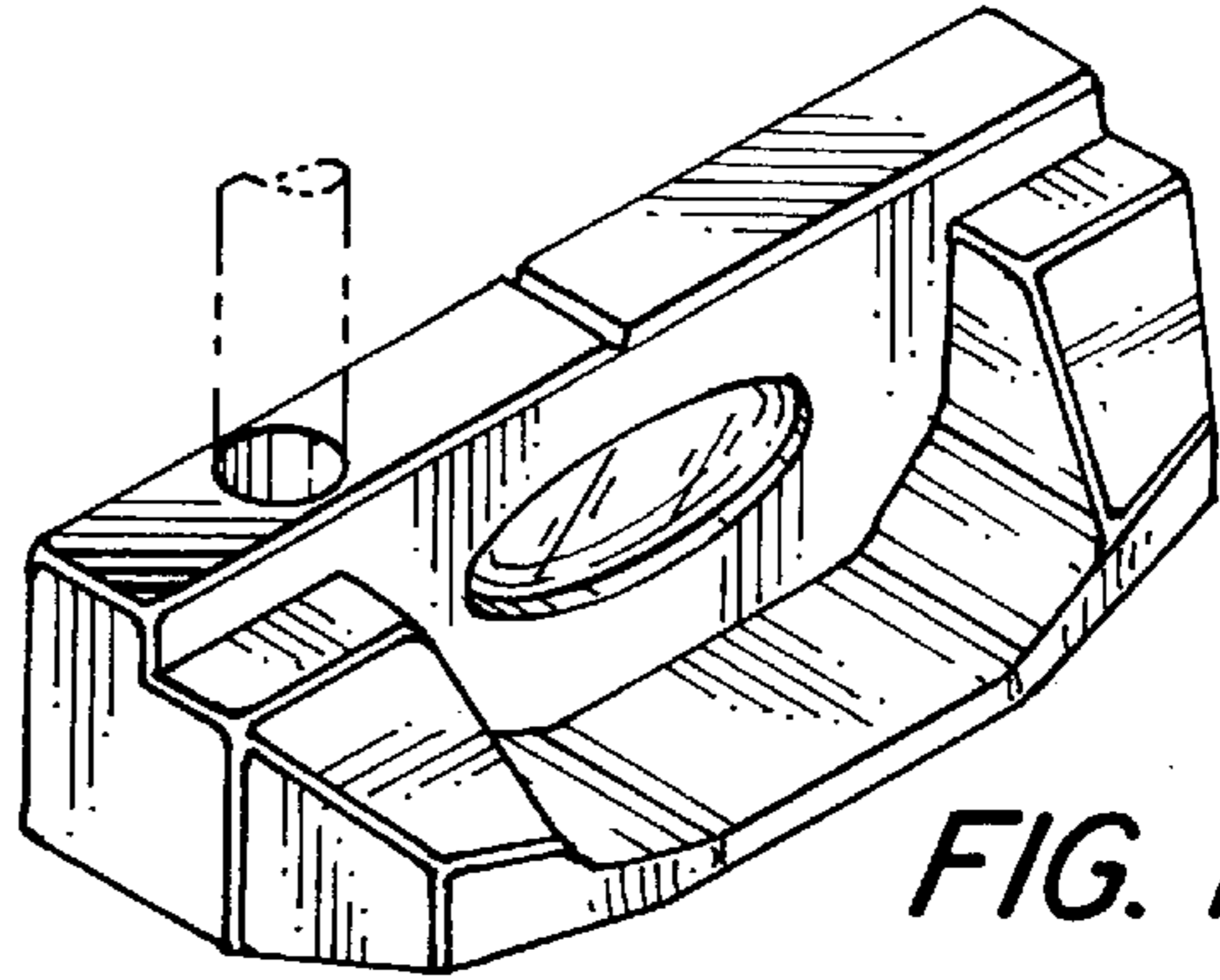


FIG. 18

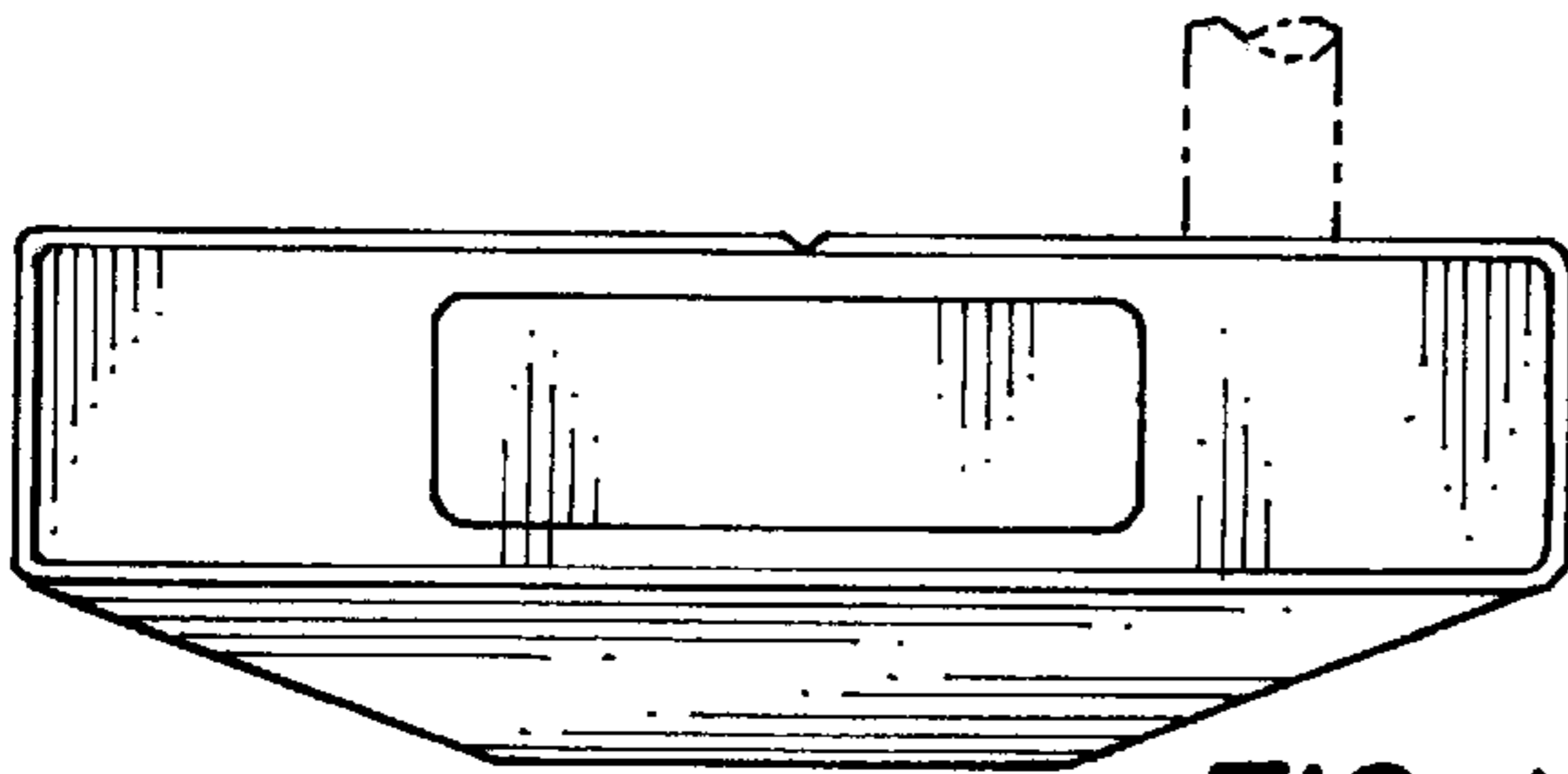


FIG. 19

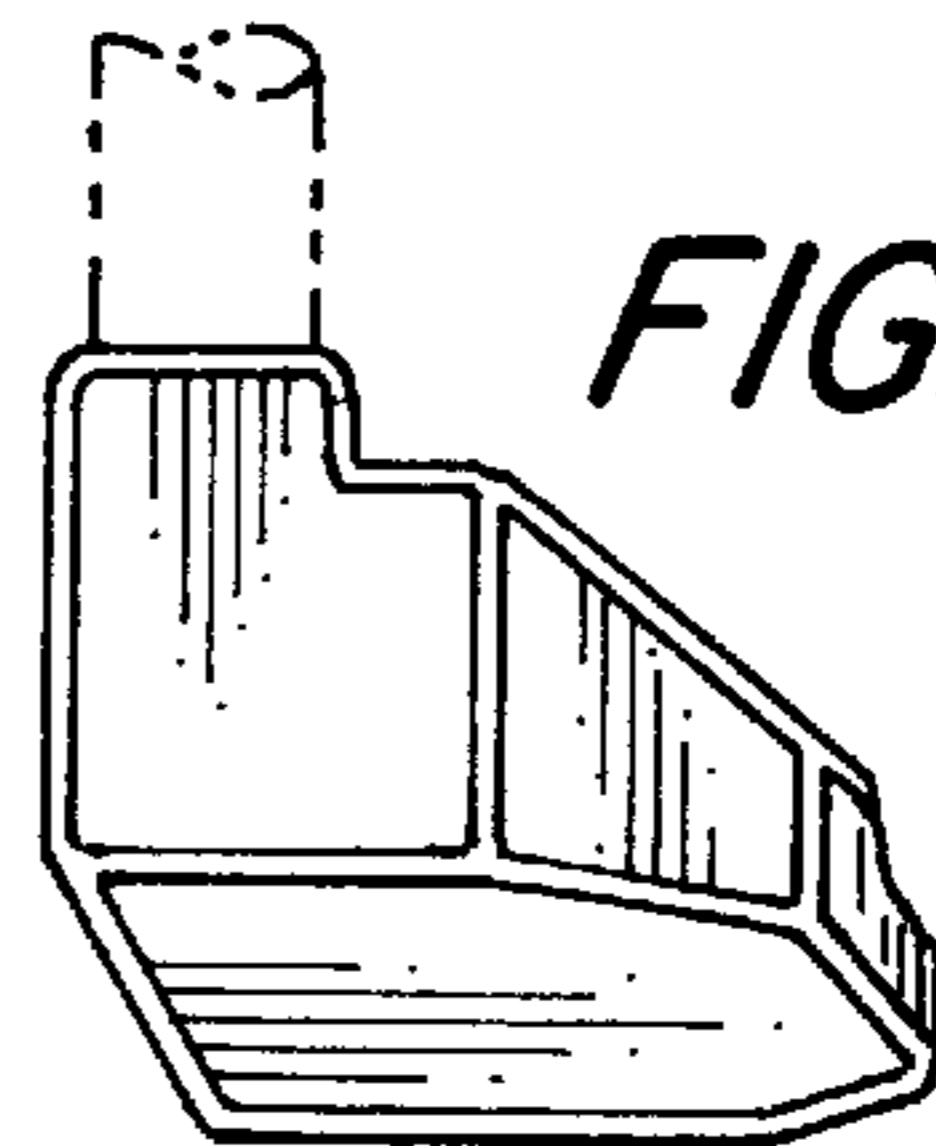


FIG. 23

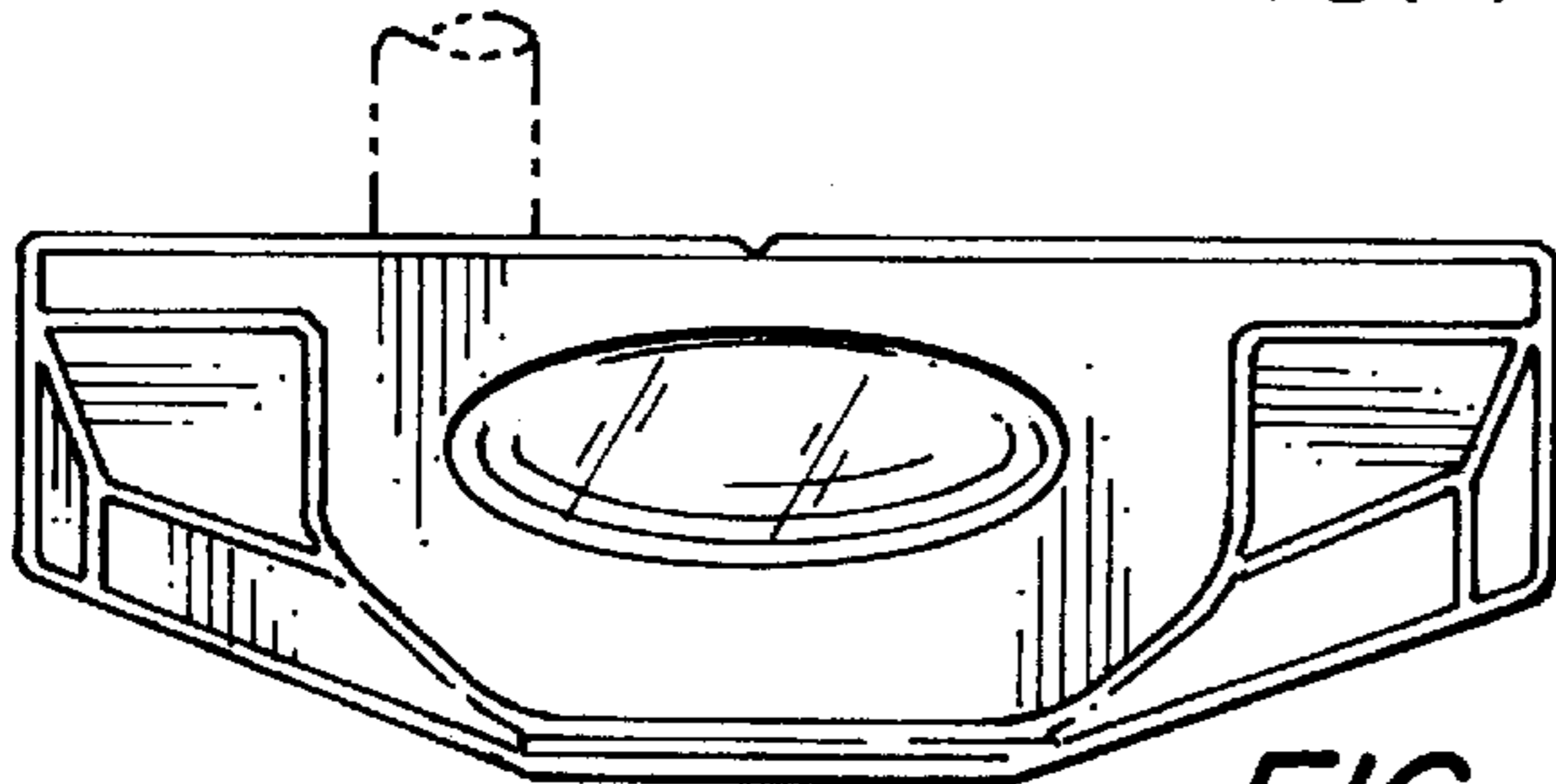


FIG. 20

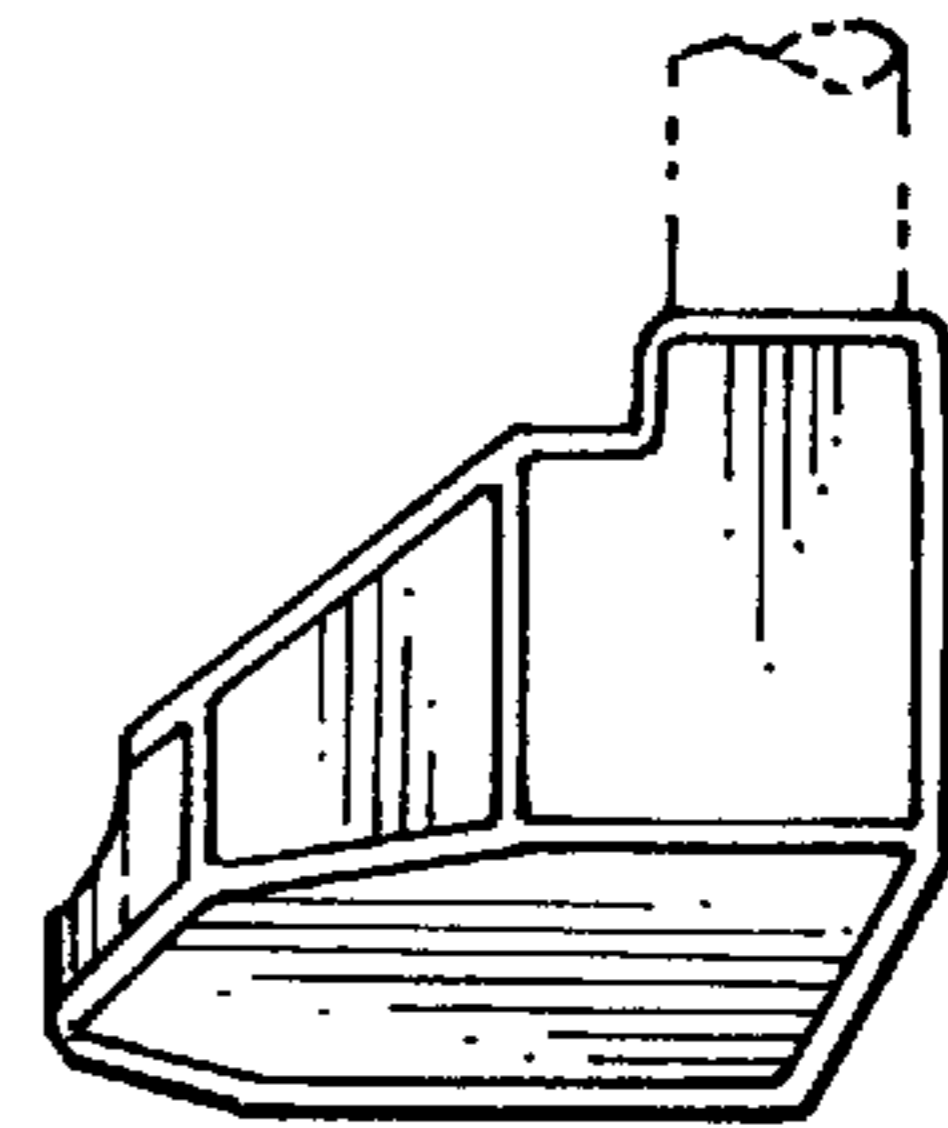


FIG. 24

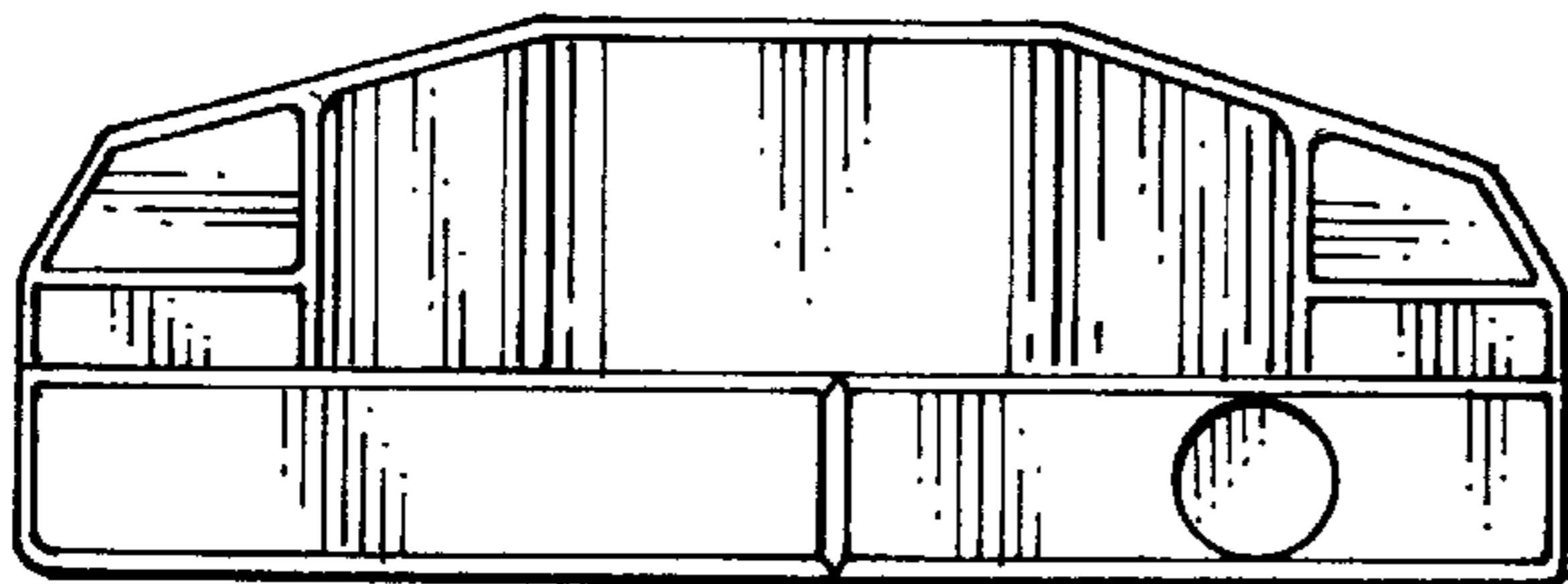


FIG. 21

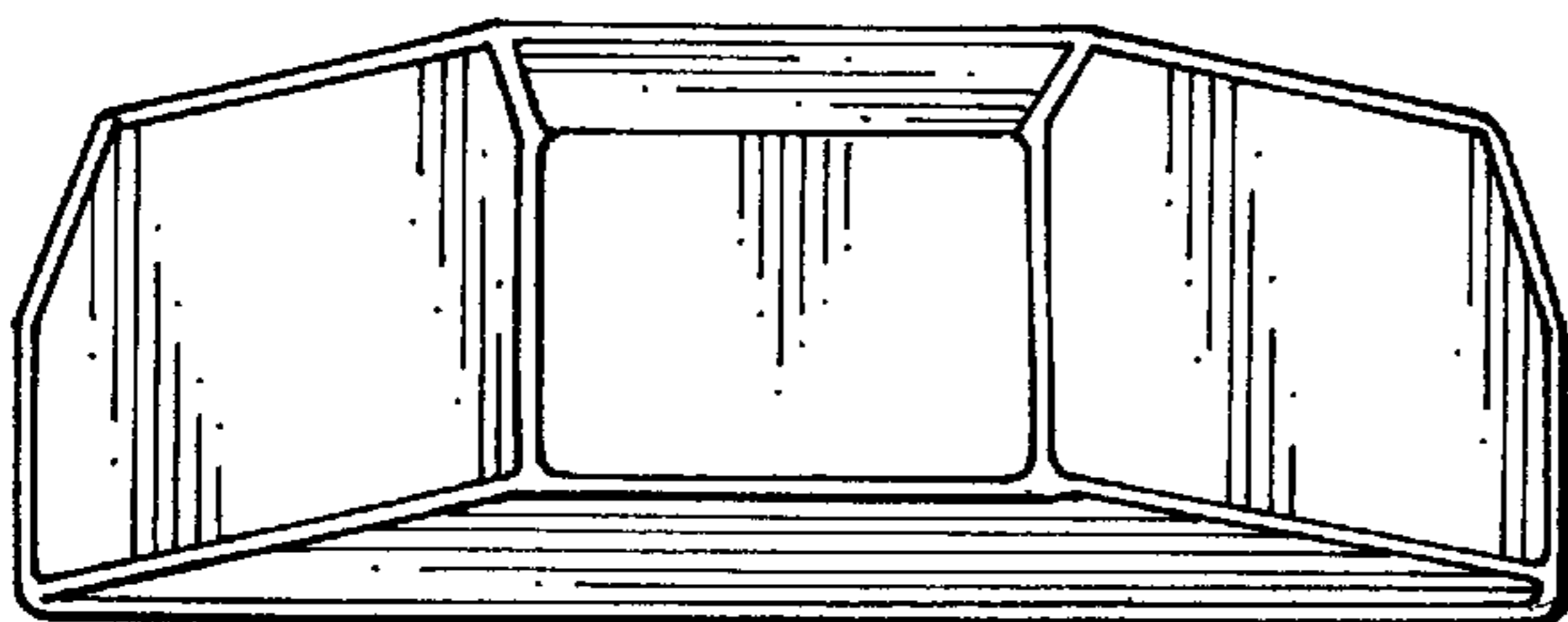


FIG. 22