



US00D419625S

United States Patent [19]

[11] Patent Number: Des. 419,625

Barnett et al.

[45] Date of Patent: ** Jan. 25, 2000

- [54] PRONE TORSO EXERCISER
- [75] Inventors: **Larry W. Barnett**, Weston, Conn.;
Charles Ho, Taipei, Taiwan
- [73] Assignee: **Torso Track, Inc.**, West Chester, Pa.
- [**] Term: **14 Years**
- [21] Appl. No.: **29/095,127**
- [22] Filed: **Oct. 16, 1998**

5,110,122	5/1992	Moore et al. .	
5,205,804	4/1993	Hall	482/141
5,224,909	7/1993	Hamilton	482/70
5,261,866	11/1993	Mattox	482/132
5,295,935	3/1994	Wang	482/130
5,328,427	7/1994	Sleamaker	482/71
5,498,223	3/1996	Iams et al.	482/129
5,499,955	3/1996	Becker et al.	482/51
5,499,961	3/1996	Mattox	482/132
5,518,483	5/1996	Oswald	482/131
5,643,162	7/1997	Landers et al.	482/131
5,921,901	7/1999	Palacios	482/132

Related U.S. Application Data

- [63] Continuation-in-part of application No. 08/957,962, Oct. 21, 1997.
- [51] **LOC (7) Cl.** **21-02**
- [52] **U.S. Cl.** **D21/692; D21/674; D21/676**
- [58] **Field of Search** D21/662, 673,
D21/674, 676, 692; 482/121, 123, 133,
135, 132, 131, 125

FOREIGN PATENT DOCUMENTS

86217448	6/1998	Taiwan .
436 269	10/1935	United Kingdom .
2 133 706	8/1984	United Kingdom .
2 160 433	12/1985	United Kingdom .

OTHER PUBLICATIONS

International Search Report from the European Patent Office, date of mailing Feb. 15, 1999.

Primary Examiner—Philip S. Hyder
Attorney, Agent, or Firm—Finnegan, Henderson, Farabow, Garrett & Dunner, L.L.P.

[56] References Cited

U.S. PATENT DOCUMENTS

D. 362,700	9/1995	Breibart et al.	D21/673
D. 382,319	8/1997	Gerschefske et al.	D21/674
D. 403,163	12/1998	Lipps	D21/692
1,824,920	9/1931	Novak .	
2,129,262	9/1938	Cole .	
3,101,944	8/1963	Cencig	482/114
3,572,701	3/1971	Agamian .	
3,582,069	6/1971	Flick et al. .	
3,589,720	6/1971	Agamian .	
3,752,475	8/1973	Ott .	
3,797,824	3/1974	Osbourne .	
4,136,867	1/1979	Wilkin .	
4,324,399	4/1982	Rickey .	
4,506,884	3/1985	Hankin .	
4,653,749	3/1987	Rorabaugh .	
4,930,769	6/1990	Nenoff .	
4,989,860	2/1991	Iams et al. .	

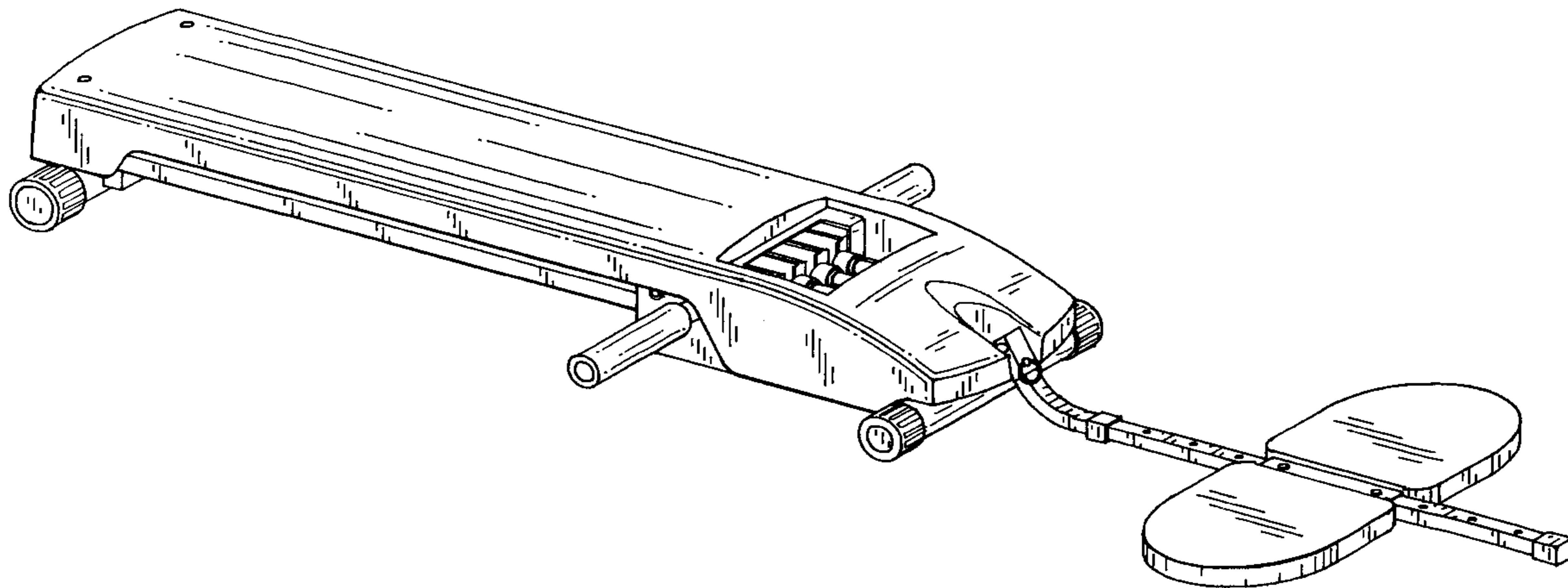
[57] CLAIM

The ornamental design for a prone torso exerciser, as shown and described.

DESCRIPTION

FIG. 1 is a perspective view of a prone torso exerciser embodying our design;
FIG. 2 is a top plan view thereof;
FIG. 3 is a bottom plan view thereof;
FIG. 4 is a right side elevational view thereof;
FIG. 5 is a left side elevational view thereof;
FIG. 6 is a front elevational view thereof; and,
FIG. 7 is a rear elevational view thereof.

1 Claim, 3 Drawing Sheets



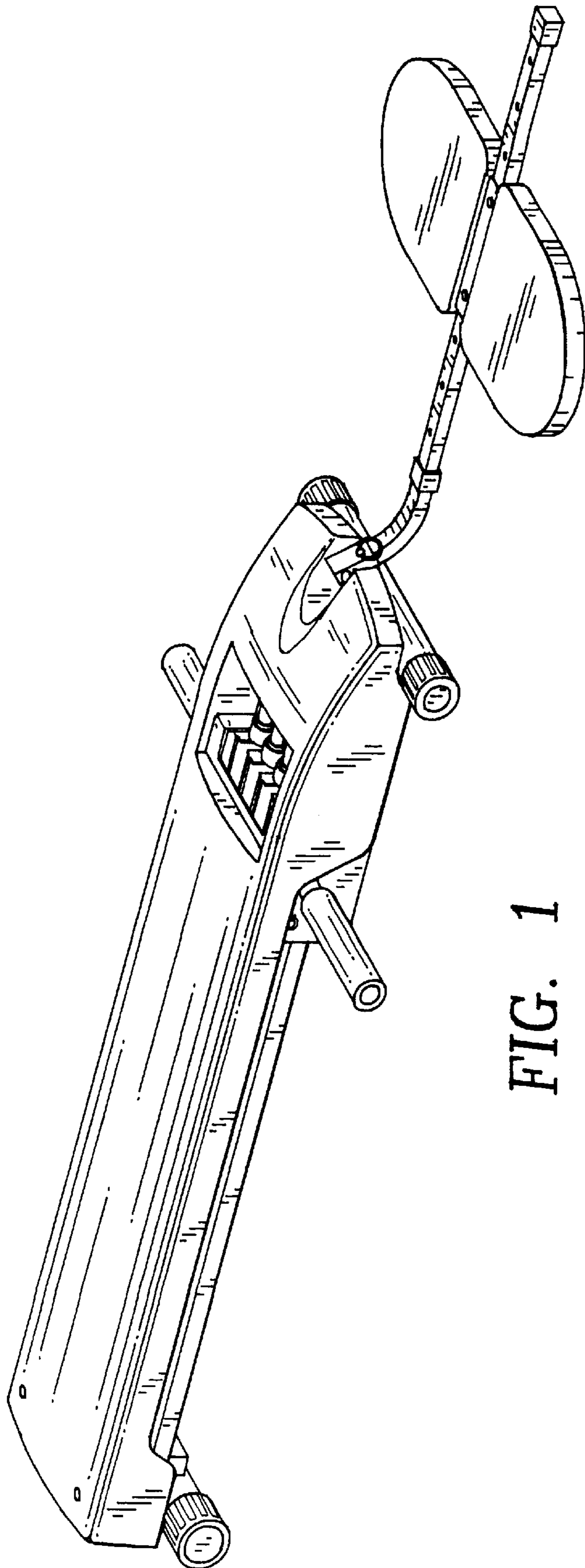


FIG. 1

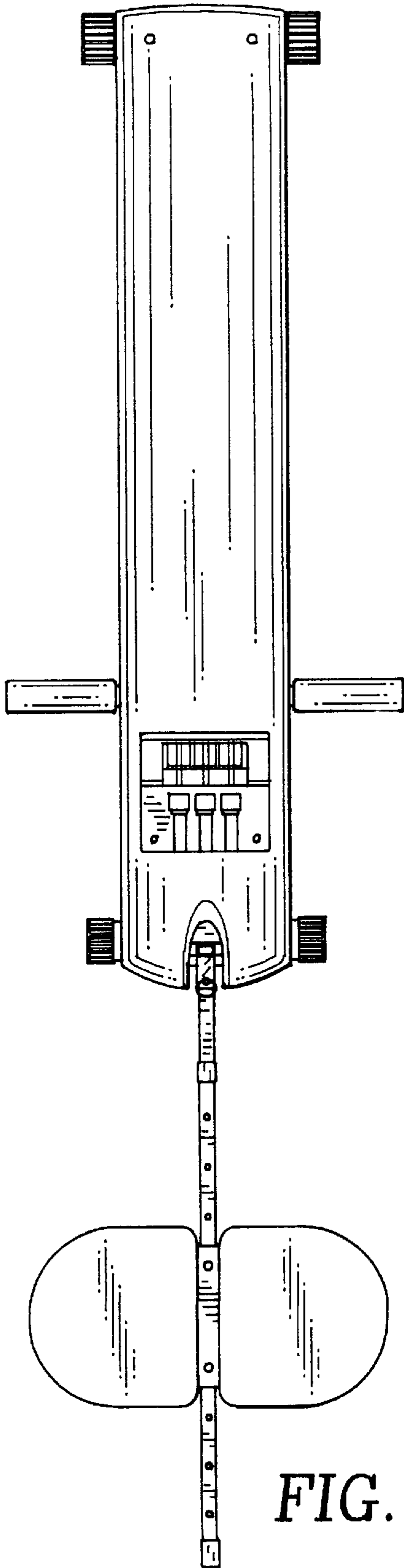


FIG. 2

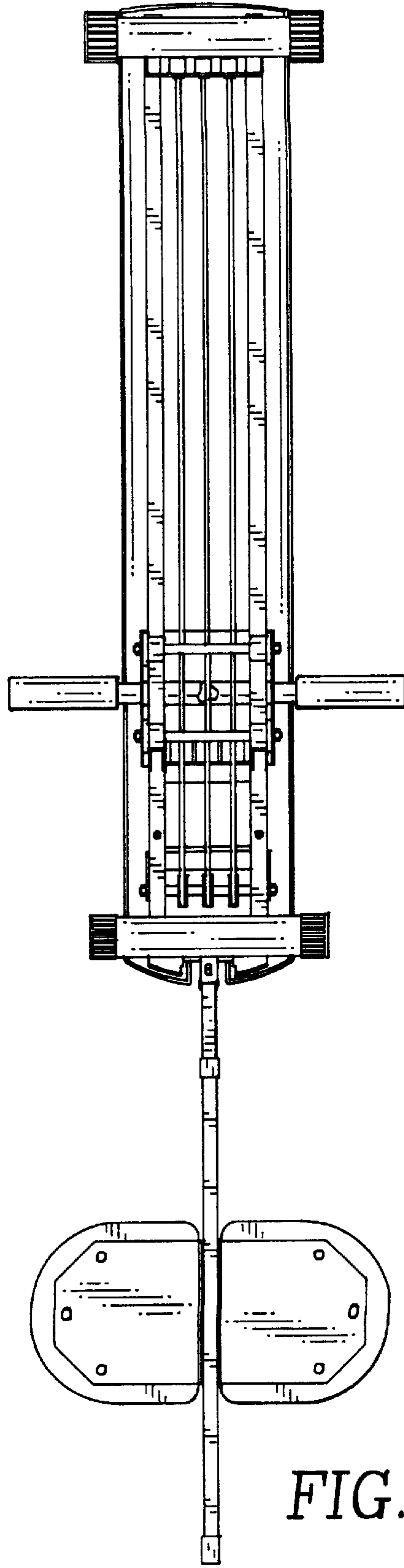


FIG. 3

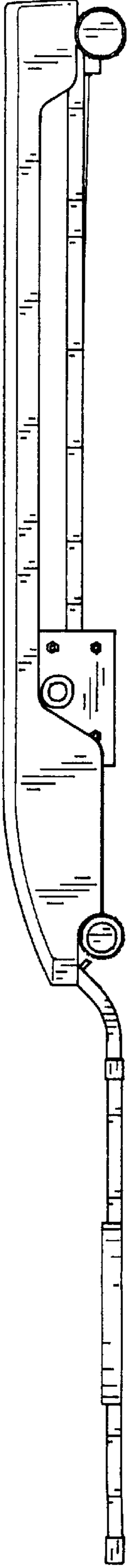


FIG. 4

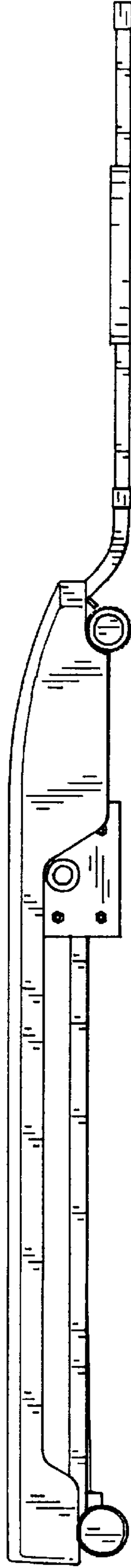


FIG. 5

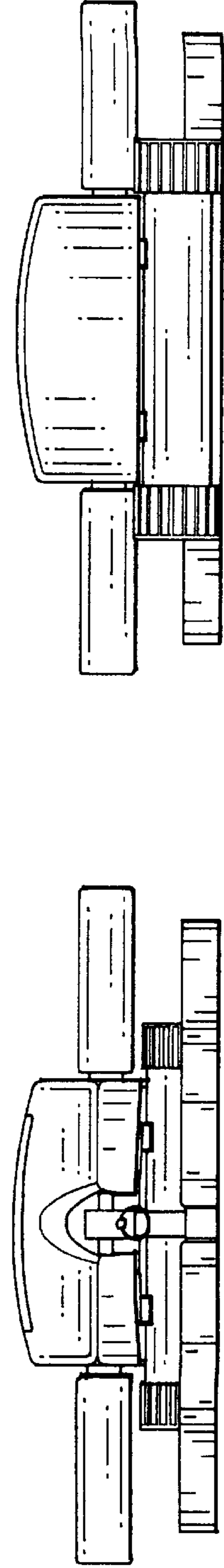


FIG. 6

FIG. 7