



US00D419619S

# United States Patent [19] Wei

[11] **Patent Number: Des. 419,619**  
[45] **Date of Patent: \*\* Jan. 25, 2000**

[54] **TOY VEHICLE**

[75] Inventor: **Kam Wah Wei**, Kowloon, The Hong Kong Special Administrative Region of the People's Republic of China

[73] Assignee: **Wah Hing Toys Development Co., Ltd.**, Kowloon, The Hong Kong Special Administrative Region of the People's Republic of China

[\*\*] Term: **14 Years**

[21] Appl. No.: **29/102,019**

[22] Filed: **Mar. 16, 1999**

[51] **LOC (7) Cl.** ..... **21-01**

[52] **U.S. Cl.** ..... **D21/556**

[58] **Field of Search** ..... D21/533, 537, D21/539, 552-560, 424, 431-435; D12/96, 97; 446/424-428, 447, 456, 465, 470

[56] **References Cited**

**U.S. PATENT DOCUMENTS**

D. 211,808 7/1968 Genin ..... D21/556

D. 293,342 12/1987 Thomson et al. .... D21/556  
D. 333,684 3/1993 Revell ..... D21/556  
3,653,147 4/1972 Zbikowski et al. .  
3,738,057 6/1973 Ogasawara .

*Primary Examiner*—Raphael Barkai  
*Attorney, Agent, or Firm*—Leydig, Voit & Mayer, Ltd.

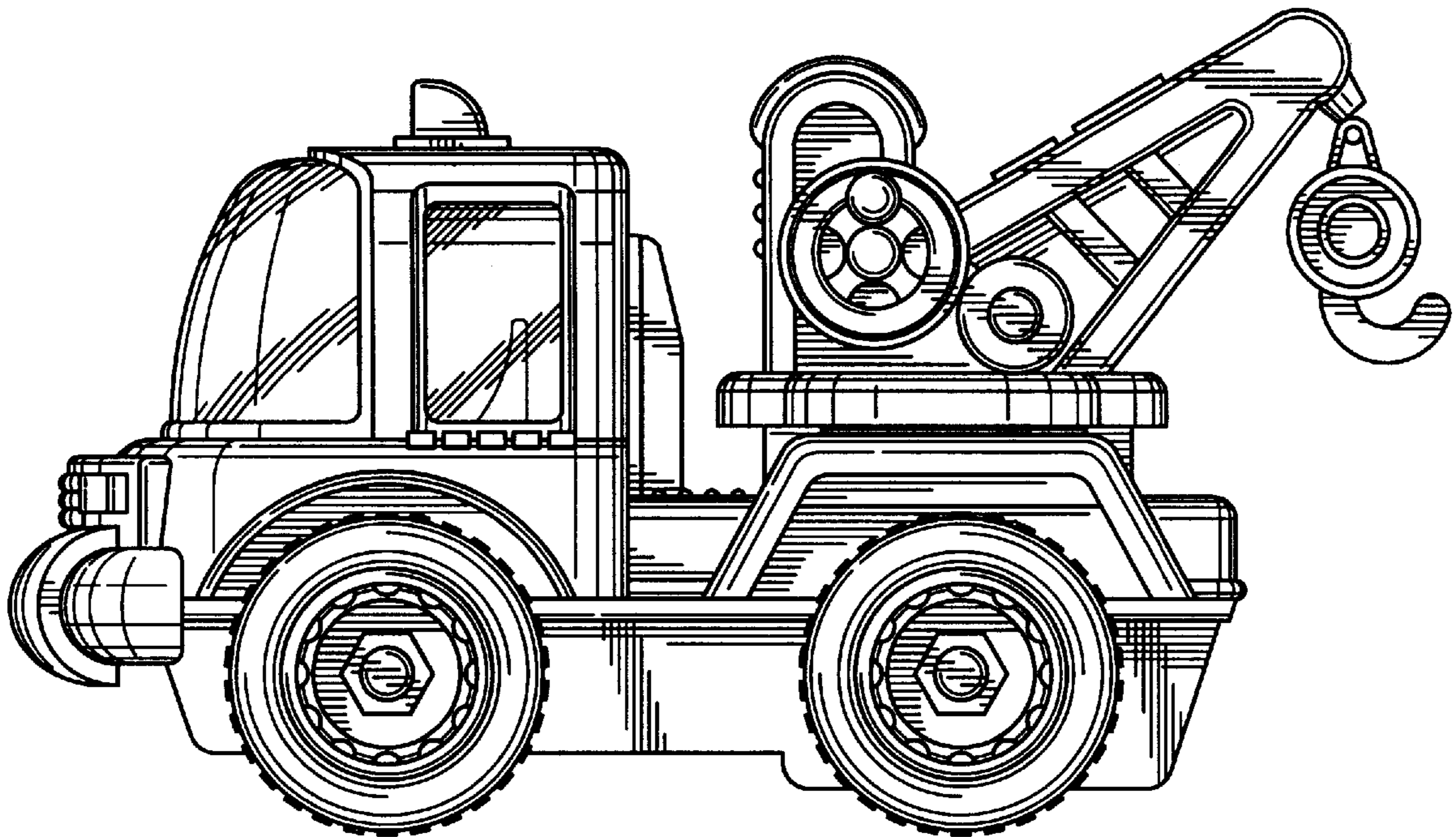
[57] **CLAIM**

The ornamental design for a toy vehicle, as shown and described.

**DESCRIPTION**

FIG. 1 is a left side elevational view of a toy vehicle showing my new design;  
FIG. 2 is a right side elevational view thereof;  
FIG. 3 is a front end elevational view thereof;  
FIG. 4 is a rear end elevational view thereof;  
FIG. 5 is a top plan view thereof; and,  
FIG. 6 is a bottom plan view thereof.

**1 Claim, 3 Drawing Sheets**



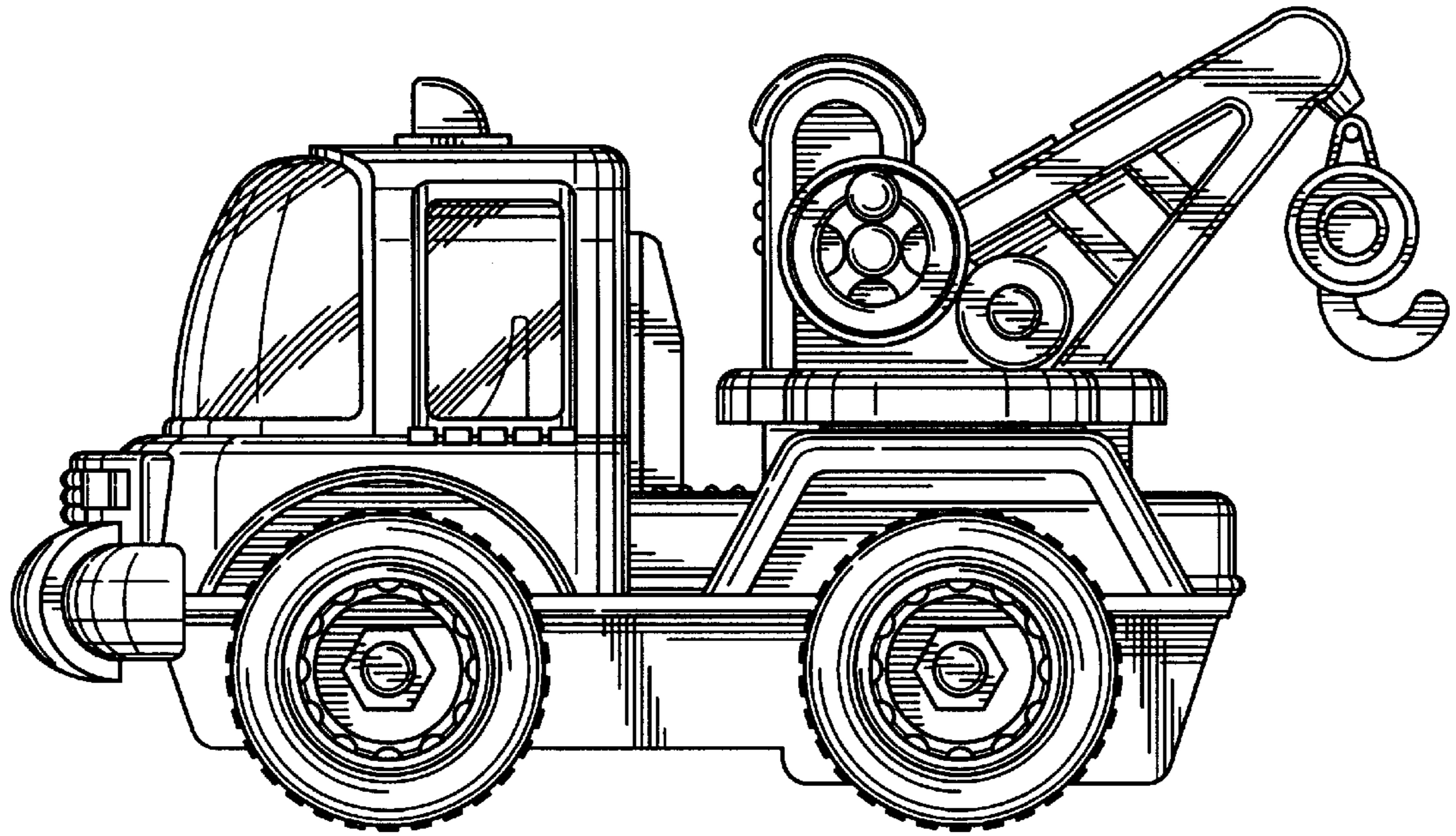


FIG. 1

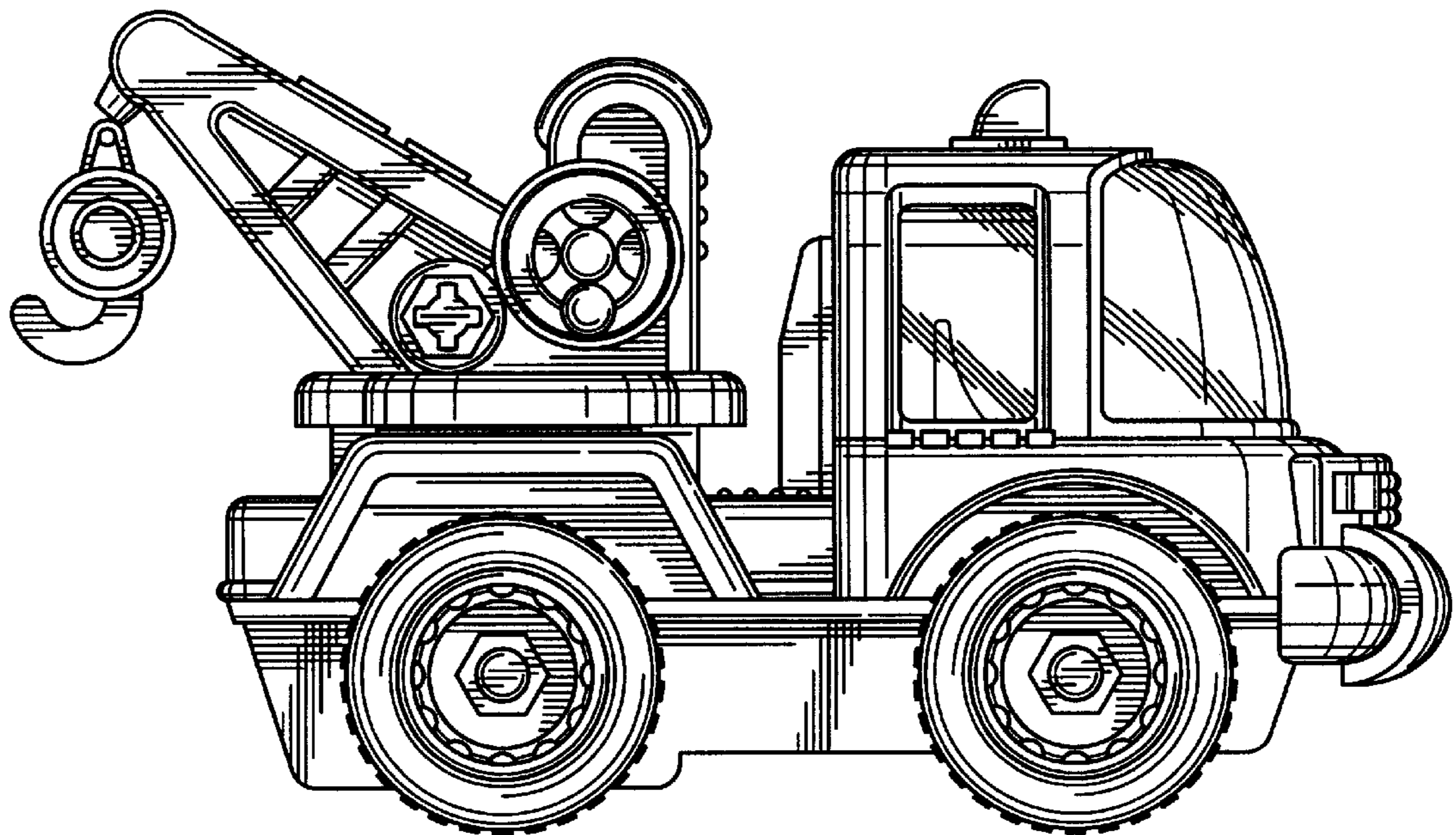


FIG. 2

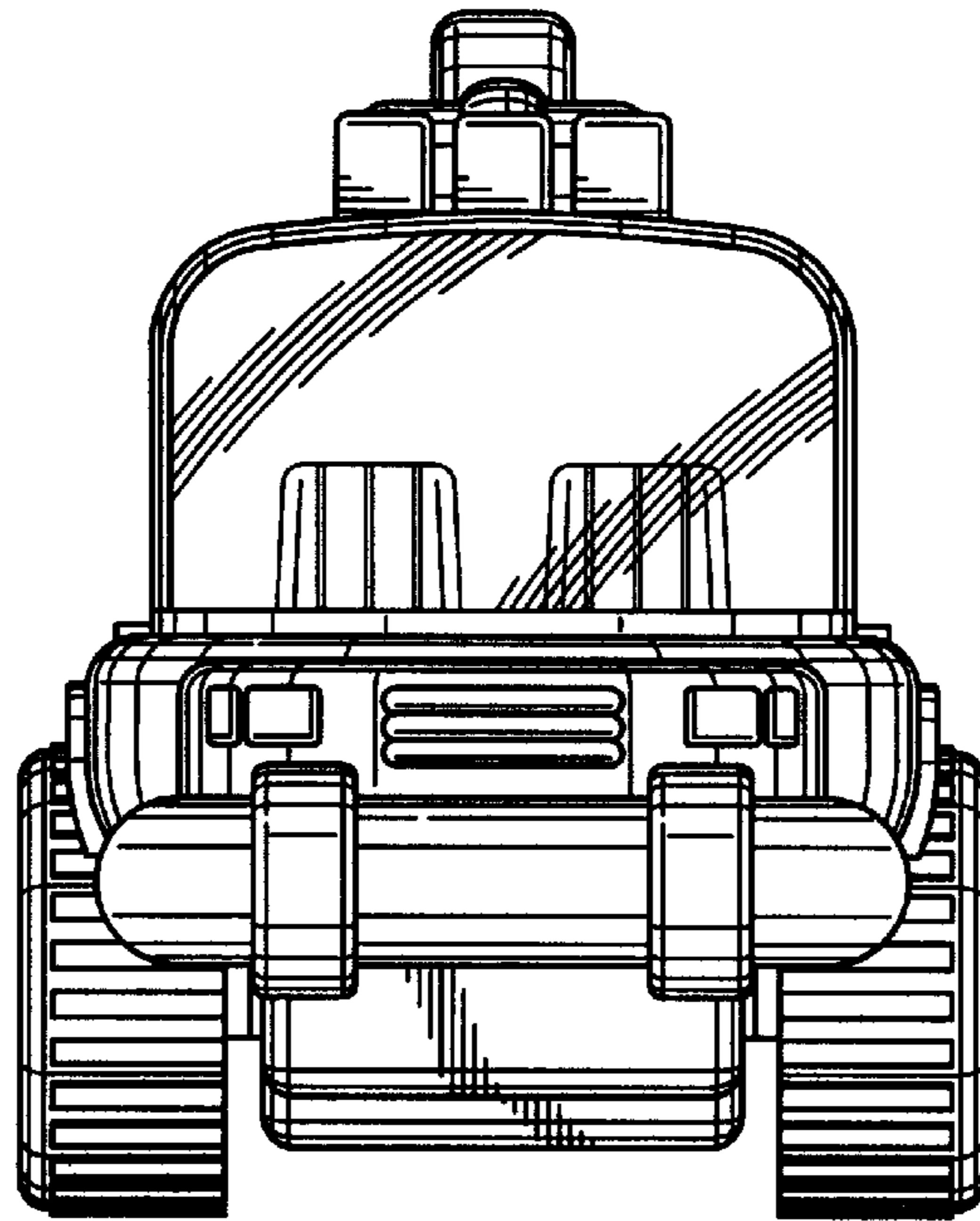


FIG. 3

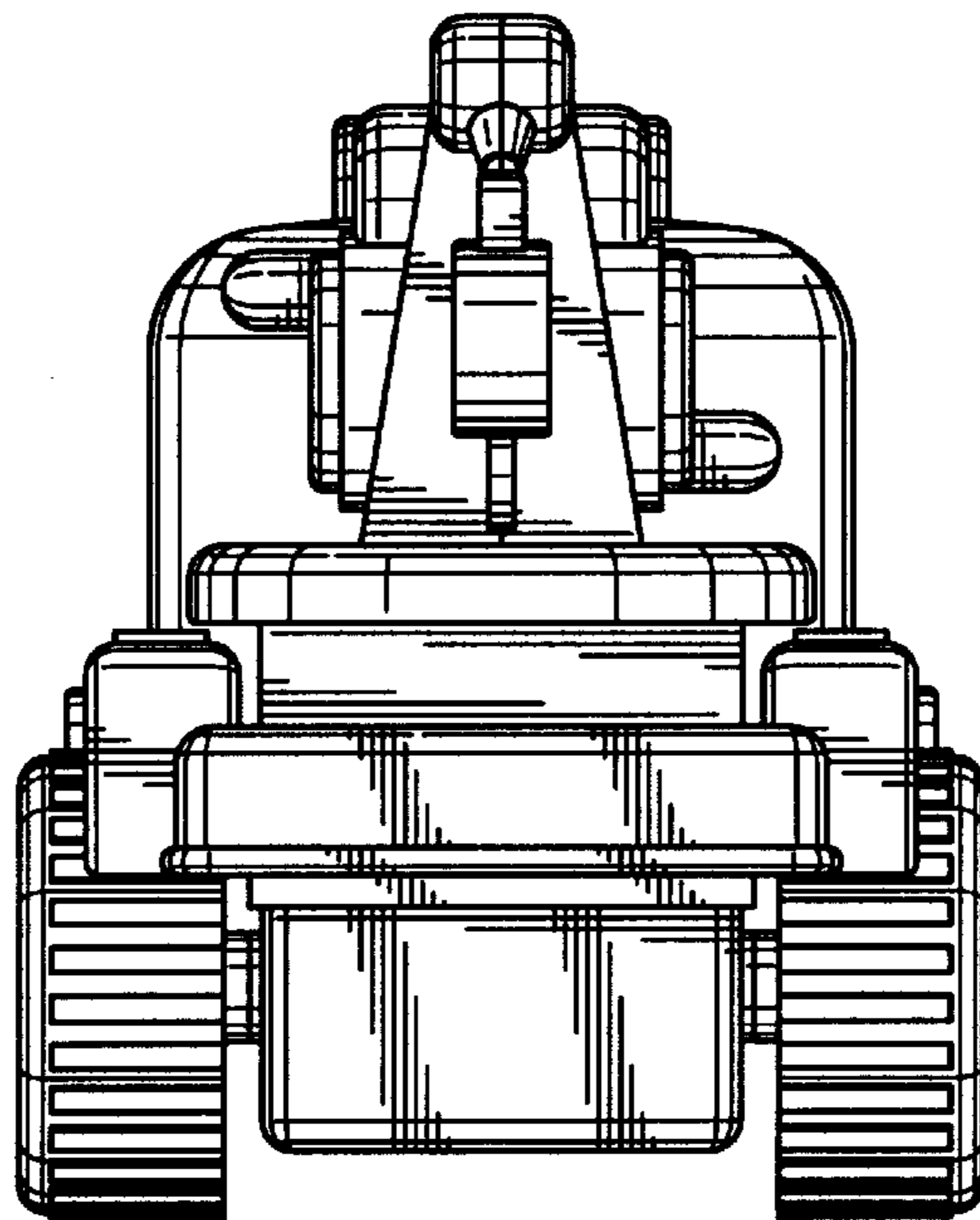


FIG. 4

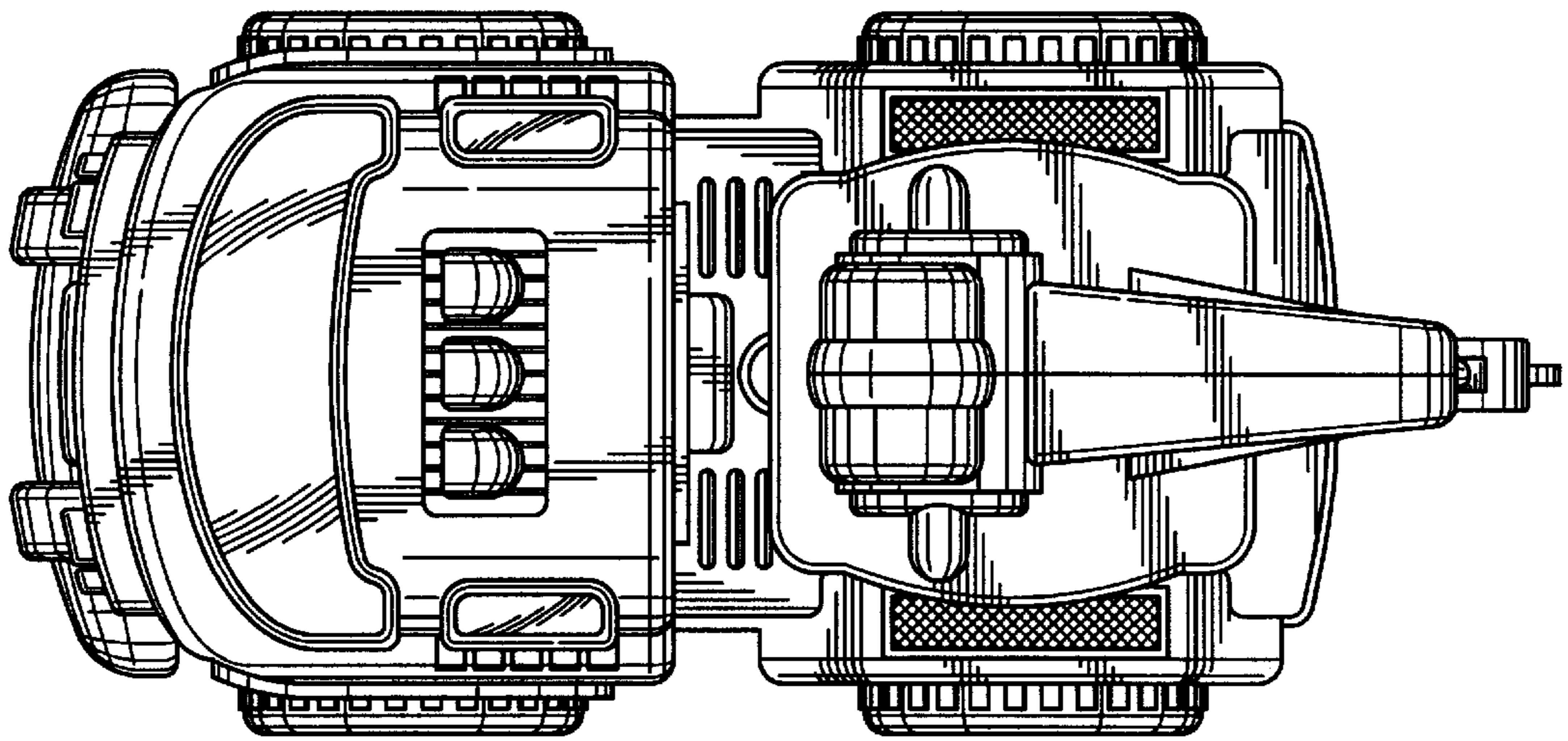


FIG. 5

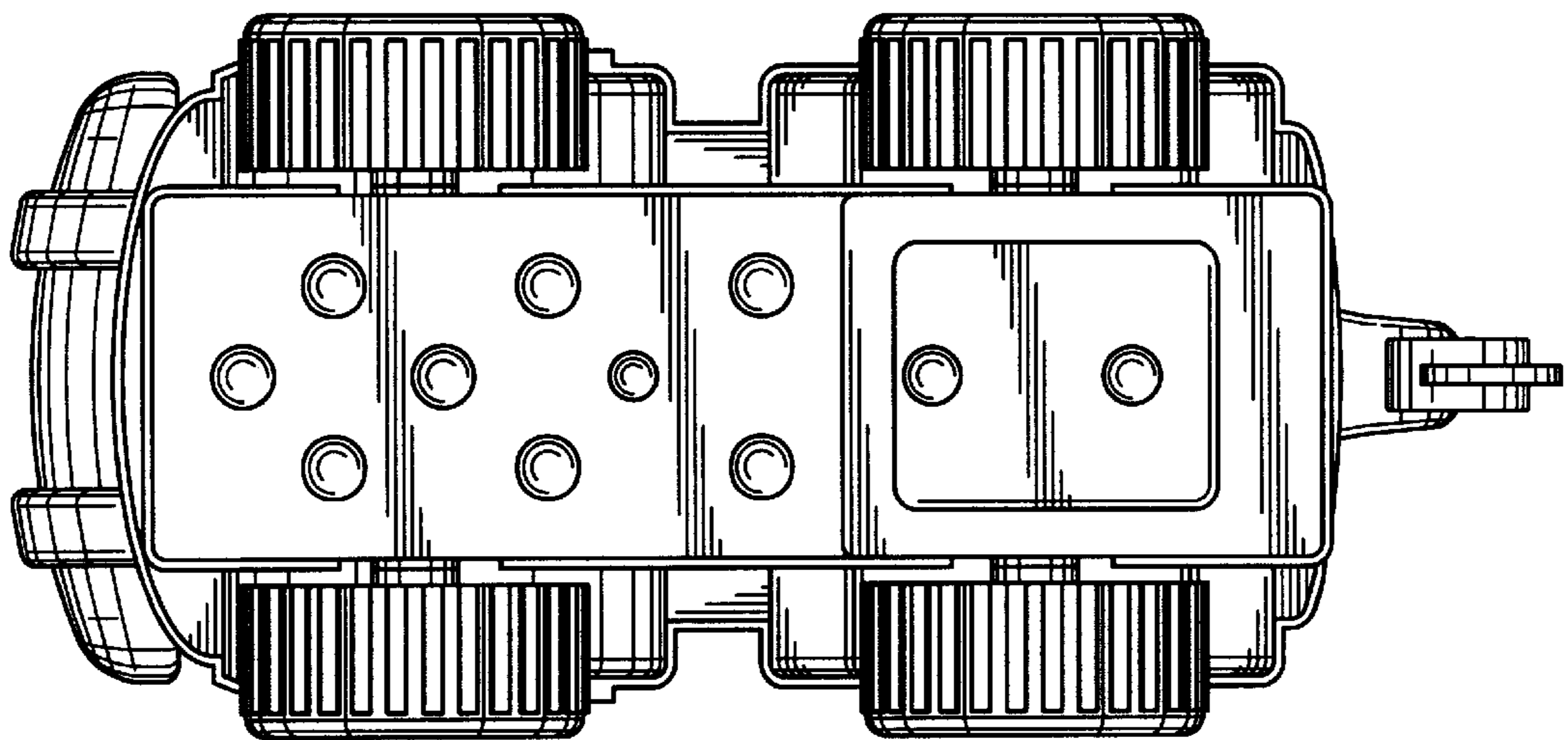


FIG. 6