



US00D419617S

United States Patent [19]

Wise et al.

[11] Patent Number: **Des. 419,617**

[45] Date of Patent: **** Jan. 25, 2000**

[54] **TOY CLOCK**

859630 4/1991 Japan .

[75] Inventors: **Robert D. Wise; Dorothea A. Wise,**
both of Akron, Ohio

[73] Assignees: **The Little Tikes Company,** Hudson,
Ohio; **Amway Corporation,** Ada,
Mich.

[**] Term: **14 Years**

[21] Appl. No.: **29/089,198**

[22] Filed: **Jun. 9, 1998**

[51] **LOC (7) Cl.** **21-01**

[52] **U.S. Cl.** **D21/531**

[58] **Field of Search** D21/531; D10/19,
D10/23; 368/285; 446/404

[56] **References Cited**

U.S. PATENT DOCUMENTS

D. 198,756	7/1964	Spengler	D34/15
D. 272,930	3/1984	Anderson	.	
D. 324,075	2/1992	Leung	.	
D. 332,119	12/1992	Fujieda et al.	.	
3,114,216	12/1963	Crawford et al.	46/175
3,247,614	4/1966	Spengler	46/177
3,591,974	7/1971	Thornell	46/33

FOREIGN PATENT DOCUMENTS

683037 5/1983 Japan .

OTHER PUBLICATIONS

Pp. 12 and 13, Toy clocks; Fisher-Price, A Division of The Quaker Oats Company, 620 Girard Avenue, East Aurora, New York 14052-1879. Publication date 1973.

P. 20, Toy clocks; The Little Tikes Company, 2180 Barlow Road, Hudson, Ohio 44236. Publication date 1994.

Primary Examiner—Raphael Barkai

Attorney, Agent, or Firm—Richard B. O'Planick

[57] **CLAIM**

The ornamental design for a toy clock, as shown and described.

DESCRIPTION

FIG. 1 is a top right front perspective view of a toy clock showing our new design; the broken lines showing of hands and ringers for a toy clock are for illustrative purposes only and form no part of the claimed design;

FIG. 2 is a front elevational view thereof;

FIG. 3 is a right side elevational view thereof;

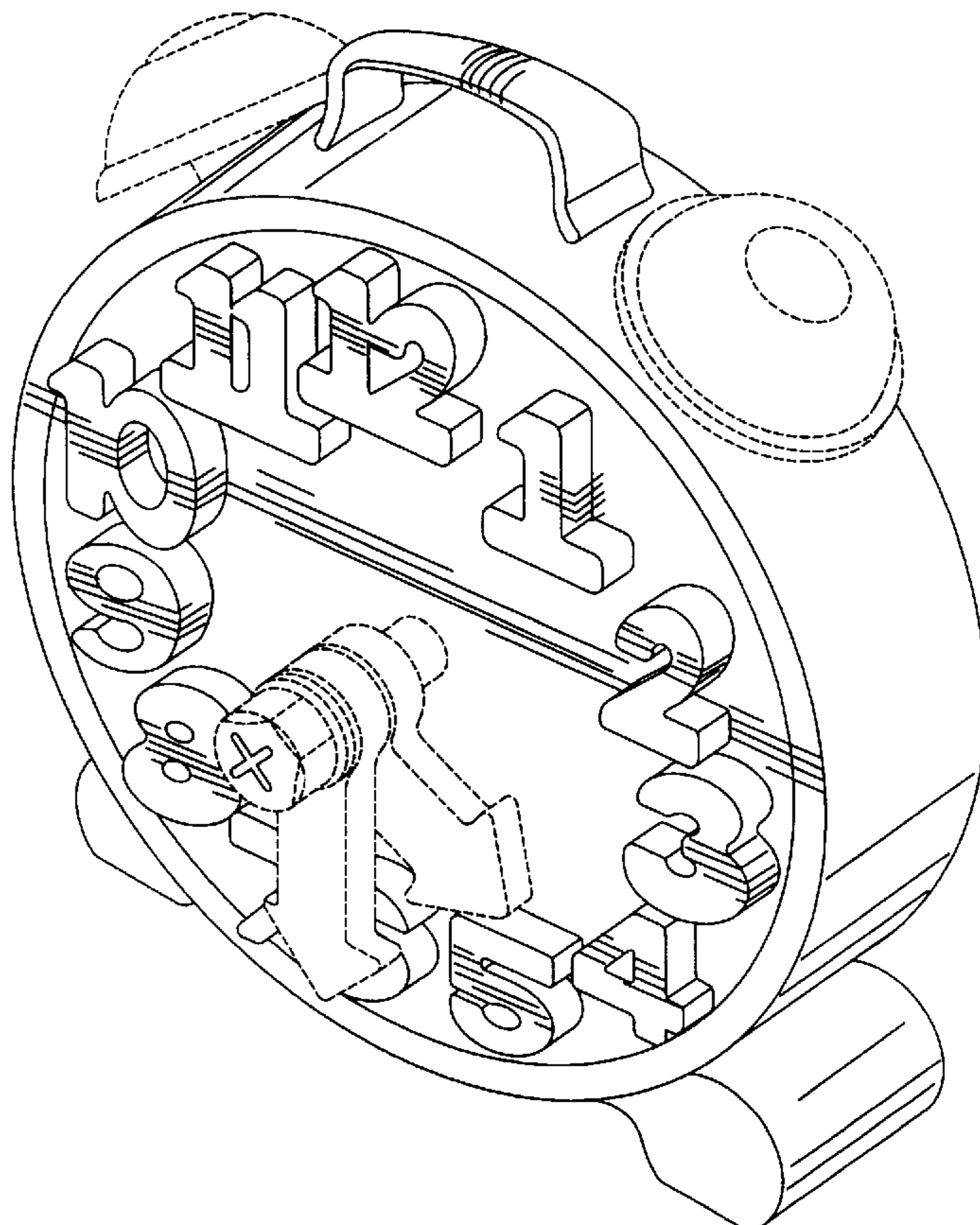
FIG. 4 is a left side elevational view thereof;

FIG. 5 is a top plan view thereof;

FIG. 6 is a bottom plan view thereof; and,

FIG. 7 is a rear elevational view thereof.

1 Claim, 3 Drawing Sheets



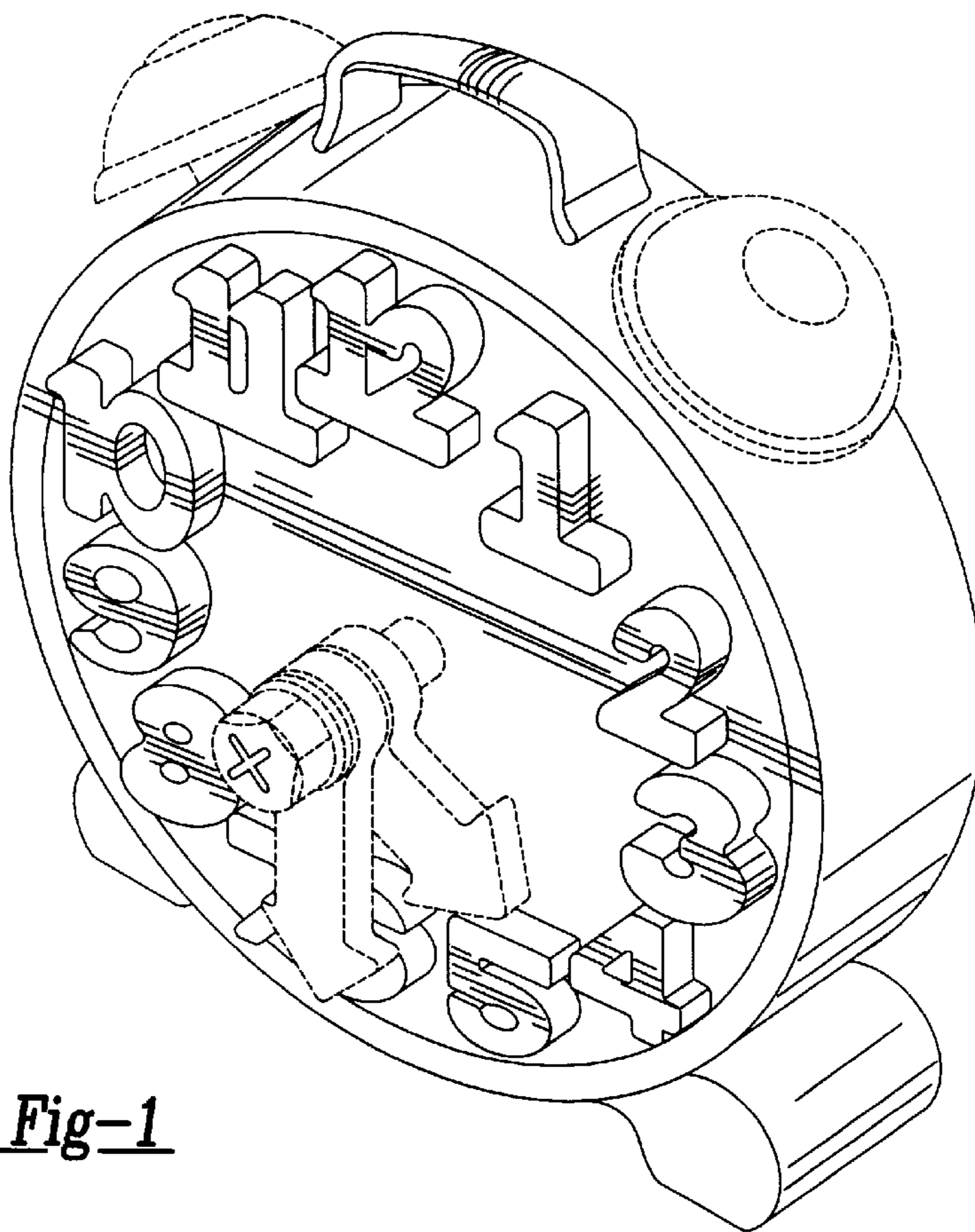


Fig-1

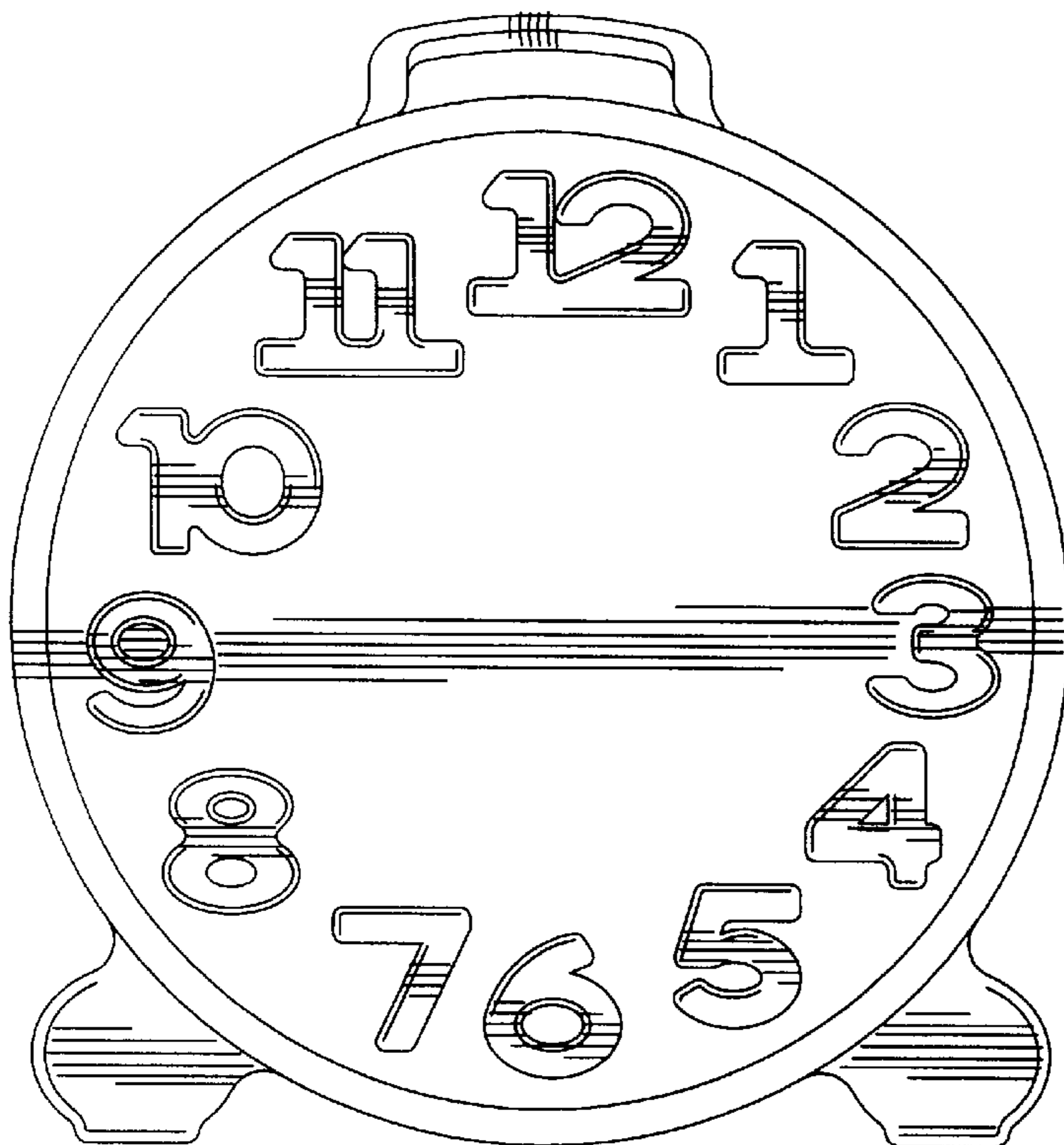


Fig-2

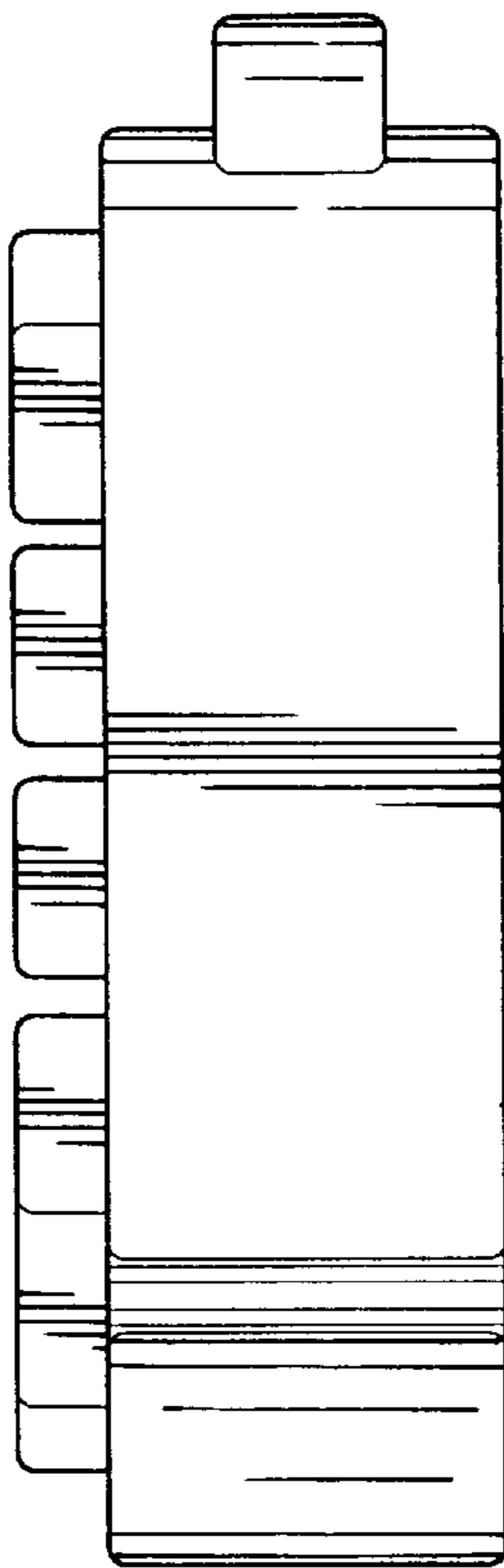


Fig-3

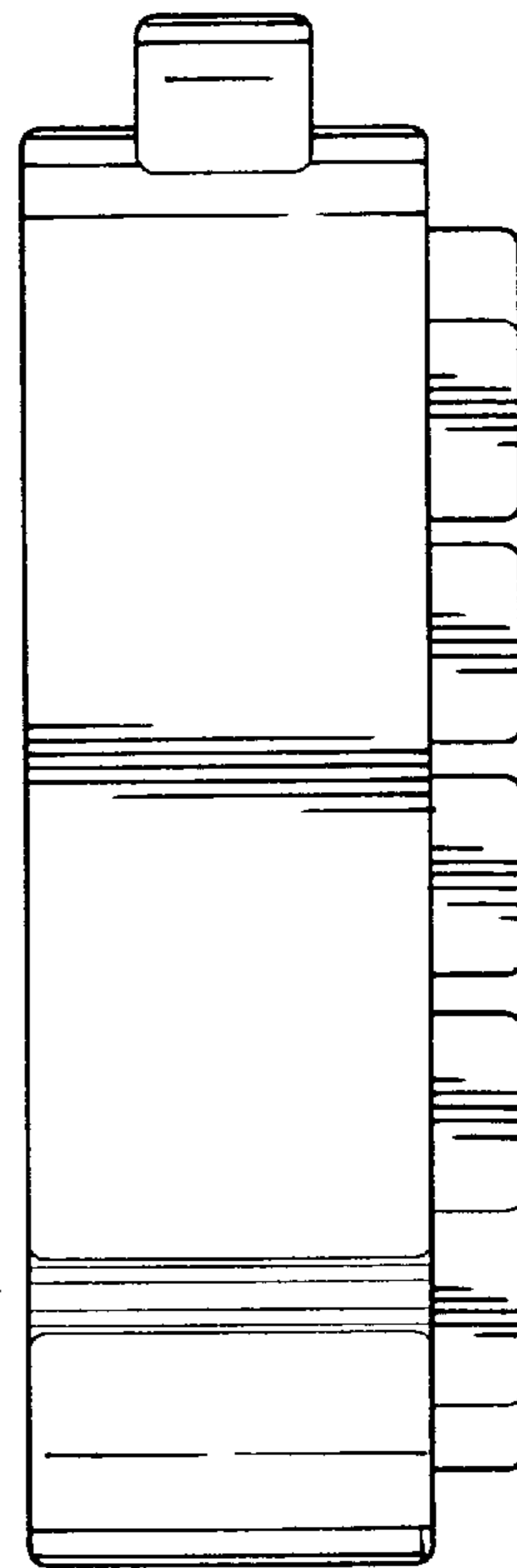


Fig-4

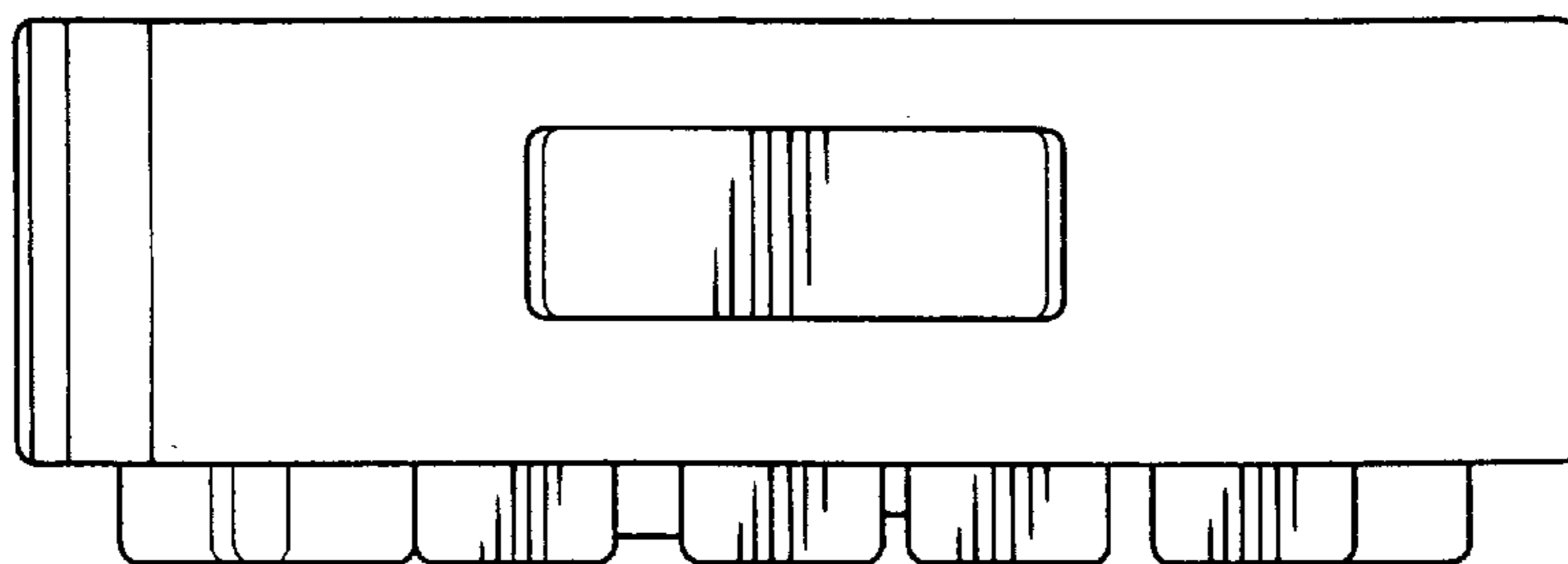


Fig-5

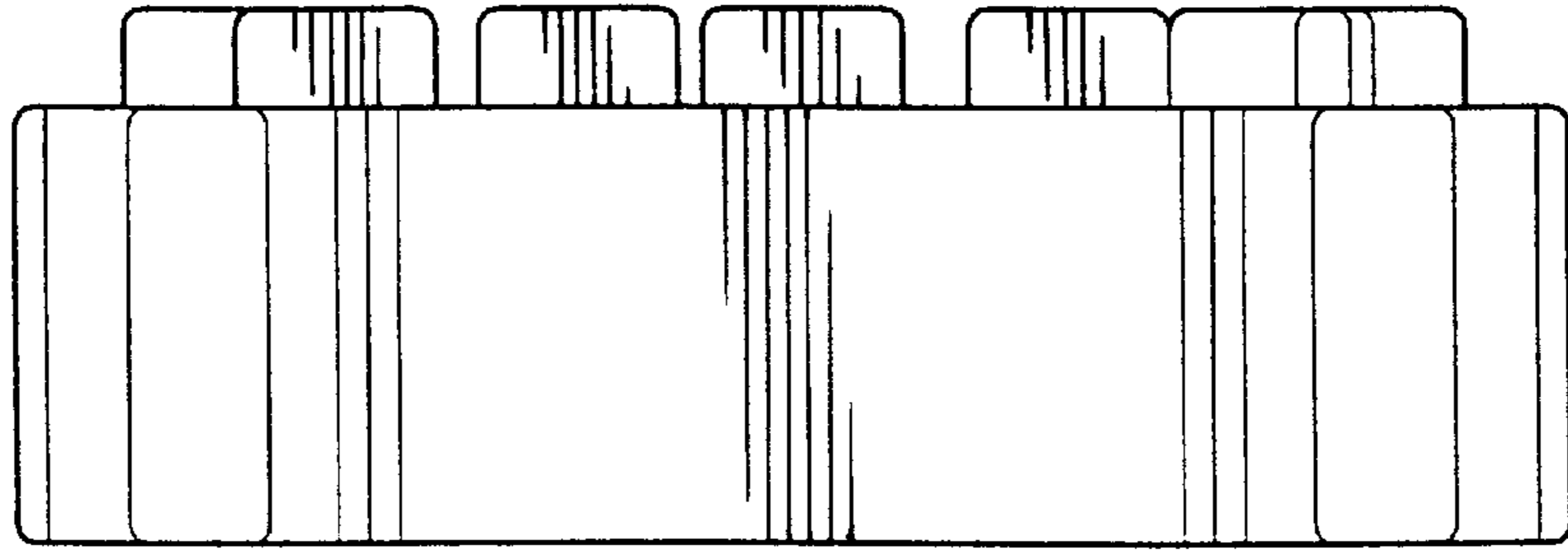


Fig-6

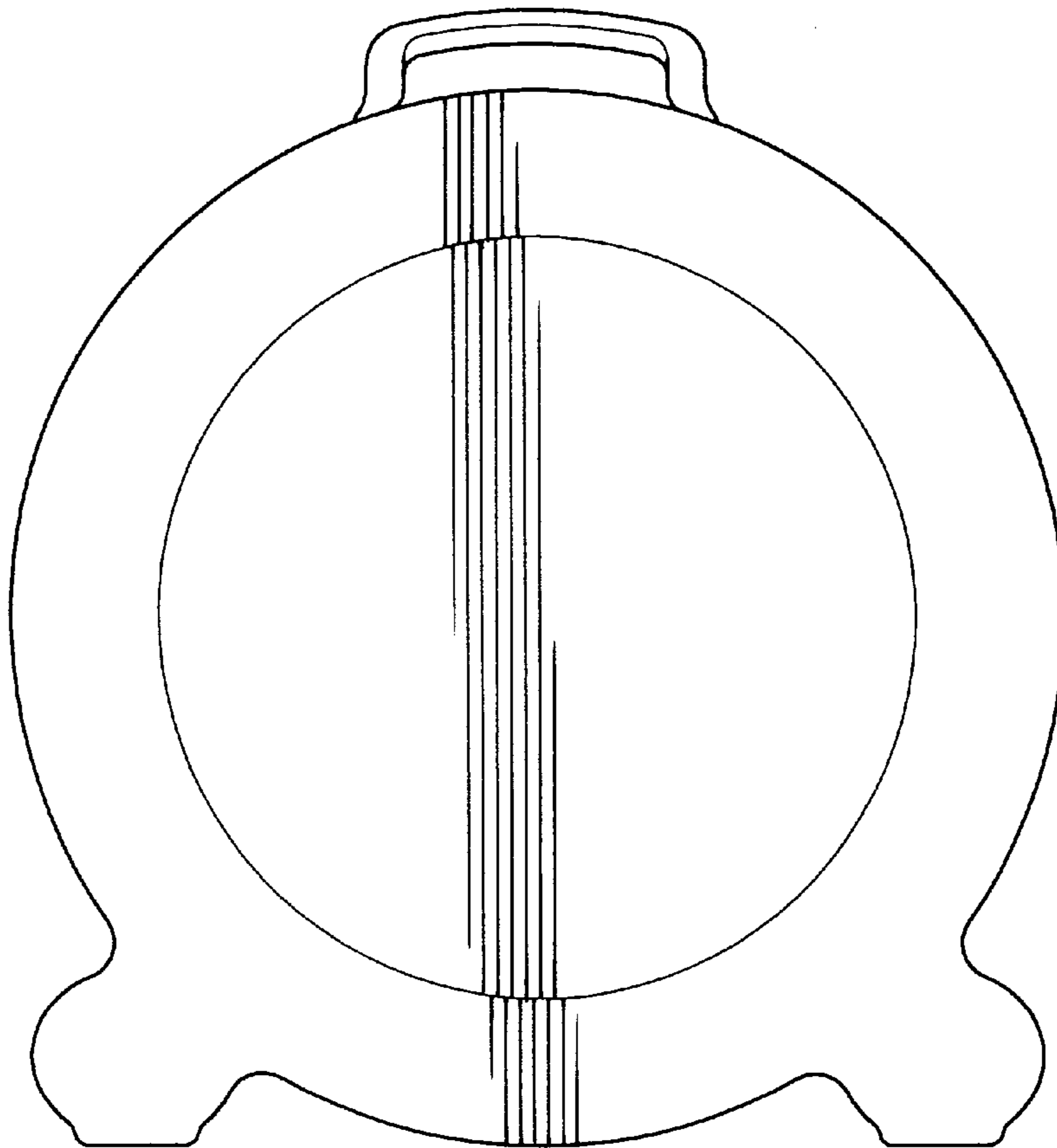


Fig-7