



US00D419616S

# United States Patent [19] Toft

[11] Patent Number: **Des. 419,616**

[45] Date of Patent: **\*\* Jan. 25, 2000**

[54] **TOY BUILDING ELEMENT**

[75] Inventor: **Uffe K. Toft**, Aarhus C, Denmark

[73] Assignee: **INTERLEGO AG**, Baar, Switzerland

[\*\*] Term: **14 Years**

[21] Appl. No.: **29/094,966**

[22] Filed: **Oct. 14, 1998**

[51] **LOC (7) Cl.** ..... **21-01**

[52] **U.S. Cl.** ..... **D21/502; D21/493; D21/503**

[58] **Field of Search** ..... D21/483, 484,  
D21/493, 502, 503, 576, 578, 594, 621,  
658, 661; 446/85, 95, 97-105, 120, 124,  
128, 268, 269, 279, 284, 290-292, 376,  
377

[56] **References Cited**

**U.S. PATENT DOCUMENTS**

D. 137,551	3/1944	Baker	.....	D21/594
D. 251,719	5/1979	Schmitz, Jr.	.....	D21/594
D. 317,796	6/1991	Laursen	.....	D21/621
D. 352,078	11/1994	Bertrand	.....	D21/621
D. 363,512	10/1995	Bluff	.....	D21/503

D. 366,076	1/1996	Pedersen	.....	D21/621
D. 372,504	8/1996	Jacobsen	.....	D21/658
2,106,148	1/1938	Kellner	.	
4,203,248	5/1980	Tapdrup	.....	446/128
4,940,442	7/1990	Matsuda	.....	446/95
5,049,104	9/1991	Olsen	.....	446/104
5,645,463	7/1997	Olsen	.....	446/104

*Primary Examiner*—Raphael Barkai  
*Attorney, Agent, or Firm*—Kane, Dalsimer, Sullivan,  
Kurucz, Levy, Eisele and Richard, LLP

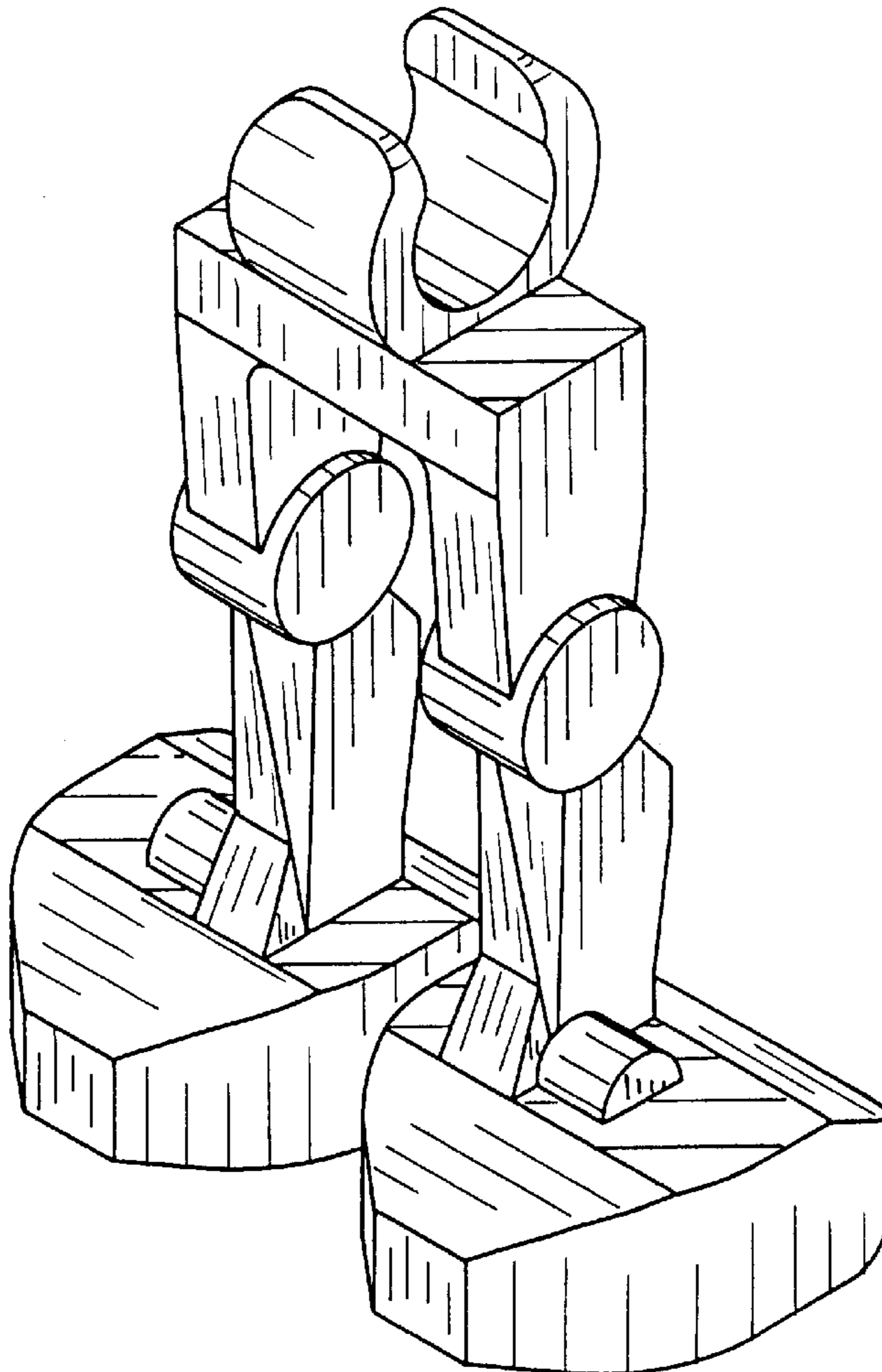
[57] **CLAIM**

The ornamental design for a toy building element, as shown and described.

**DESCRIPTION**

FIG. 1 is a top perspective view of the toy building element, FIG. 2 is a bottom plan view thereof, FIG. 3 is a front elevational view thereof, FIG. 4 is a top plan view thereof, FIG. 5 is a right side elevational view thereof, FIG. 6 is left side elevational view thereof, FIG. 7 is rear elevational view thereof; and, FIG. 8 is a bottom perspective view thereof.

**1 Claim, 3 Drawing Sheets**



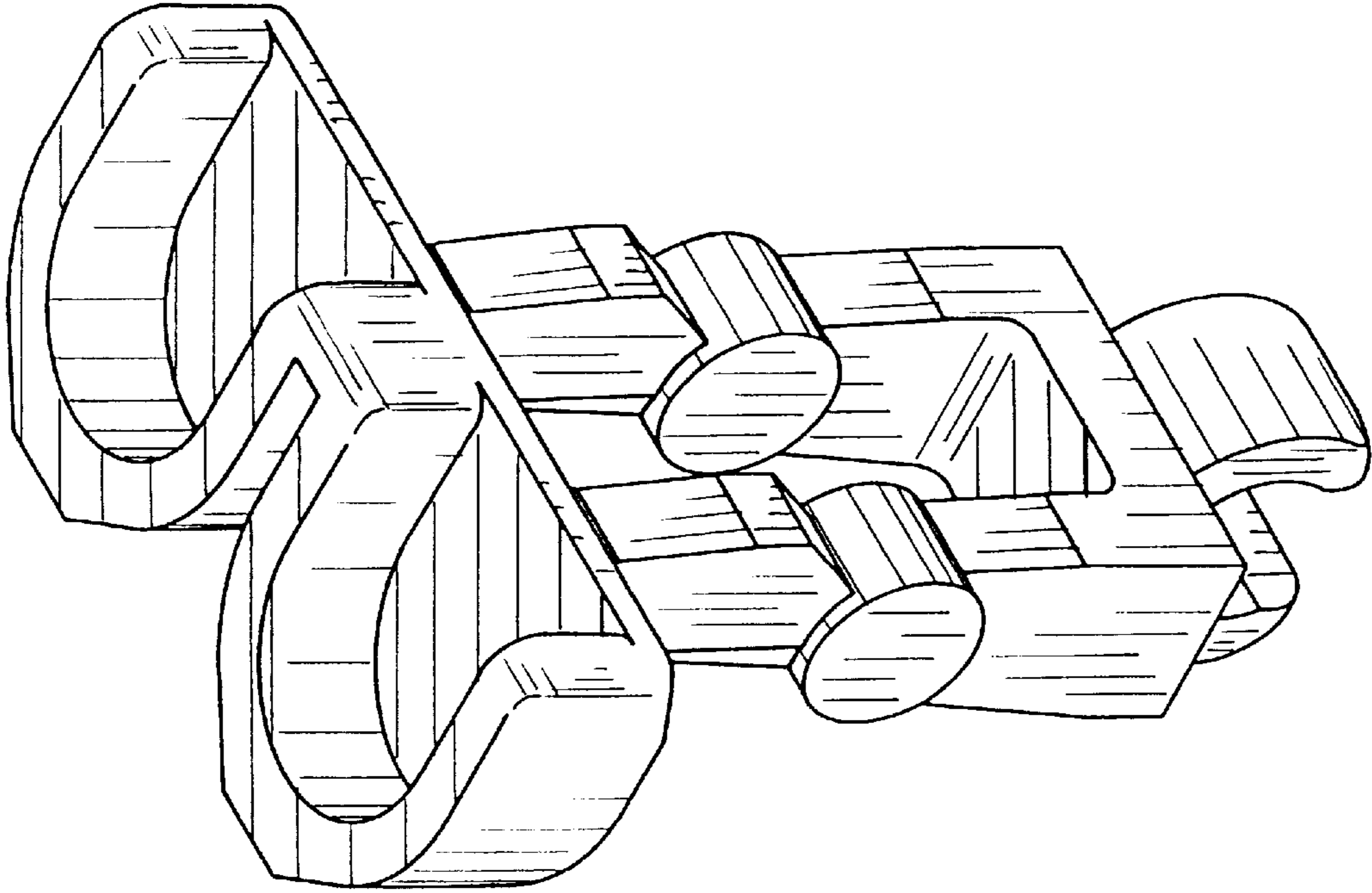


FIG. 8

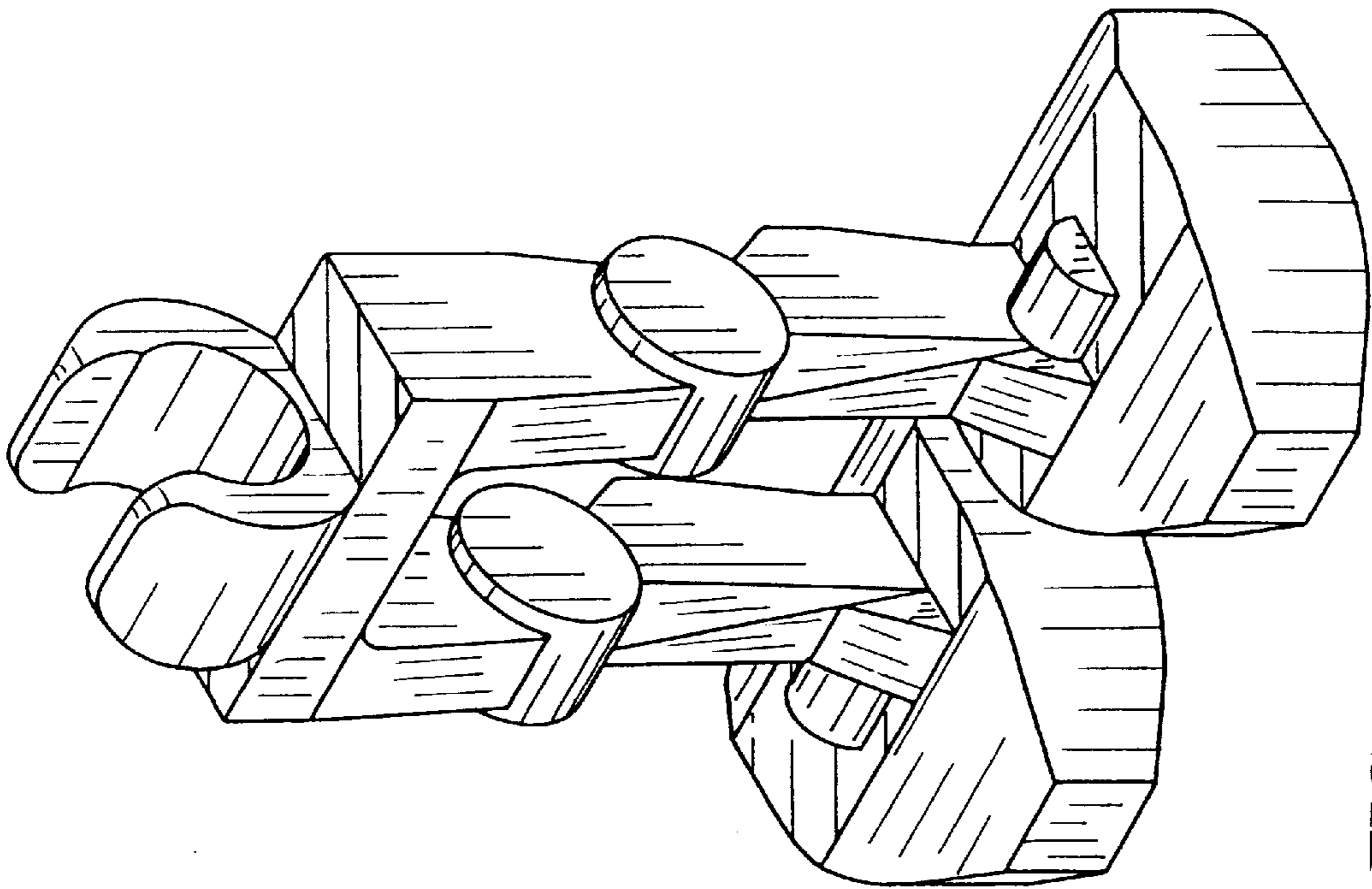


FIG. 1

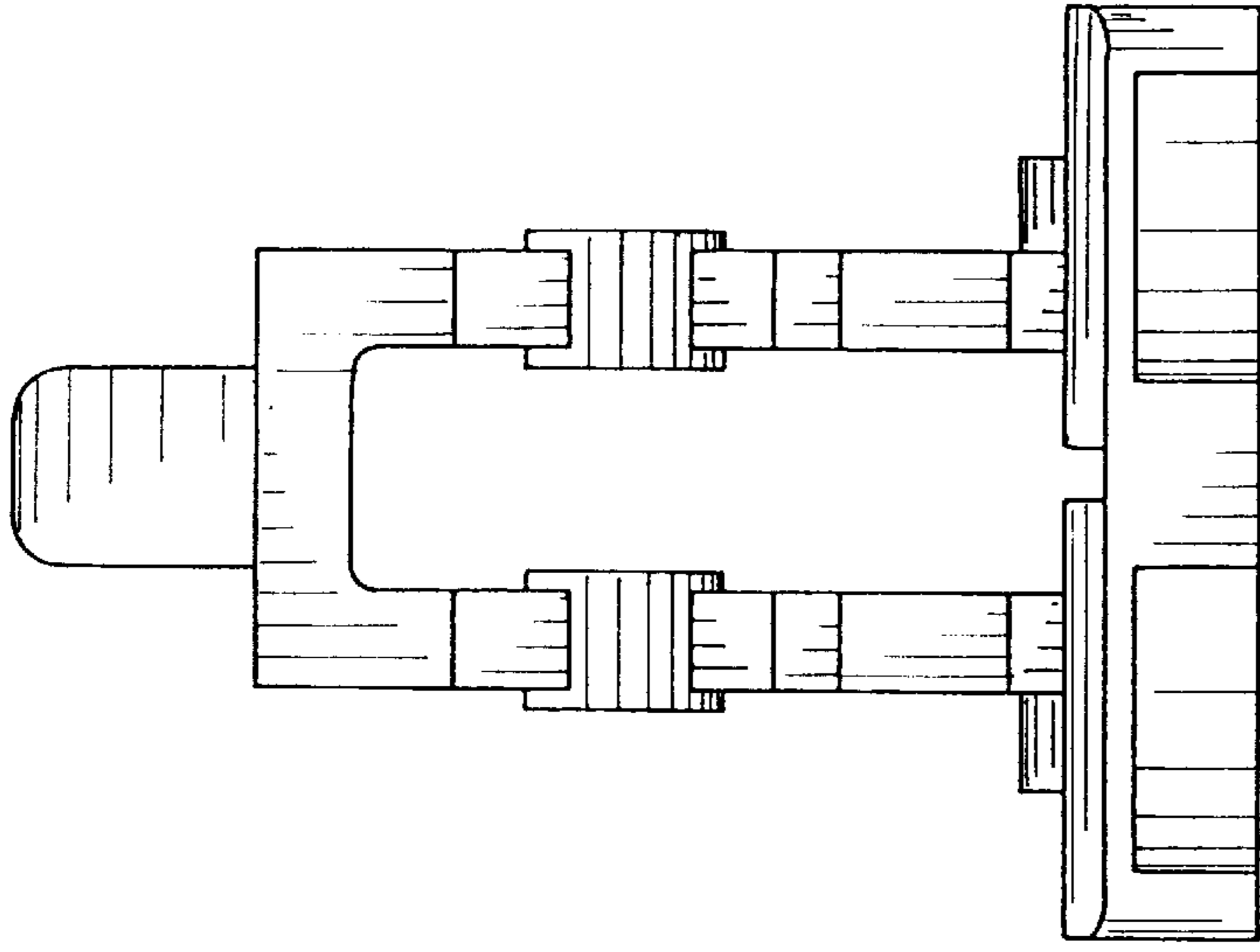


FIG. 7

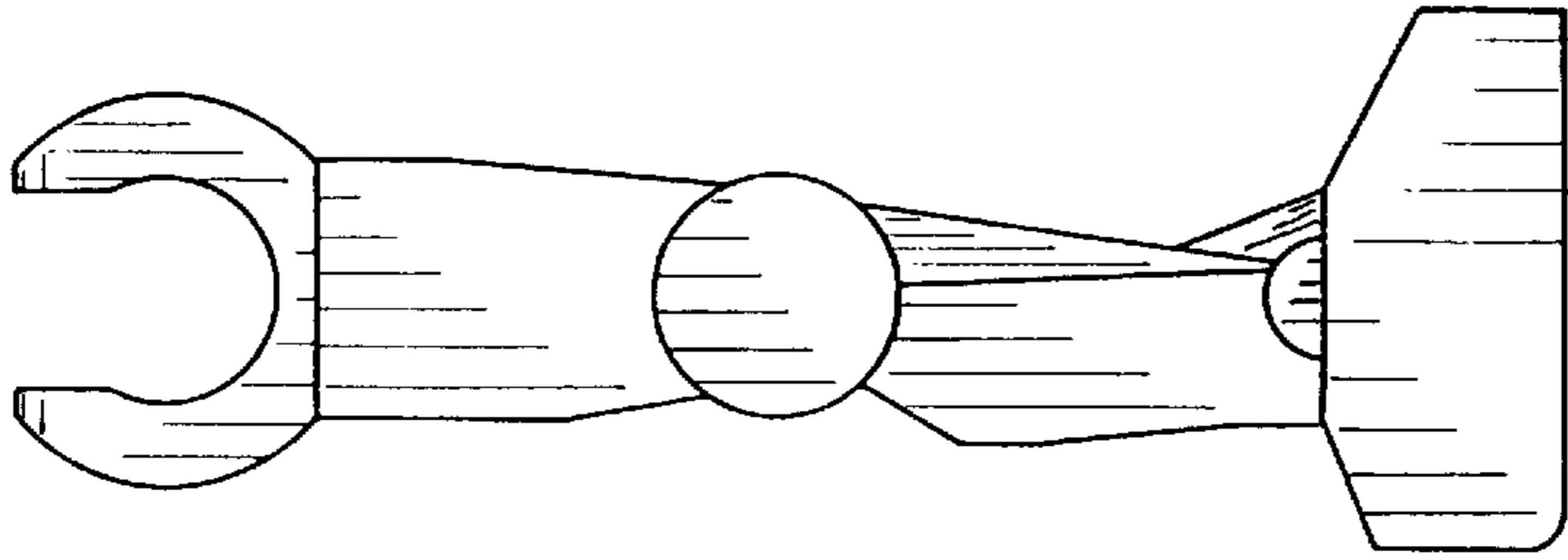


FIG. 6

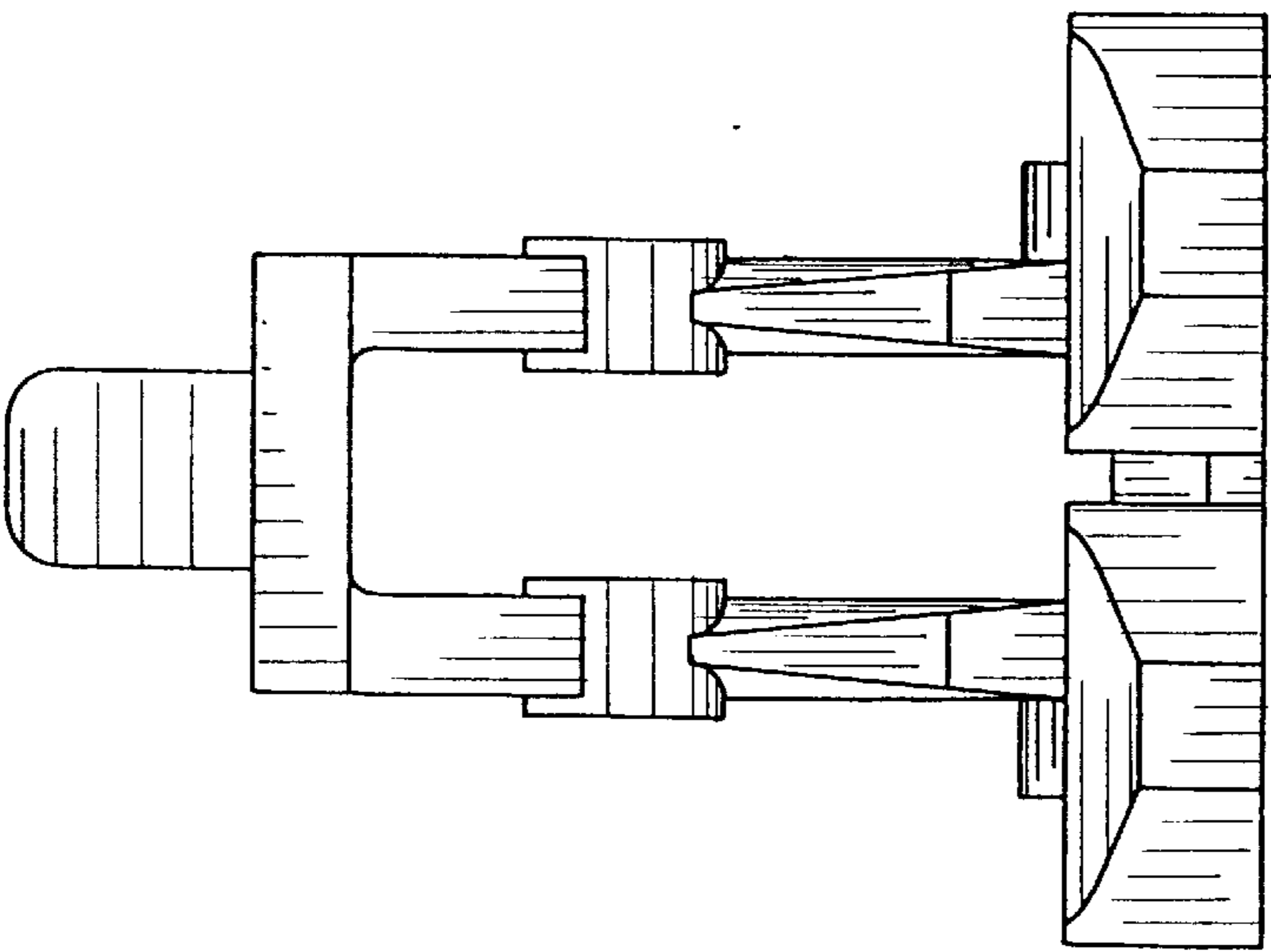


FIG. 3

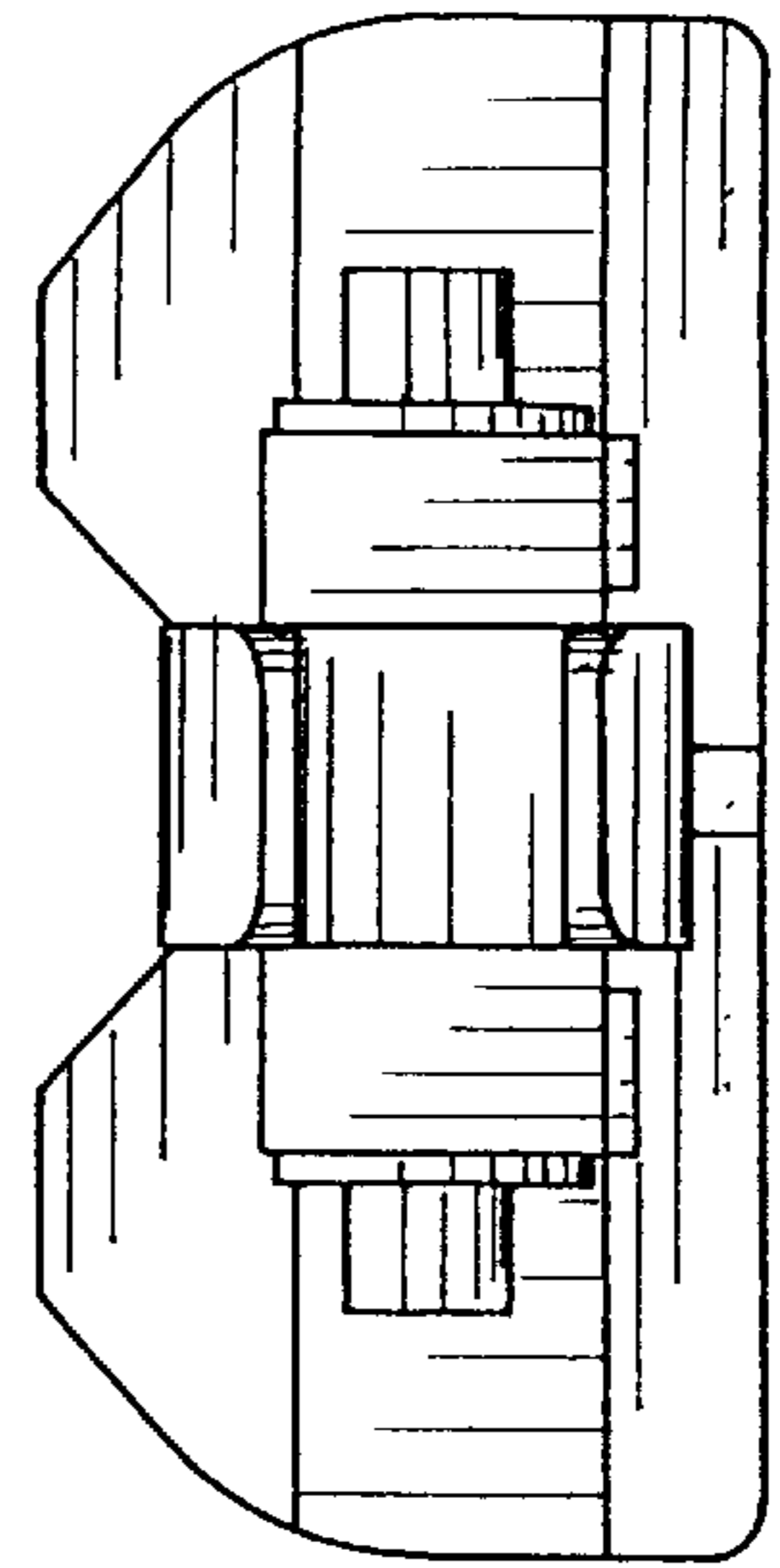


FIG. 4

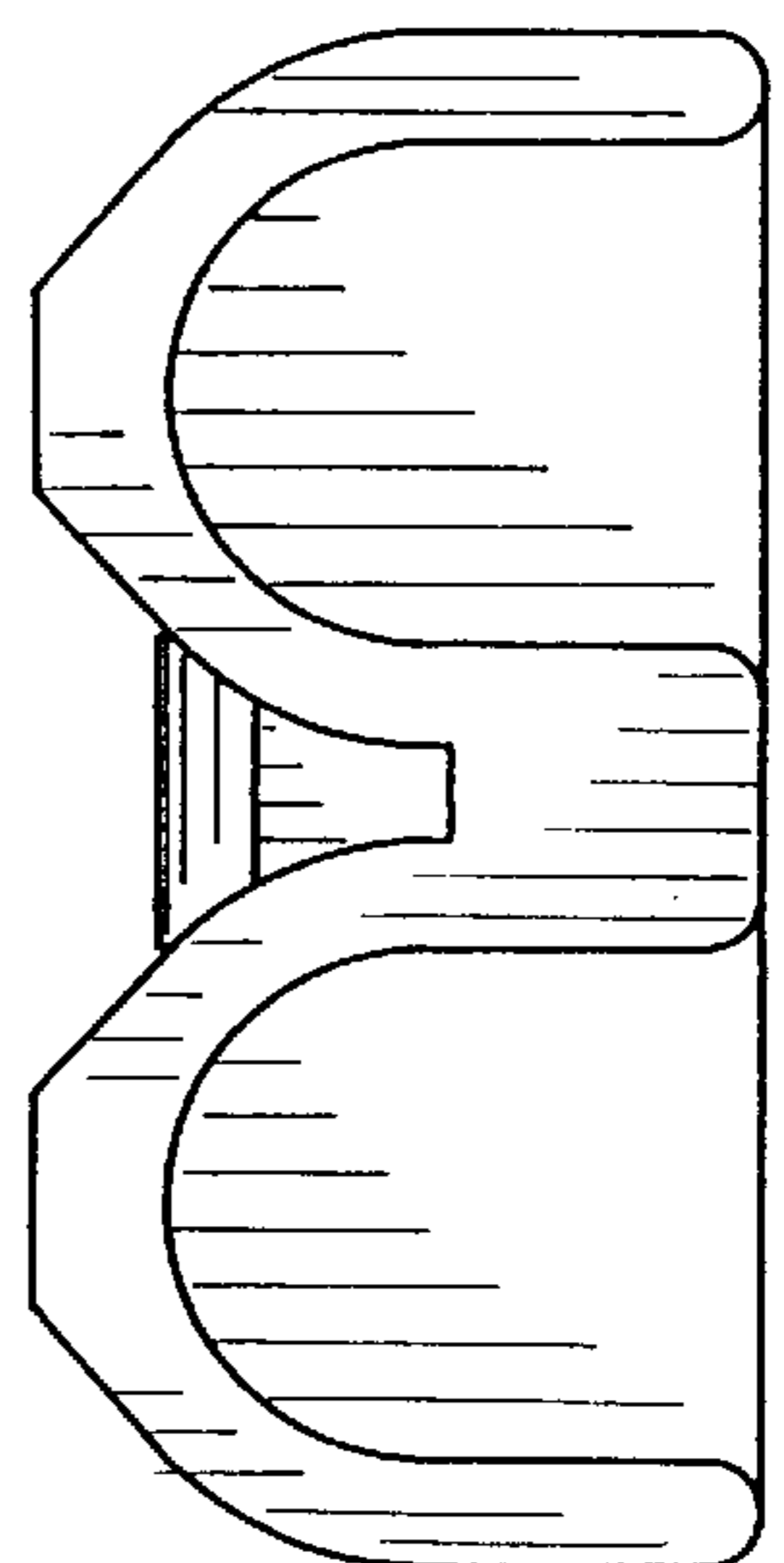


FIG. 2

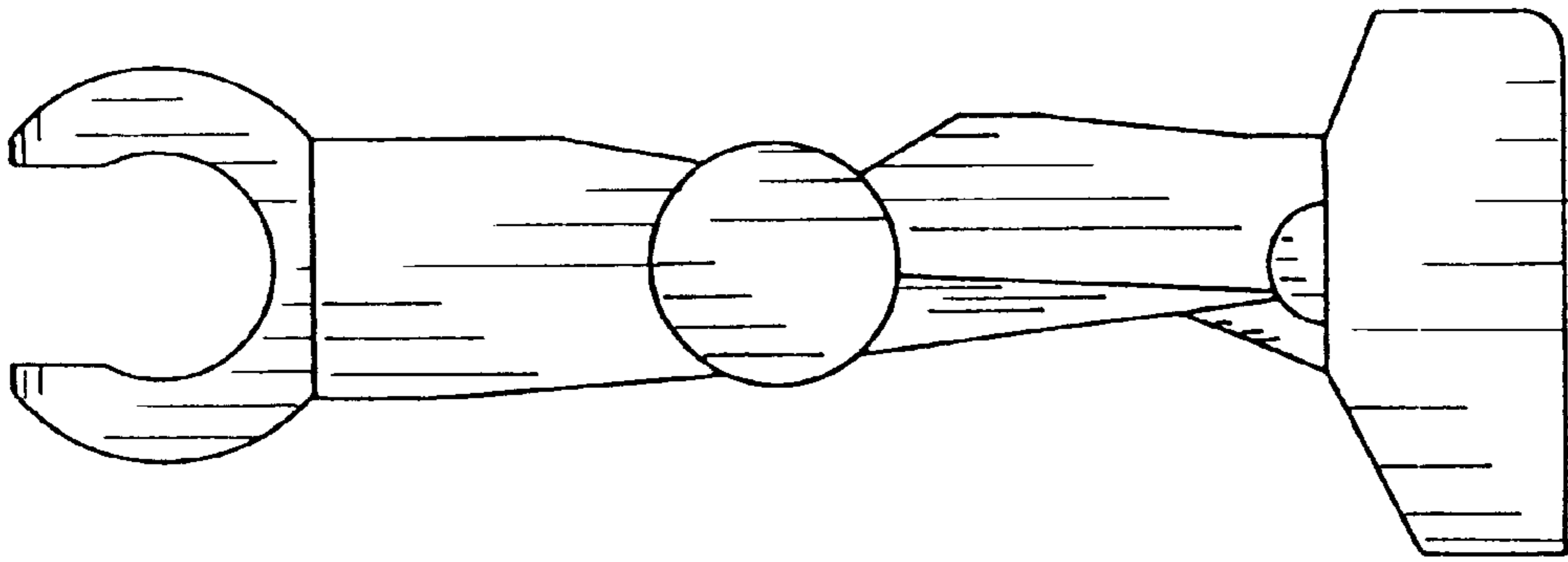


FIG. 5