



US00D419615S

# United States Patent [19]

Thomas et al.

[11] Patent Number: **Des. 419,615**

[45] Date of Patent: **\*\* Jan. 25, 2000**

[54] **BOAT POUNDING TOY**

[75] Inventors: **Gregory Bennett Thomas**, Fremont;  
**John S. Caldwell**, Los Gatos, both of Calif.

[73] Assignee: **Discovery Toys**, Livermore, Calif.

[\*\*] Term: **14 Years**

[21] Appl. No.: **29/091,167**

[22] Filed: **Jul. 24, 1998**

[51] **LOC (7) Cl.** ..... **21-01**

[52] **U.S. Cl.** ..... **D21/470**

[58] **Field of Search** ..... D21/470, 546;  
446/1

[56] **References Cited**

**U.S. PATENT DOCUMENTS**

|            |         |                 |           |
|------------|---------|-----------------|-----------|
| D. 113,170 | 1/1939  | Miller .....    | D21/470 X |
| D. 160,499 | 10/1950 | Hughes .        |           |
| D. 173,107 | 9/1954  | Green .....     | D21/470   |
| D. 186,031 | 9/1959  | Redka .....     | D21/470   |
| D. 189,199 | 11/1960 | Allen et al. .  |           |
| D. 204,287 | 4/1966  | Thompson .      |           |
| D. 349,135 | 7/1994  | Strayer .....   | D21/470   |
| D. 359,532 | 6/1995  | Bro et al. .... | D21/470   |
| 1,591,554  | 7/1926  | Guion .         |           |

|           |         |                |       |
|-----------|---------|----------------|-------|
| 2,197,976 | 4/1940  | Fletcher ..... | 446/1 |
| 2,530,898 | 11/1950 | Morrison .     |       |
| 3,138,894 | 6/1964  | LaReaux .      |       |
| 4,894,041 | 1/1990  | Dahlgren .     |       |

**OTHER PUBLICATIONS**

Brochure entitled "Strike-A-Ball" Discovery Toys, Inc., 1995, 13 pages.  
Page from Barry Toyecraft Catalog, Mar. 10, 1965, 1 page.

*Primary Examiner*—Dominic Simone  
*Attorney, Agent, or Firm*—Ohlandt, Greeley, Ruggiero & Perle, L.L.P.

[57] **CLAIM**

The ornamental design for the boat pounding toy, as shown and described.

**DESCRIPTION**

FIG. 1 is a perspective view of a boat pounding toy showing our new design, the hammer and balls shown in broken lines for illustrative purposes only and forms no part of the claimed design;

FIG. 2 is a front elevational view thereof;

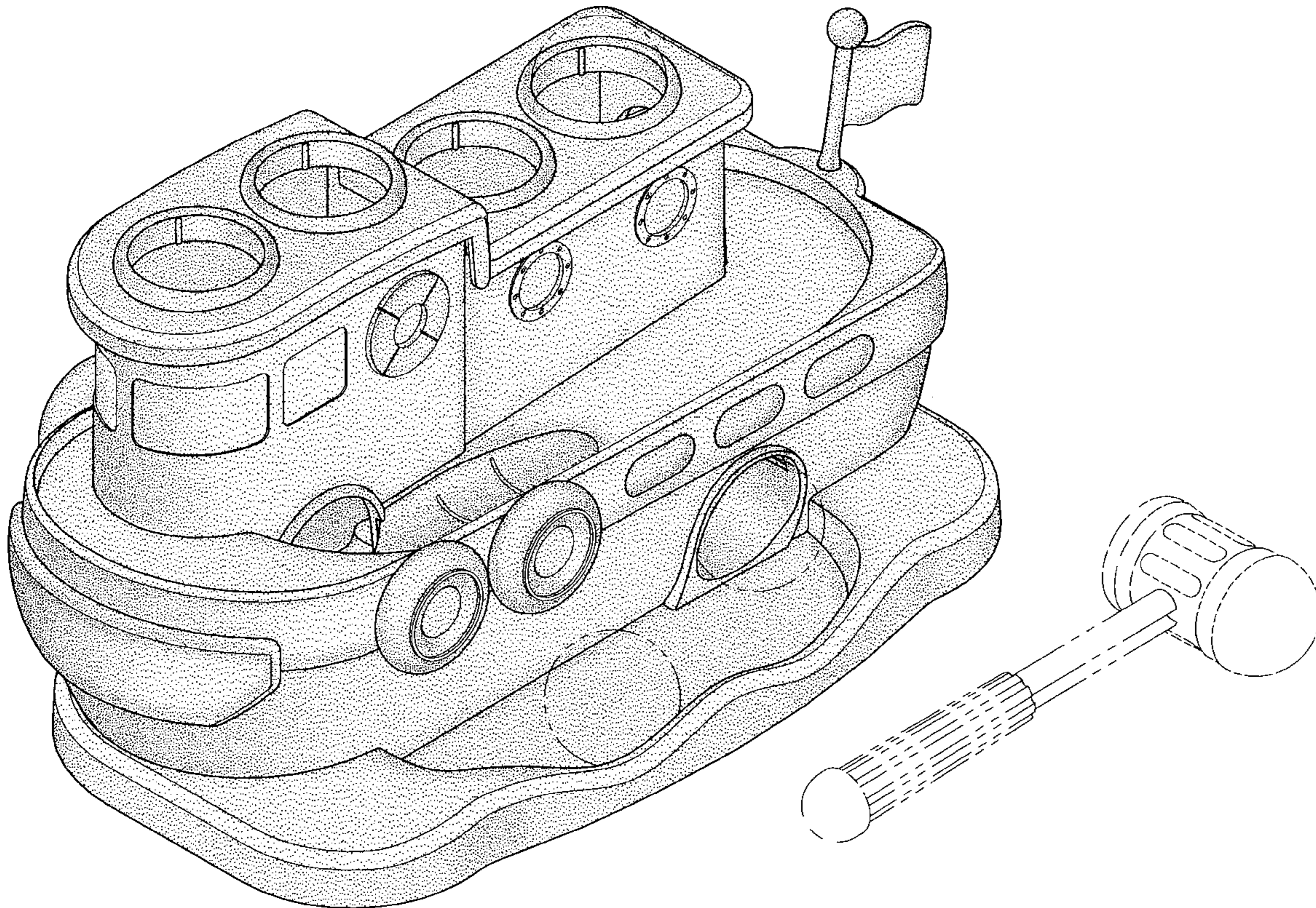
FIG. 3 is a rear elevational view thereof;

FIG. 4 right side elevational view thereof;

FIG. 5 is a left side elevational view thereof; and,

FIG. 6 is a top plan view thereof.

**1 Claim, 6 Drawing Sheets**



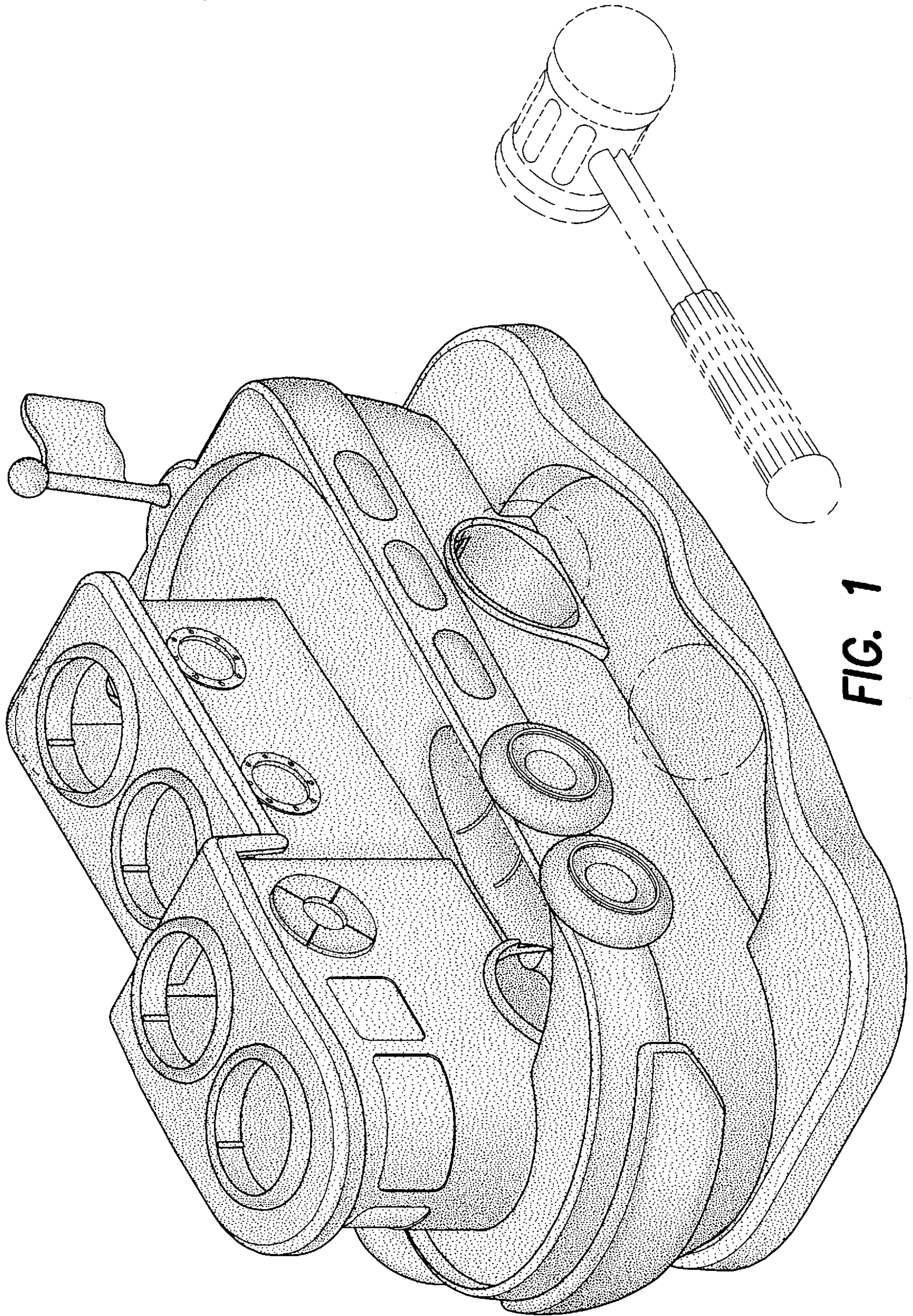


FIG. 1

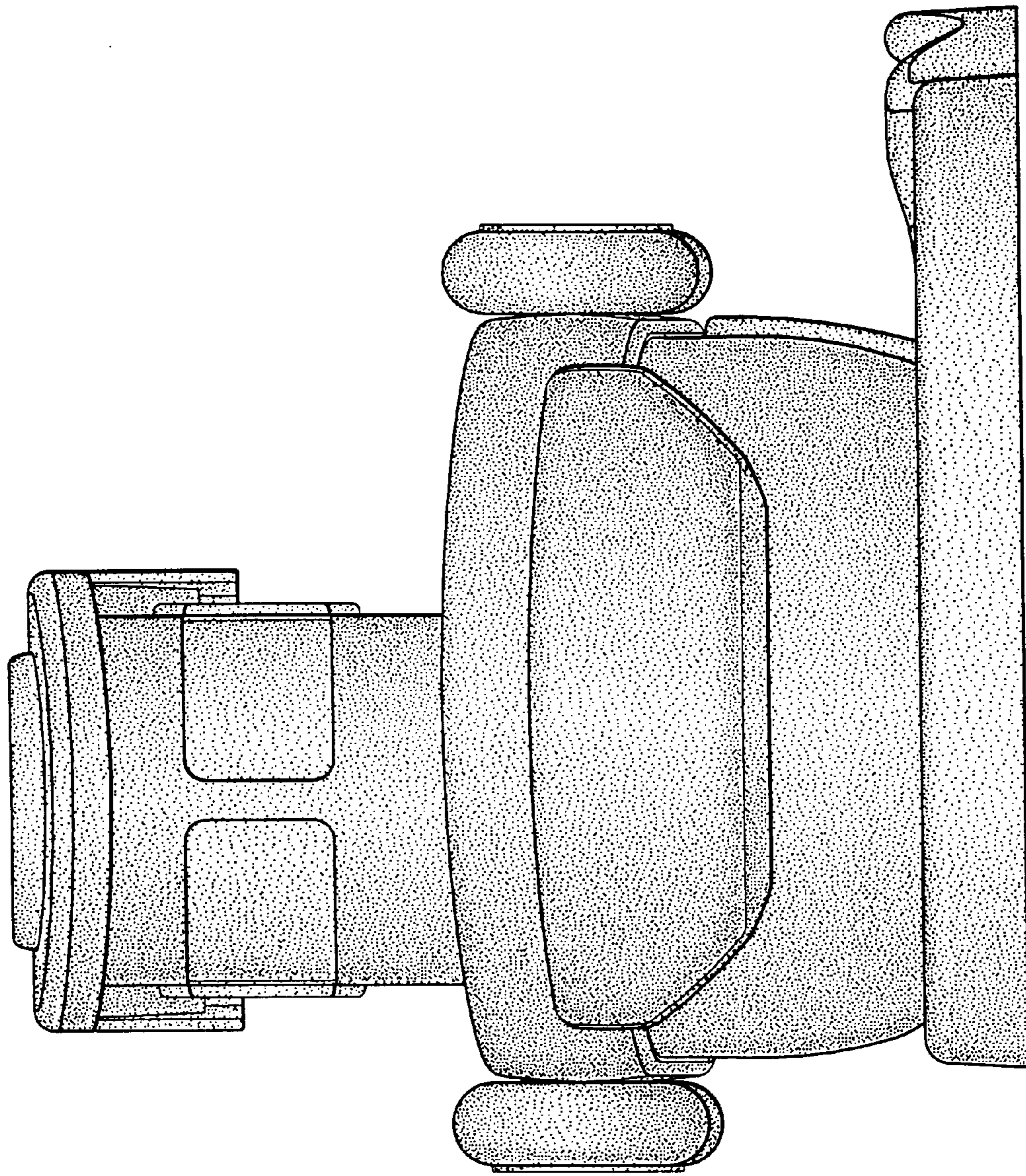


FIG. 2

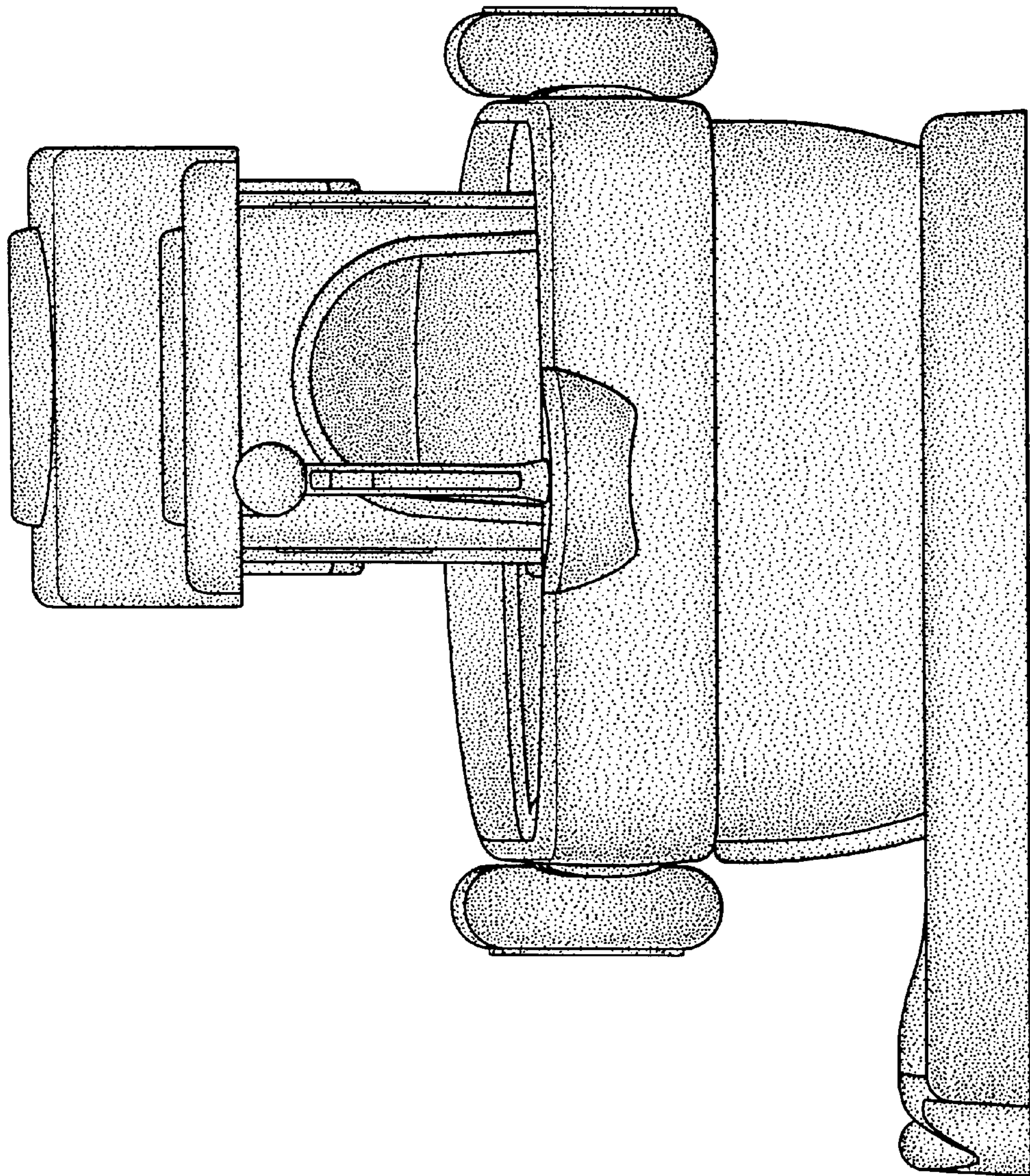


FIG. 3

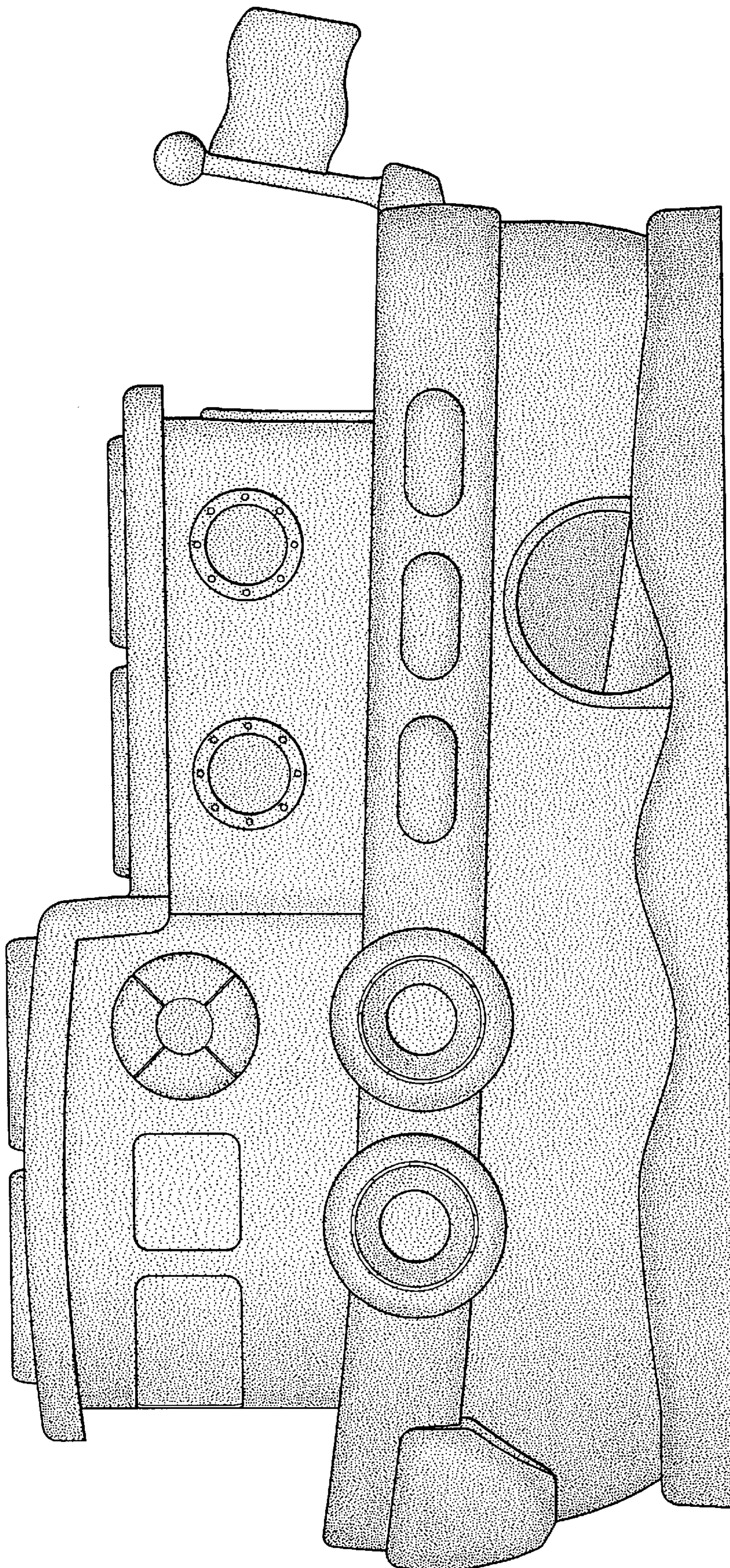


FIG. 4

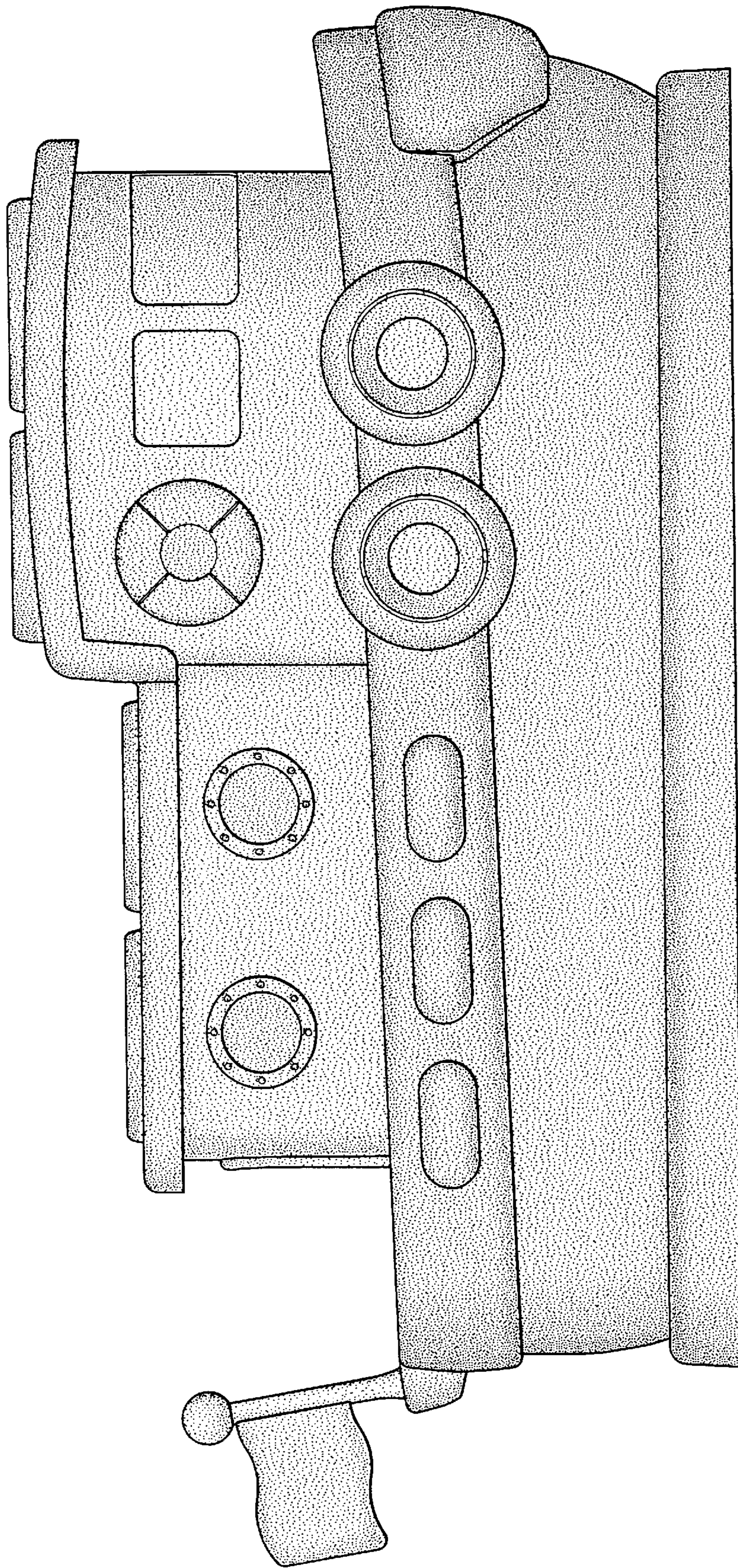


FIG. 5

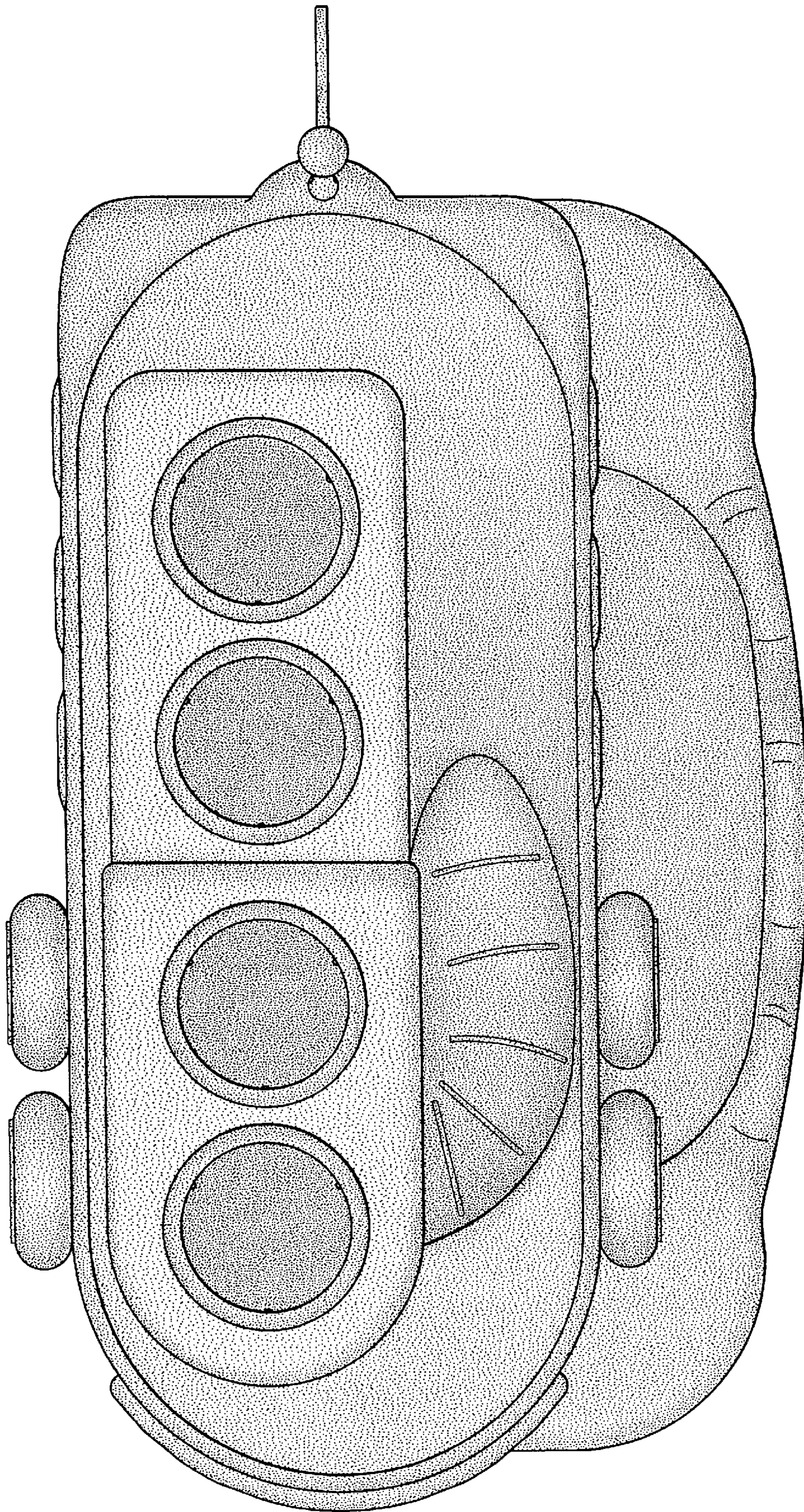


FIG. 6