



US00D419605S

# United States Patent [19]

Thomas et al.

[11] Patent Number: **Des. 419,605**

[45] Date of Patent: **\*\* Jan. 25, 2000**

[54] **MULTI-PURPOSE KIOSK**

[75] Inventors: **Edwin J. Thomas**, Akron; **Eric D. Anderson**, North Canton, both of Ohio

[73] Assignee: **Steere Enterprises, Inc.**, Tallmadge, Ohio

[\*\*] Term: **14 Years**

[21] Appl. No.: **29/097,445**

[22] Filed: **Dec. 7, 1998**

### Related U.S. Application Data

[63] Continuation-in-part of application No. 29/078,027, Oct. 15, 1997, Pat. No. Des. 404,500.

[51] **LOC (7) Cl.** ..... **20-03**

[52] **U.S. Cl.** ..... **D20/19; D34/1; D25/16; D20/10**

[58] **Field of Search** ..... D34/1, 6, 7, 11; 220/908, 908.3; 40/611, 312, 584, 306; D25/16; 473/405; D20/10, 19, 41; 232/43.2; 312/108, 205, 228, 383, 211, 236, 114

### [56] References Cited

#### U.S. PATENT DOCUMENTS

D. 62,668	7/1923	Connor	.....	D34/1
D. 223,956	6/1972	Kenerson	.....	D34/7
D. 345,217	3/1994	Pearlson	.....	D25/16
D. 369,007	4/1996	Jones	.....	D34/1
D. 404,500	1/1999	Thomas et al.	.....	D25/16
2,831,610	4/1958	Dennie	.....	222/105
2,846,080	8/1958	Freeman	.....	211/148
3,704,925	12/1972	Scott	.....	312/228
3,803,738	4/1974	Weiss	.....	40/306
3,860,305	1/1975	Bergman	.....	312/114
3,866,824	2/1975	Lewis	.....	232/43.2
3,868,153	2/1975	Sholtes	.....	312/236
4,153,313	5/1979	Propst	.....	312/211
5,014,985	5/1991	Capps	.....	40/306 X
5,072,999	12/1991	Trotta et al.	.....	52/36.1
5,123,720	6/1992	Blomster et al.	.....	312/283

5,528,810	6/1996	Eddy et al.	.....	29/401.1
5,553,751	9/1996	Mowers	.....	222/183
5,573,142	11/1996	Morellato et al.	.....	222/129.1
5,645,331	7/1997	Eddy et al.	.....	312/205
5,647,648	7/1997	Duesler	.....	312/108

*Primary Examiner*—Susan J. Lucas  
*Assistant Examiner*—Jennifer Rivard  
*Attorney, Agent, or Firm*—Renner, Kenner, Greive, Bobak, Taylor & Weber

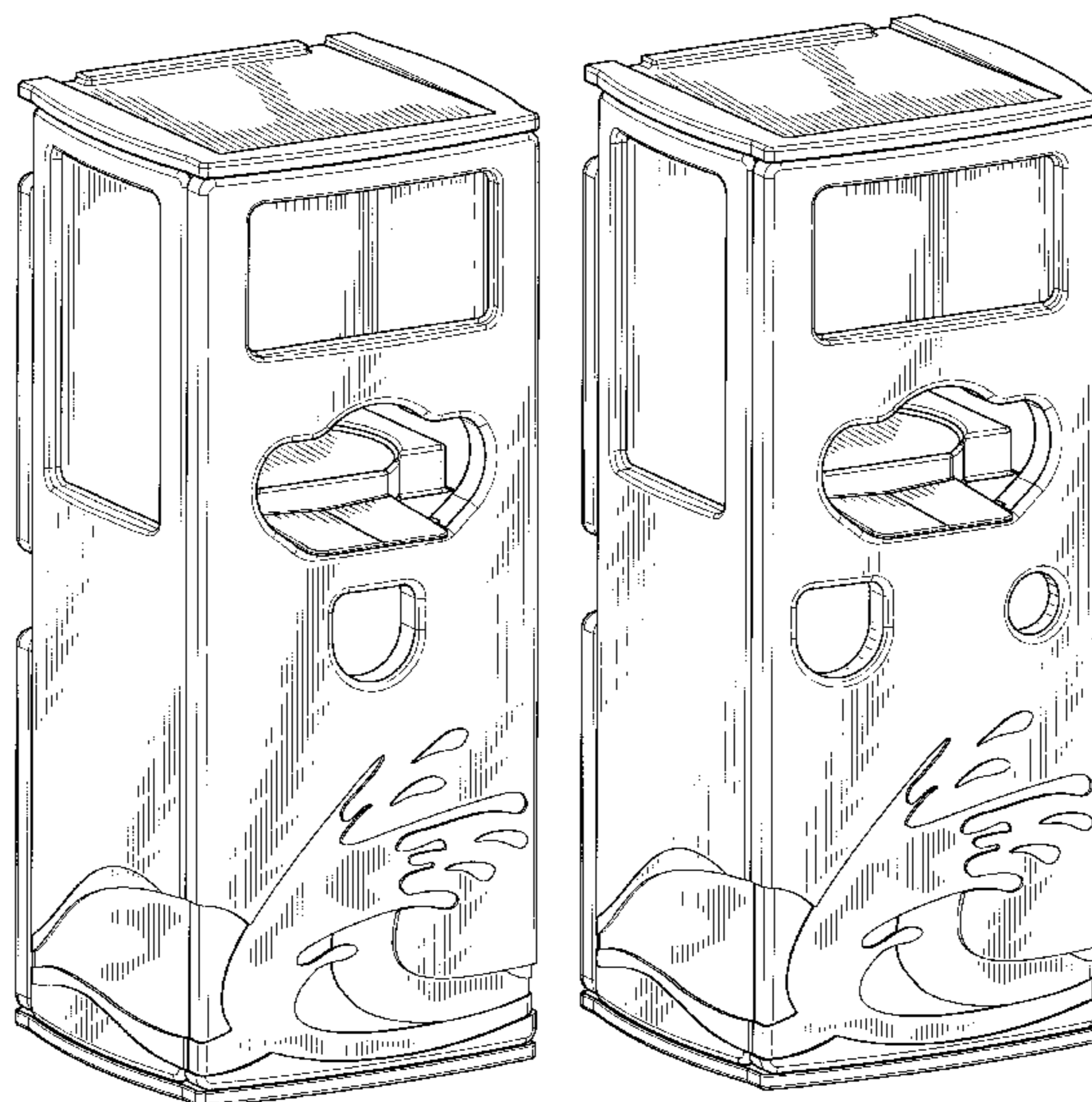
### [57] CLAIM

The ornamental design for a multi-purpose kiosk, as shown and described.

### DESCRIPTION

FIG. 1 is a perspective view which shows the front, one side and top of a multi-purpose kiosk embodying our new design; FIG. 2 is a frontal elevation of the kiosk depicted in FIG. 1; FIG. 3 is a right hand side view of the kiosk depicted in FIGS. 1 and 2; FIG. 4 is a rear view of the kiosk depicted in FIGS. 1-3; FIG. 5 is a left hand side view of the kiosk depicted in FIGS. 1 and 2; FIG. 6 is a top plan view of the kiosk depicted in FIGS. 1-5; and FIG. 7 is a bottom plan view of the kiosk depicted in FIGS. 1-5; FIG. 8 is a perspective view which shows the front, one side and top of a second embodiment of multi-purpose kiosk embodying our new design; FIG. 9 is a frontal elevation of the kiosk depicted in FIG. 8; FIG. 10 is a right hand side view of the kiosk depicted in FIGS. 8 and 9; FIG. 11 is a rear view of the kiosk depicted in FIGS. 8-10; FIG. 12 is a left hand side view of the kiosk depicted in FIGS. 8 and 9; FIG. 13 is a top plan view of the kiosk depicted in FIGS. 8-12; and, FIG. 14 is a bottom plan view of the kiosk depicted in FIGS. 8-12.

**1 Claim, 8 Drawing Sheets**



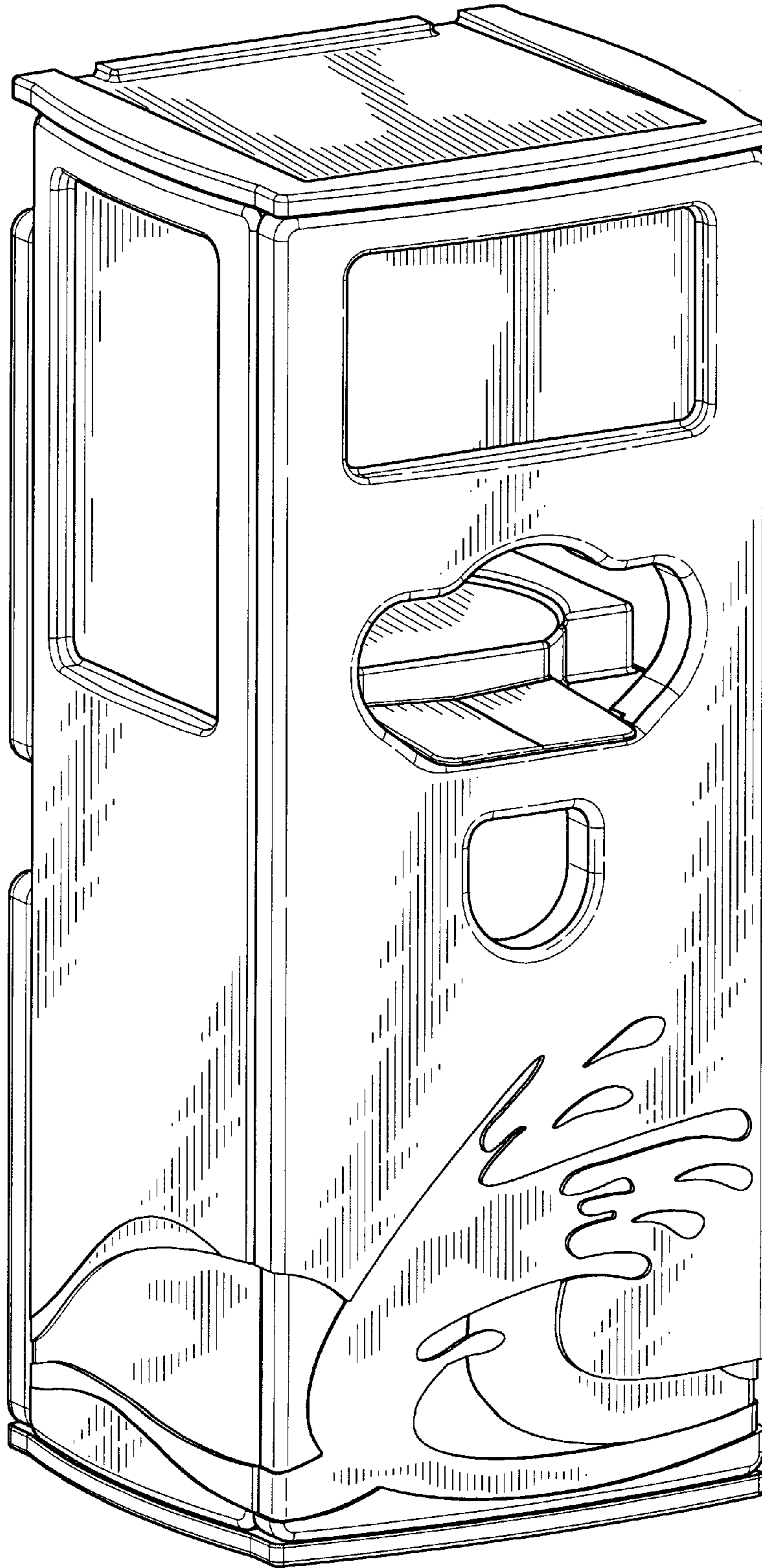


FIG-1

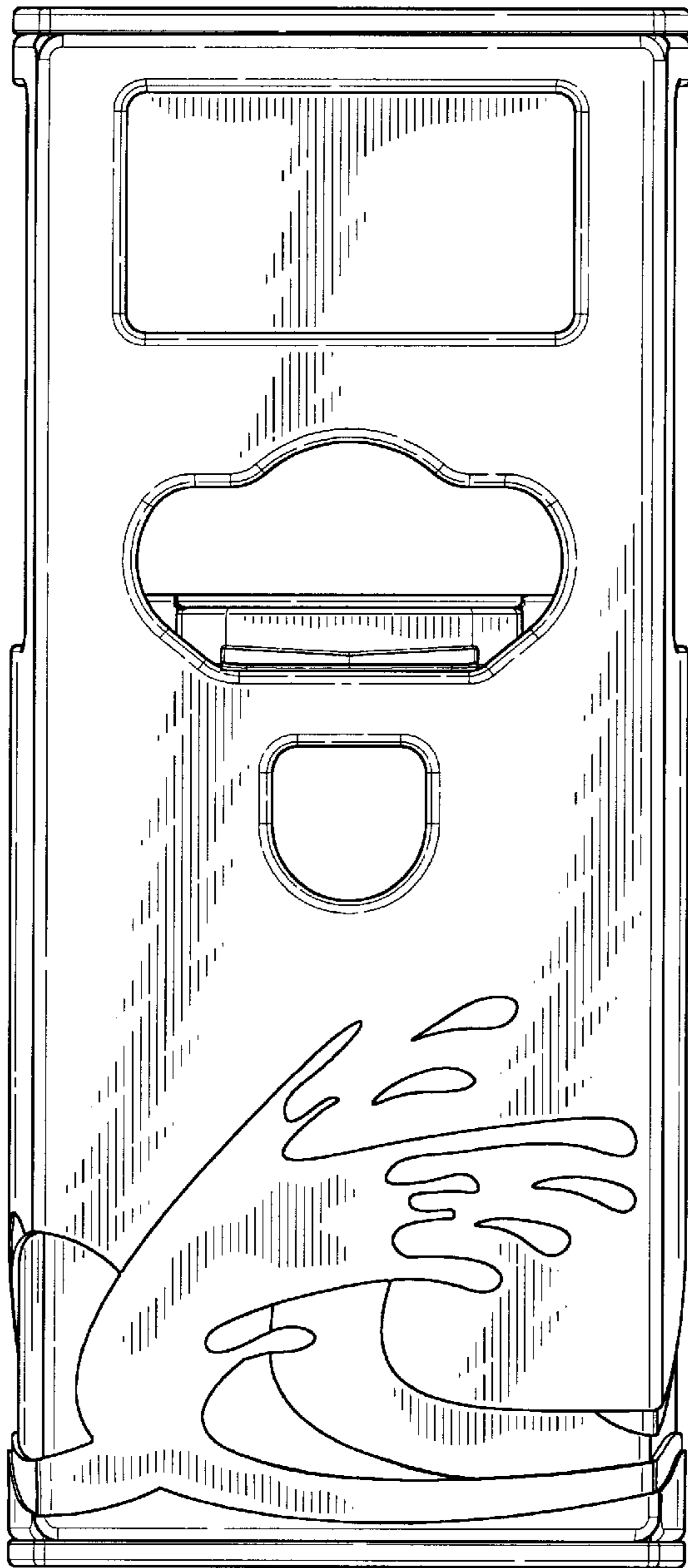


FIG-2

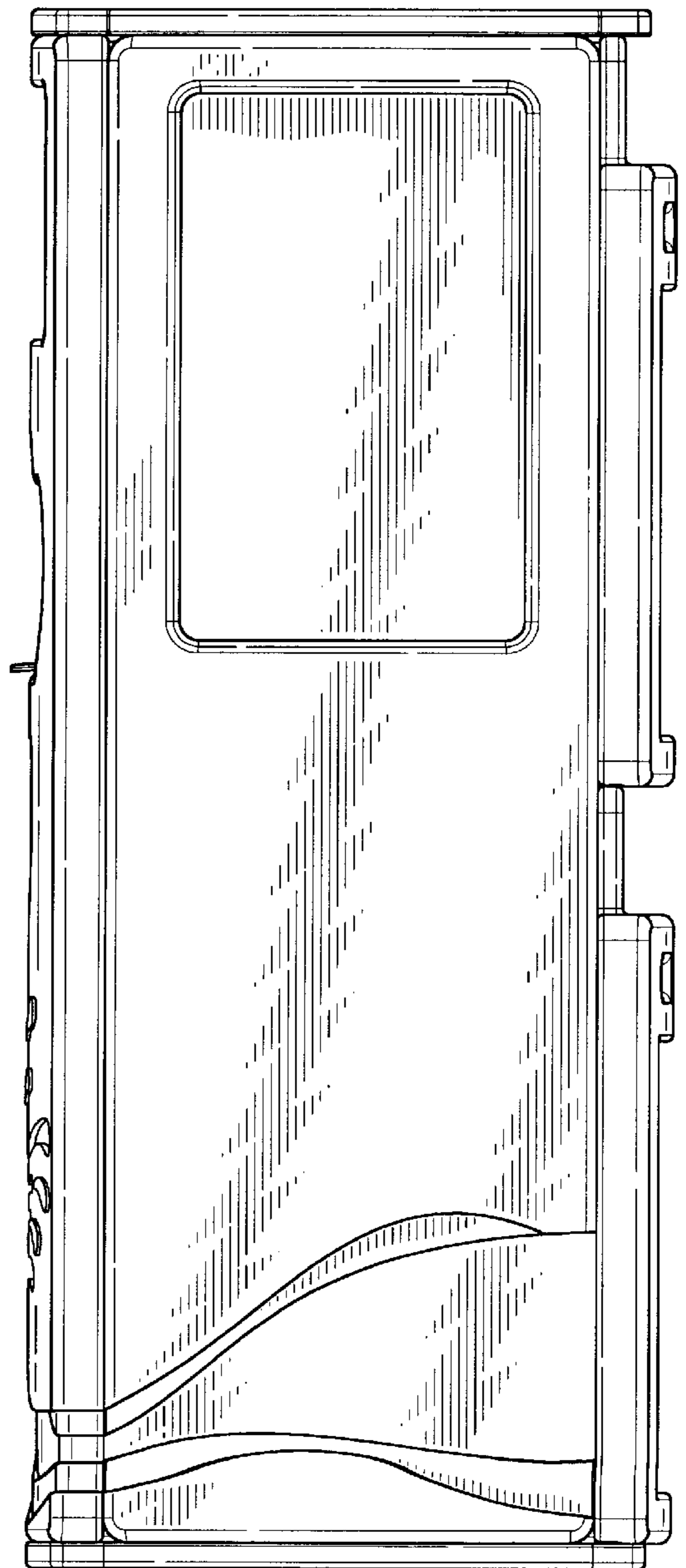


FIG-3

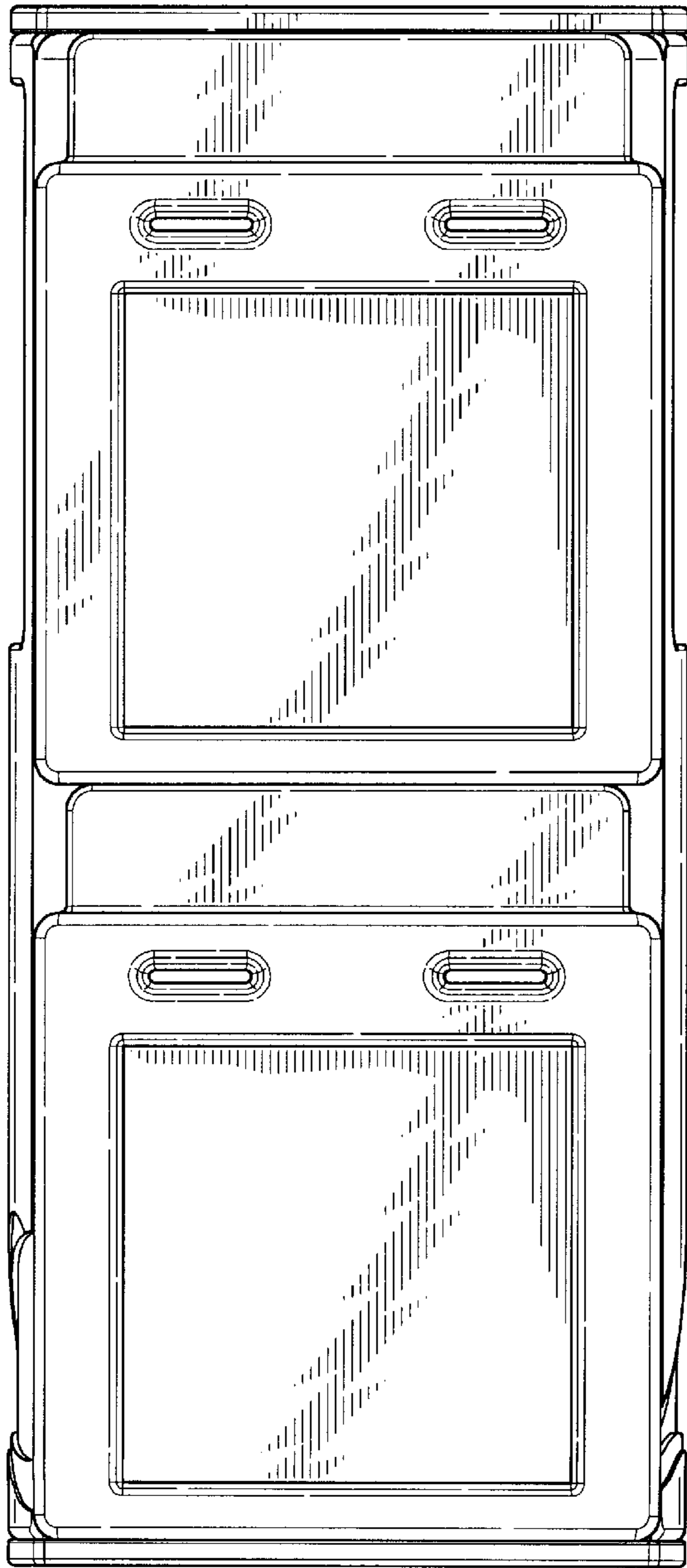


FIG-4

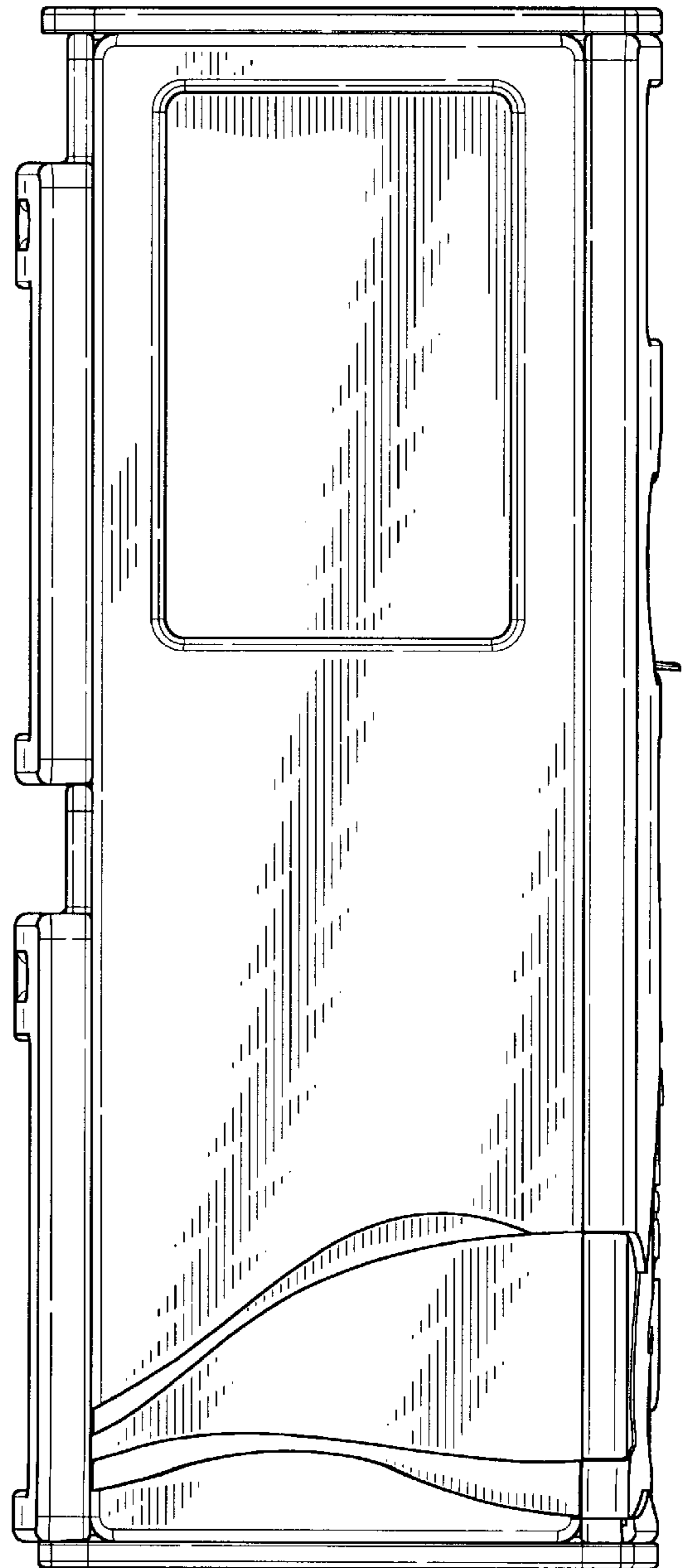


FIG-5

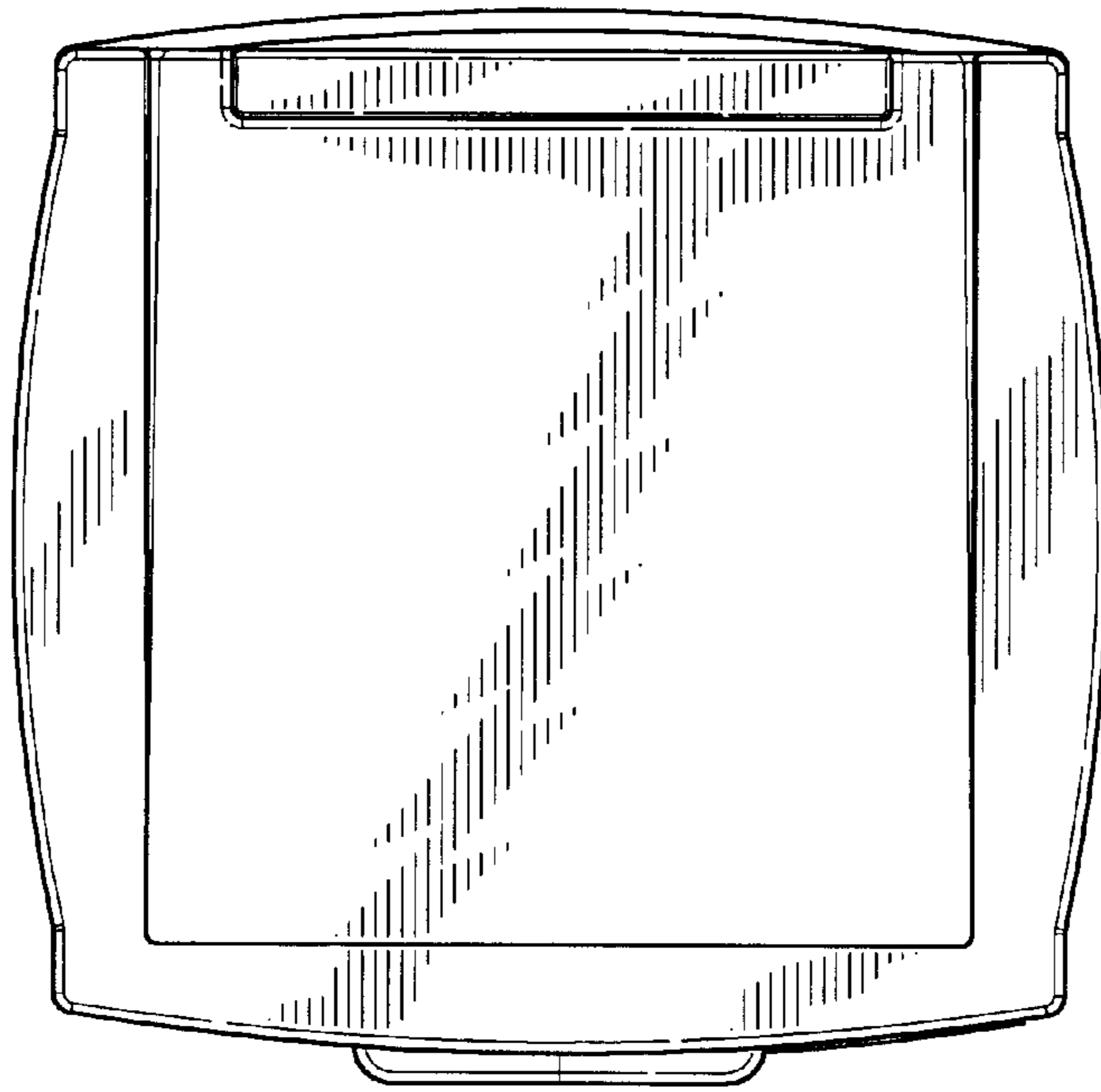


FIG-6

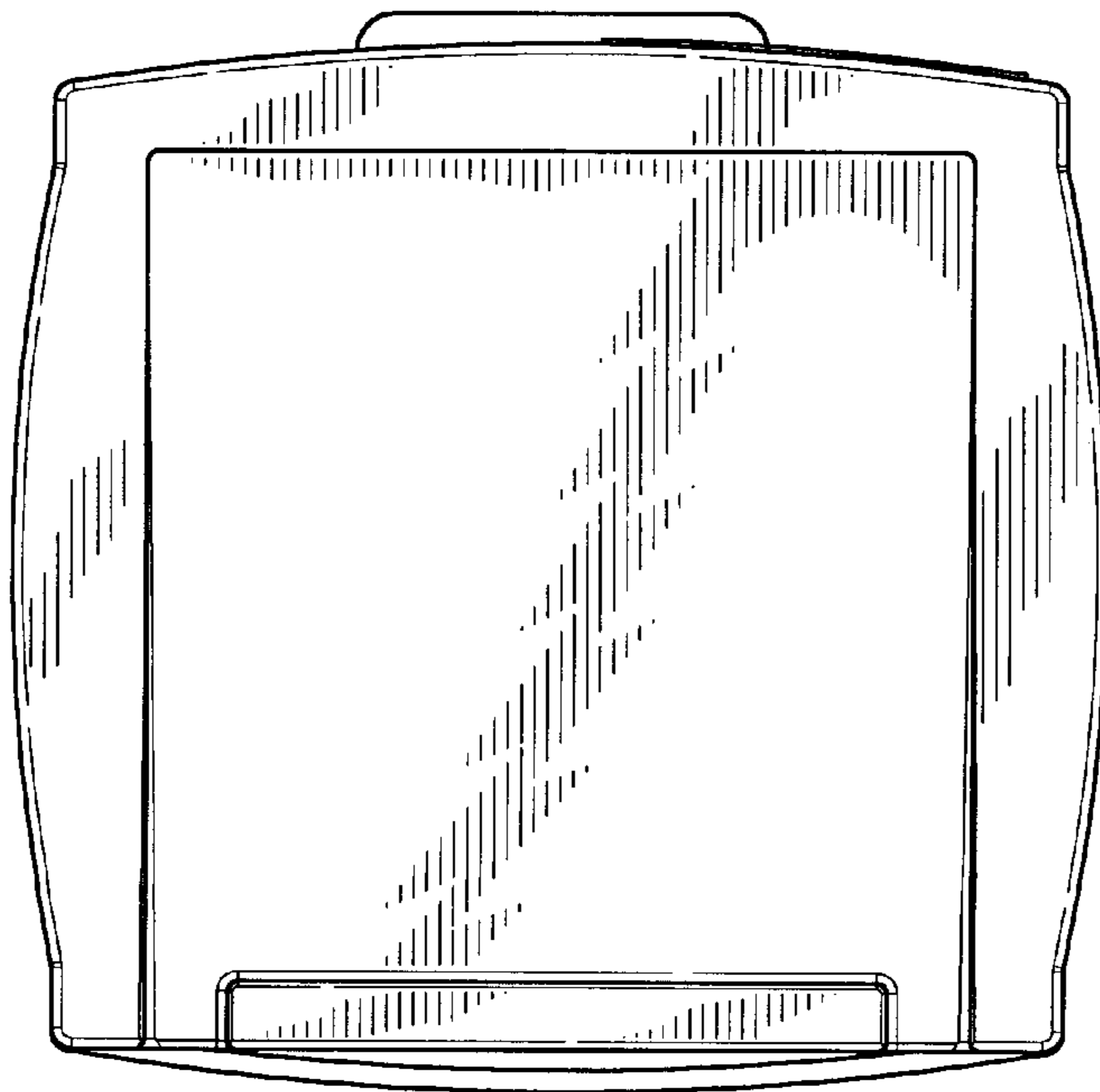


FIG-7

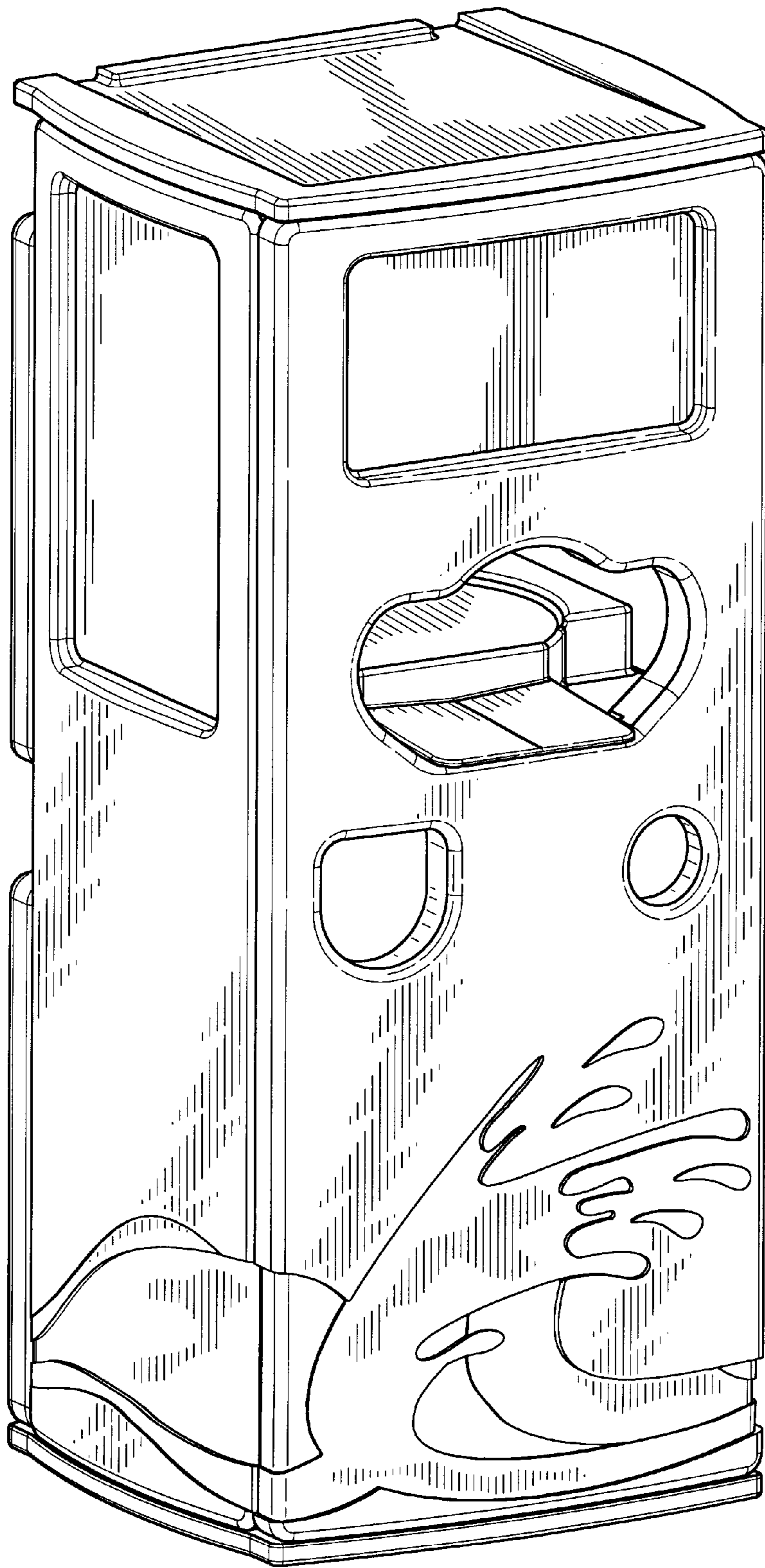


FIG-8

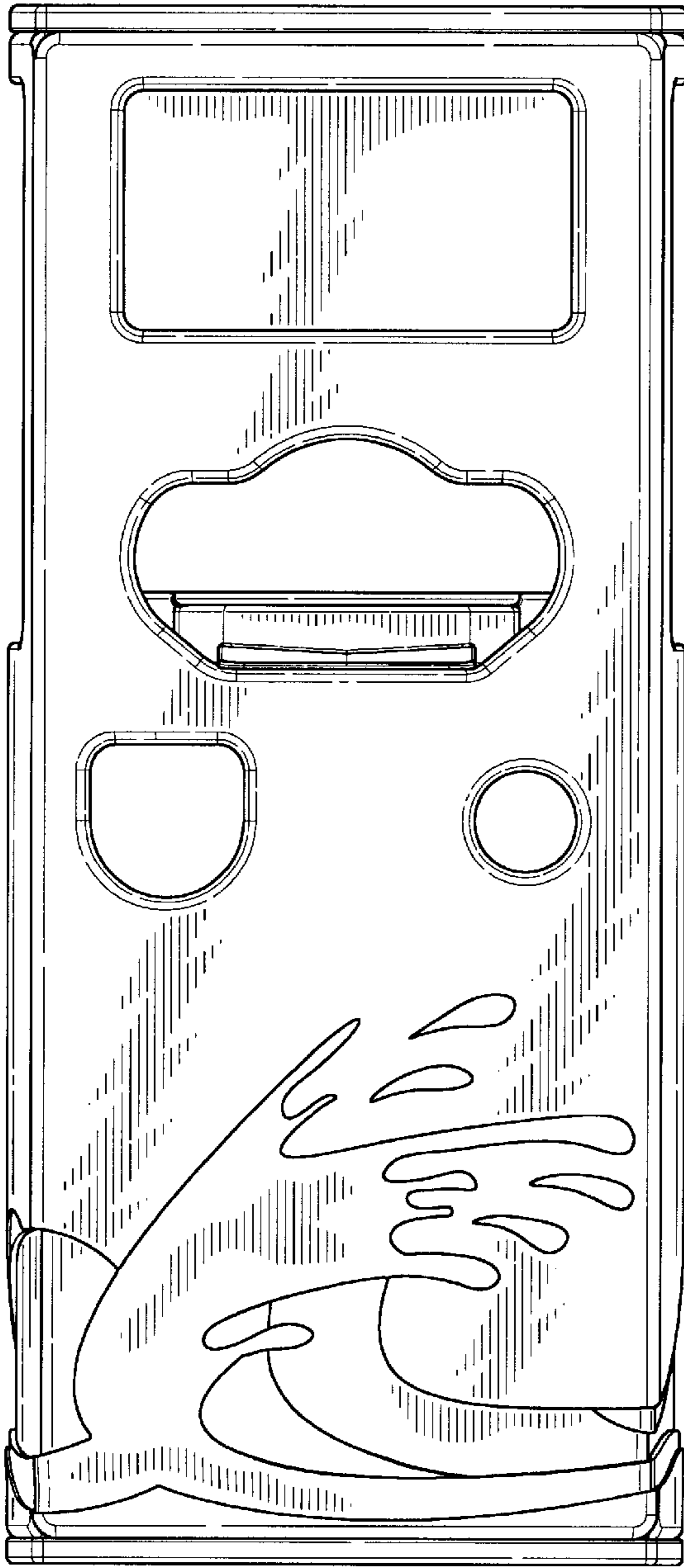


FIG-9

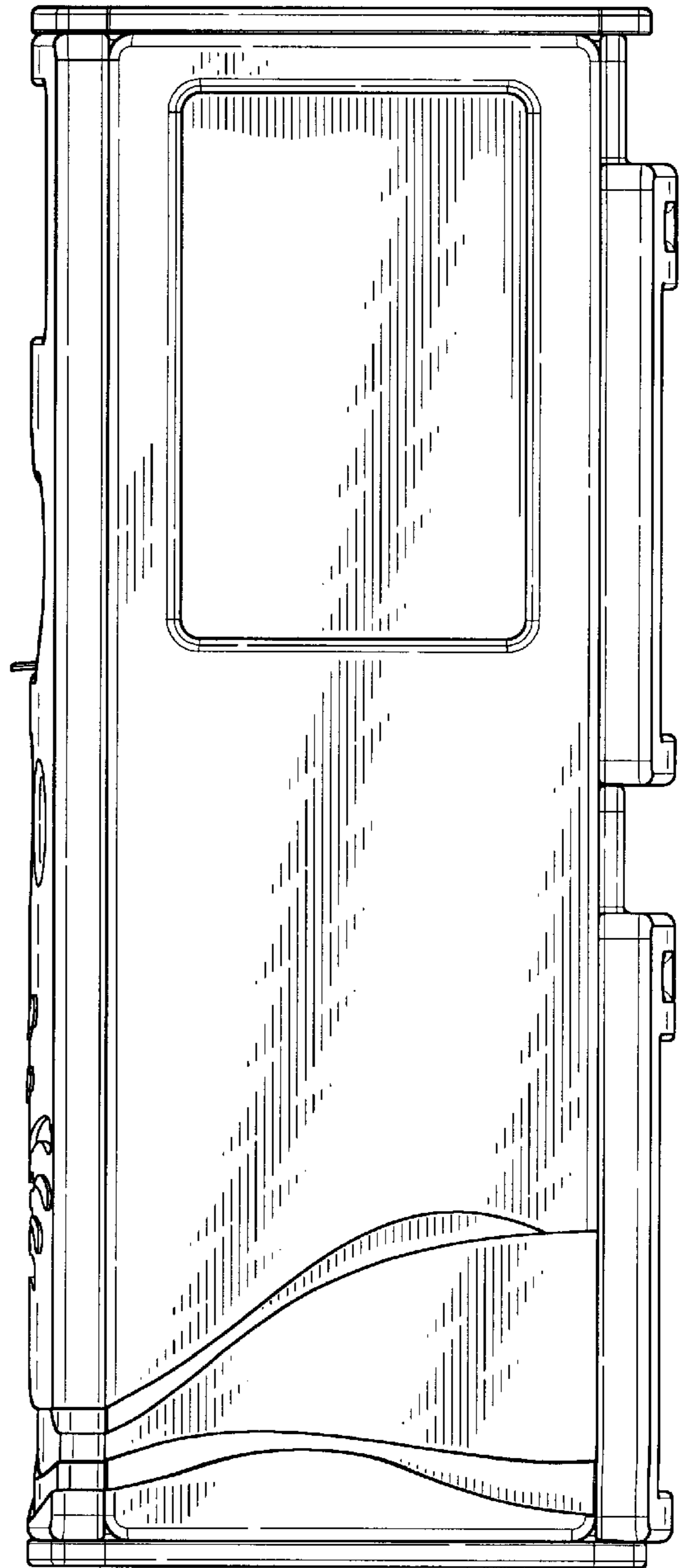


FIG-10

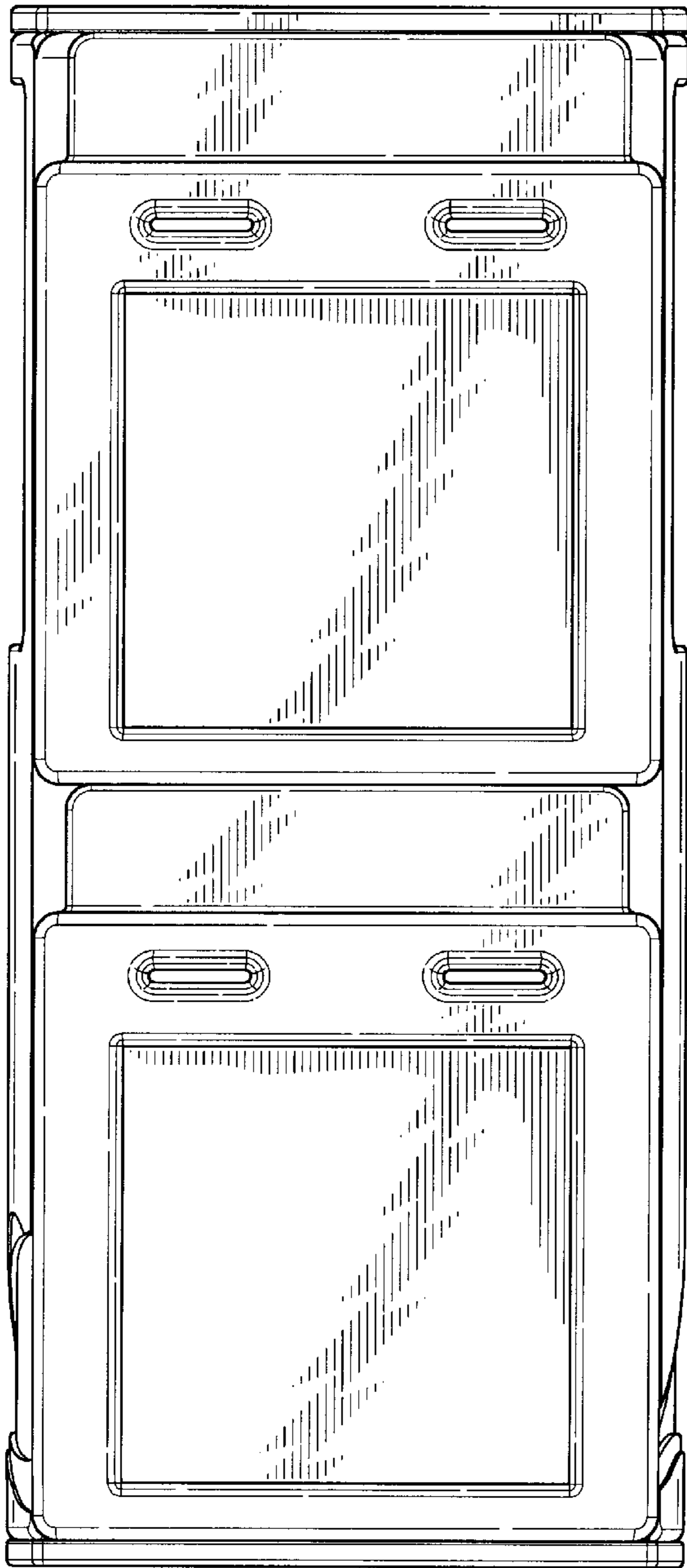


FIG-11

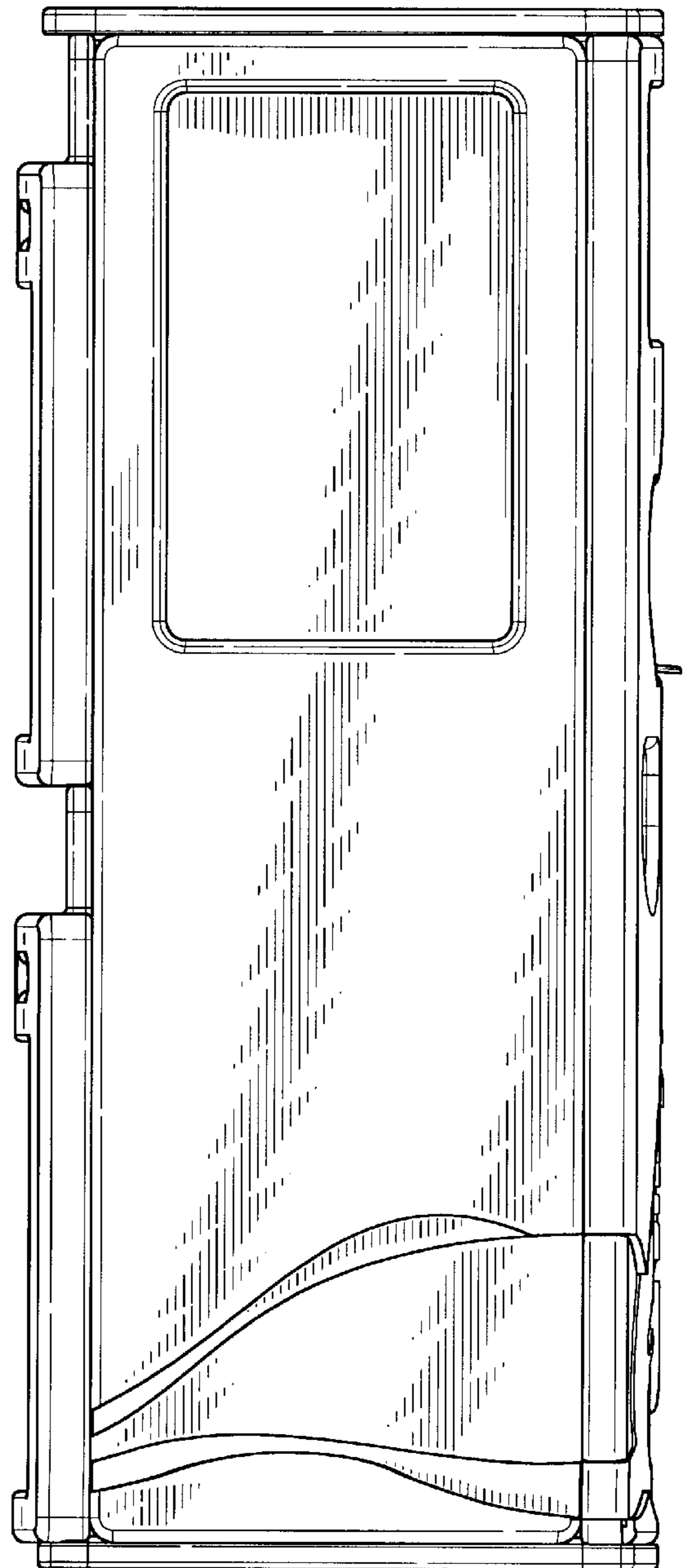


FIG-12



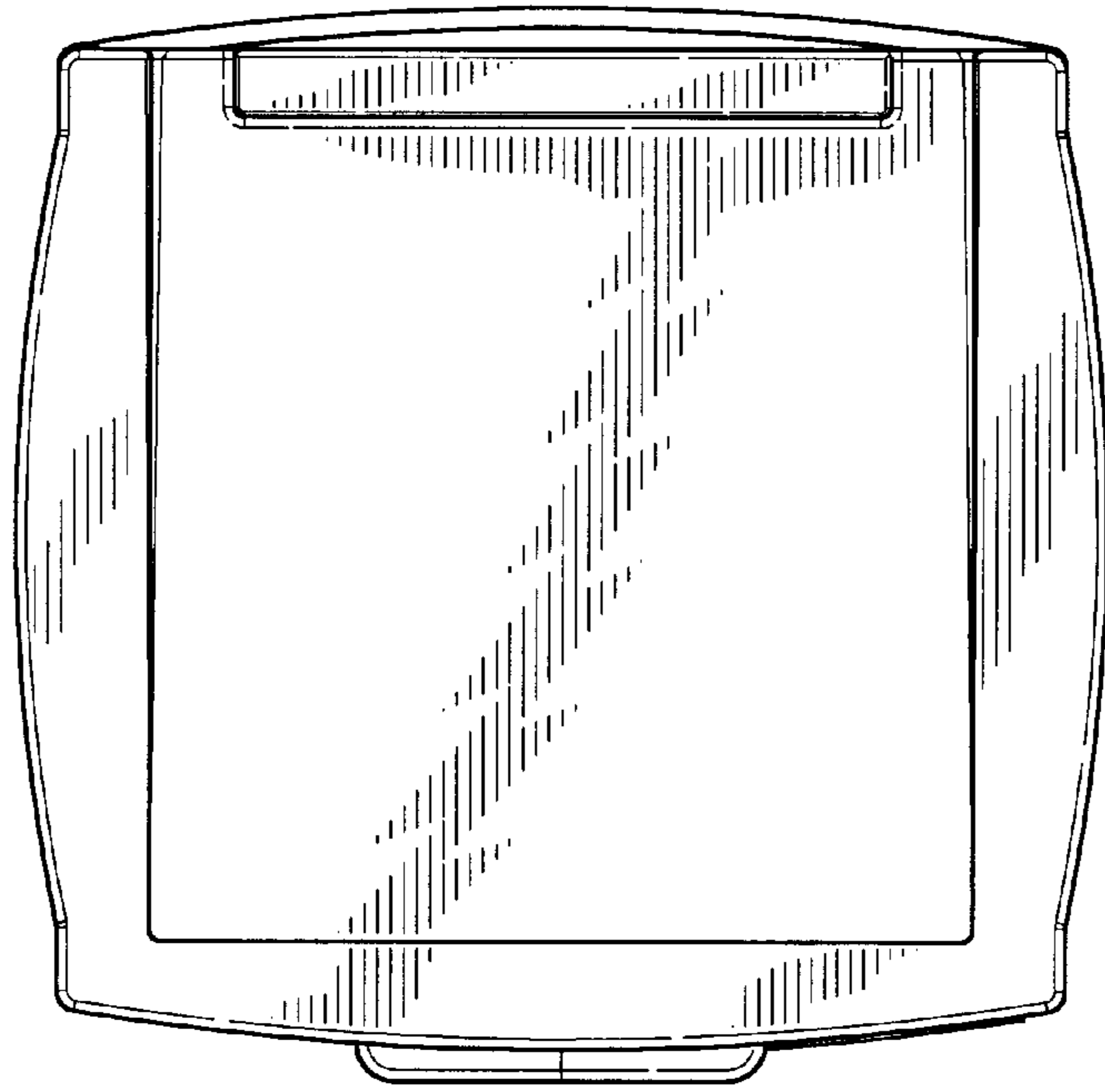


FIG-13

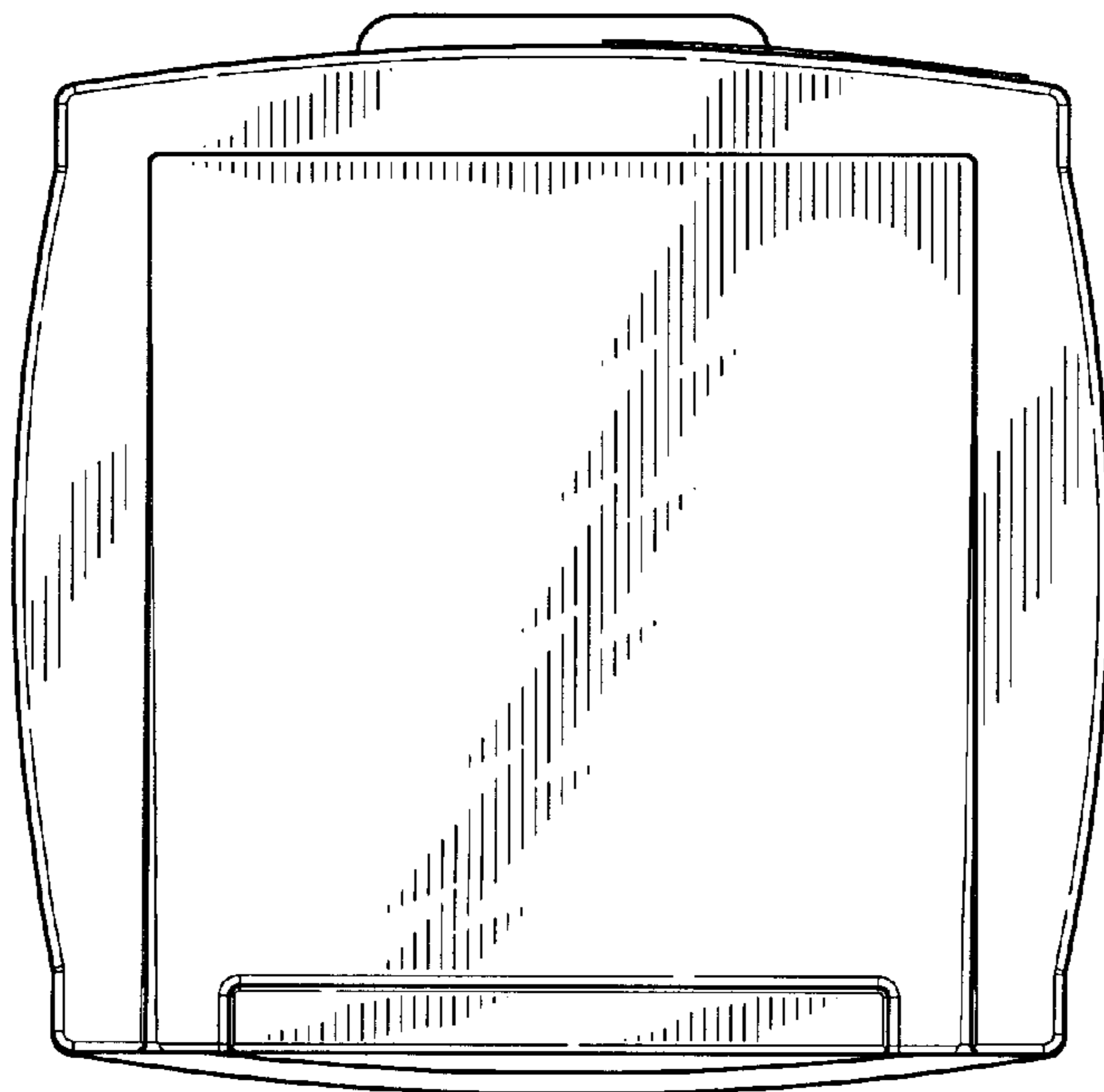


FIG-14