



US00D419602S

# United States Patent [19] Mori

[11] Patent Number: **Des. 419,602**

[45] Date of Patent: **\*\* Jan. 25, 2000**

[54] PAPER SUPPORT STAND

[75] Inventor: **Makoto Mori**, Tokyo, Japan

[73] Assignee: **Carl Manufacturing Co., Ltd.**, Tokyo, Japan

[\*\*] Term: **14 Years**

[21] Appl. No.: **29/096,954**

[22] Filed: **Nov. 24, 1998**

[51] LOC (7) Cl. .... **19-02**

[52] U.S. Cl. .... **D19/91; D19/65; D19/88**

[58] Field of Search ..... D8/395; D19/35, D19/36, 65, 75, 78, 86, 88, 90, 91, 99, 100; 24/67 R, 67.1, 67.11, 504-508, 510, 545, 546, 547, 563, 487-489; 248/441.1, 442.2, 451; 40/652, 658, 647

[56] **References Cited**

**U.S. PATENT DOCUMENTS**

D. 361,092	8/1995	Batson	.....	D19/91
D. 386,527	11/1997	Suzuki	.....	D19/65
D. 401,968	12/1998	Suzuki	.....	D19/90 X

D. 407,440	3/1999	Vanlandingham, Jr.	.....	D19/88
823,379	6/1906	Walsh	.....	40/647
953,409	3/1910	Connies	.....	281/42
4,141,119	2/1979	Nodo	.....	24/504
5,667,183	9/1997	Hiromori	.....	248/451
5,725,191	3/1998	Nemeth	.....	248/442.2
5,845,889	12/1998	Suzuki	.....	248/451

*Primary Examiner*—Martie K. Holtje  
*Attorney, Agent, or Firm*—Wood, Phillips, VanSanten, Clark & Mortimer

[57] **CLAIM**

The ornamental design for a paper support stand, as shown and described.

**DESCRIPTION**

FIG. 1 is a front, right and top perspective view of my design for a paper support stand;  
FIG. 2 is a rear elevational view thereof;  
FIG. 3 is a front elevational view thereof;  
FIG. 4 is a right side elevational view thereof;  
FIG. 5 is a left side elevational view thereof; and,  
FIG. 6 is a plan view thereof; and,  
FIG. 7 is a bottom view thereof.

**1 Claim, 4 Drawing Sheets**

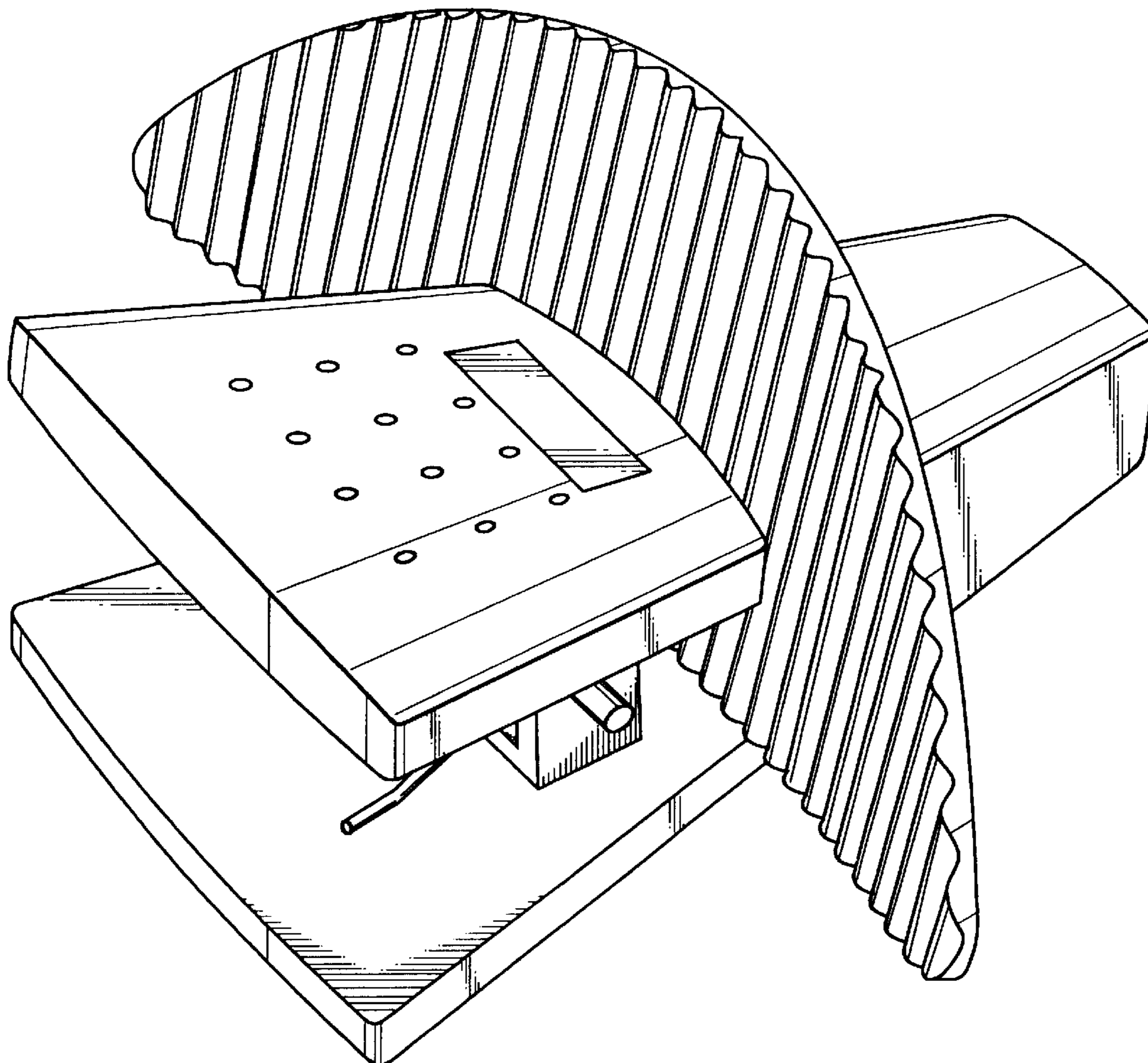
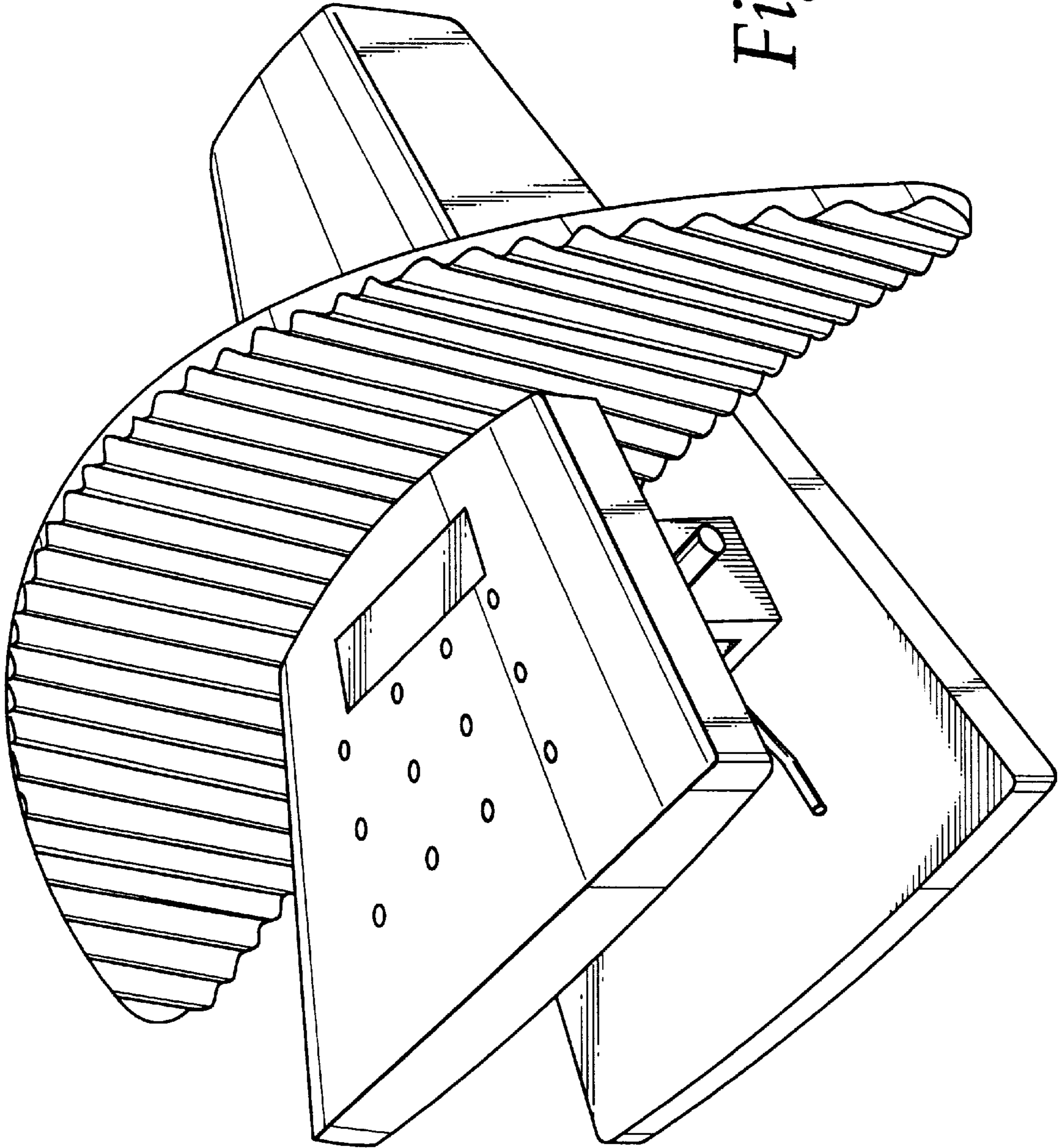
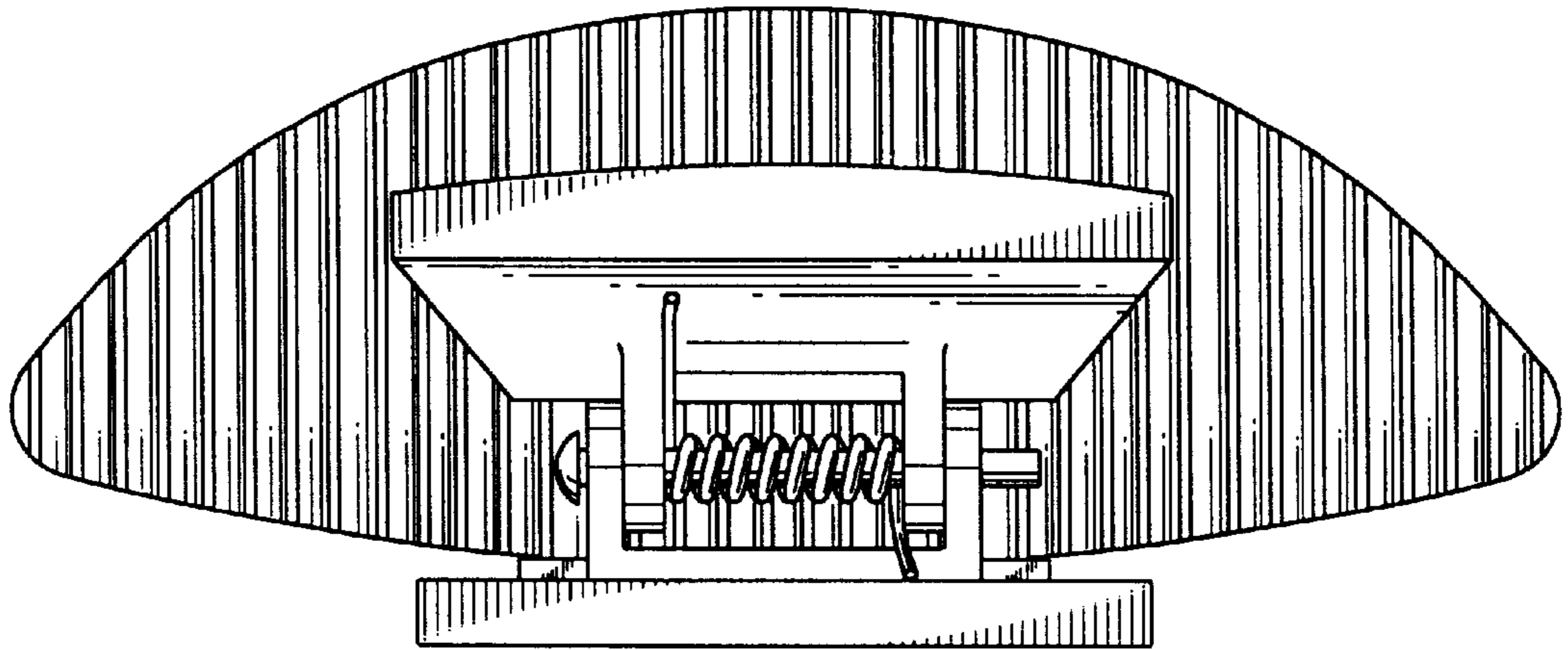
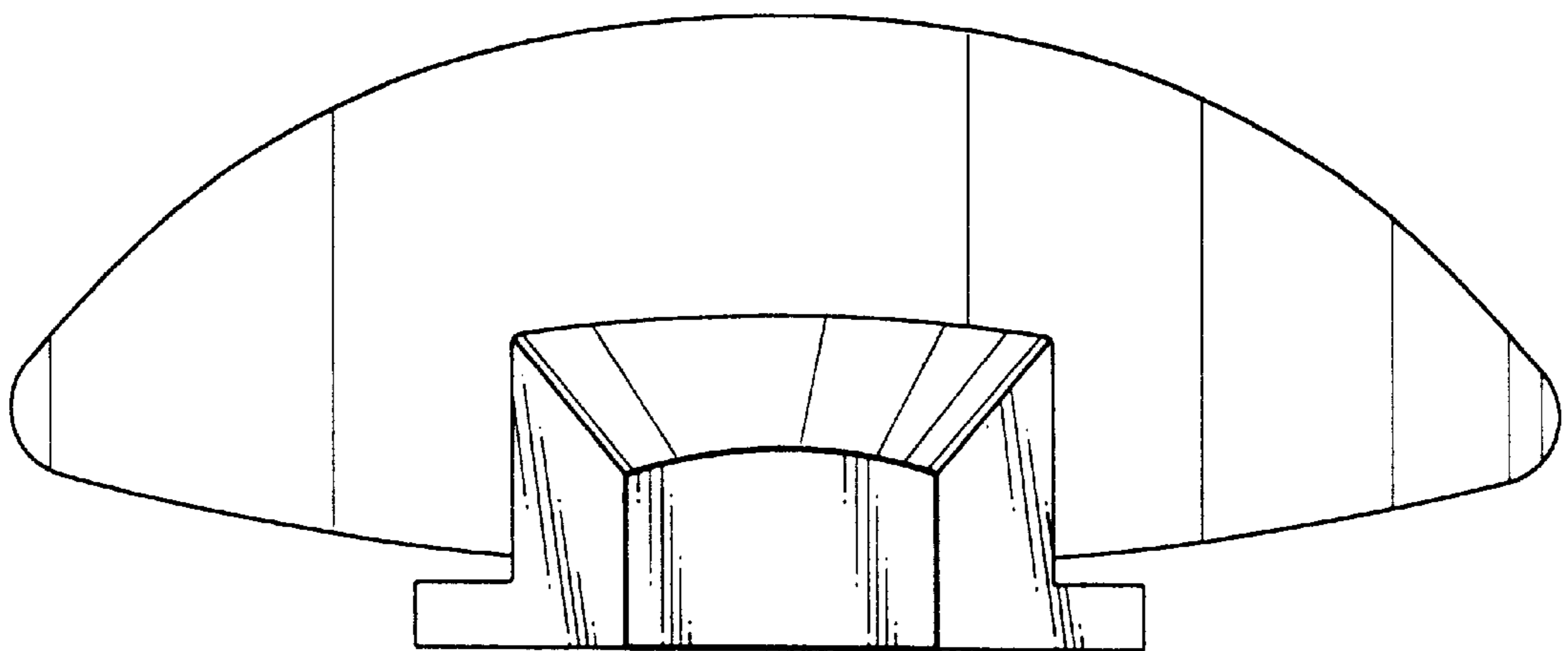


Fig. 1

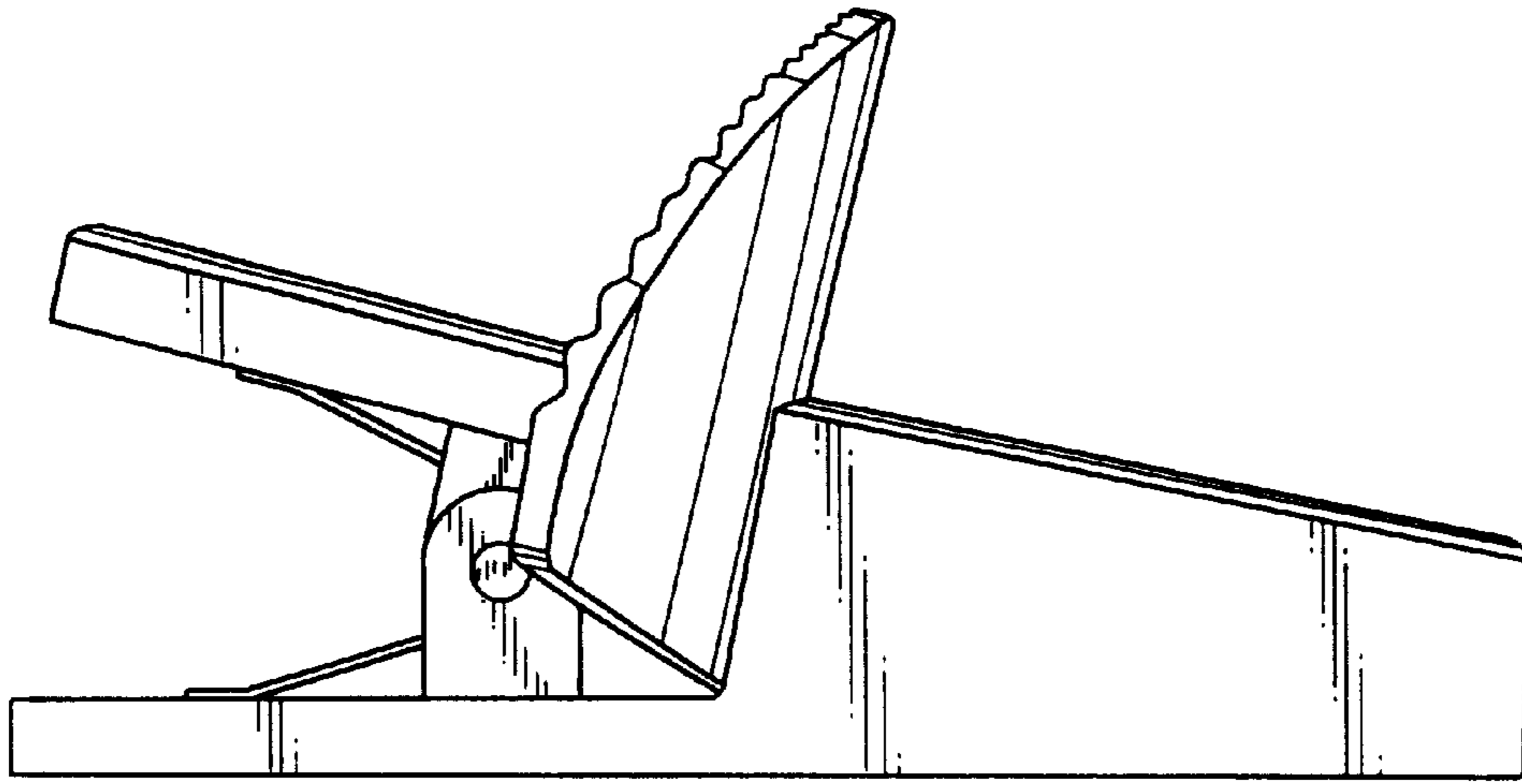




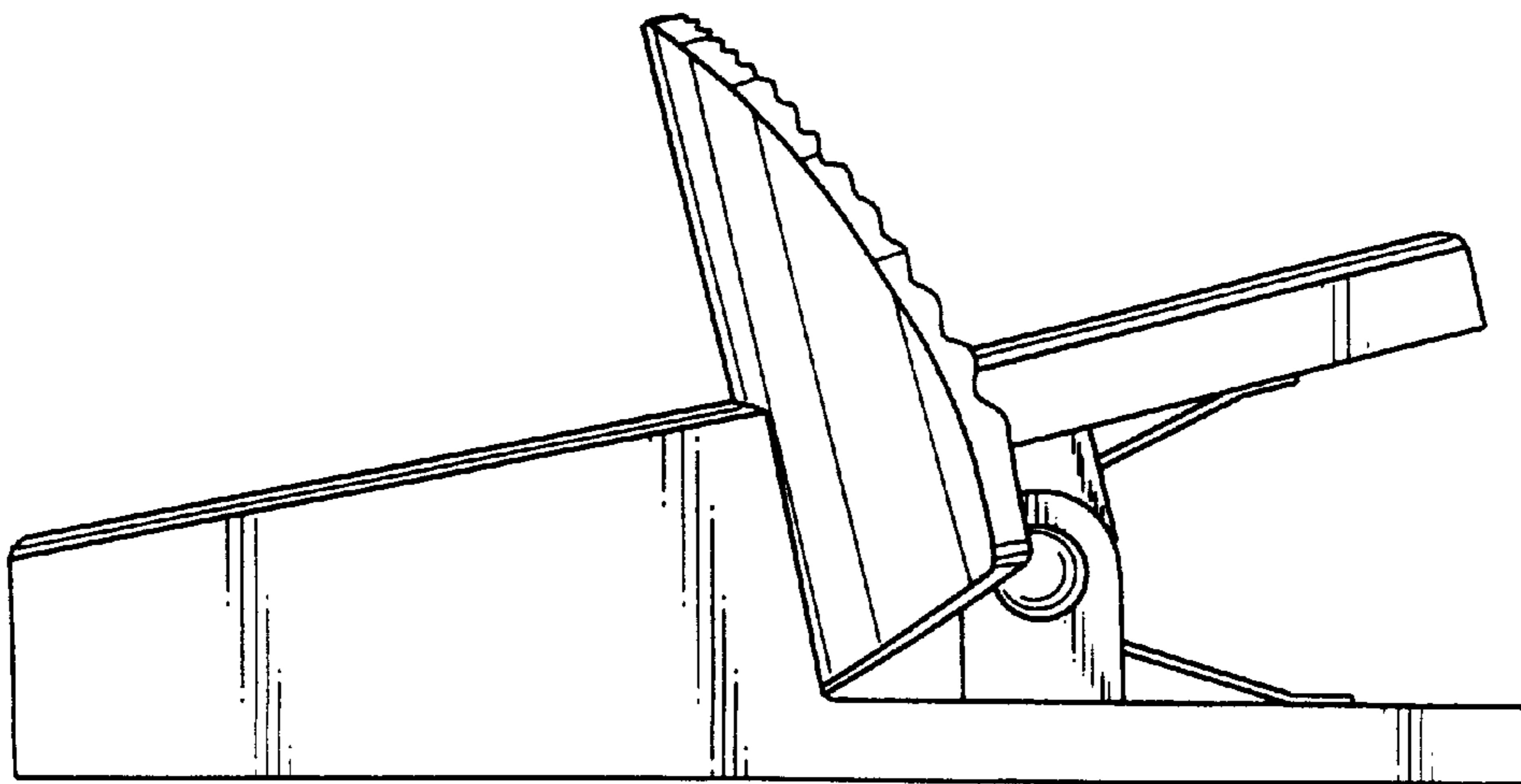
*Fig. 2*



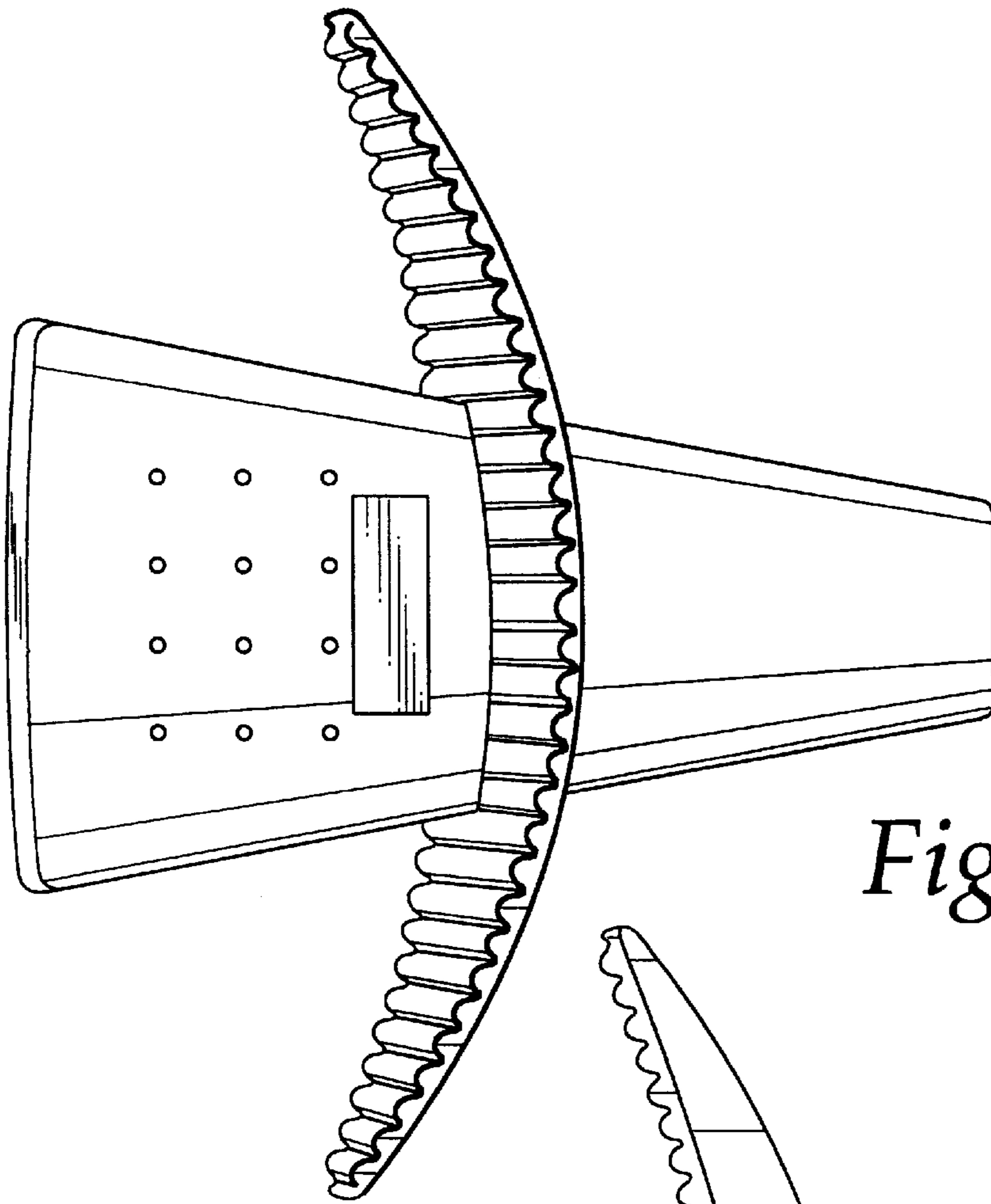
*Fig. 3*



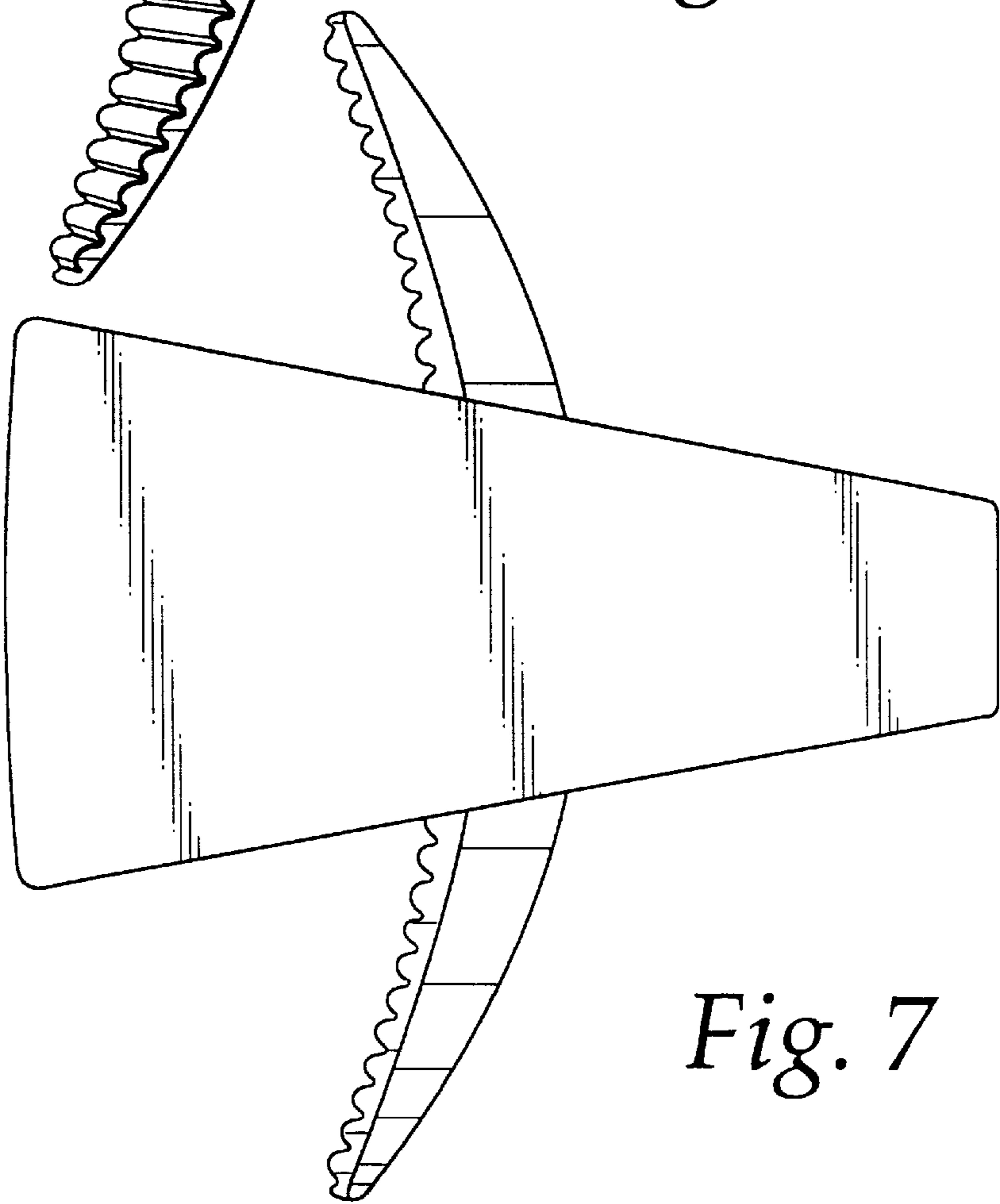
*Fig. 4*



*Fig. 5*



*Fig. 6*



*Fig. 7*