



US00D419601S

United States Patent [19]
Windorski

[11] **Patent Number: Des. 419,601**
[45] **Date of Patent: ** Jan. 25, 2000**

[54] **SHEET DISPENSER**

DESCRIPTION

[75] Inventor: **David C. Windorski**, Woodbury, Minn.

[73] Assignee: **3M Innovative Properties Company**,
St. Paul, Minn.

[**] Term: **14 Years**

[21] Appl. No.: **29/101,809**

[22] Filed: **Mar. 11, 1999**

[51] **LOC (7) Cl.** **19-02**

[52] **U.S. Cl.** **D19/86; D6/518**

[58] **Field of Search** D6/515, 518; D19/65,
D19/67-69, 75, 76, 78, 86, 91, 92, 95,
99, 100; D28/91; 206/215, 557; 211/13,
126.13; 221/35, 36, 45, 46, 33, 47-49,
51, 52, 56, 61, 63, 185, 197, 281, 282

[56] **References Cited**

U.S. PATENT DOCUMENTS

D. 198,936	8/1964	Leotta	D6/518
D. 306,462	3/1990	Miles et al.	D19/69
D. 357,938	5/1995	Wolff	D19/86
D. 396,492	7/1998	Carlson	D19/86
1,135,658	4/1915	Brown et al.	221/45
4,770,320	9/1988	Miles et al.	221/33
4,907,825	3/1990	Miles et al.	281/51
5,080,255	1/1992	Windorski	221/45
5,167,346	12/1992	Bodziak	221/63
5,518,144	5/1996	Samuelson et al.	221/33
5,769,270	6/1998	Fujisawa et al.	221/34

Primary Examiner—Martie K. Holtje
Attorney, Agent, or Firm—Michaele A. Hakamaki

[57] **CLAIM**

The ornamental design for a sheet dispenser, as shown and described.

FIG. 1 is an isometric view of a first embodiment of a sheet dispenser according to the present invention;

FIG. 2 is a top plan view of the sheet dispenser illustrated in FIG. 1;

FIG. 3 is a bottom plan view of the sheet dispenser illustrated in FIG. 1;

FIG. 4 is a front view of the sheet dispenser illustrated in FIG. 1, the rear view being the mirror image thereof;

FIG. 5 is a left side view of the sheet dispenser illustrated in FIG. 1, the right side view being the mirror image thereof;

FIG. 6 is an isometric view of a second embodiment of a sheet dispenser according to the present invention;

FIG. 7 is a top plan view of the sheet dispenser illustrated in FIG. 6;

FIG. 8 is a bottom plan view of the sheet dispenser illustrated in FIG. 6;

FIG. 9 is a front view of the sheet dispenser illustrated in FIG. 6, the rear view being the mirror image thereof;

FIG. 10 is a left side view of the sheet dispenser illustrated in FIG. 6, the right side view being the mirror image thereof;

FIG. 11 is an isometric view of a third embodiment of a sheet dispenser according to the present invention;

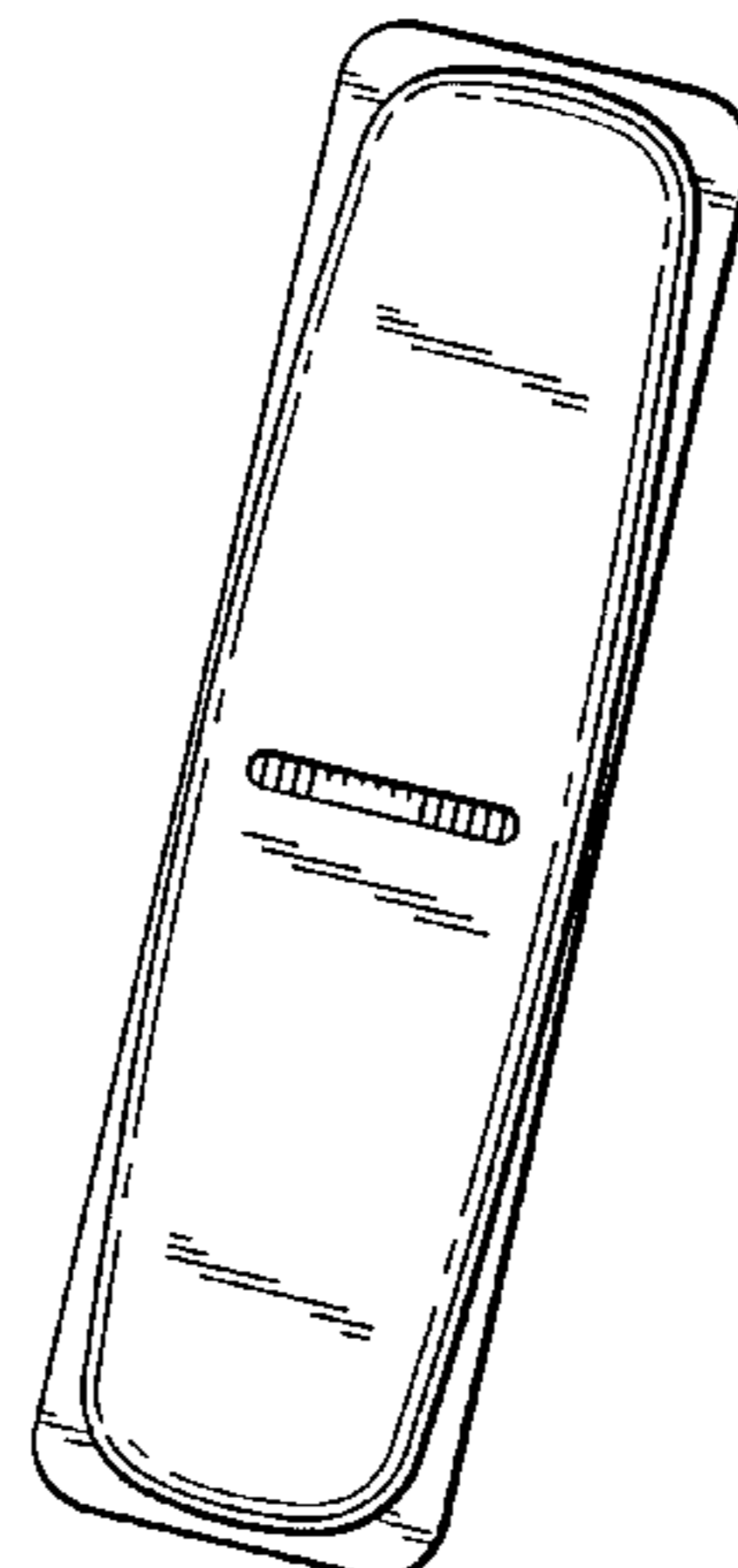
FIG. 12 is a top plan view of the sheet dispenser illustrated in FIG. 11;

FIG. 13 is a bottom plan view of the sheet dispenser illustrated in FIG. 11;

FIG. 14 is a front view of the sheet dispenser illustrated in FIG. 11, the rear view being the mirror image thereof; and,

FIG. 15 is a left side view of the sheet dispenser illustrated in FIG. 11, the right side view being the mirror image thereof.

1 Claim, 7 Drawing Sheets



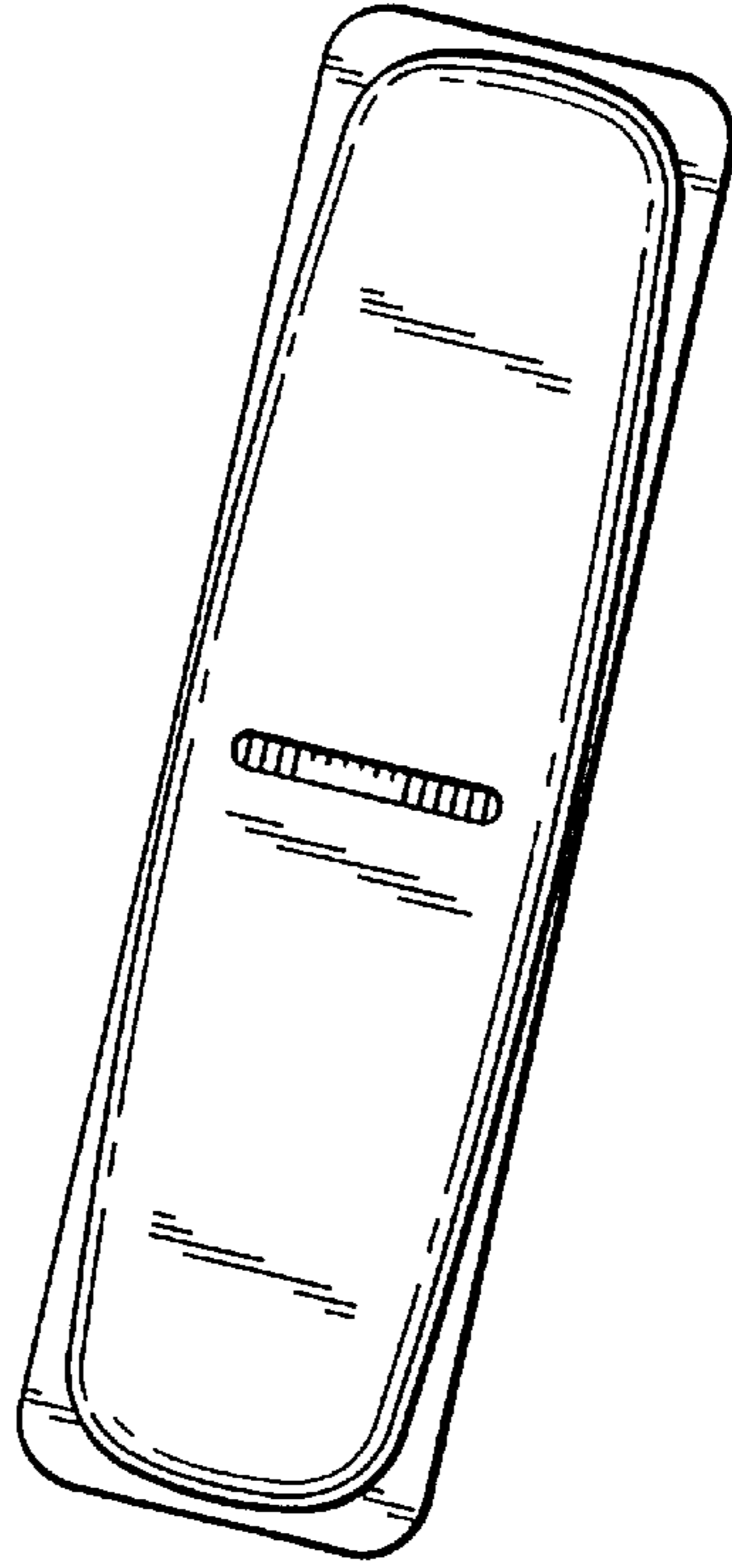


Fig. 1

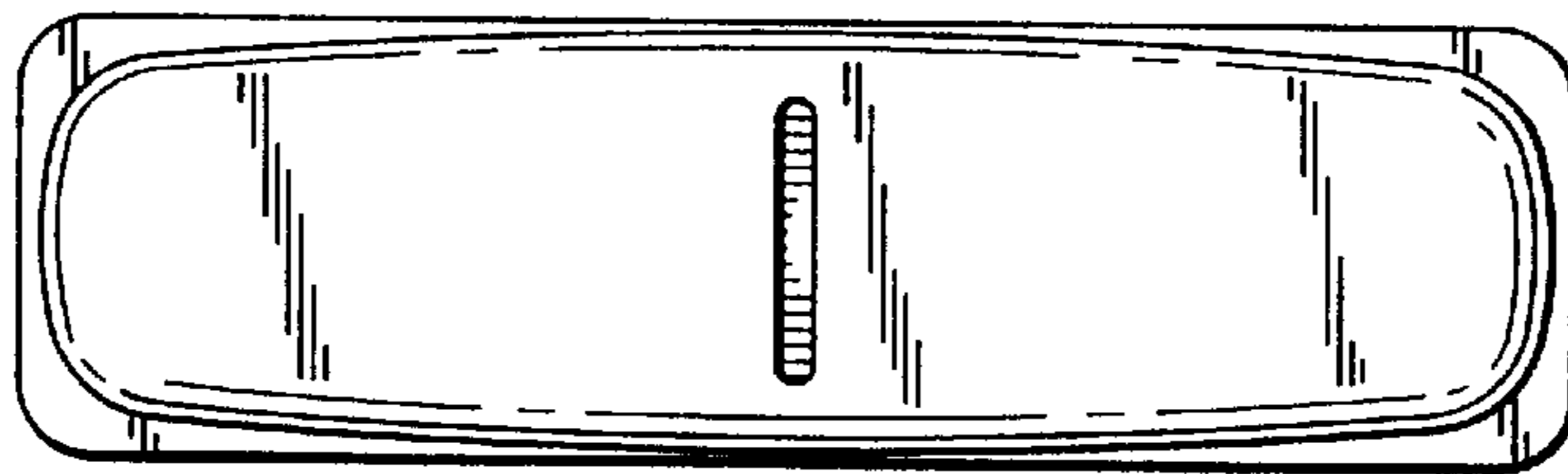


Fig. 2

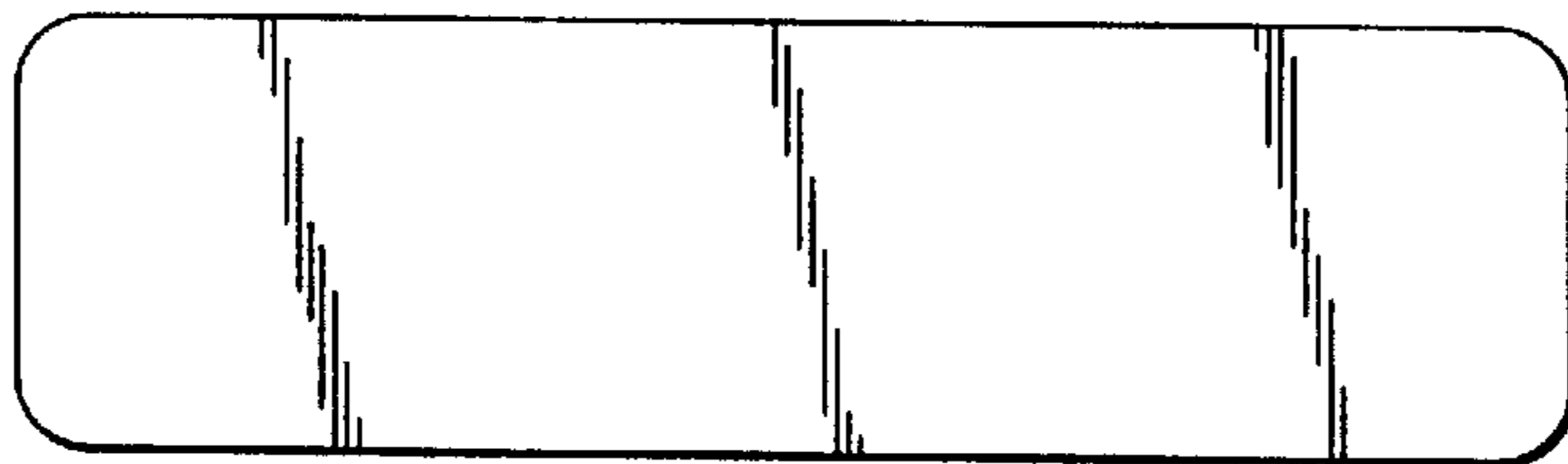


Fig. 3



Fig. 4



Fig. 5

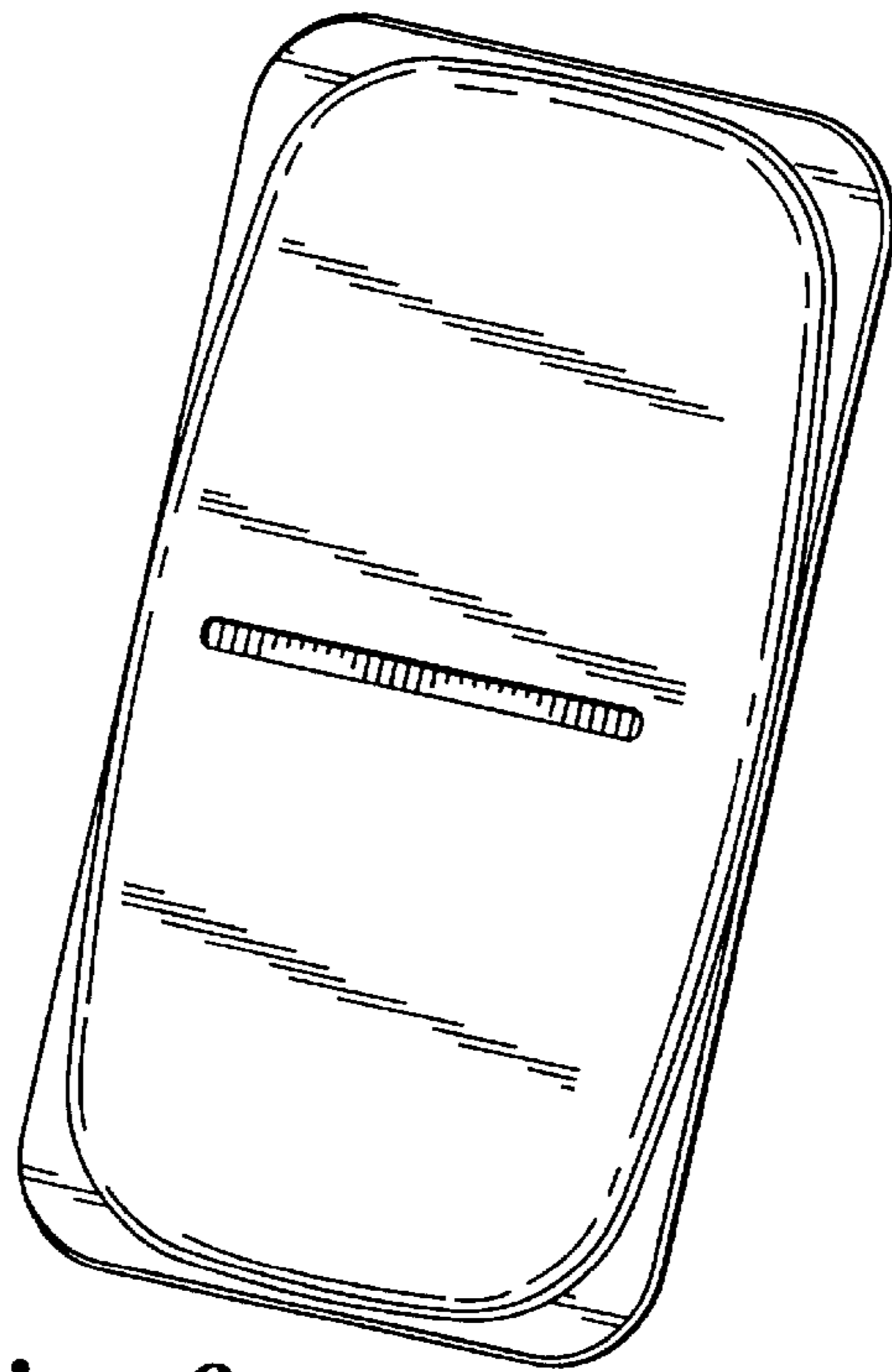


Fig. 6

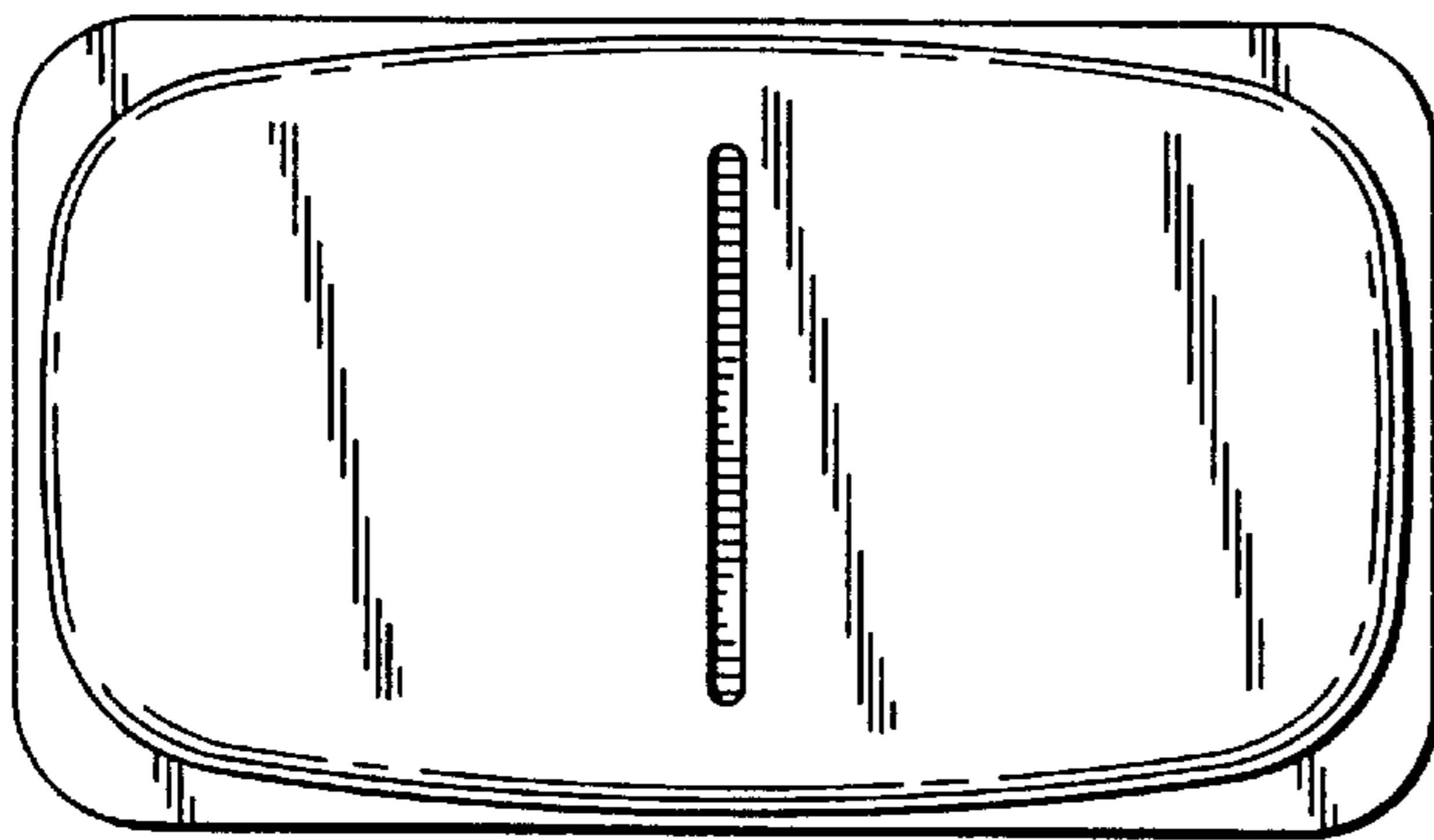


Fig. 7

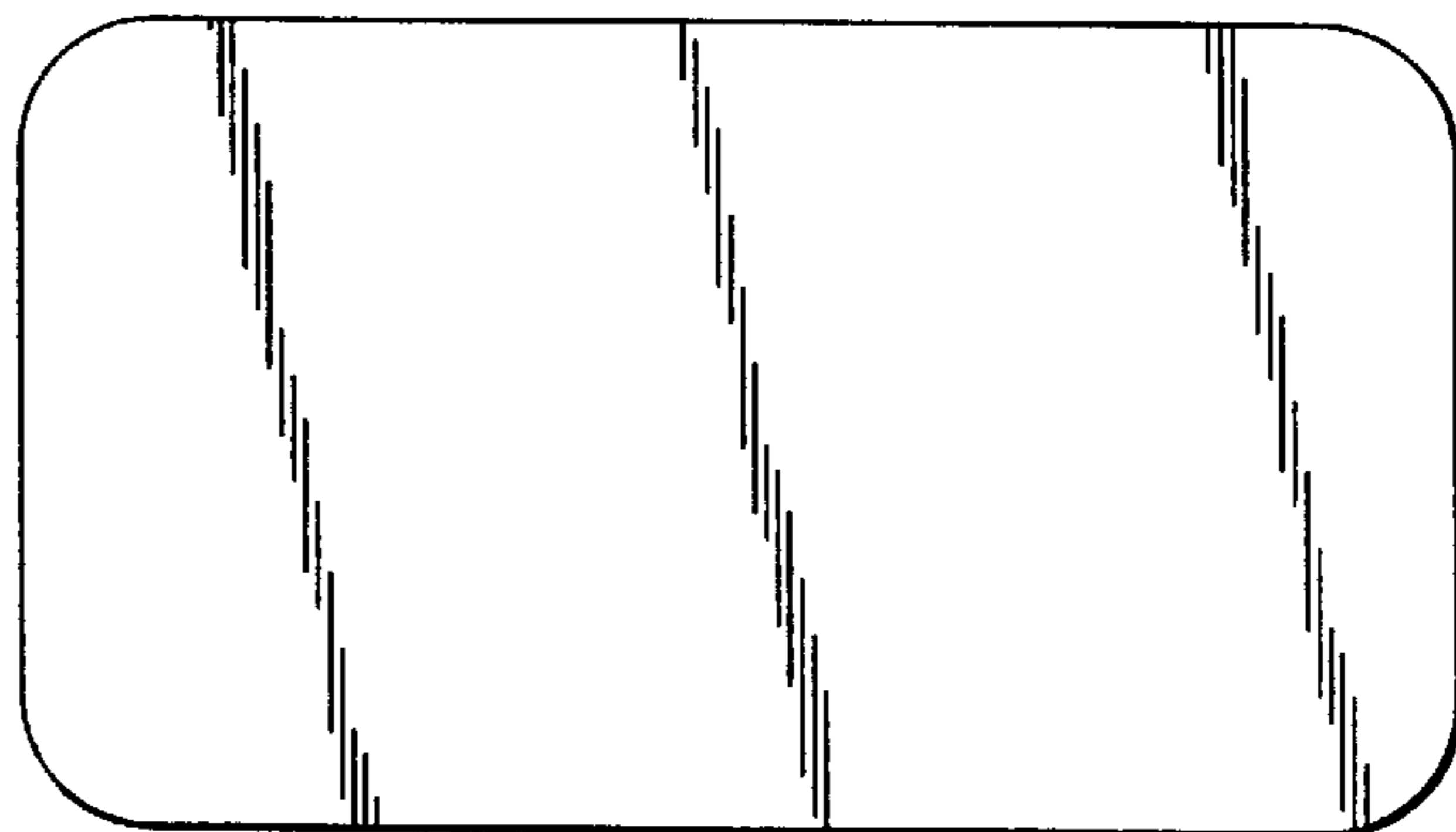


Fig. 8



Fig. 9



Fig. 10

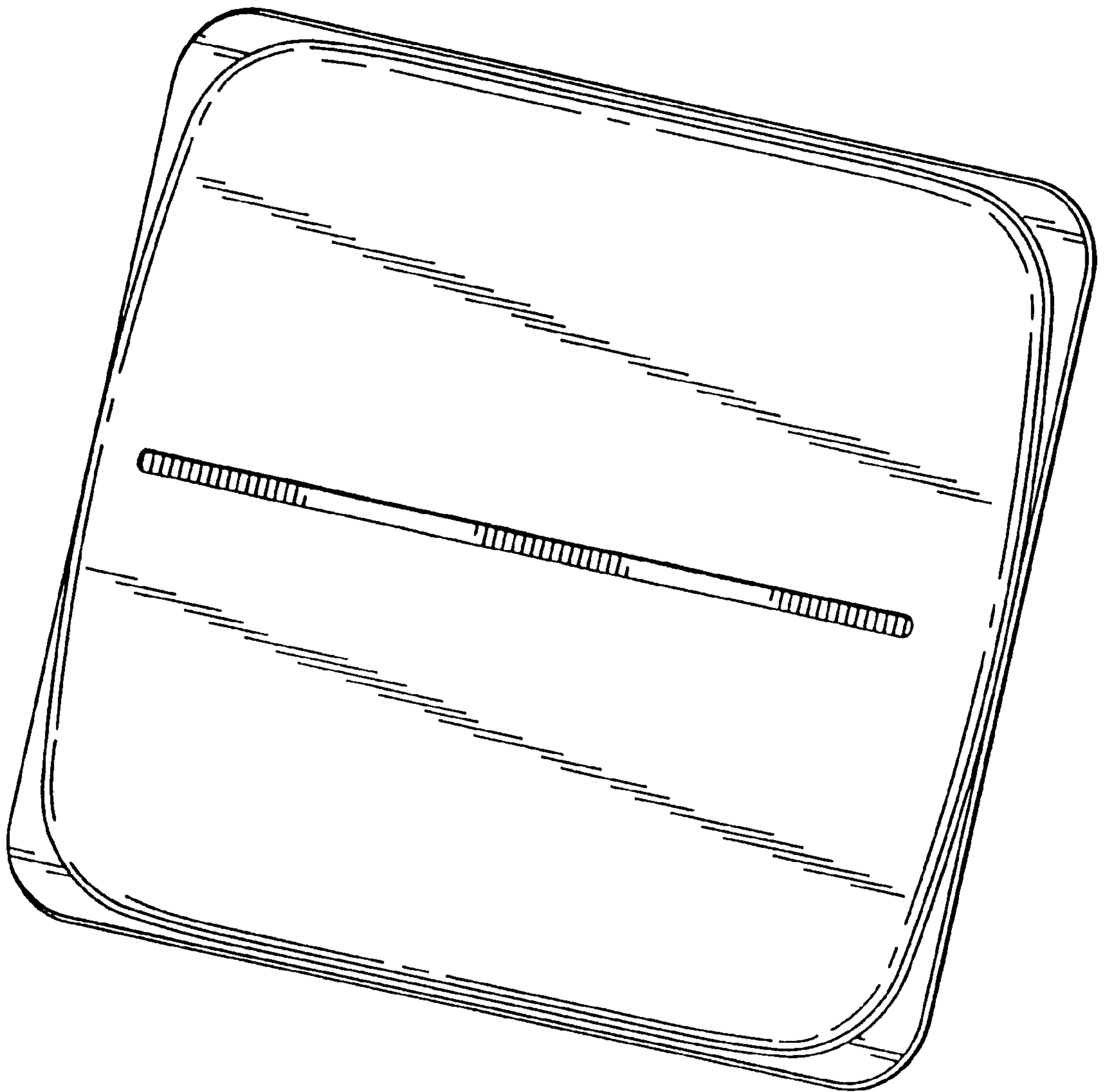


Fig. 11

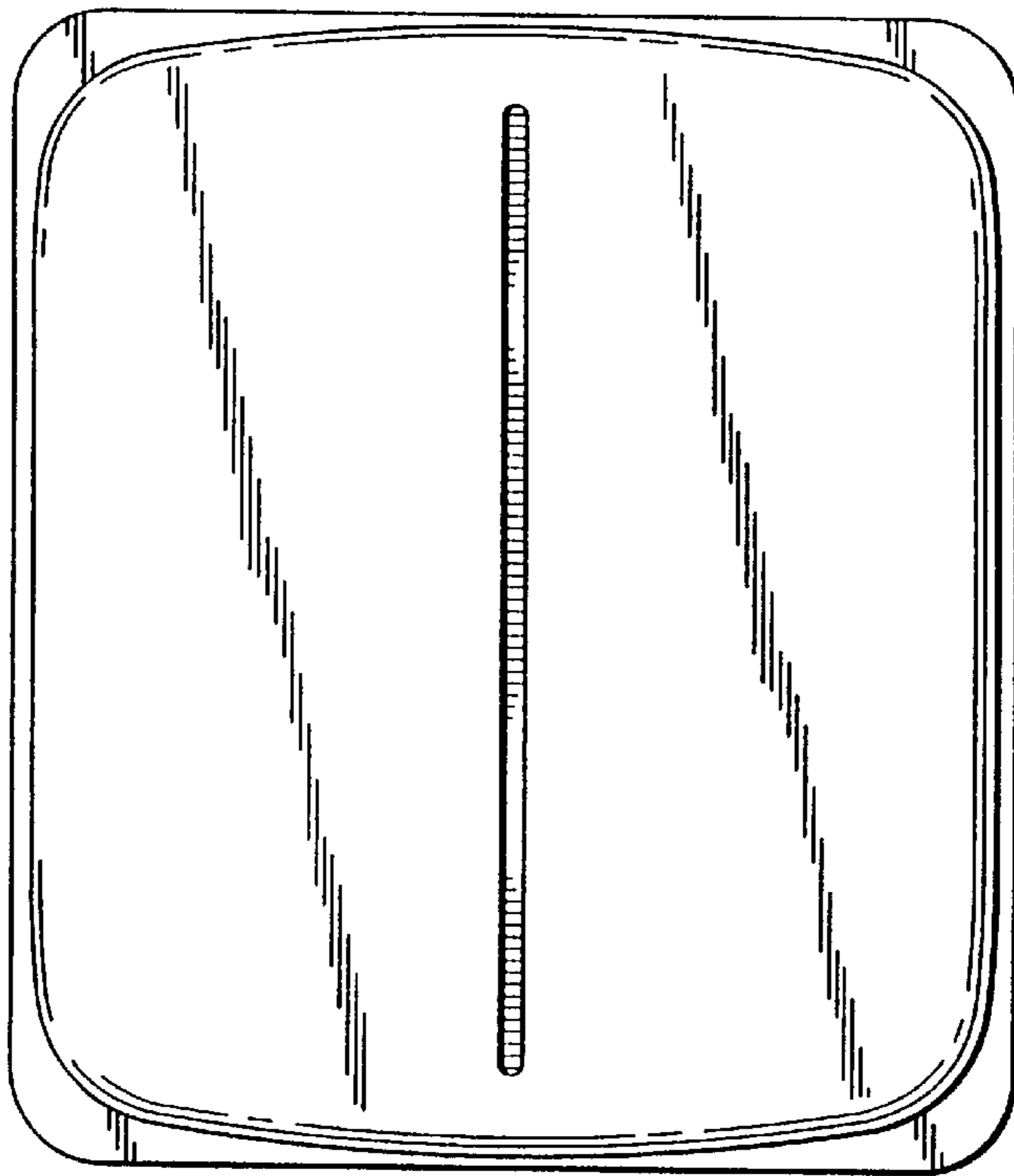


Fig. 12

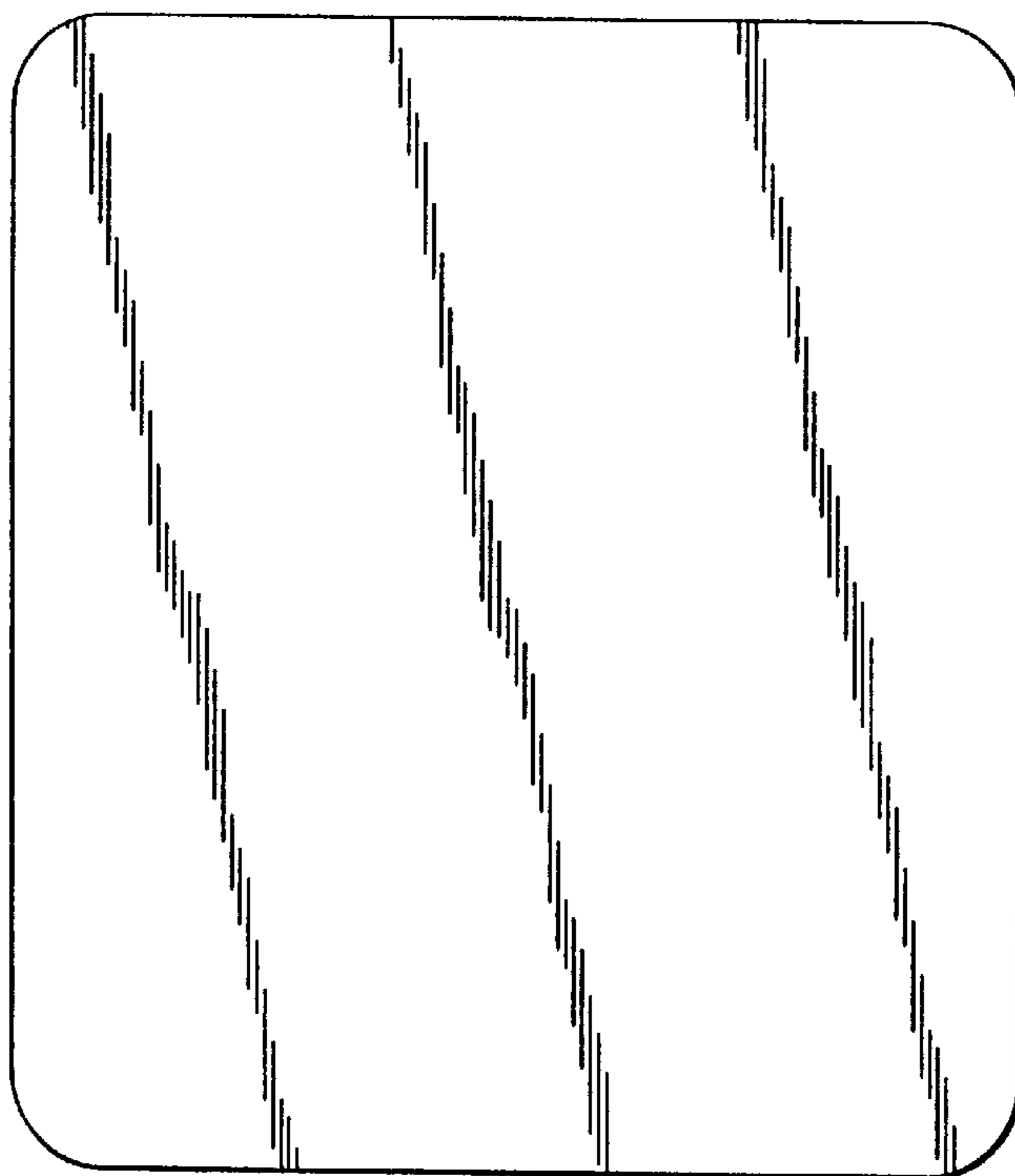


Fig. 13



Fig. 14



Fig. 15