



US00D419598S

United States Patent [19]
Whaley

[11] **Patent Number: Des. 419,598**
[45] **Date of Patent: ** Jan. 25, 2000**

[54] **FASTENER WITH CONICAL BASE PLATE**

[76] **Inventor: Paul Whaley, 245 Reservoir La.,
Herculaneum, Mo. 63048**

[**] **Term: 14 Years**

[21] **Appl. No.: 29/102,517**

[22] **Filed: Mar. 25, 1999**

[51] **LOC (7) Cl. 19-04**

[52] **U.S. Cl. D19/32**

[58] **Field of Search D19/26, 27, 32,
D19/65, 99, 100; D8/388, 382, 386, 389,
499; 281/27.1-27.3; 402/36-38, 26, 27,
32, 64, 70, 73, 75, 76, 80 R, 502; 411/468,
338, 457-460, 466, 456**

[56] **References Cited**

U.S. PATENT DOCUMENTS

D. 133,347	8/1942	Reiter	D8/389
D. 133,348	8/1942	Reiter	D8/389
D. 377,805	2/1997	To .	
797,083	8/1905	Stowe	411/458
2,891,554	6/1959	Foster	402/64
3,011,226	12/1961	Menge	411/466
3,108,823	10/1963	Thaw	281/27.2

5,100,253	3/1992	Cooper .	
5,160,209	11/1992	Schuessler .	
5,312,456	5/1994	Reed et al.	411/456
5,755,513	5/1998	To .	
5,772,348	6/1998	To .	
5,842,807	12/1998	To .	
5,882,135	3/1999	Ko	402/36
5,903,958	5/1999	Whaley .	

Primary Examiner—Martie K. Holtje
Attorney, Agent, or Firm—Polster, Lieder, Woodruff & Lucchesi

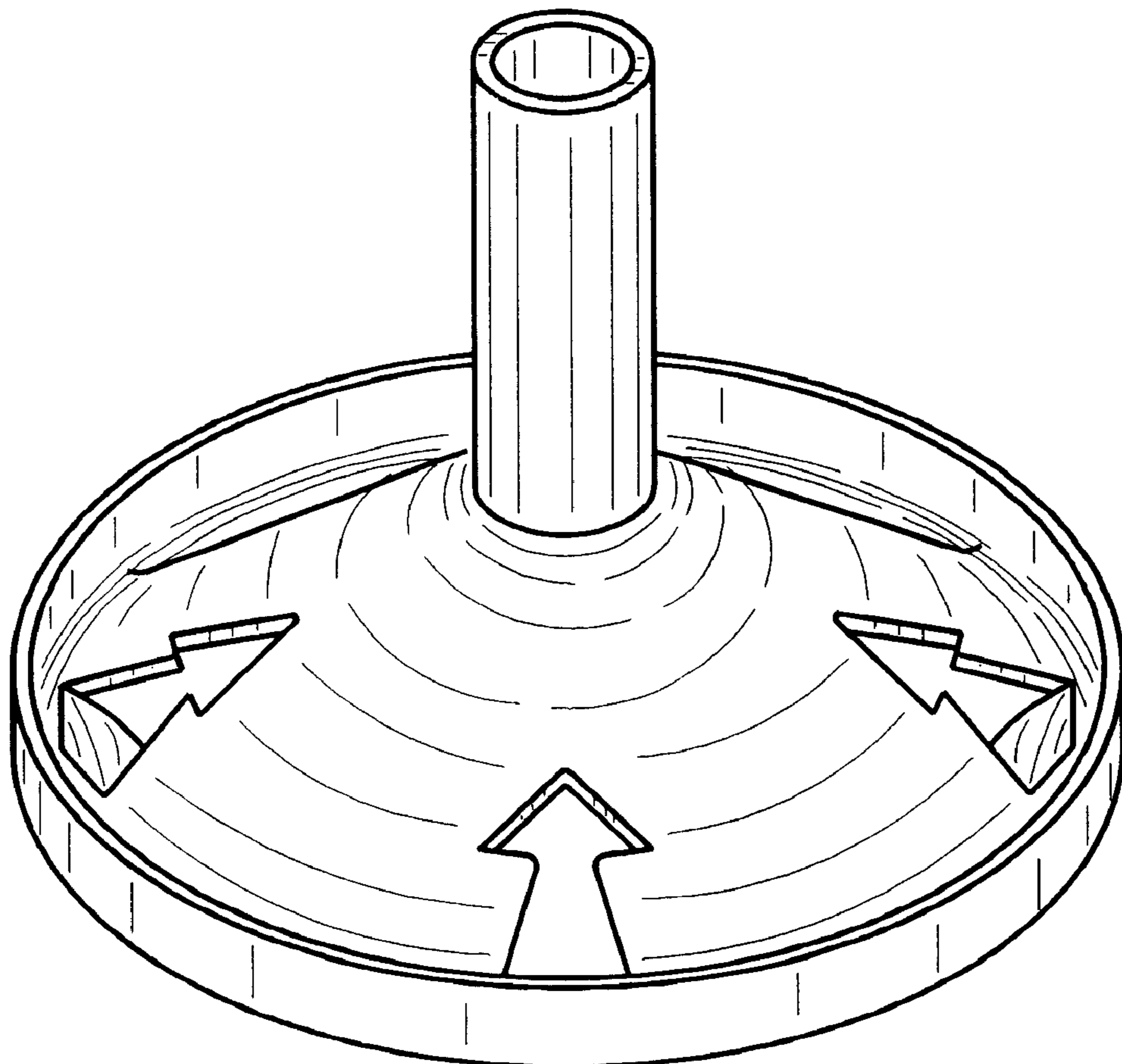
[57] **CLAIM**

The ornamental design for a fastener with conical base plate, as shown and described.

DESCRIPTION

FIG. 1 is a perspective view of a fastener with conical base plate of the present invention;
FIG. 2 is a side elevational view of the fastener with conical base plate;
FIG. 3 is a top plan view of the fastener with conical base plate; and,
FIG. 4 is a bottom plan view of the fastener with conical base plate.

1 Claim, 2 Drawing Sheets



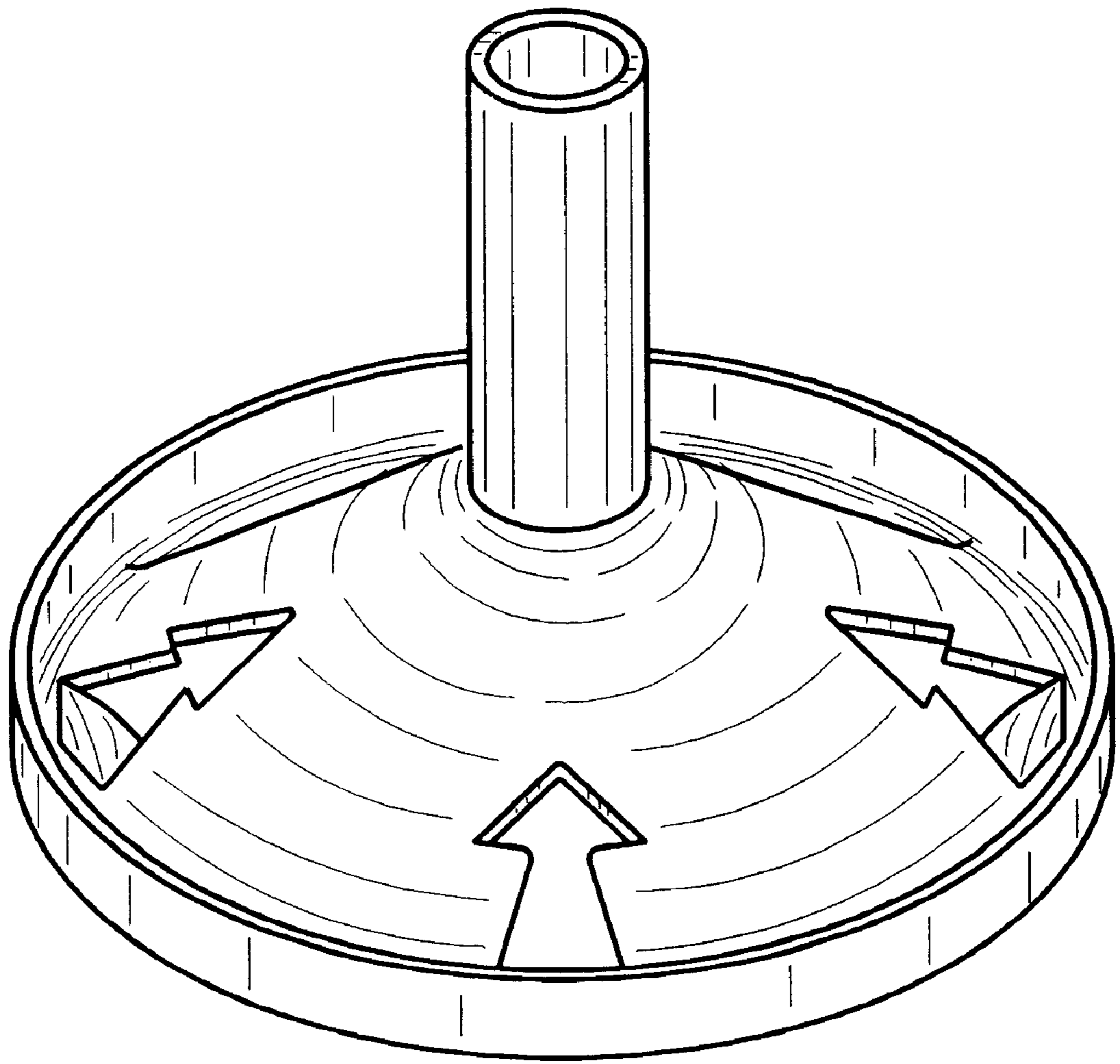


FIG. 1

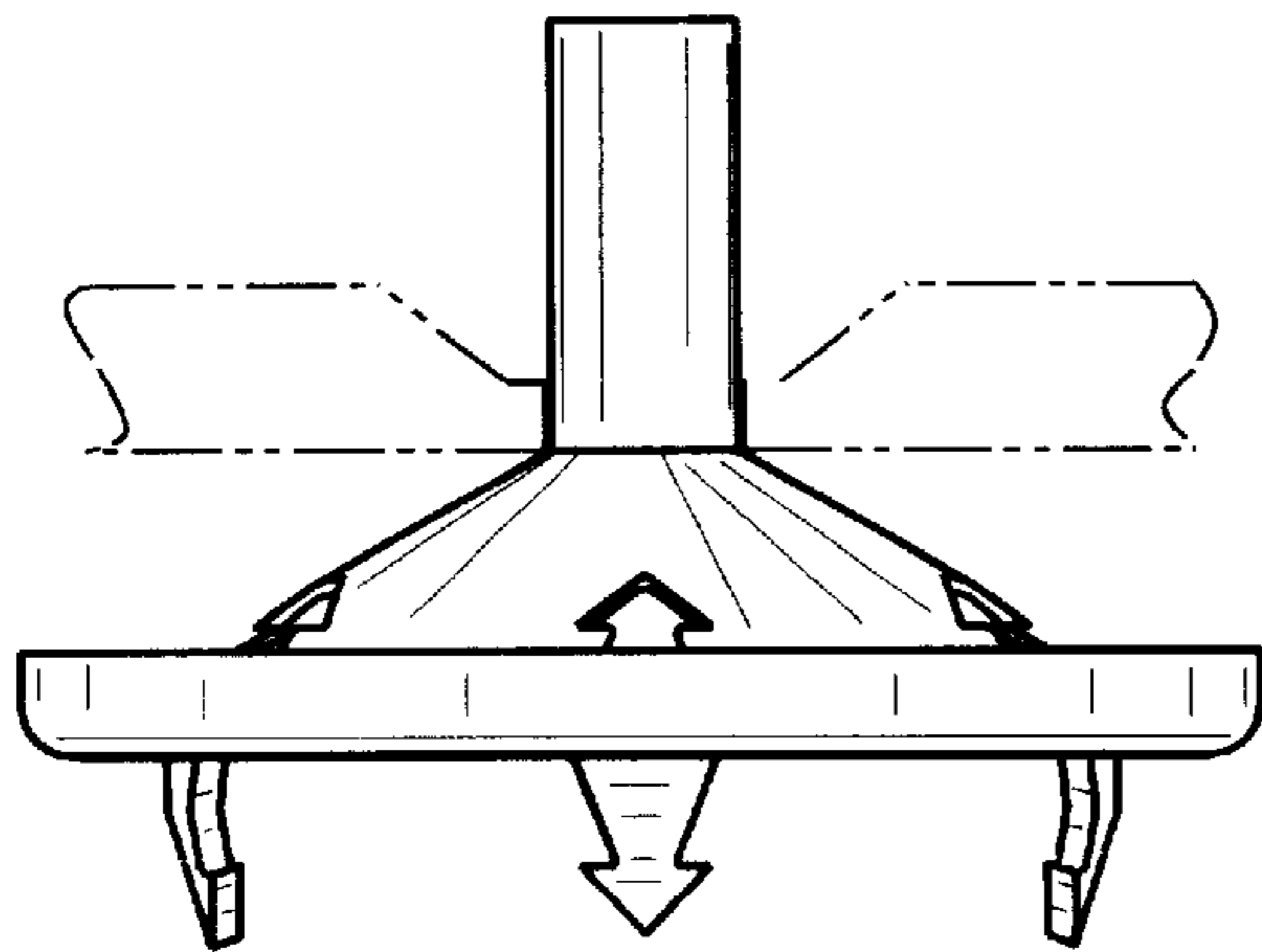


FIG. 2

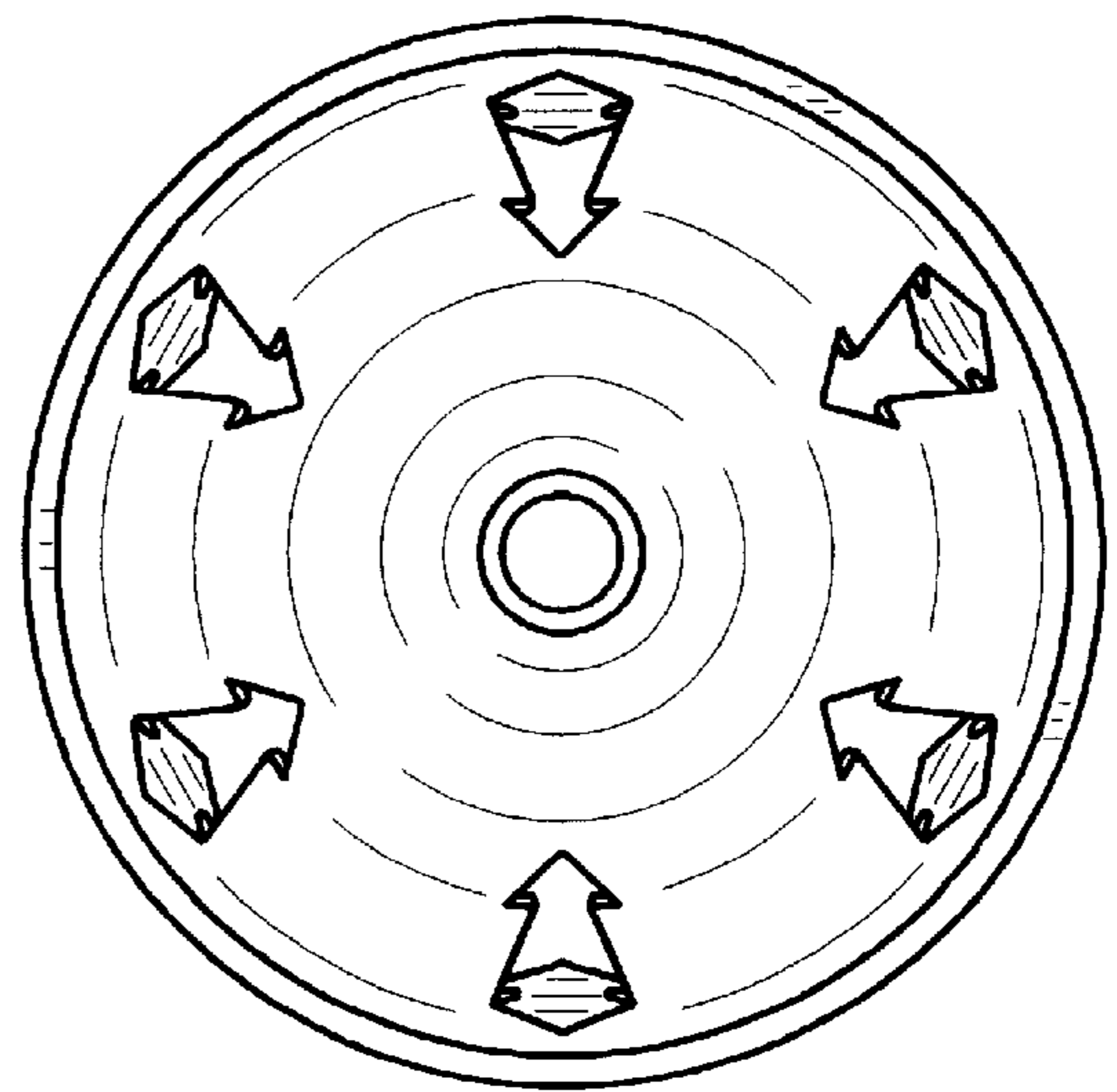


FIG. 3

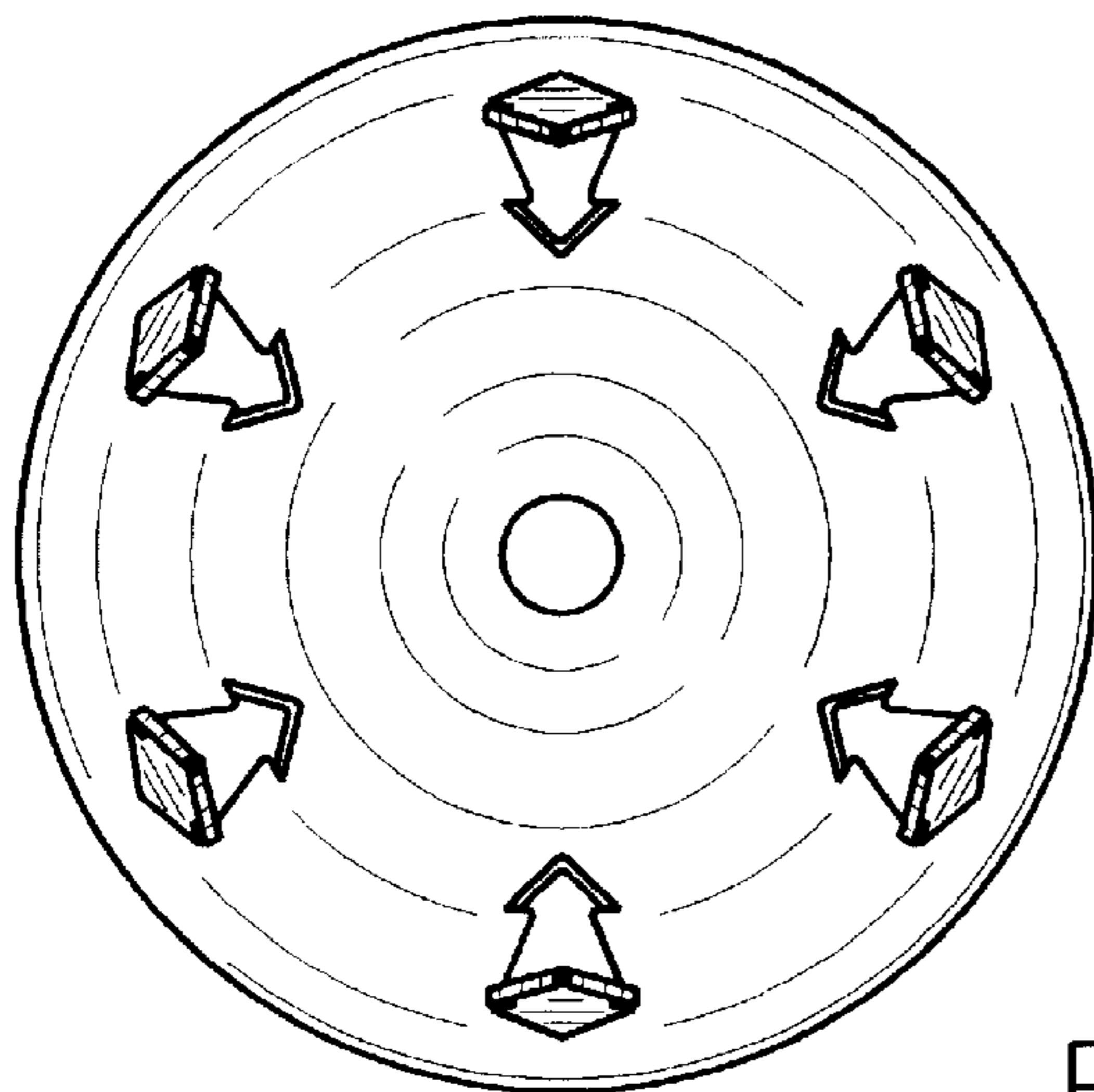


FIG. 4