



US00D419588S

**United States Patent** [19]  
**Chan**

[11] **Patent Number: Des. 419,588**

[45] **Date of Patent: \*\* Jan. 25, 2000**

[54] **CALCULATOR**

[75] Inventor: **Sik-Leung Chan**, Tsuen Wan, The Hong Kong Special Administrative Region of the People's Republic of China

[73] Assignee: **C.C. & L Company Limited**, The Hong Kong Special Administrative Region of the People's Republic of China

[\*\*] Term: **14 Years**

[21] Appl. No.: **29/103,794**

[22] Filed: **Apr. 22, 1999**

[51] **LOC (7) Cl.** ..... **18-01**

[52] **U.S. Cl.** ..... **D18/7**

[58] **Field of Search** ..... D18/2, 6, 7, 11; D14/100, 105; 364/706-710; 235/1 D

[56] **References Cited**

**U.S. PATENT DOCUMENTS**

D. 251,634 4/1979 Sulek et al. .... D18/7

D. 310,095 8/1990 Noguchi ..... D18/7  
D. 318,462 7/1991 Worthylake ..... D18/7 X

*Primary Examiner*—Caron D. Veynar  
*Attorney, Agent, or Firm*—Samuels, Gauthier & Stevens

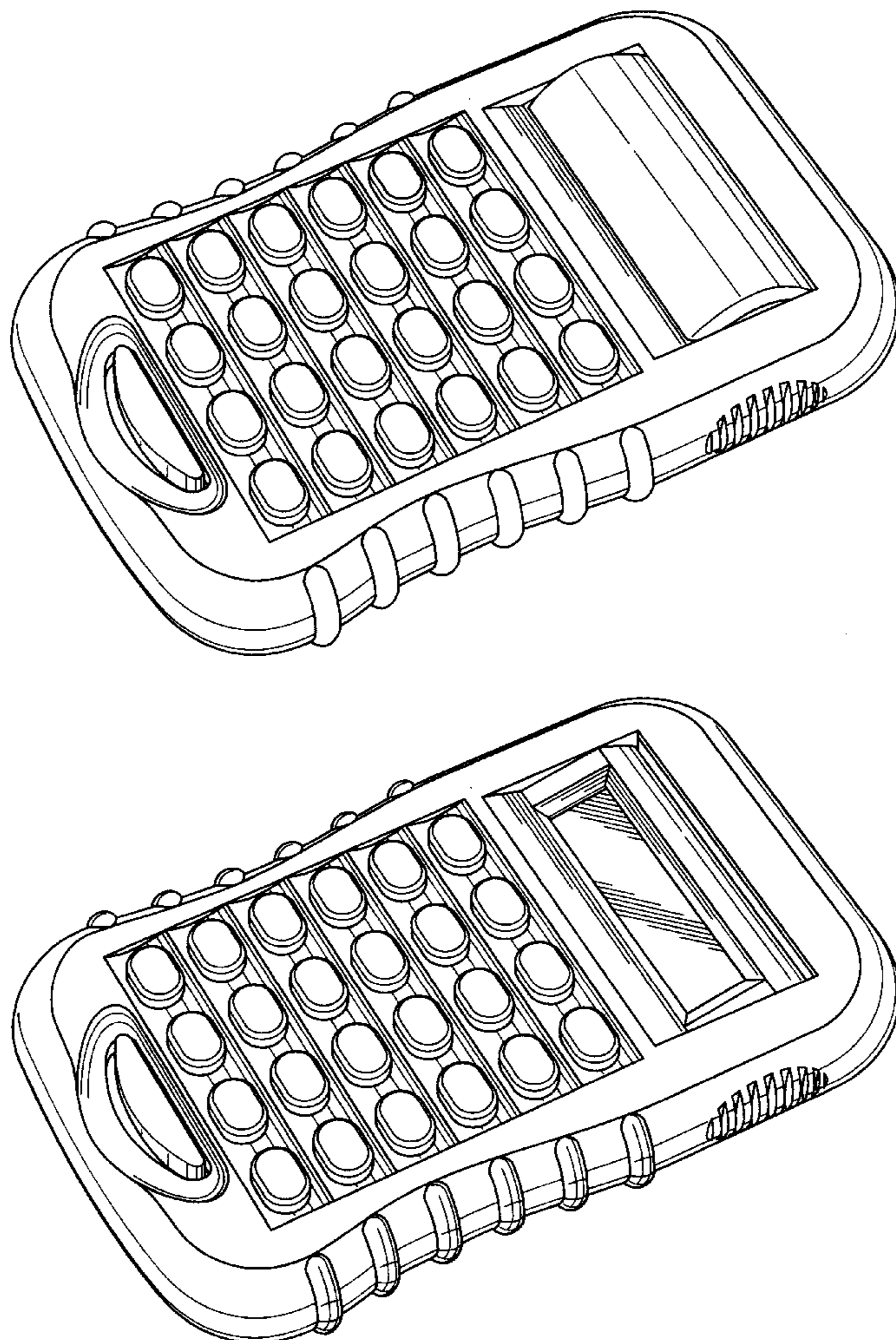
[57] **CLAIM**

The ornamental design for a “calculator”, as shown and described.

**DESCRIPTION**

FIG. 1 is the front perspective view showing my new design; FIG. 2 is the front view thereof; FIG. 3 is the rear view thereof; FIG. 4 is the left-hand view thereof; FIG. 5 is the right-hand view thereof; FIG. 6 is the top view thereof; FIG. 7 is the bottom view thereof; FIG. 8 is the front perspective view with lid open thereof; FIG. 9 is the front view with lid open thereof; FIG. 10 is the left side view with lid open thereof; and, FIG. 11 is the top view with lid open thereof.

**1 Claim, 5 Drawing Sheets**



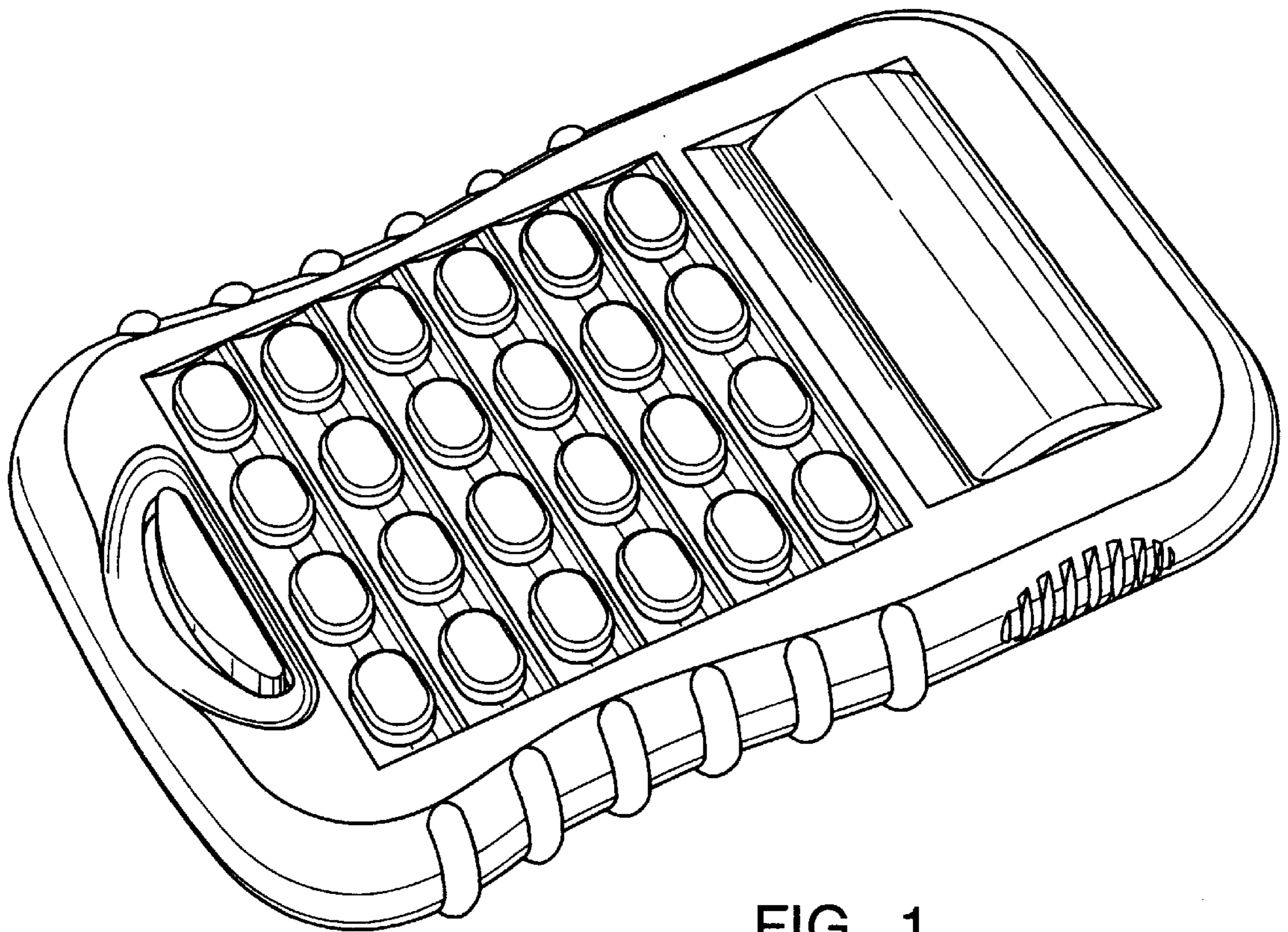


FIG. 1

FIG. 6

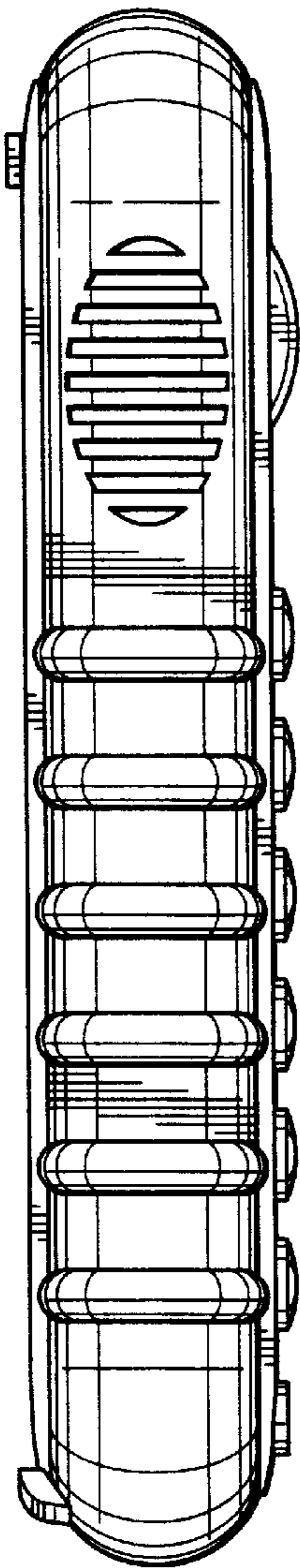
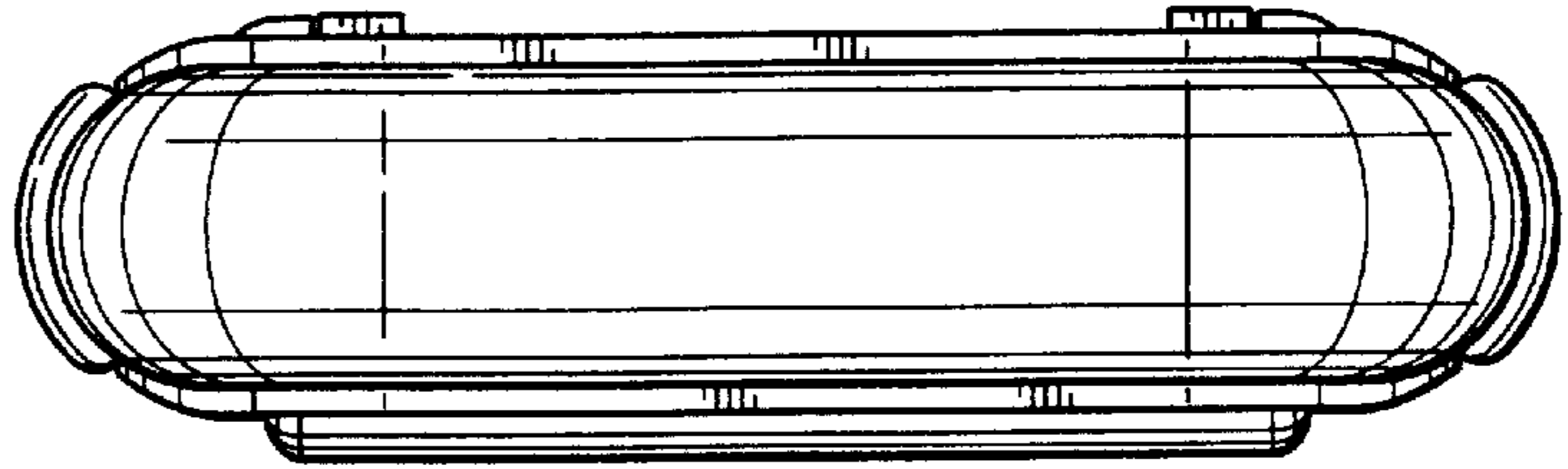


FIG. 4

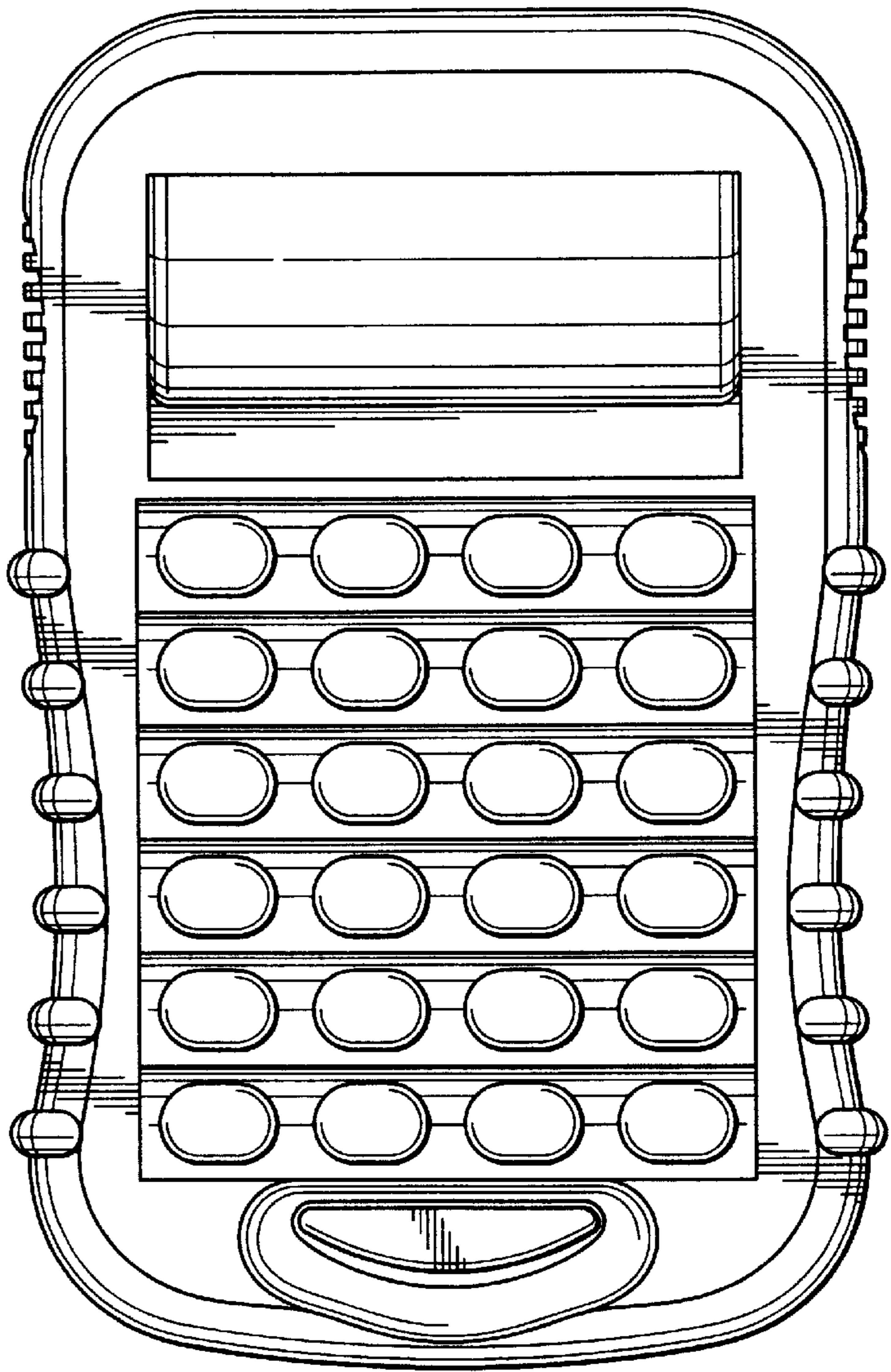


FIG. 2

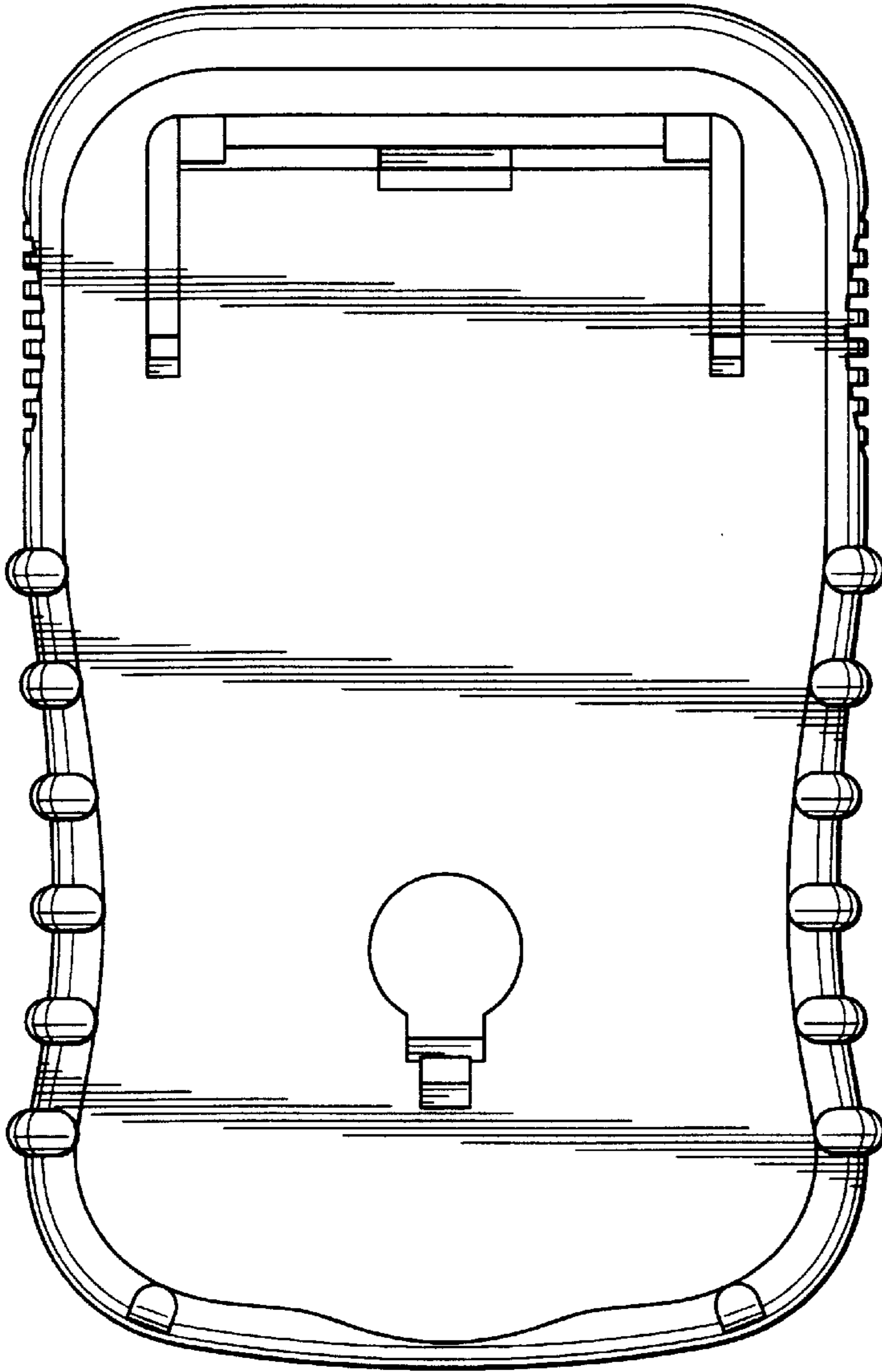


FIG. 3

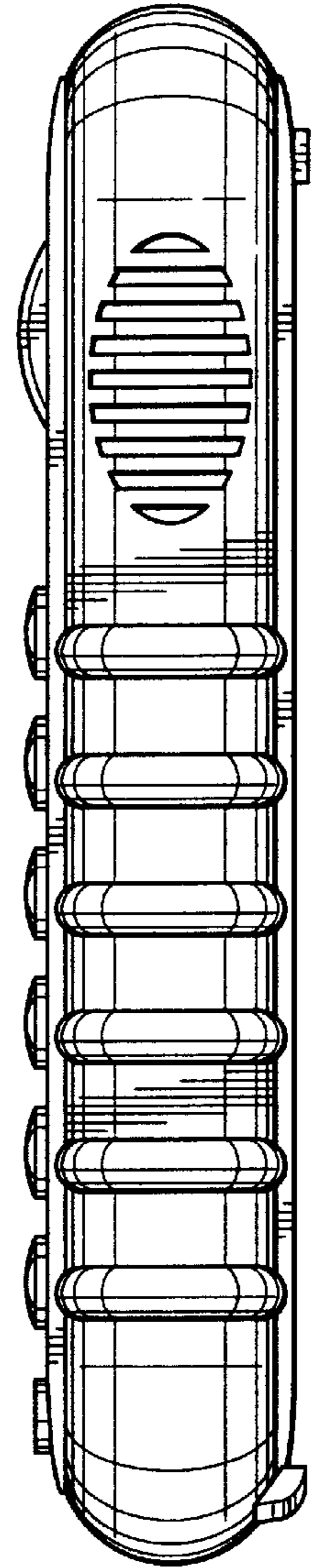


FIG. 5

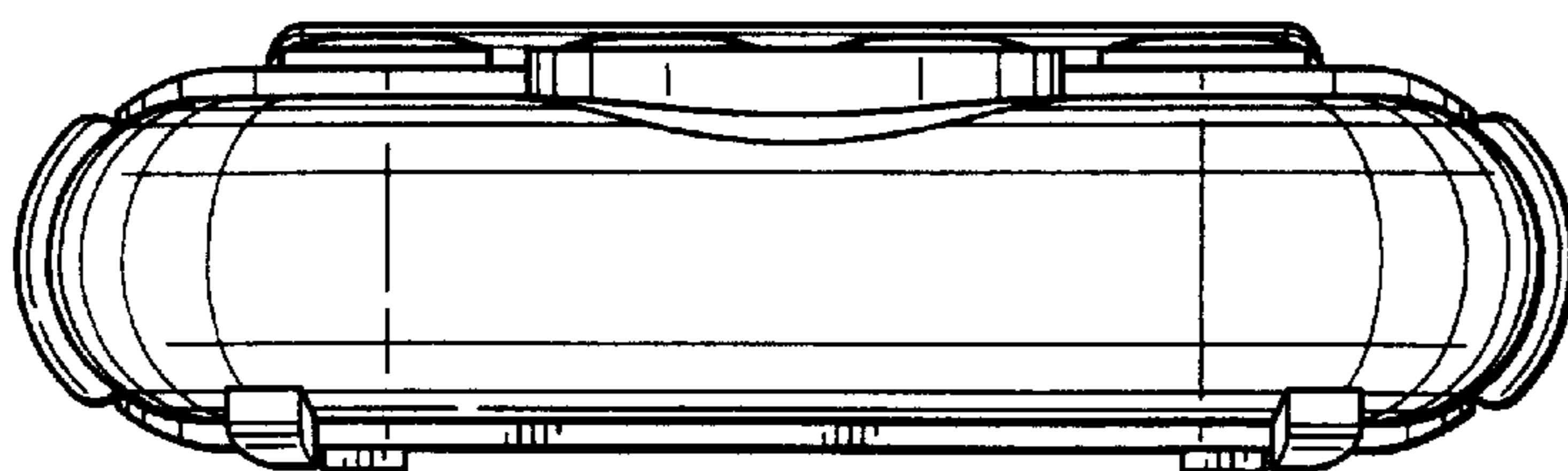


FIG. 7

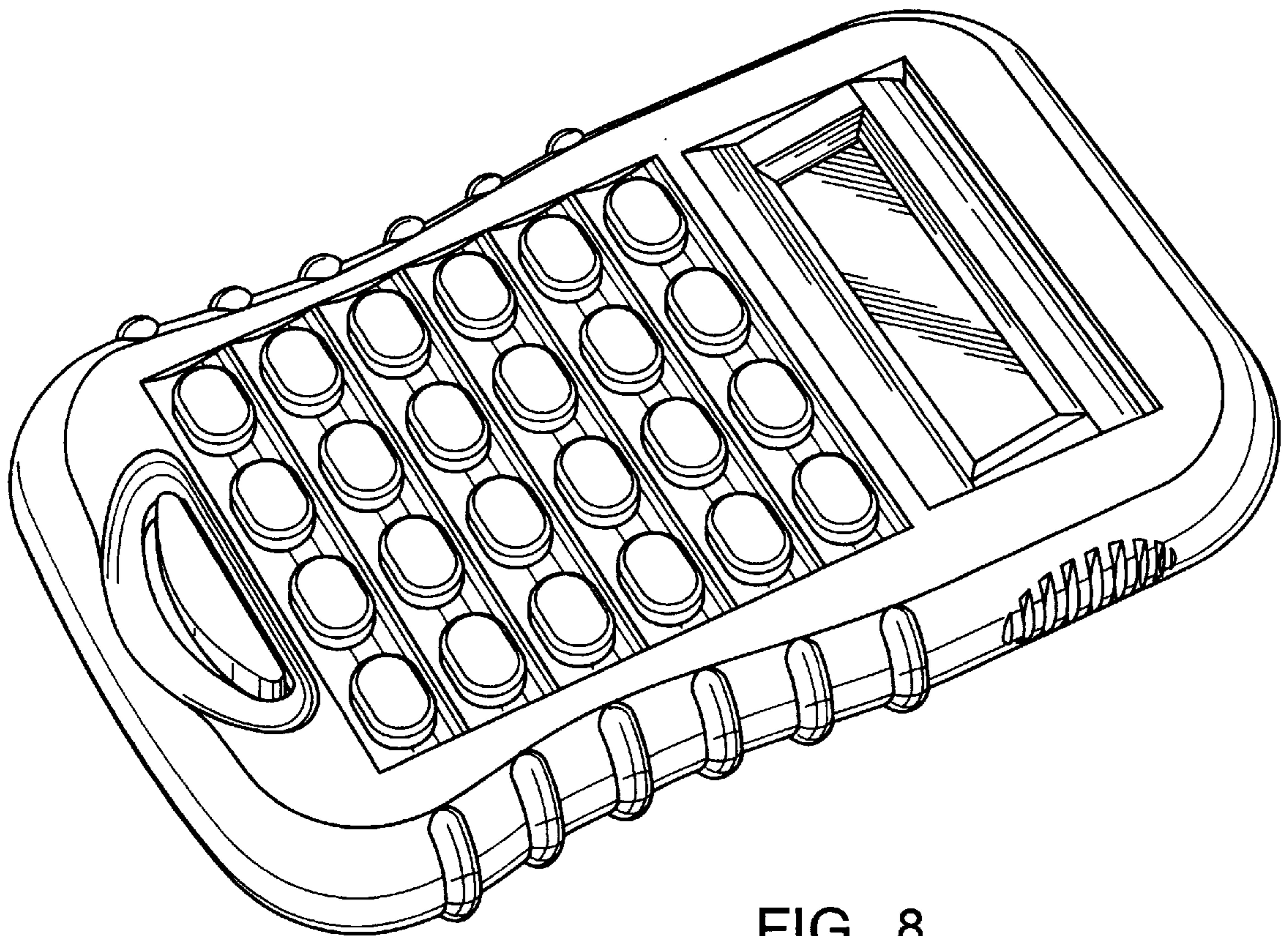


FIG. 8

FIG. 11

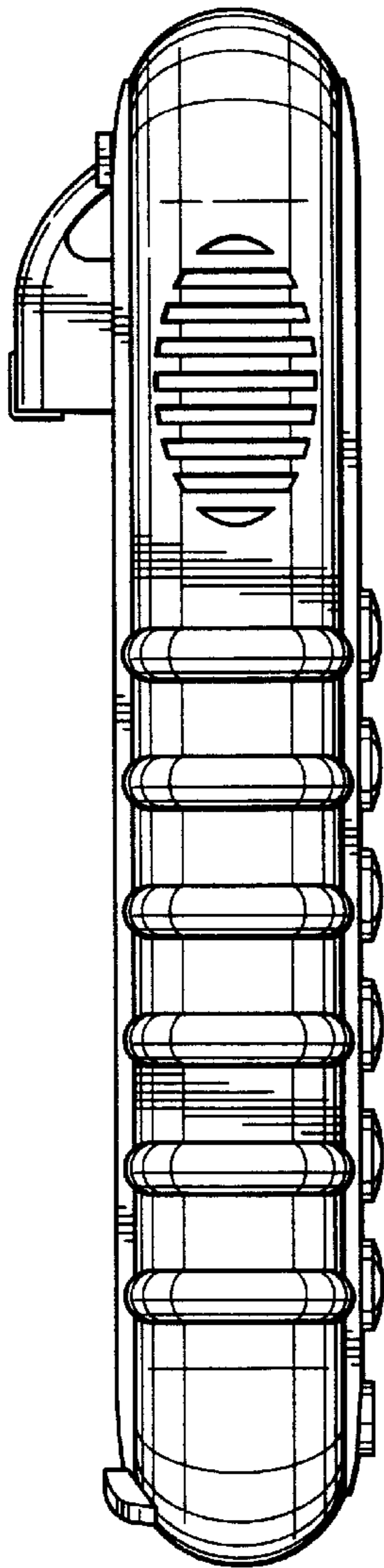
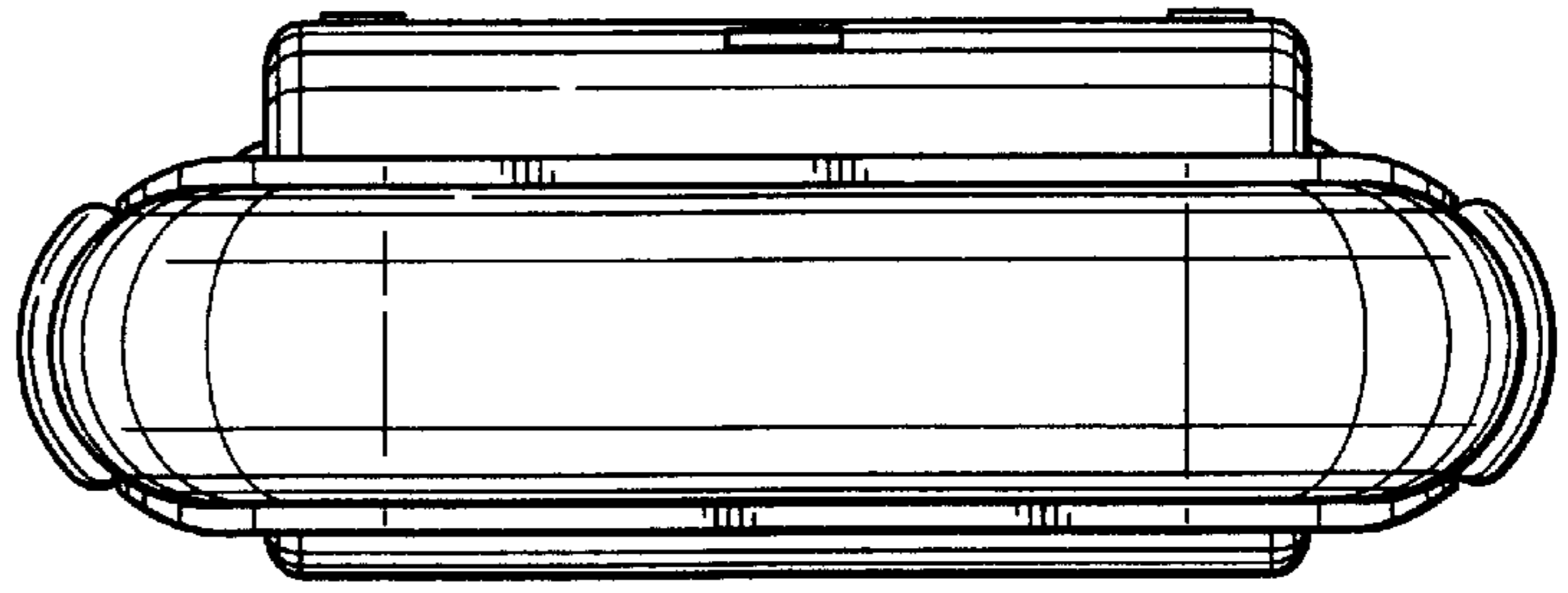


FIG. 10

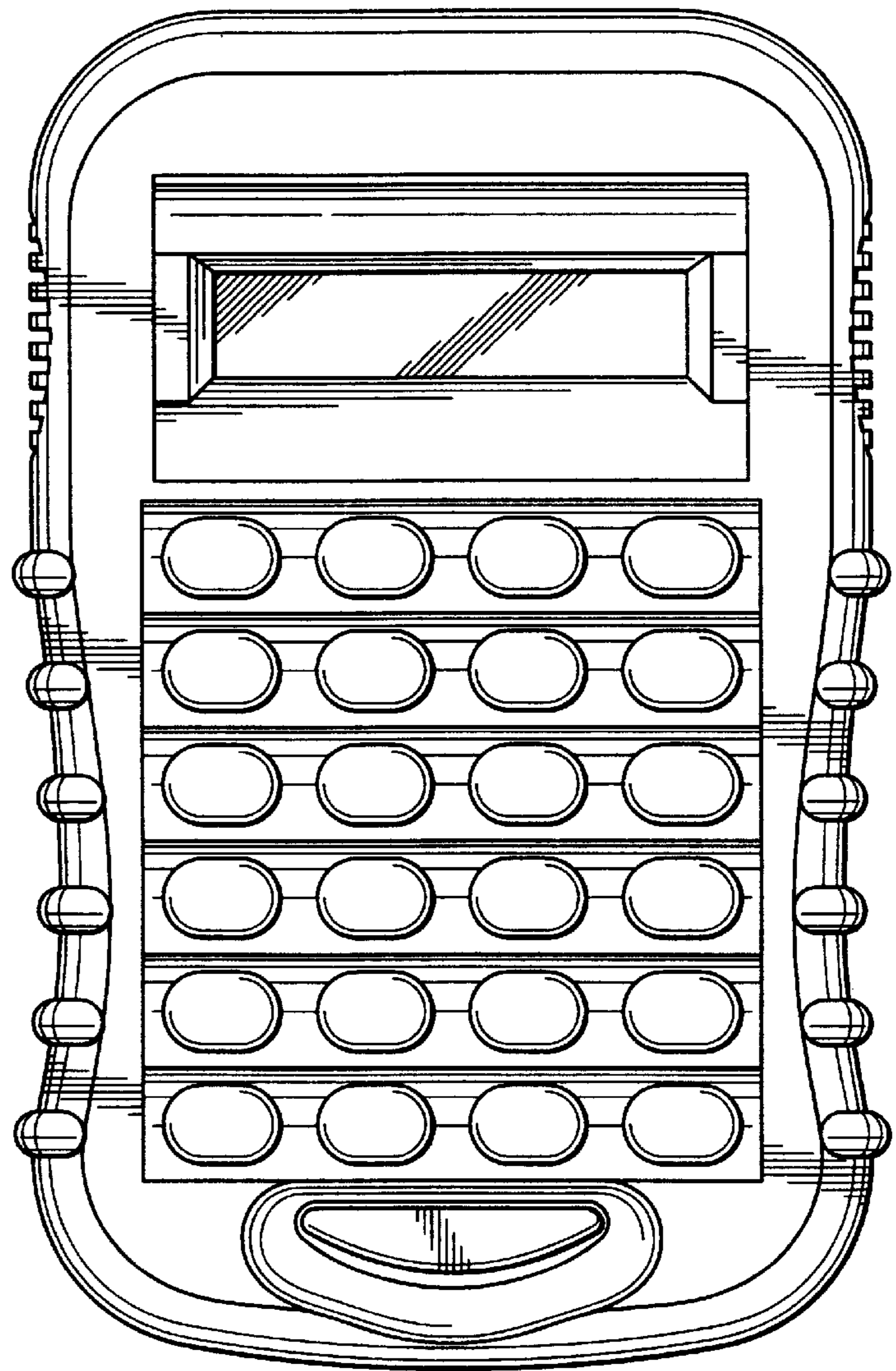


FIG. 9