



US00D419586S

United States Patent [19]
Kuo

[11] **Patent Number: Des. 419,586**
[45] **Date of Patent: ** Jan. 25, 2000**

[54] **SAXOPHONE**

3,136,200 6/1964 Leblanc 84/385 R
5,796,022 8/1998 Miller 84/380 R

[76] Inventor: **Chu-Rong Kuo**, 12F, No. 367, Han Kou Road, Sec. 4, Taichung, Taiwan

Primary Examiner—Adir Aronovich
Attorney, Agent, or Firm—Browdy and Neimark

[**] Term: **14 Years**

[57] **CLAIM**

[21] Appl. No.: **29/098,174**

The ornamental design for a saxophone, as shown and described.

[22] Filed: **Dec. 21, 1998**

DESCRIPTION

[51] **LOC (7) Cl.** **17-02**

[52] **U.S. Cl.** **D17/10**; 84/385 R

[58] **Field of Search** D17/10-13; 84/380 R,
84/385 R, 729-733, 742

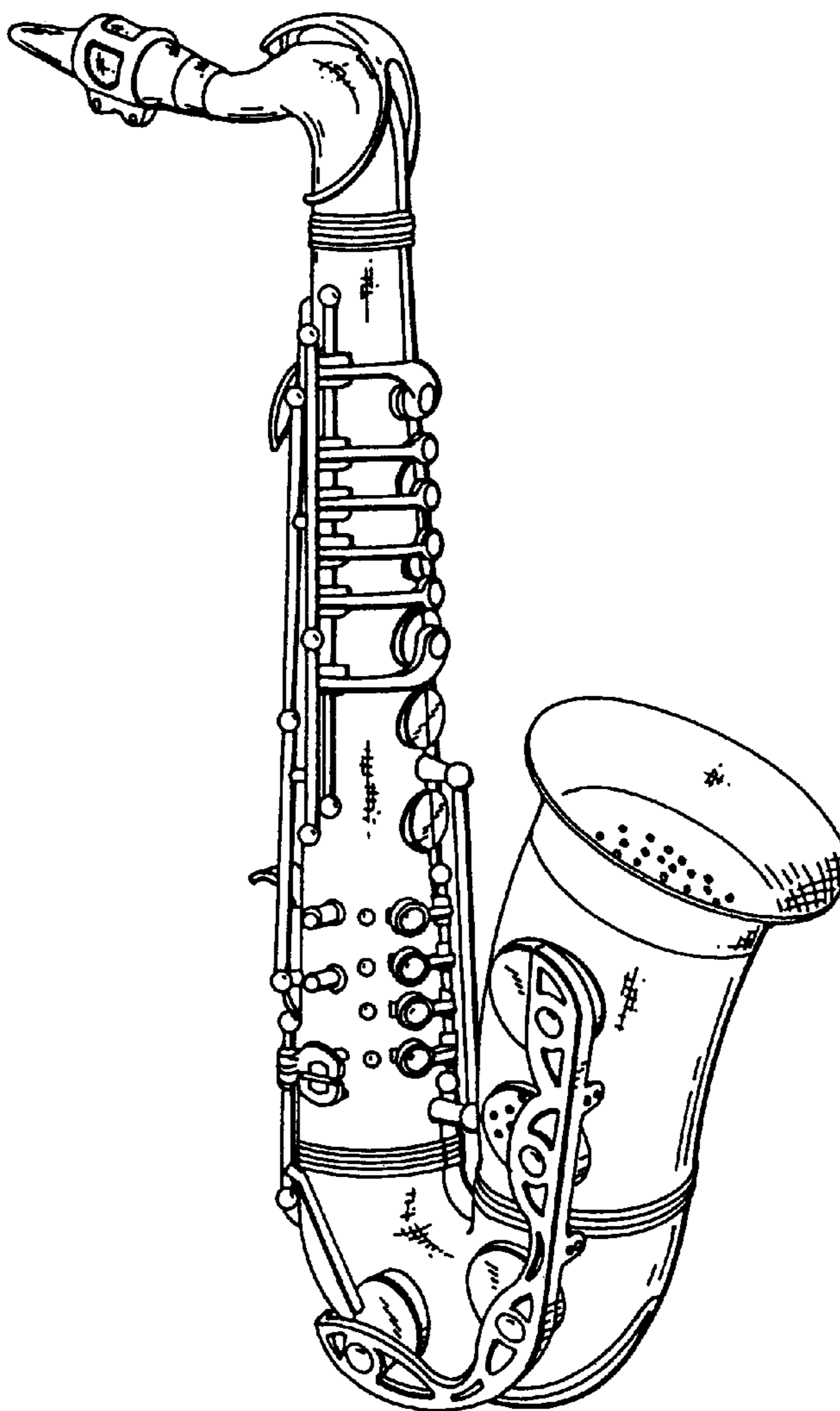
FIG. 1 shows a perspective view of the present design.
FIG. 2 shows a front elevational view of the present design.
FIG. 3 shows a rear elevational view of the present design.
FIG. 4 shows a left elevational view of the present design.
FIG. 5 shows a right elevational view of the present design.
FIG. 6 shows a top plan view of the present design; and,
FIG. 7 shows a bottom plan view of the present design.

[56] **References Cited**

U.S. PATENT DOCUMENTS

D. 374,027 9/1996 Lee D17/10
2,133,625 10/1938 Loomis 84/384 R

1 Claim, 5 Drawing Sheets



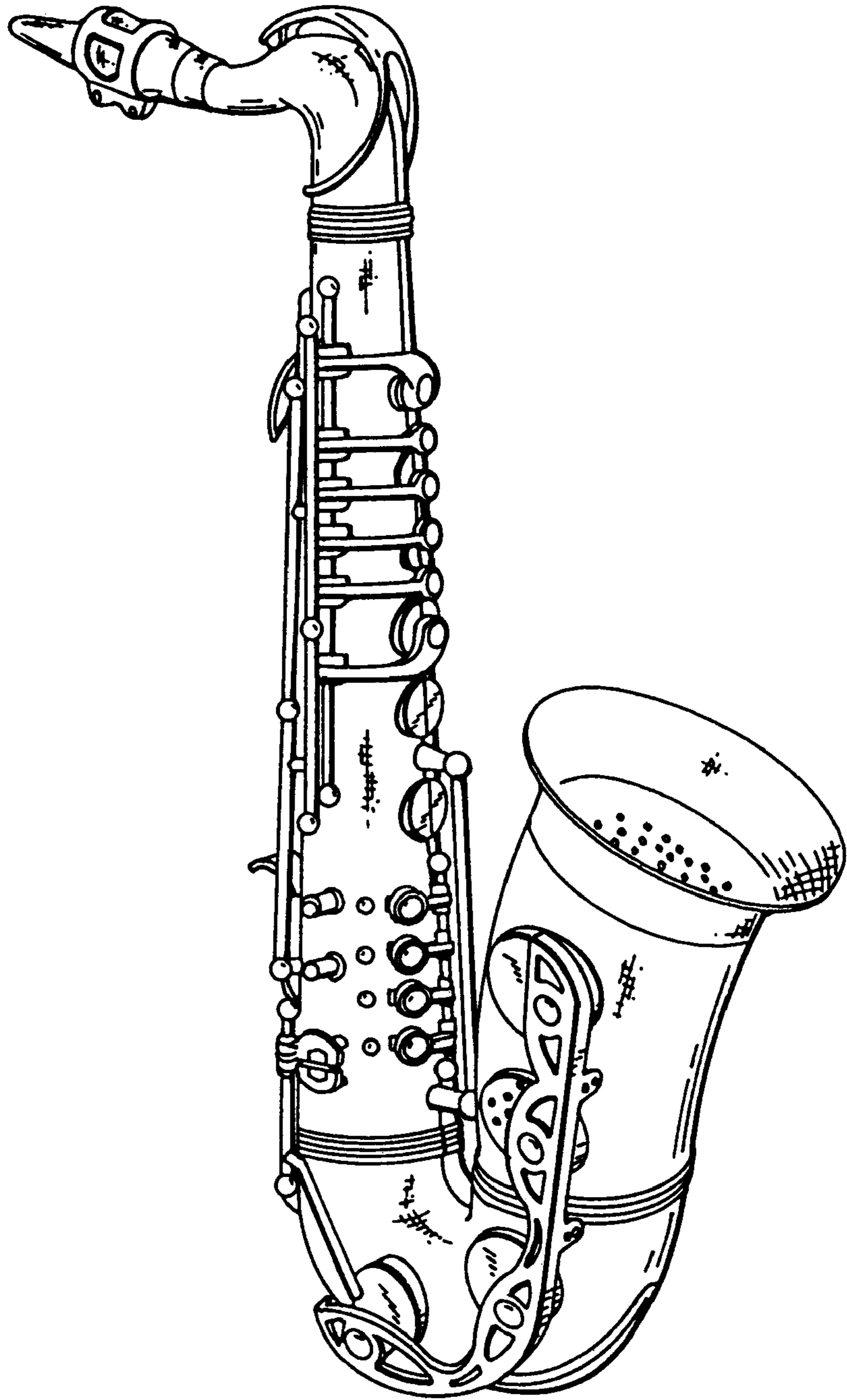


FIG. 1

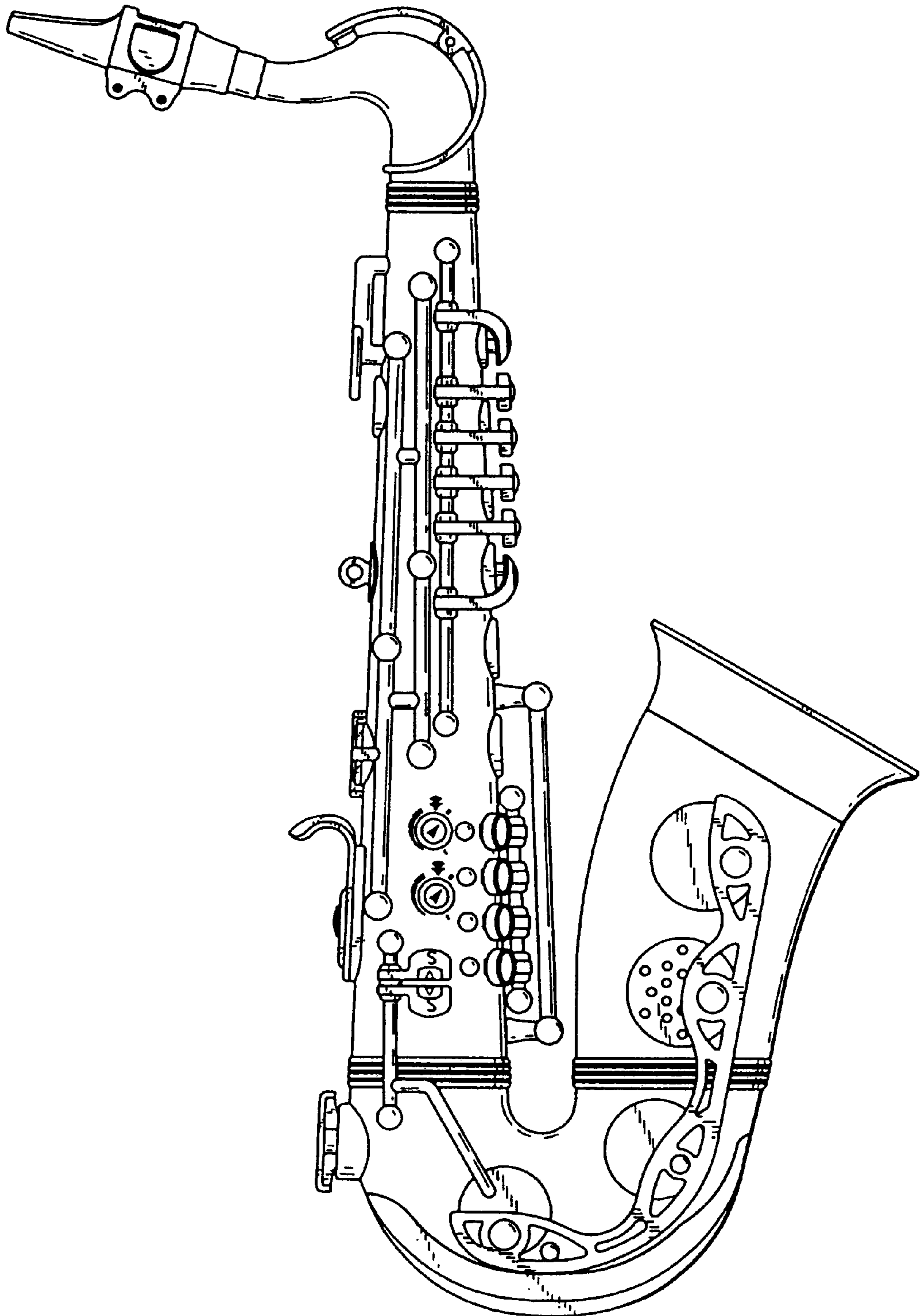


FIG. 2

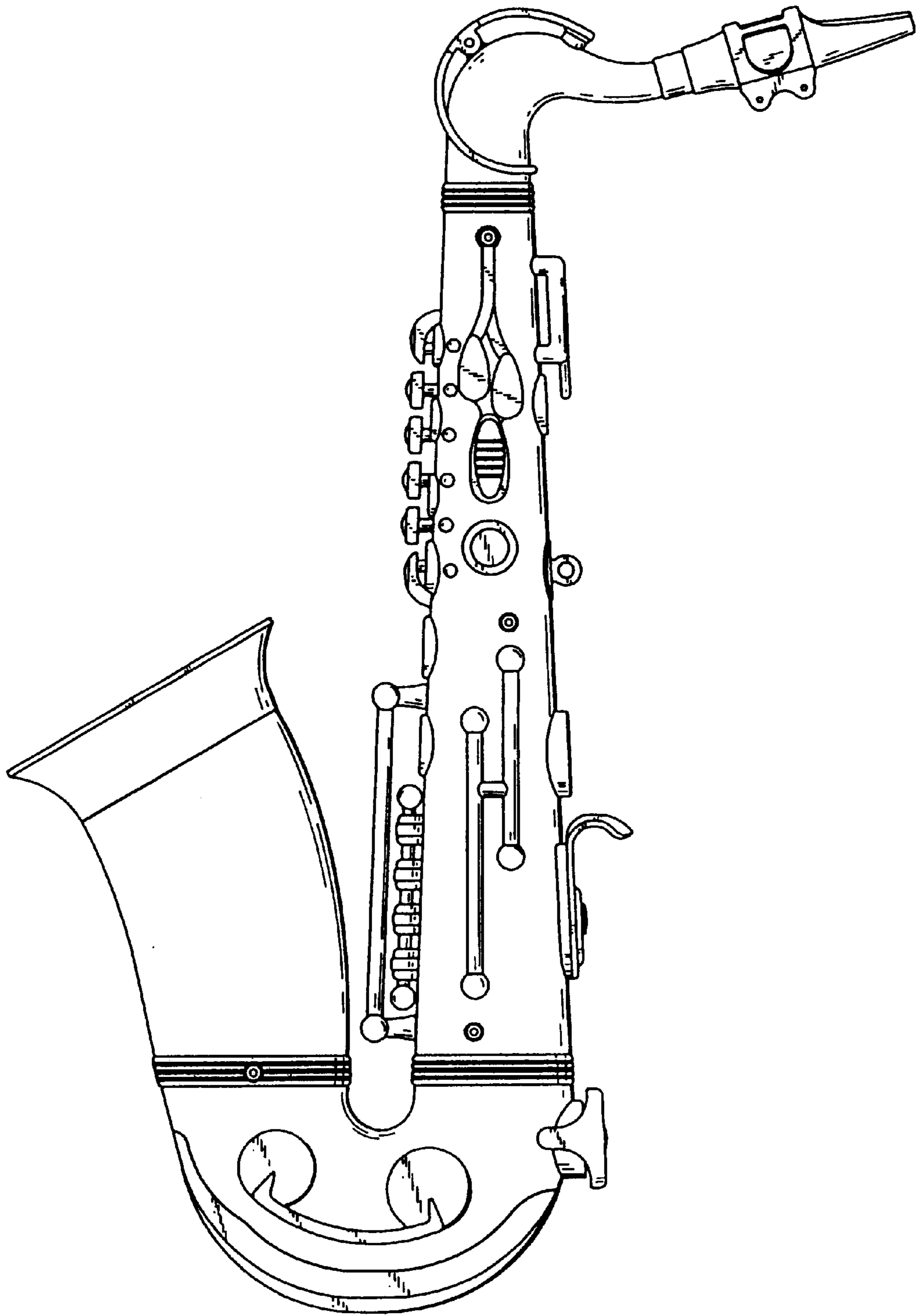


FIG. 3

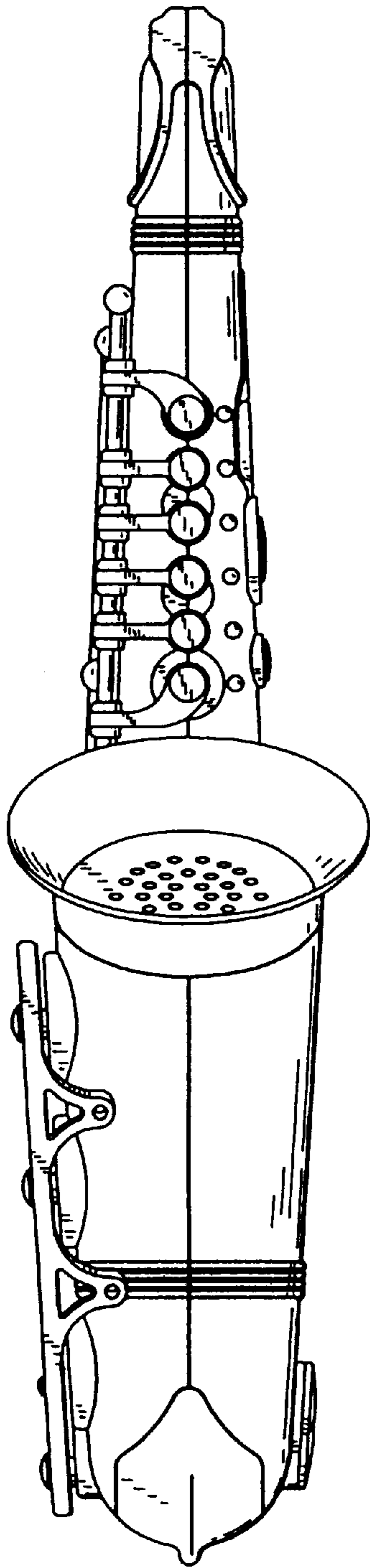


FIG. 5

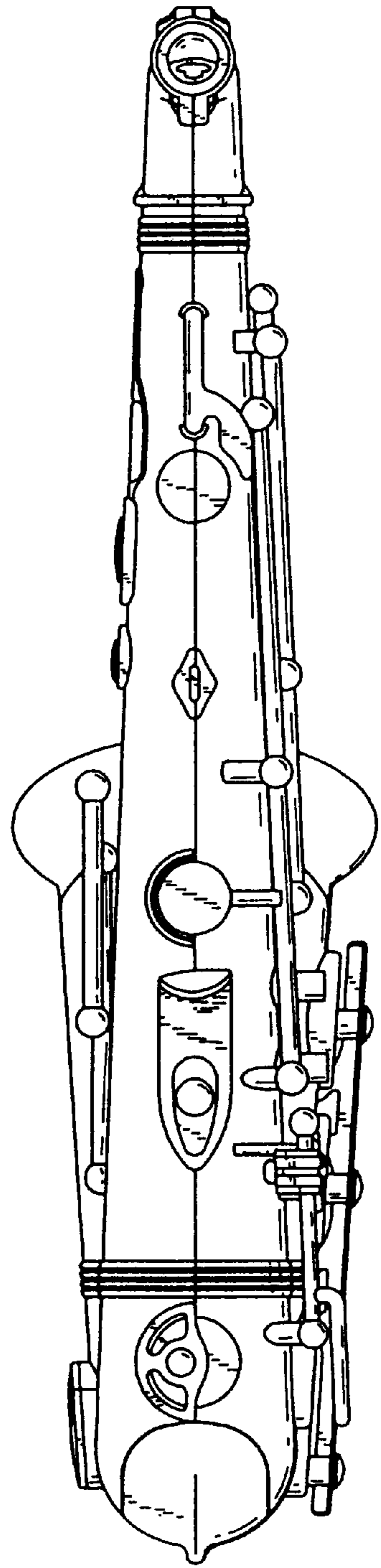


FIG. 4

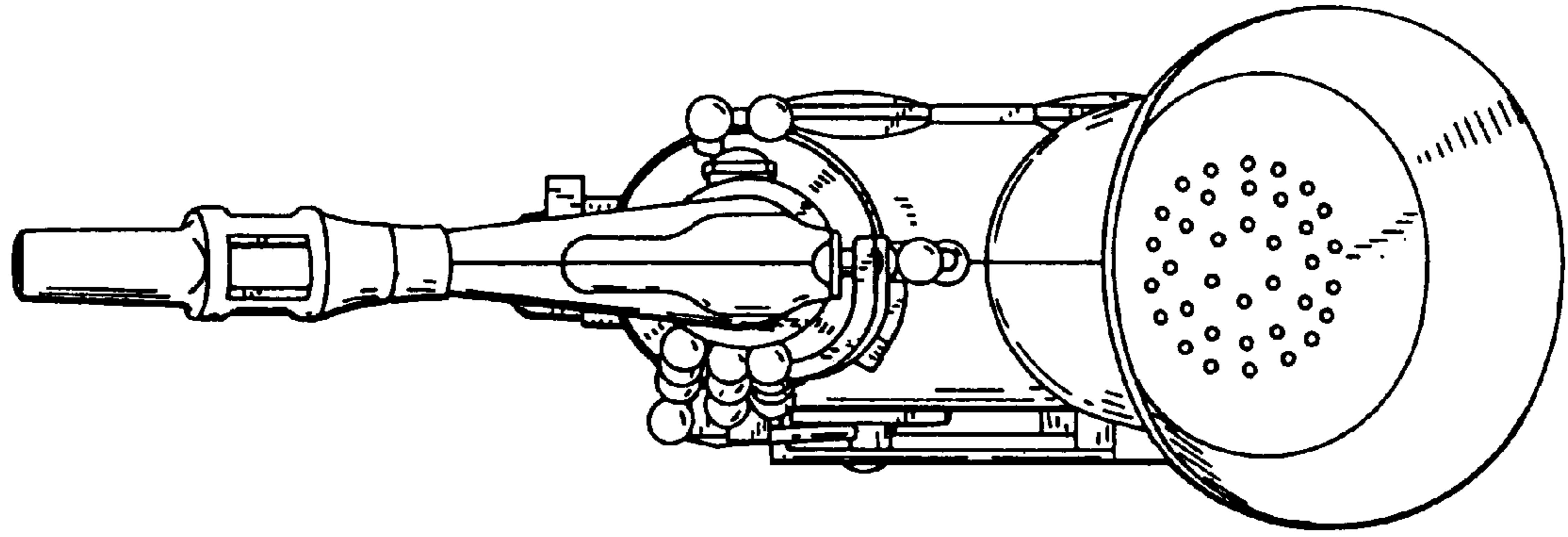


FIG. 6

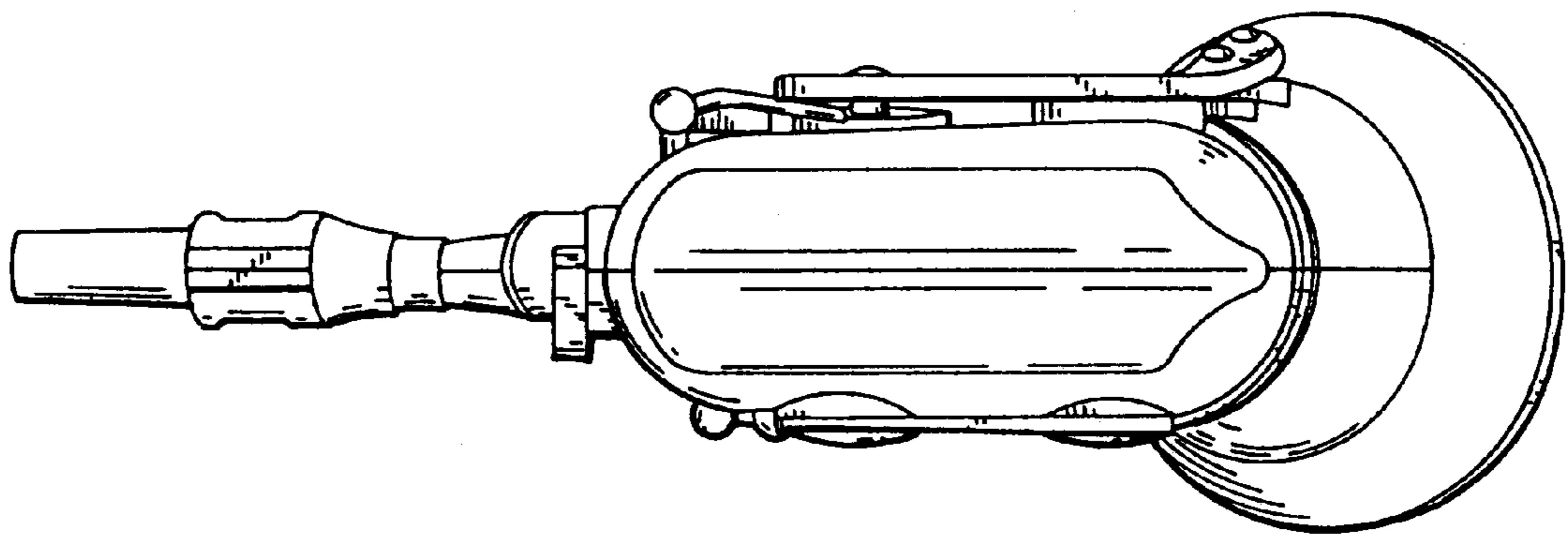


FIG. 7