



US00D419582S

United States Patent [19] Ikenaga

[11] **Patent Number: Des. 419,582**

[45] **Date of Patent: ** Jan. 25, 2000**

[54] **COLLAPSIBLE OVERHEAD PROJECTOR**

[75] Inventor: **Takashi Ikenaga**, Tokyo, Japan

[73] Assignee: **Sony Corporation**, Tokyo, Japan

[**] Term: **14 Years**

[21] Appl. No.: **29/083,007**

[22] Filed: **Feb. 4, 1998**

[51] **LOC (7) Cl. 16-02**

[52] **U.S. Cl. D16/232; D16/229**

[58] **Field of Search D16/221, 225, D16/134, 135, 229, 232; 353/61, 66, 119, 122; D6/419, 420, 429-431**

[56] **References Cited**

U.S. PATENT DOCUMENTS

D. 322,264	12/1991	Jewison	D16/232
D. 330,040	10/1992	Watanabe et al.	D16/232
D. 332,110	12/1992	Held	D16/232
D. 365,836	1/1996	Hasegawa	D16/232
D. 367,073	2/1996	Kuo et al.	D16/232
D. 397,709	9/1998	Park et al.	D16/232
4,696,557	9/1987	Tomizuka	353/66
4,921,343	5/1990	Ushiro et al.	353/66
4,978,218	12/1990	Carpenter et al.	353/119
5,382,991	1/1995	Rodriguez, Jr. et al.	353/119
5,722,769	3/1998	Fan	353/119 X

OTHER PUBLICATIONS

Miller's Office Product; p. 166; item C Cobra portable projector with case bottom center of page, 1996. Catalog "87", pp. 370, Sony (Nov. 1997).

Primary Examiner—Carmen H. Vales-Lado
Attorney, Agent, or Firm—Foley & Lardner

[57] **CLAIM**

The ornamental design for a collapsible overhead projector, as shown and described.

DESCRIPTION

FIG. 1 is a perspective view of a collapsible overhead projector showing my new design;
FIG. 2 is a top plan view thereof;
FIG. 3 is a left side elevational view thereof;
FIG. 4 is a front elevational view thereof;
FIG. 5 is a bottom plan view thereof;
FIG. 6 is a right side elevational view thereof;
FIG. 7 is a rear elevational view thereof;
FIG. 8 is a perspective view in a collapsed condition thereof;
FIG. 9 is a perspective view of a second embodiment of the collapsible overhead projector shown in FIG. 1;
FIG. 10 is a top plan view thereof;
FIG. 11 is a left side elevational view thereof;
FIG. 12 is a front elevational view thereof;
FIG. 13 is a bottom plan view thereof;
FIG. 14 is a right side elevational view thereof; and
FIG. 15 is a rear elevational view thereof; and,
FIG. 16 is a perspective view in a collapsed condition thereof.

1 Claim, 8 Drawing Sheets

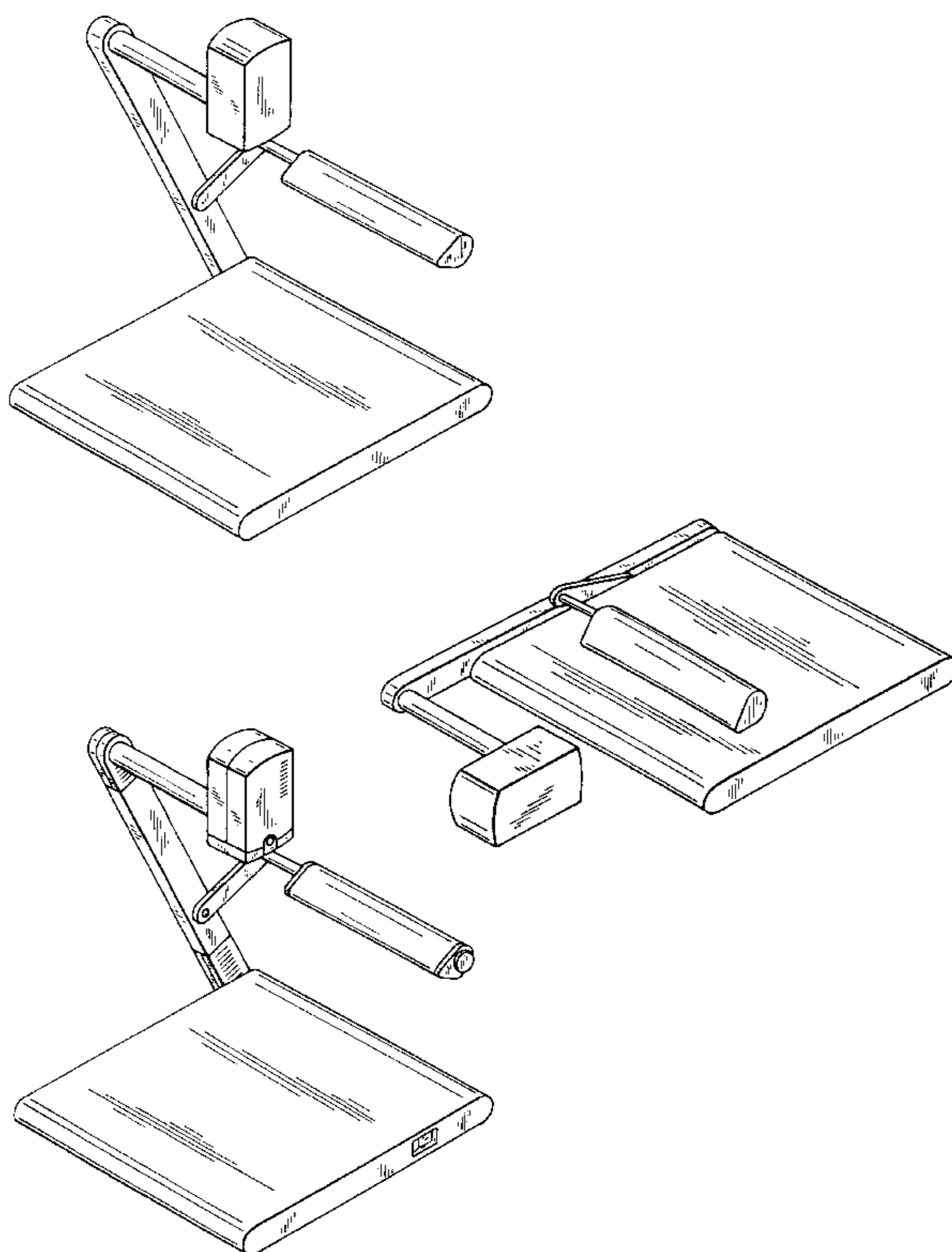


FIG. 8

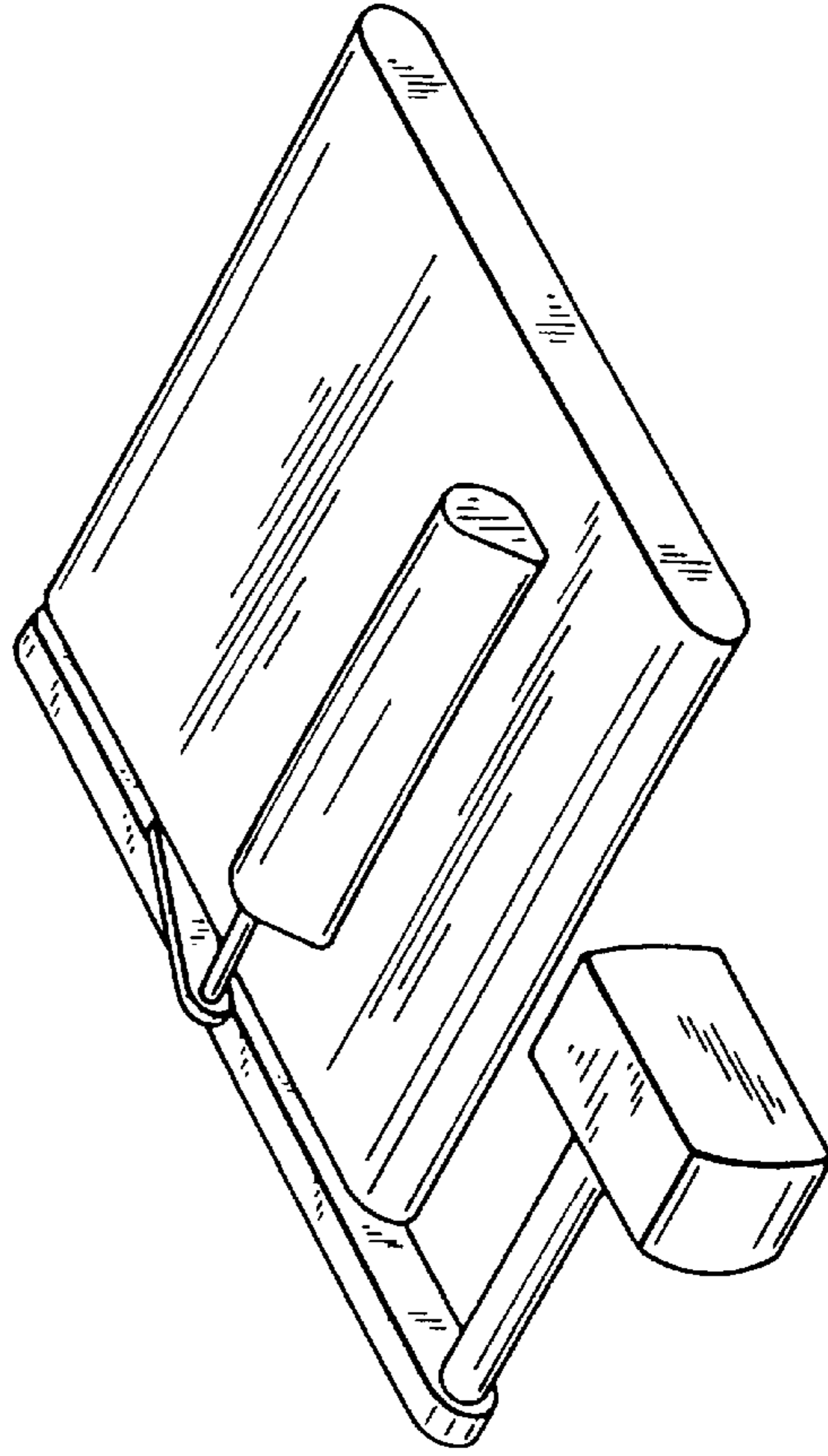


FIG. 1

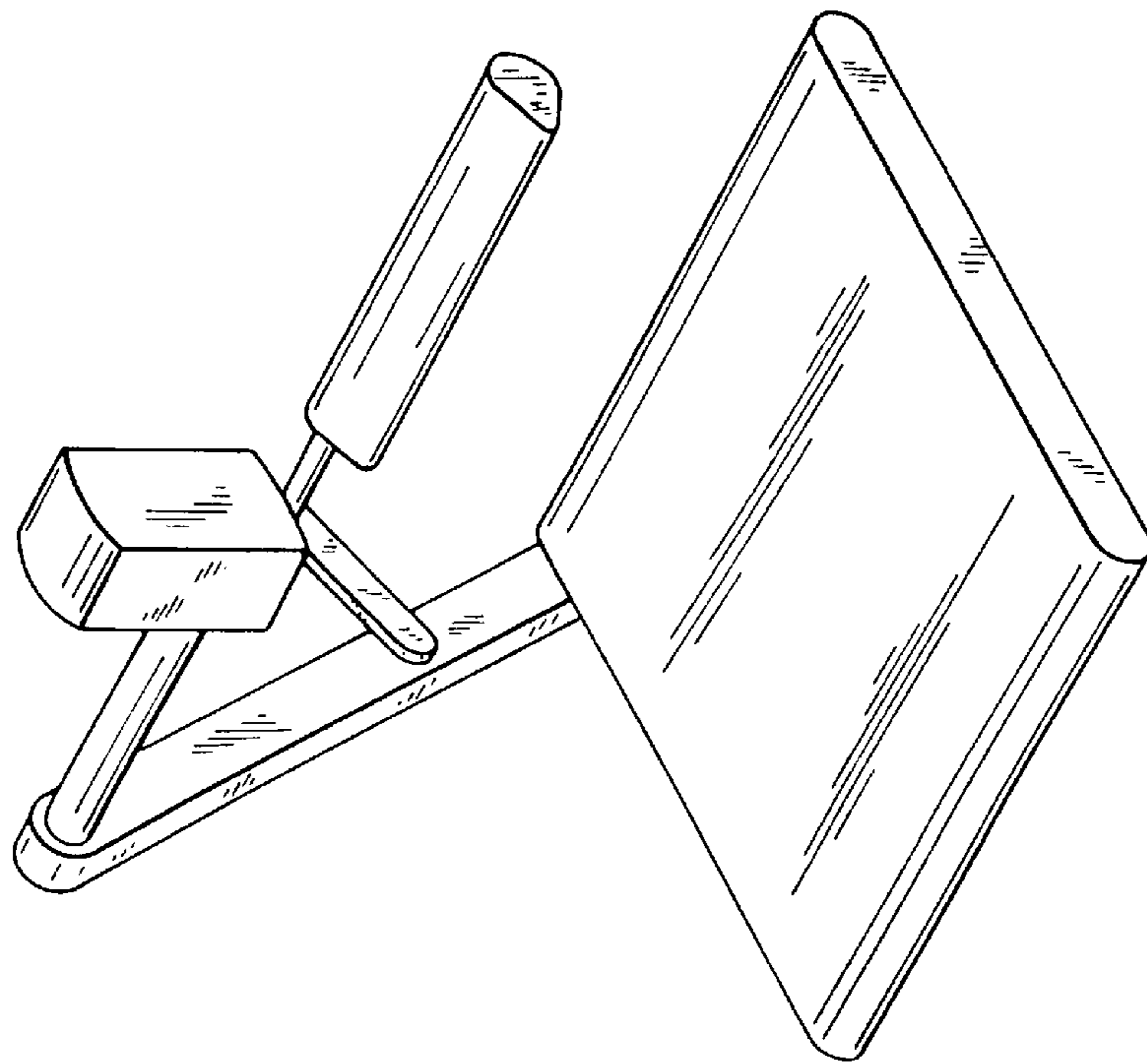


FIG. 3

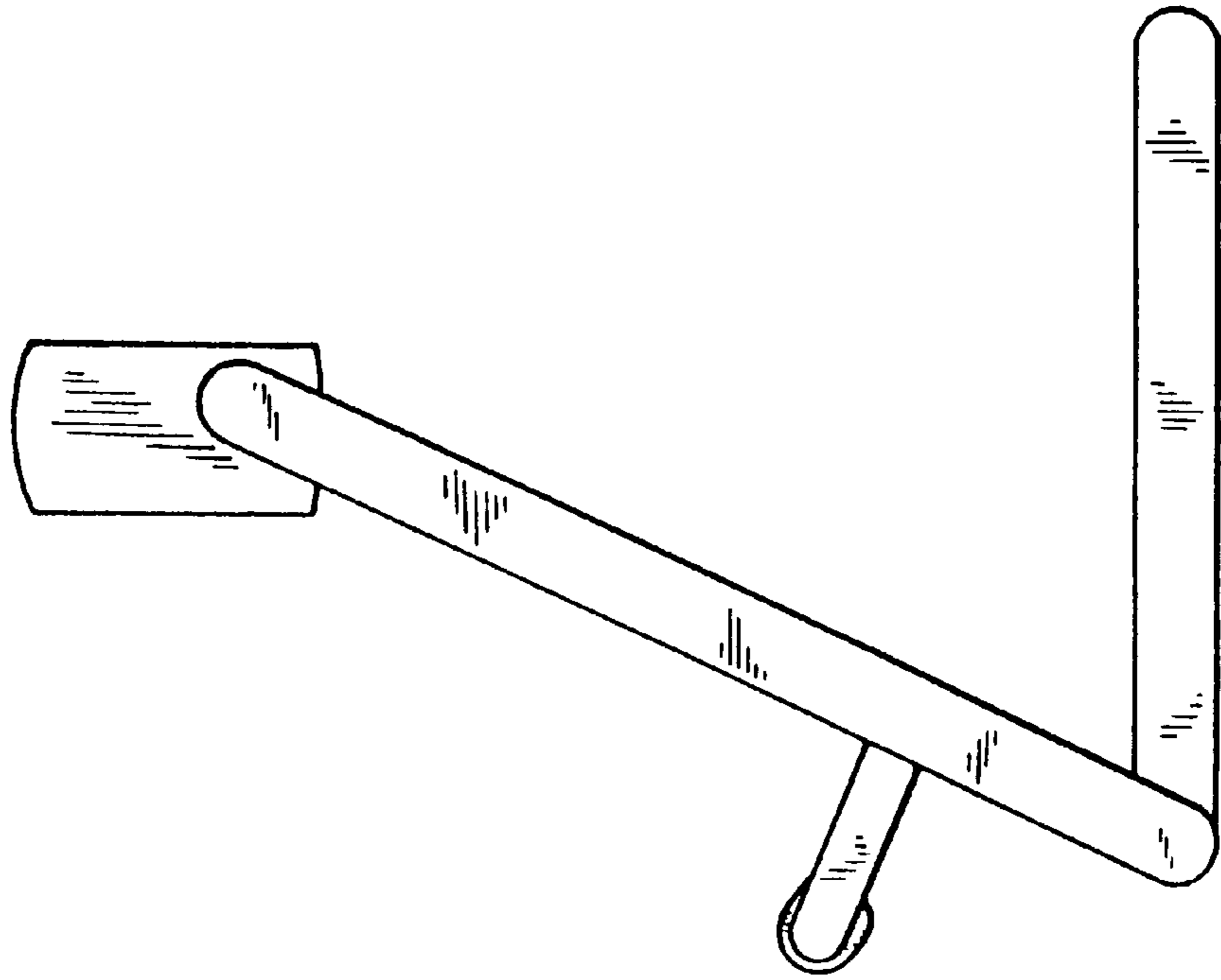


FIG. 2

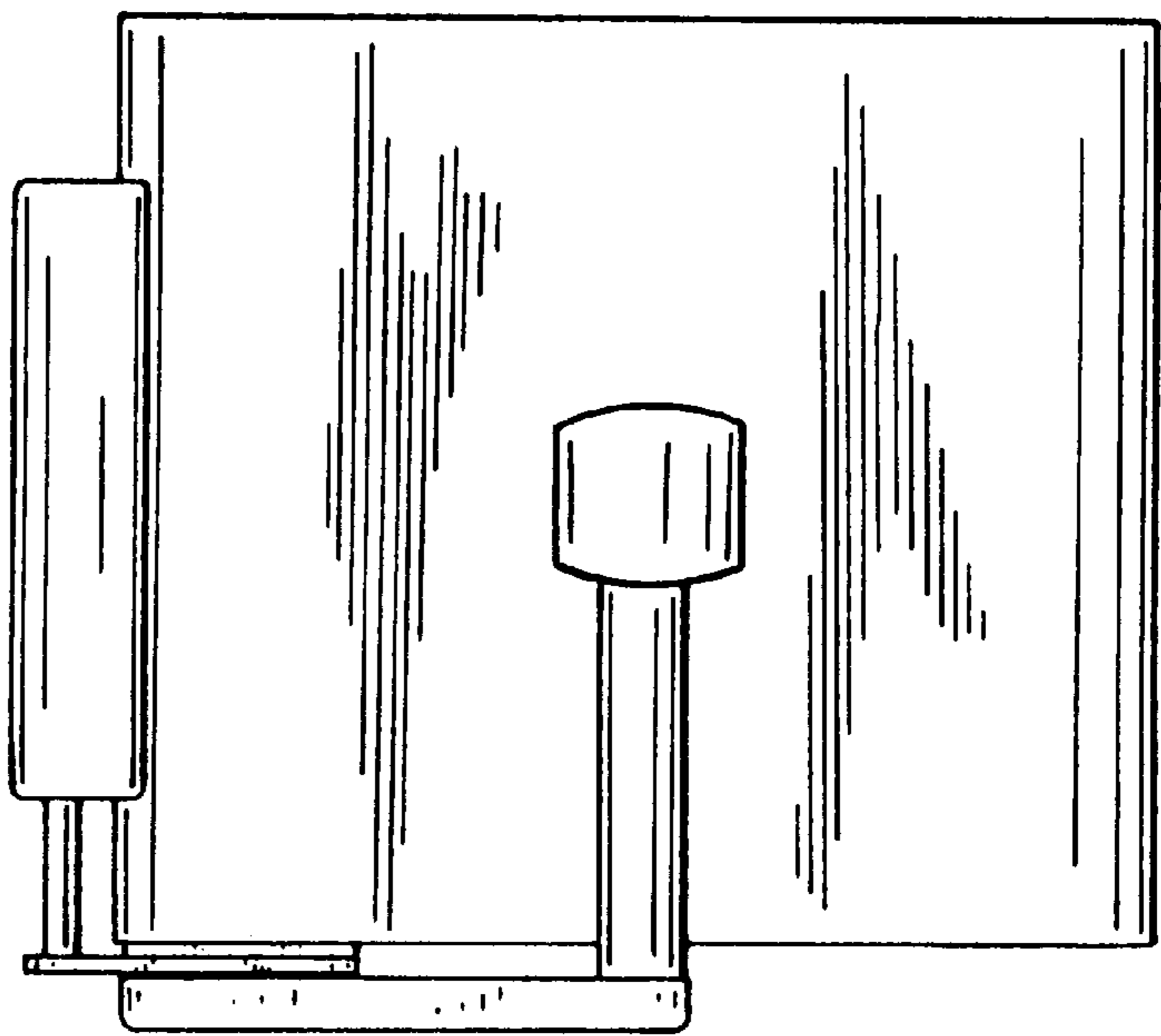


FIG. 5

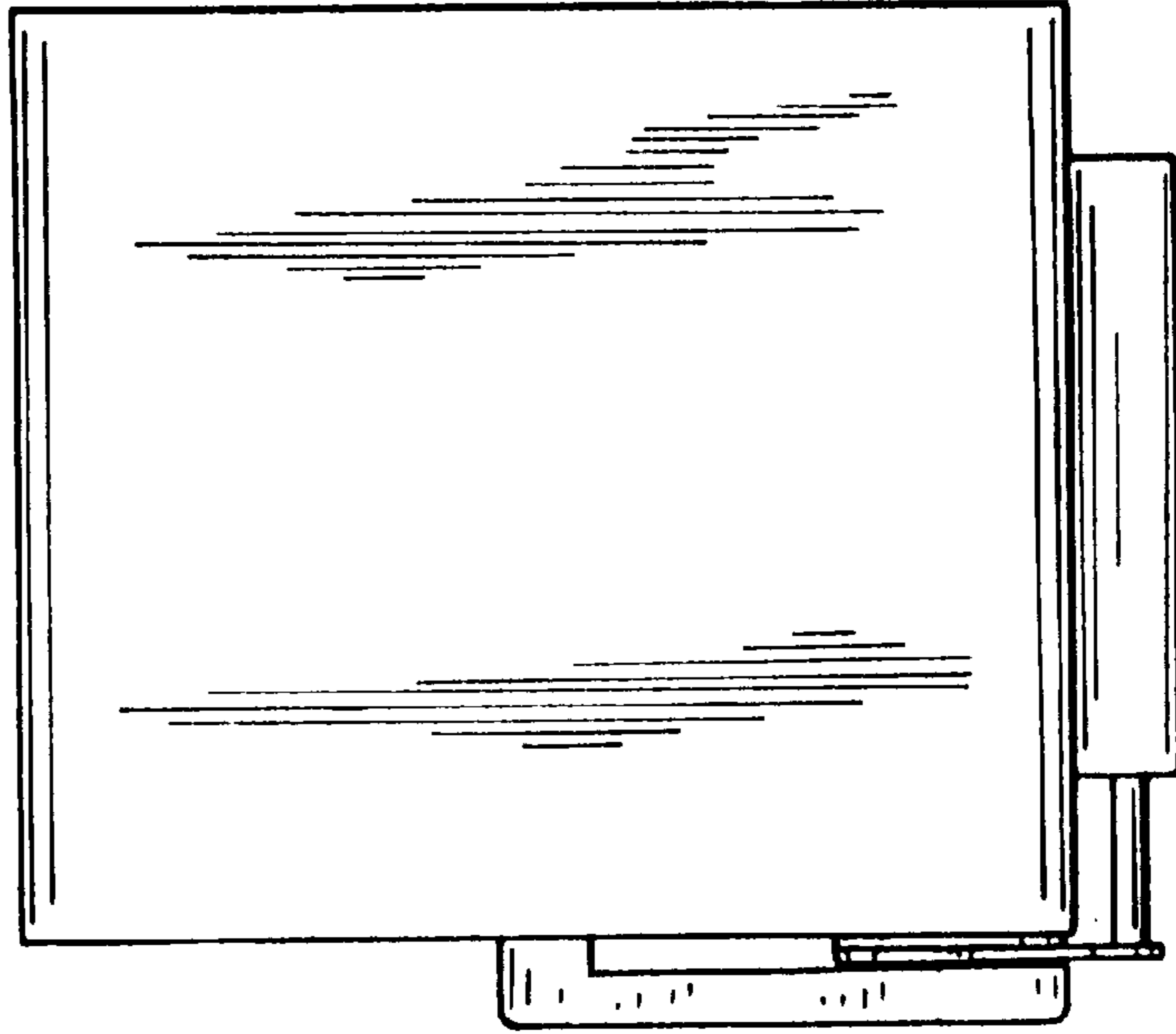


FIG. 4

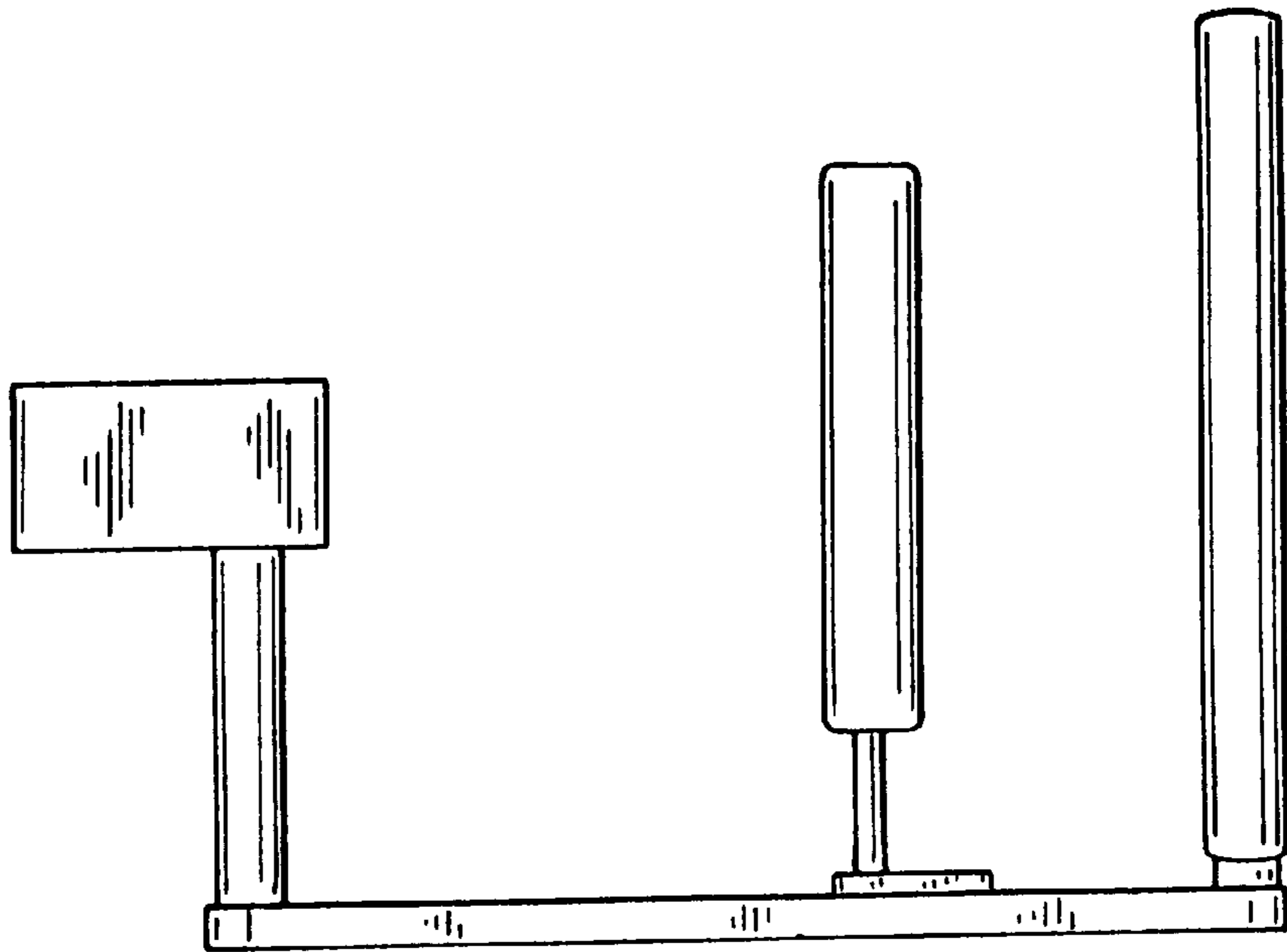


FIG. 7

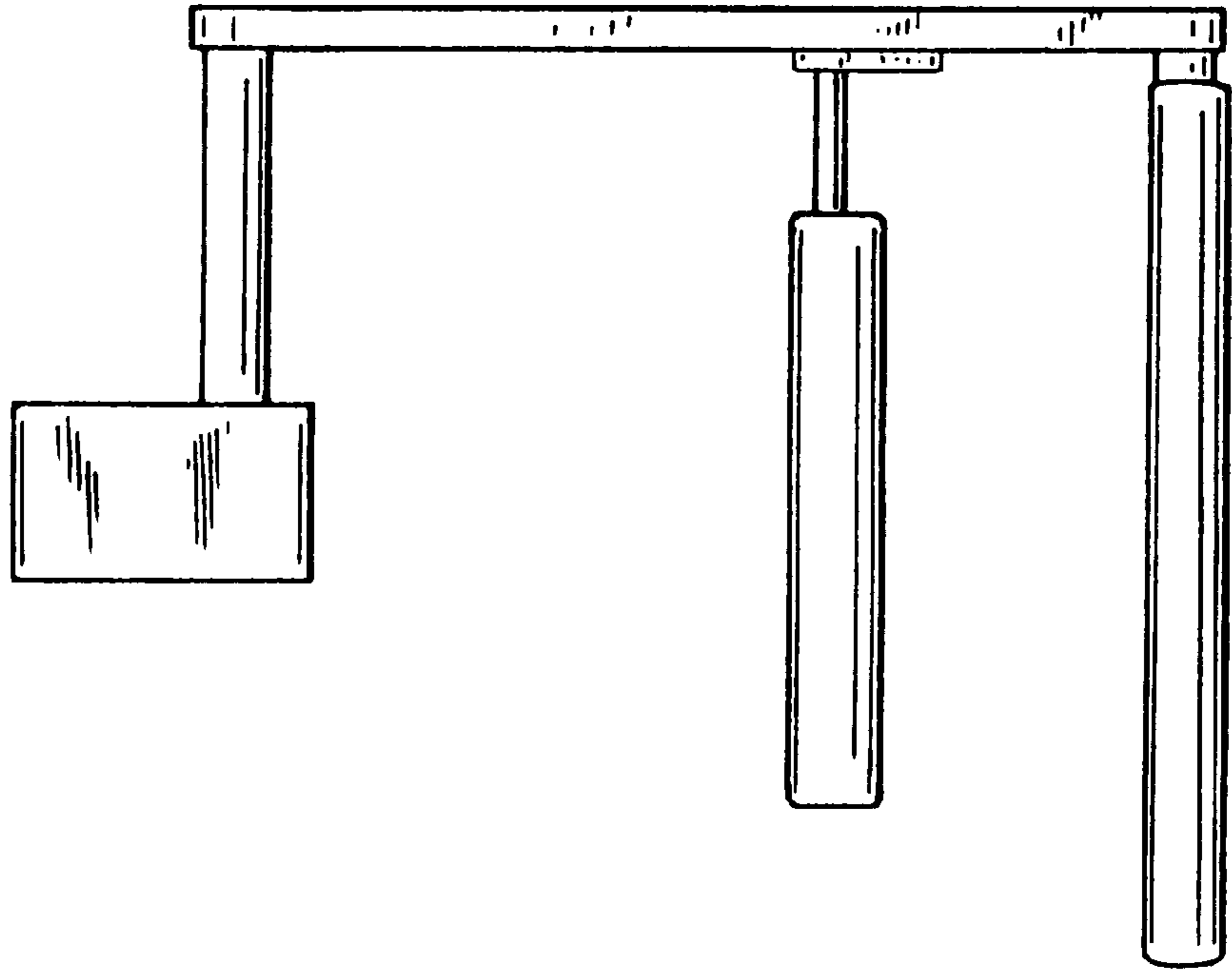


FIG. 6

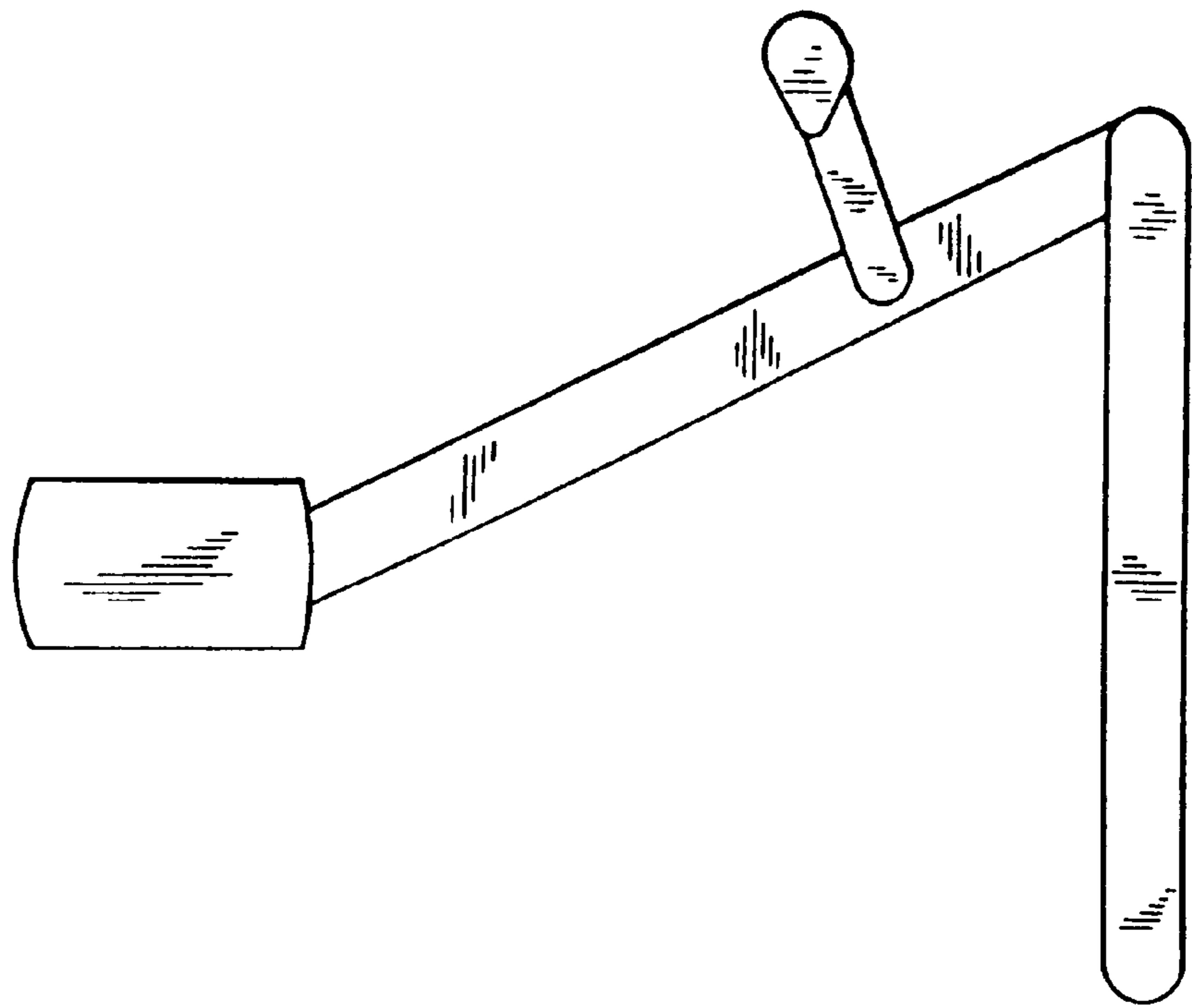


FIG. 16

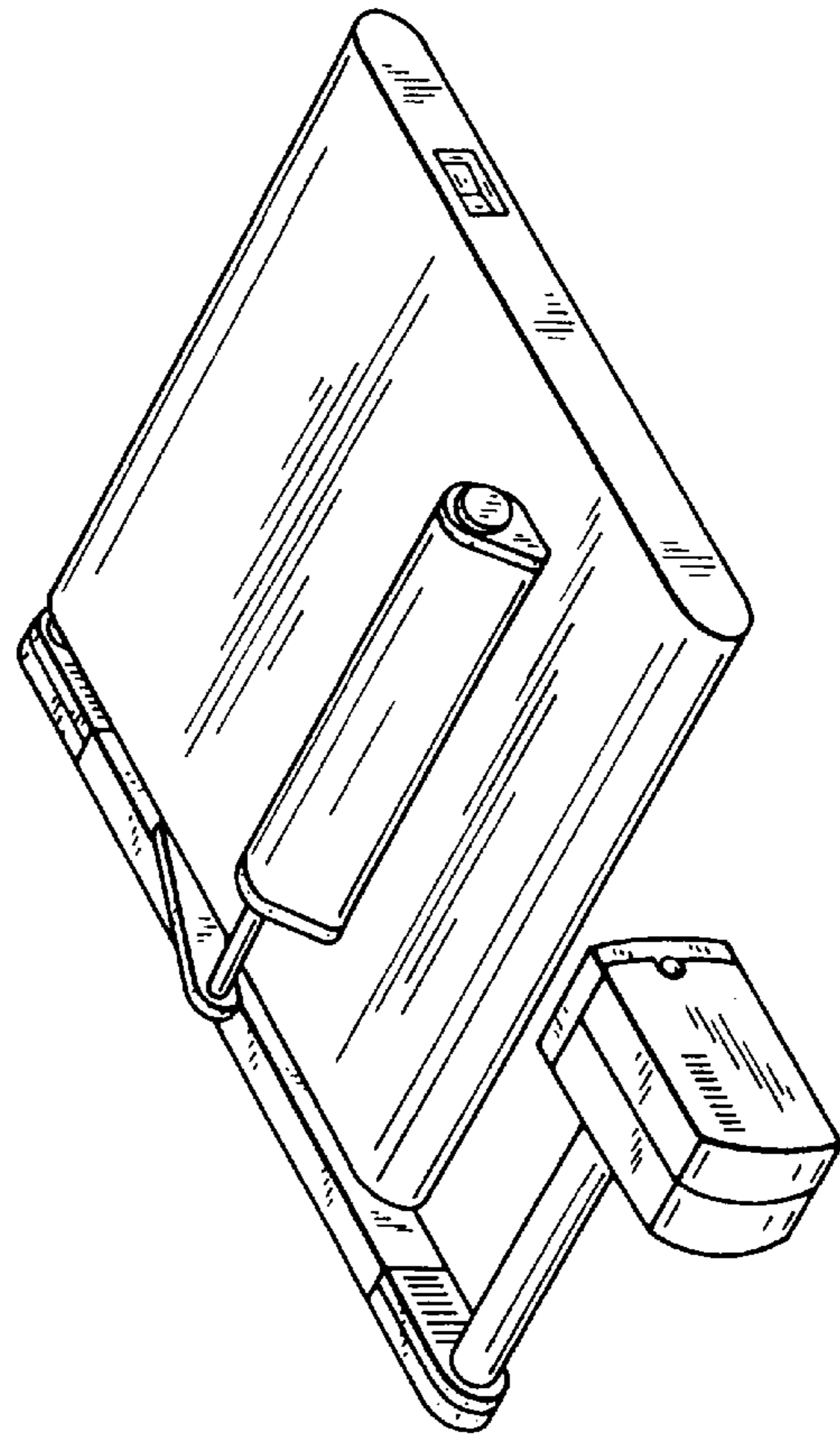


FIG. 9

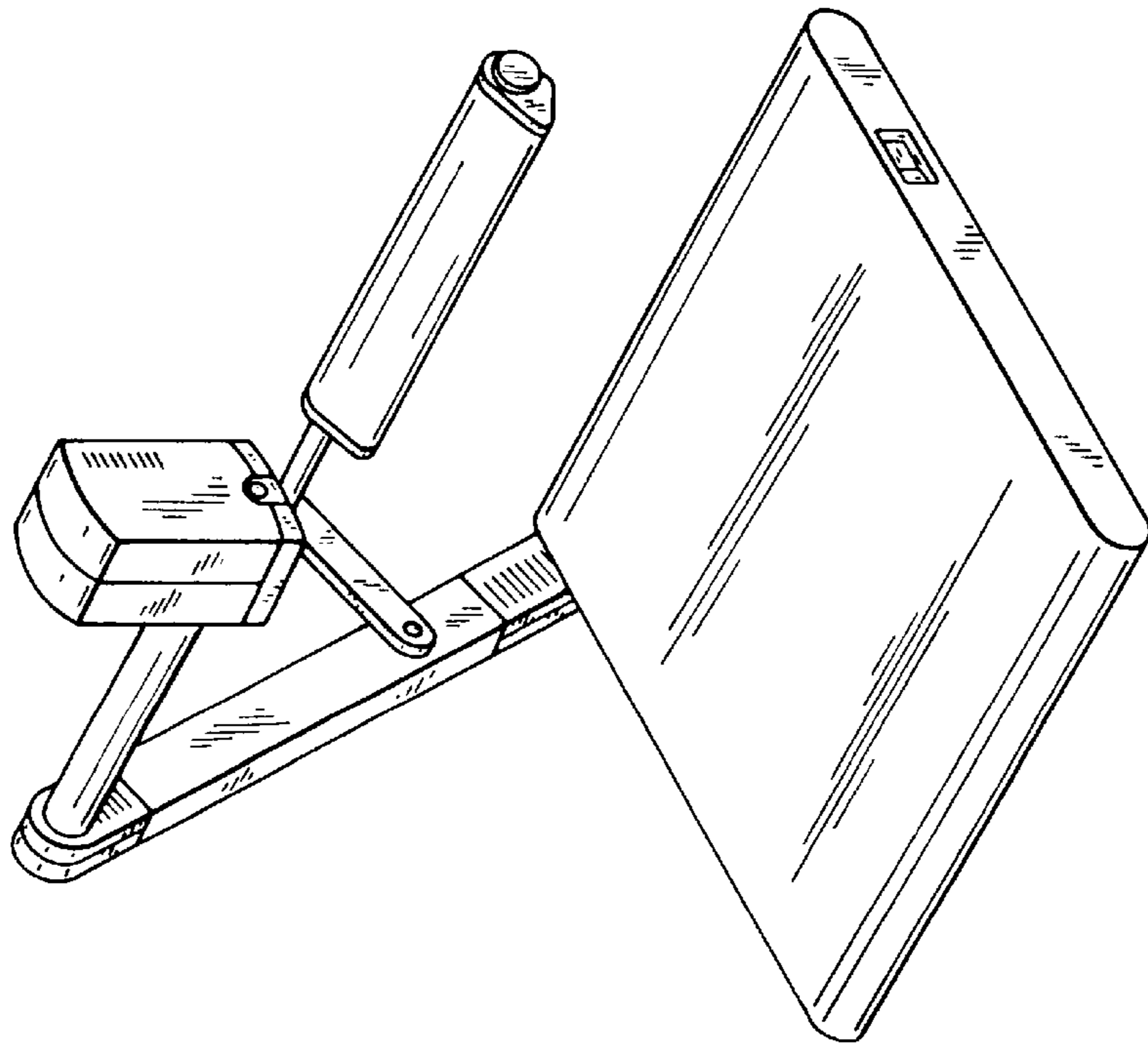


FIG. 11

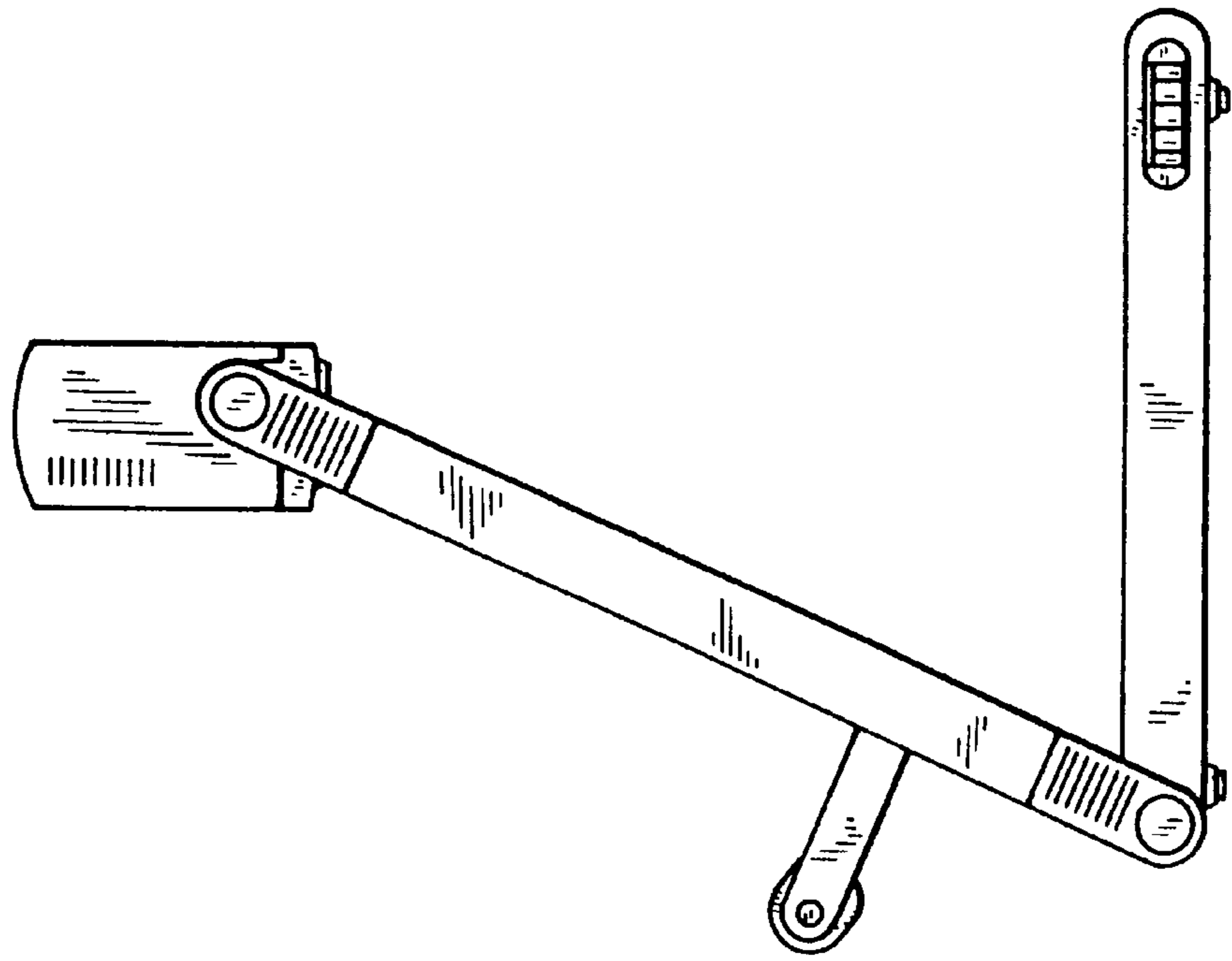


FIG. 10

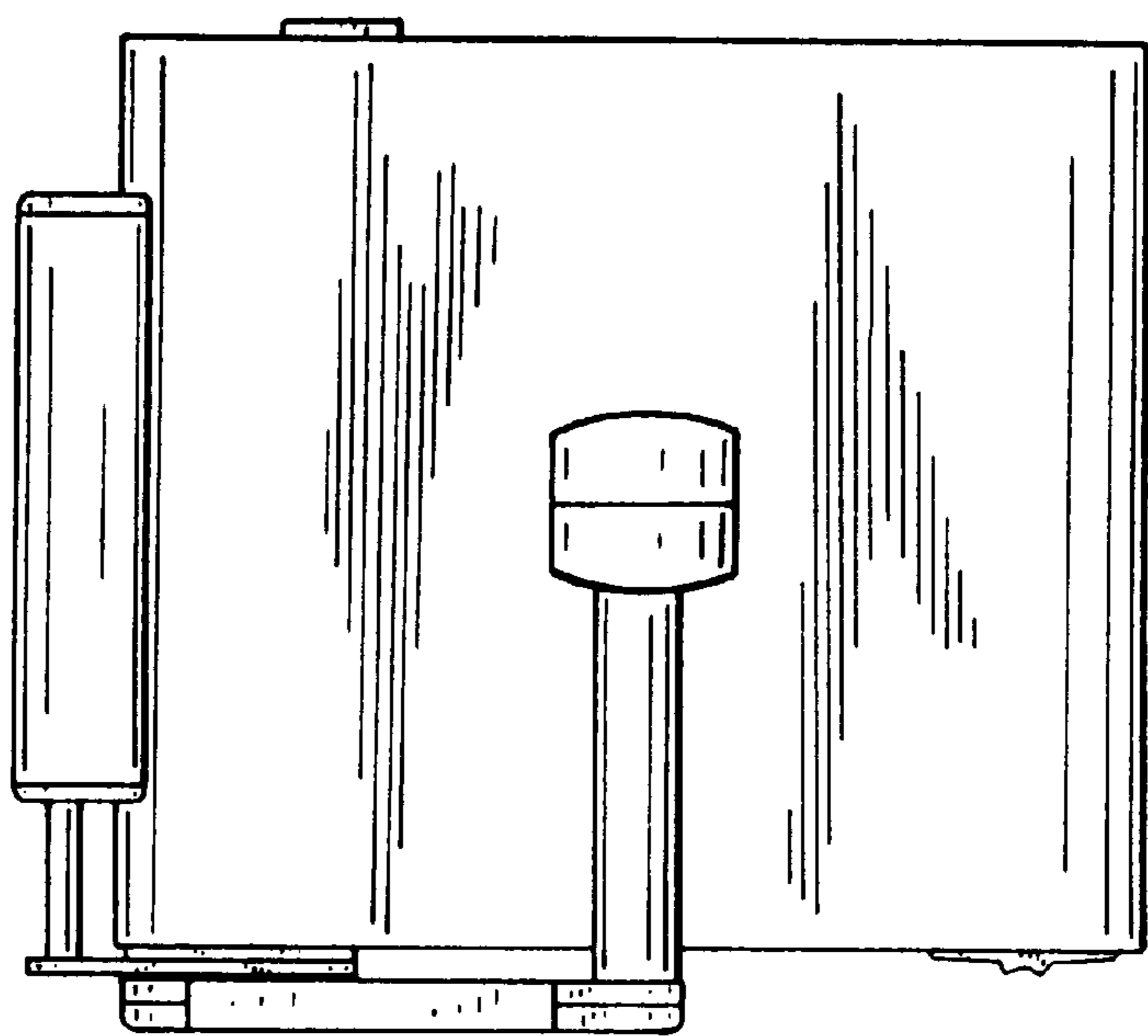


FIG. 13

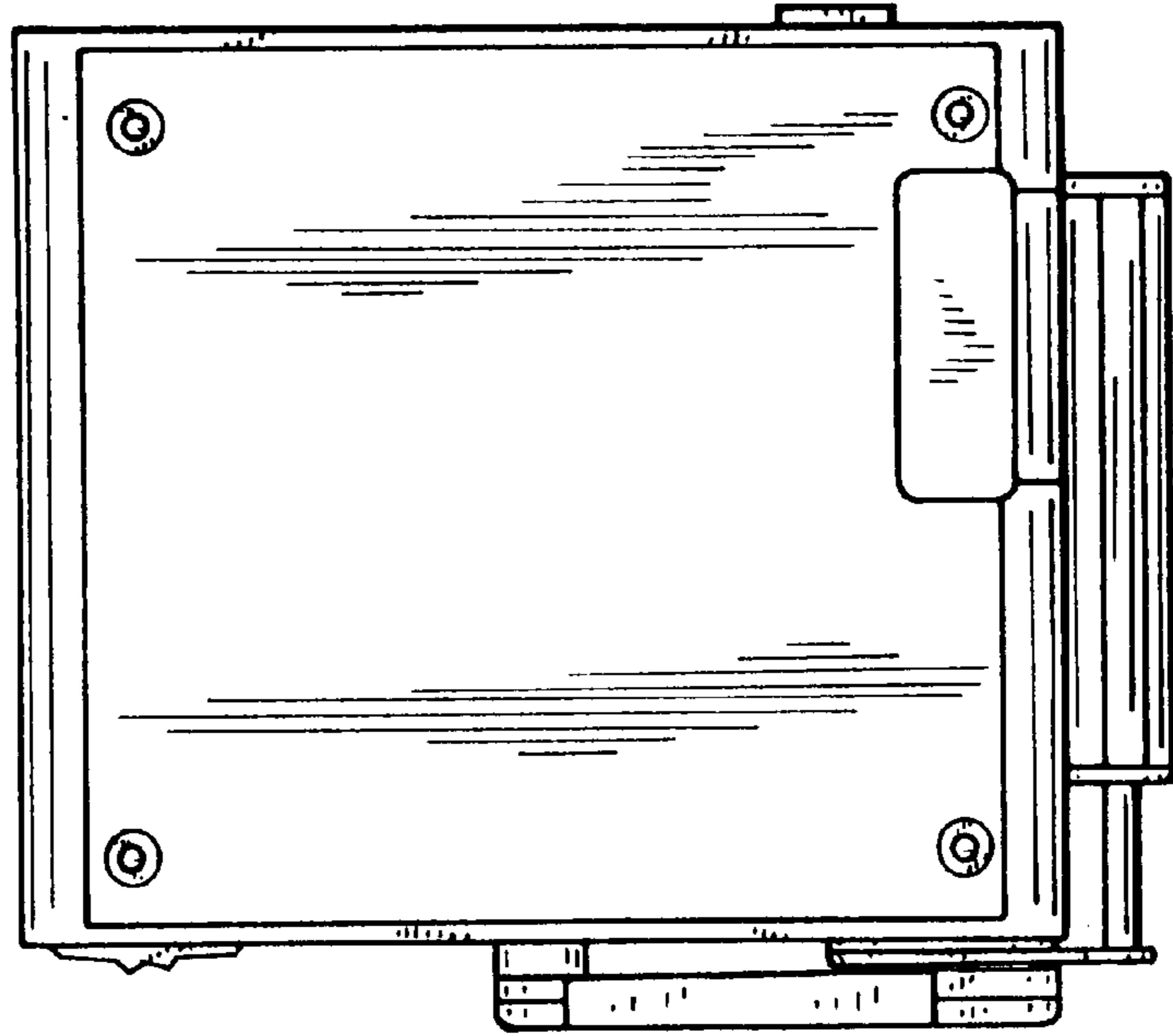


FIG. 12

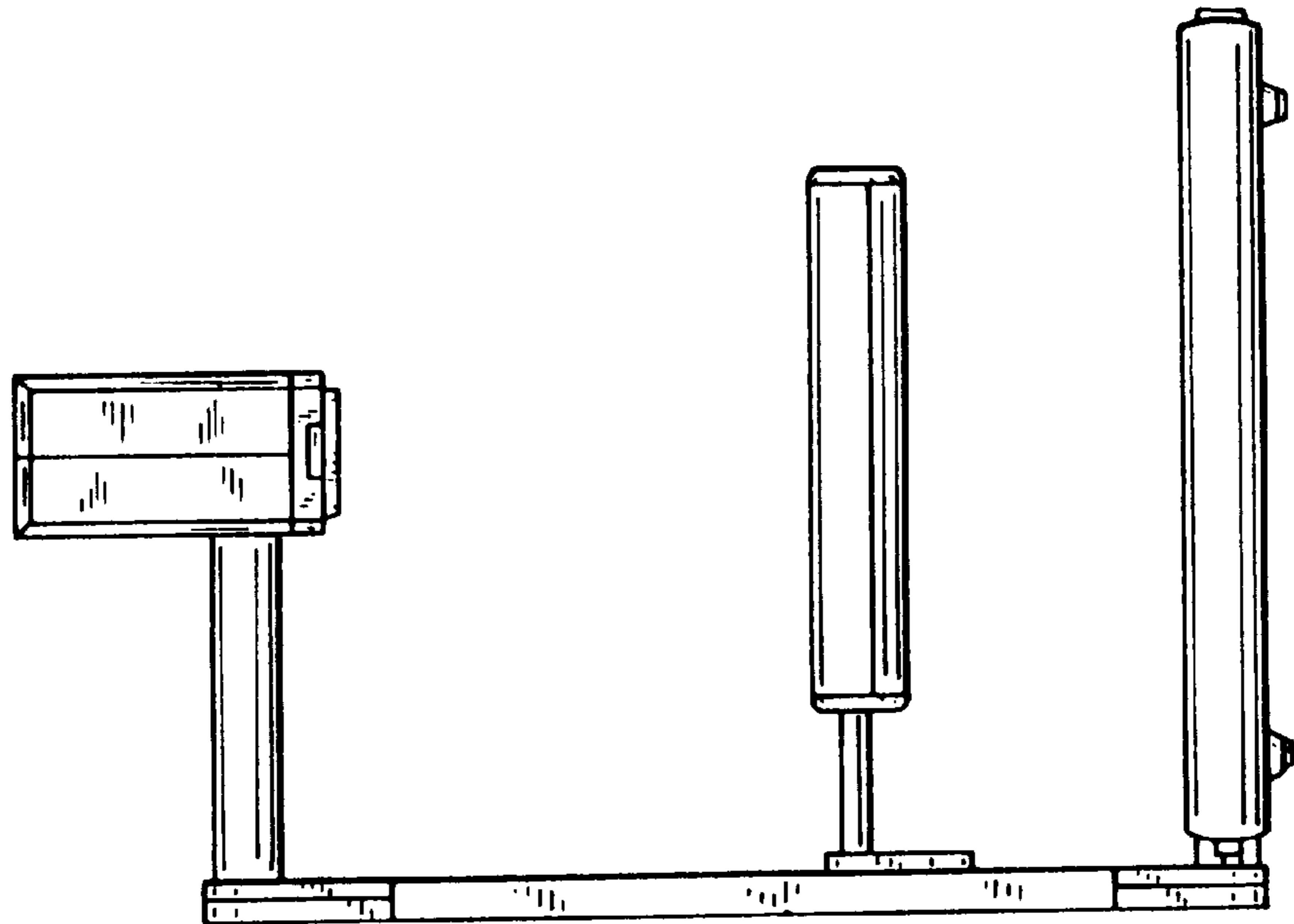


FIG. 15

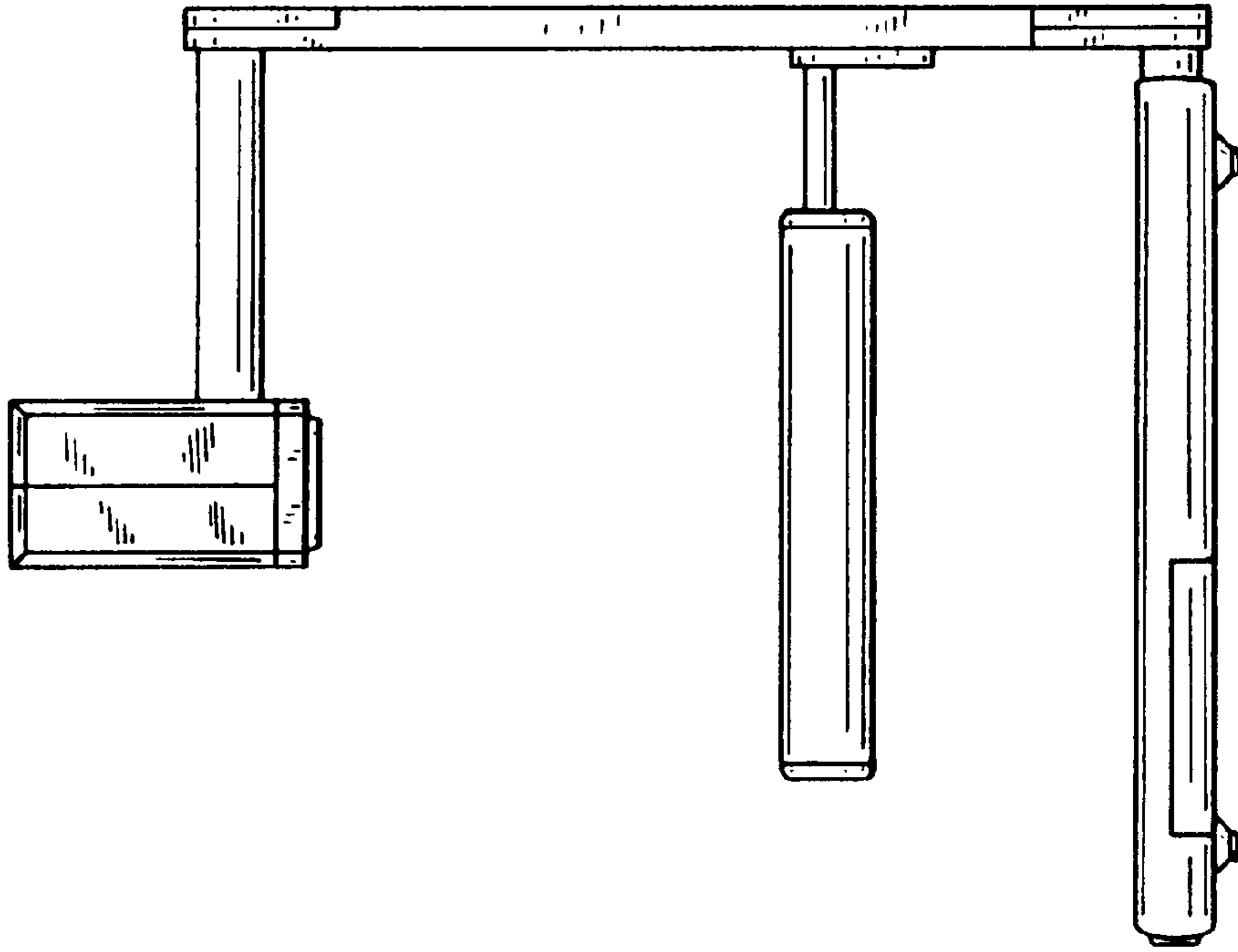


FIG. 14

