



US00D419581S

United States Patent [19]

Ishibashi et al.

[11] Patent Number: **Des. 419,581**

[45] Date of Patent: **** Jan. 25, 2000**

[54] **LIQUID CRYSTAL VIDEO PROJECTOR**

[75] Inventors: **Atsushi Ishibashi**, Kokubunji;
Shigehisa Hagura, Akishima; **Seiichi Sekiguchi**, Fujisawa; **Shinji Matsumoto**, Yokohma; **Yuichi Sugawara**, Fujisawa, all of Japan

[73] Assignee: **Hitachi, Ltd.**, Tokyo, Japan

[**] Term: **14 Years**

[21] Appl. No.: **29/103,057**

[22] Filed: **Apr. 7, 1999**

[30] **Foreign Application Priority Data**

Dec. 16, 1998 [JP] Japan 10-36041
Dec. 16, 1998 [JP] Japan 10-36042

[51] **LOC (7) Cl.** **16-02**

[52] **U.S. Cl.** **D16/231; D16/225**

[58] **Field of Search** D16/205, 208,
D16/221, 225, 230, 231, 234; D21/514;
349/5, 7, 8, 58; 352/34, 242, 243; 353/115,
119, 122

[56] **References Cited**

U.S. PATENT DOCUMENTS

D. 371,148 6/1996 Kobayashi D16/221

D. 398,321 9/1998 Iida D16/230
D. 398,622 9/1998 Saeki et al. D16/231
D. 401,261 11/1998 Yamazaki et al. D16/225
D. 410,020 5/1999 Adachi D16/231

OTHER PUBLICATIONS

Sanyo Catalog, Aug. 1997 cover page [LP-XG70(H) projector].

Primary Examiner—Adir Aronovich
Attorney, Agent, or Firm—Antonelli, Terry, Stout & Kraus, LLP

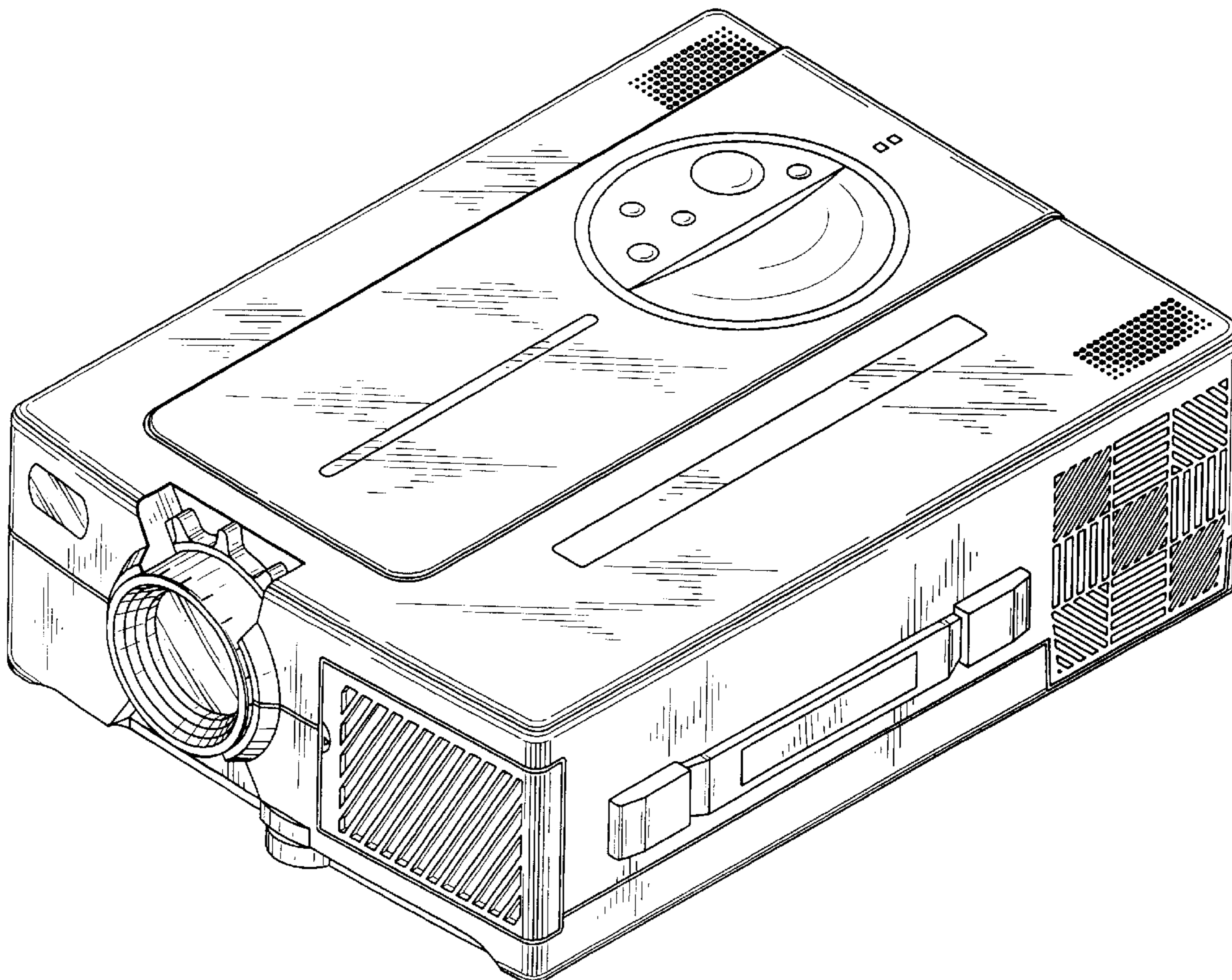
[57] **CLAIM**

The ornamental design for a liquid crystal video projector, as shown and described.

DESCRIPTION

FIG. 1 is a front, right side and top perspective view of a liquid crystal video projector showing our new design; FIG. 2 is a front elevational view thereof; FIG. 3 is a rear elevational view thereof; FIG. 4 is a top plan view thereof; FIG. 5 is a right side elevational view thereof; FIG. 6 is a left side elevational view thereof; and, FIG. 7 is a bottom plan view thereof.

1 Claim, 5 Drawing Sheets



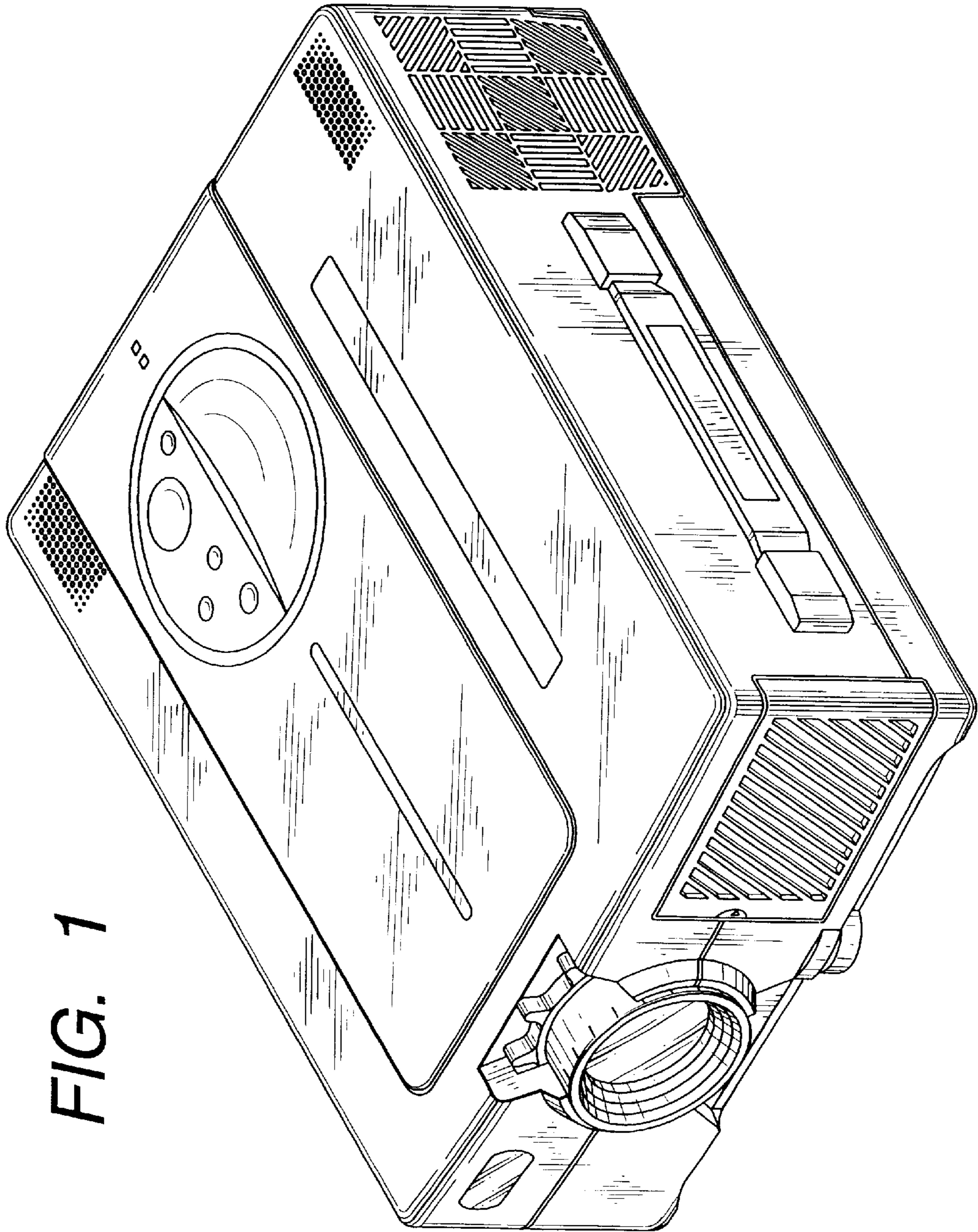


FIG. 1

FIG. 2

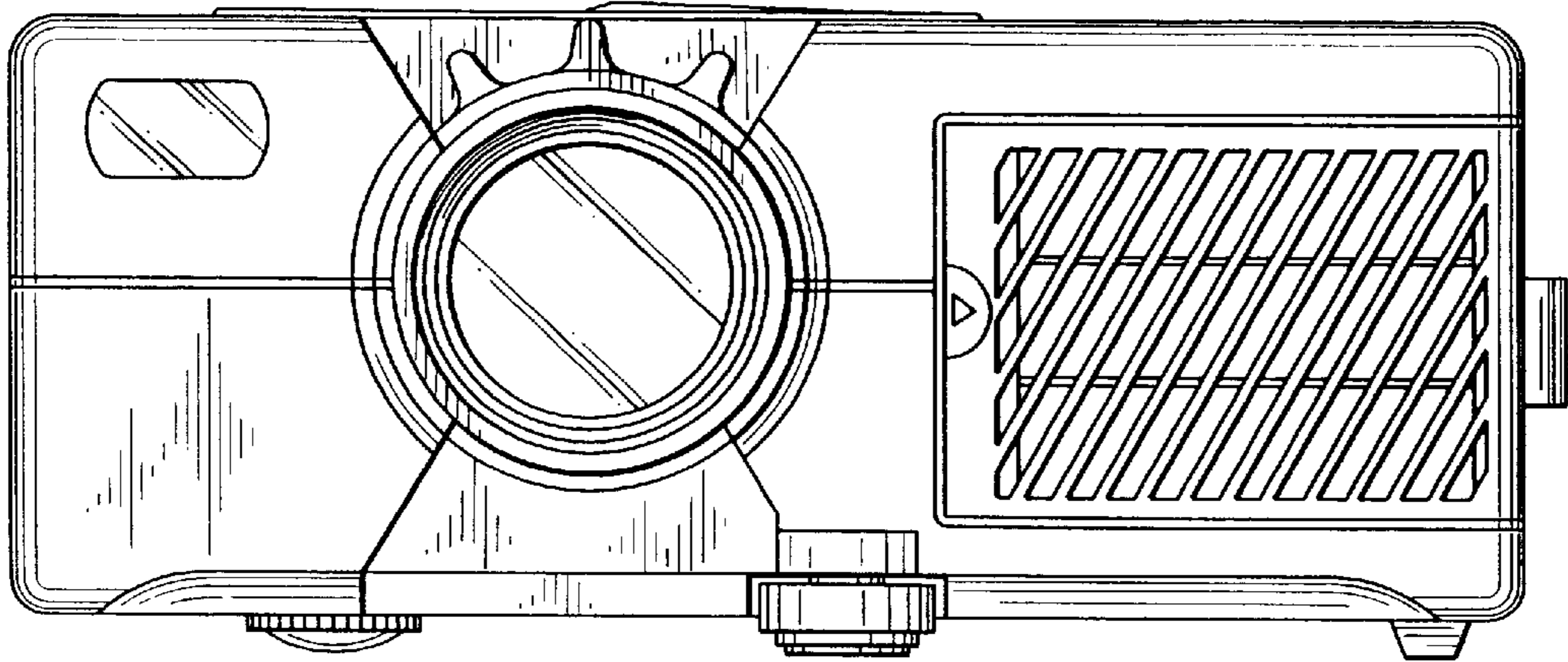


FIG. 3

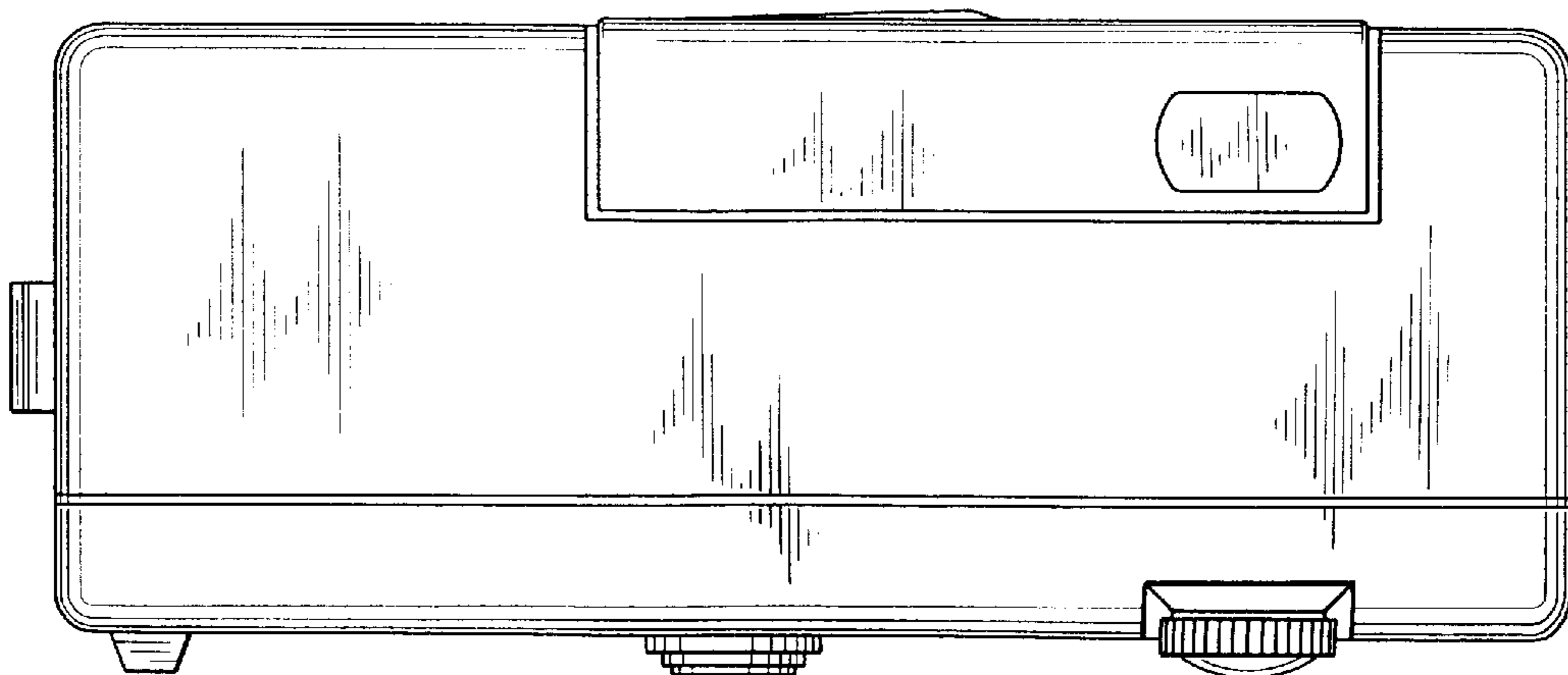


FIG. 4

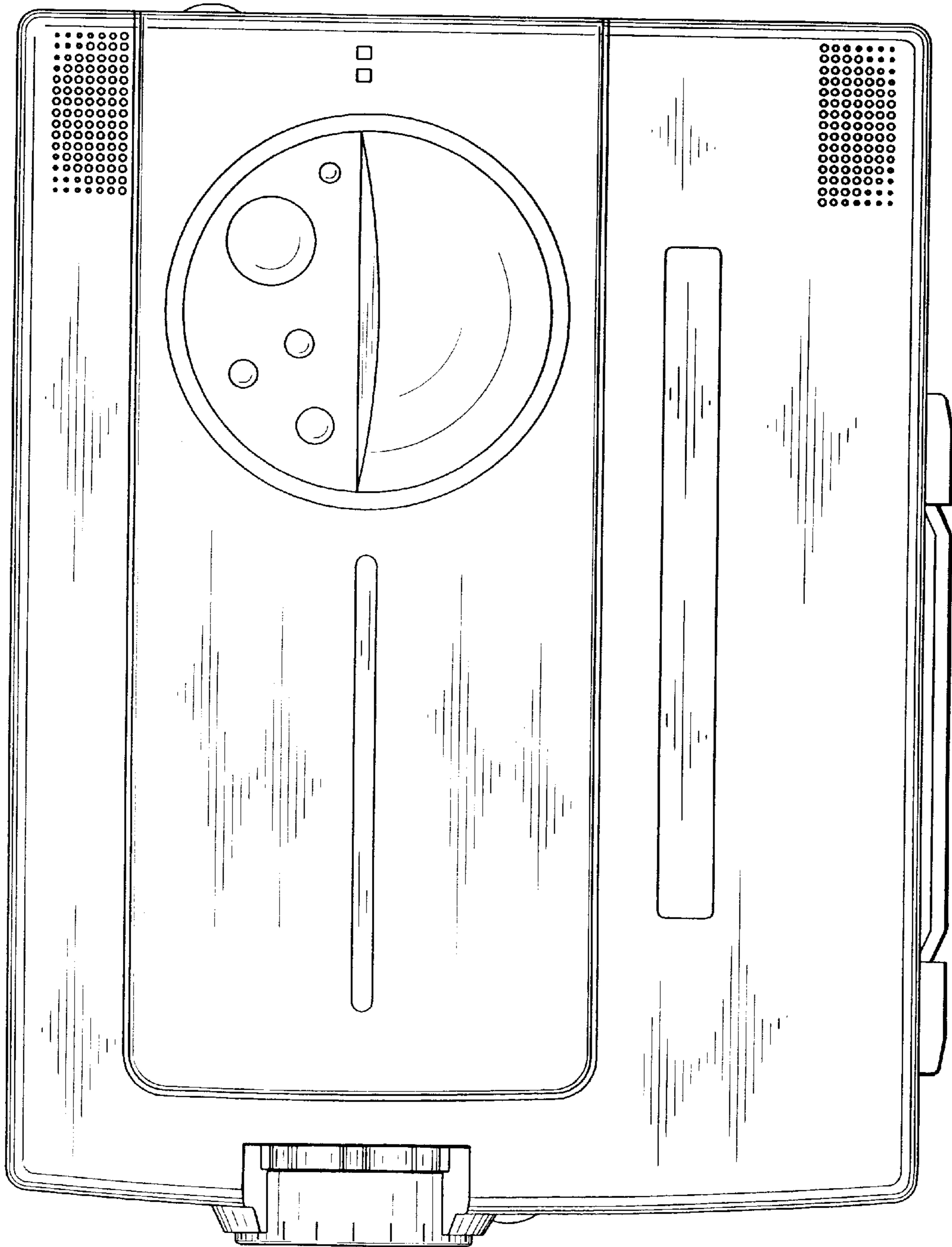


FIG. 5

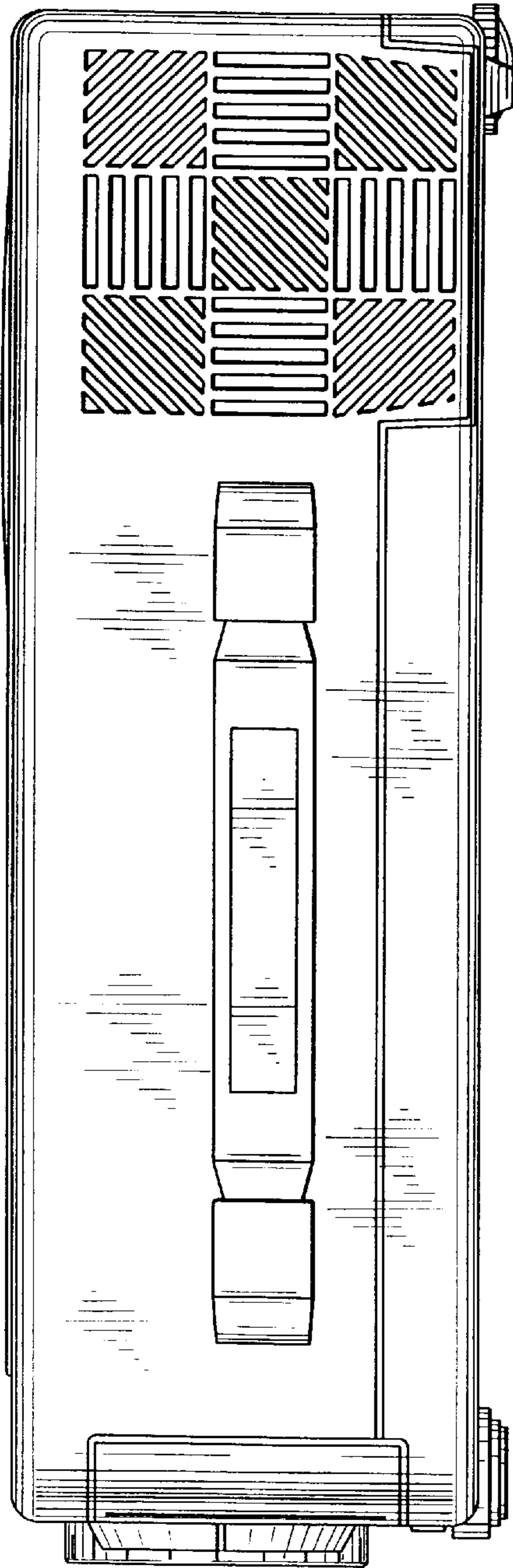


FIG. 6

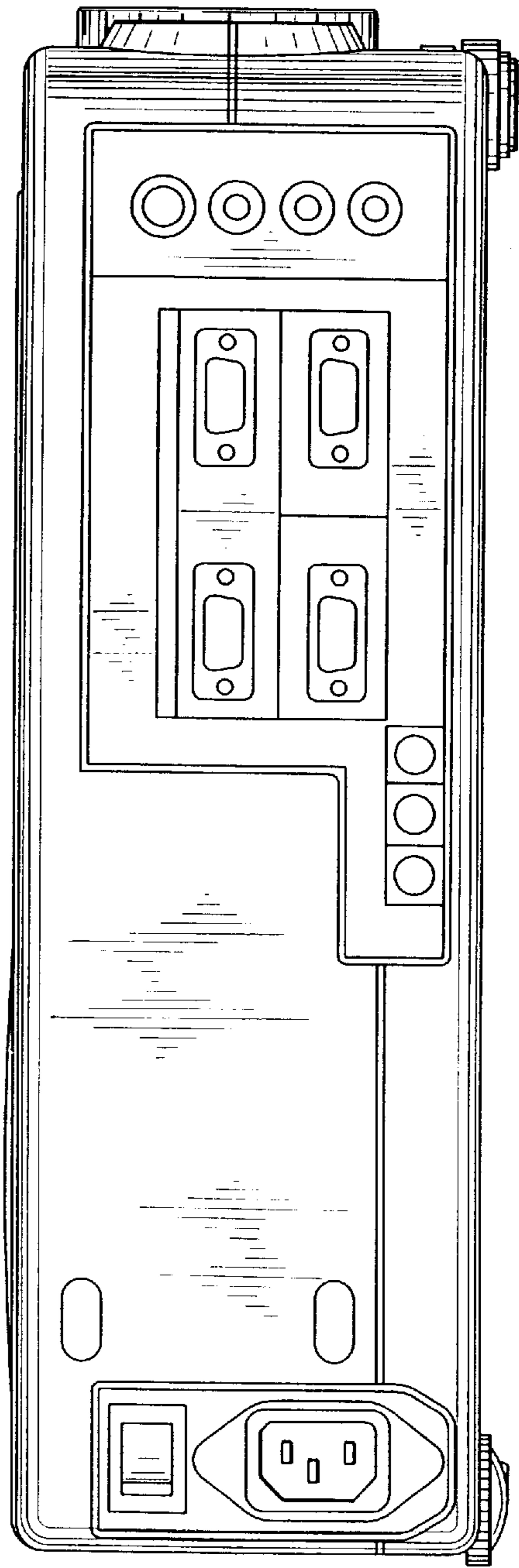


FIG. 7

