



US00D419577S

**United States Patent** [19]  
**Lannoch**

[11] **Patent Number: Des. 419,577**  
[45] **Date of Patent: \*\* Jan. 25, 2000**

[54] **GEAR**

[76] Inventor: **Hans-Jürgen Lannoch**, Hauptstr. 57,  
D-76351 Linkenheim-Hochstetten,  
Germany

[\*\*] Term: **14 Years**

[21] Appl. No.: **29/100,761**

[22] Filed: **Feb. 17, 1999**

**Related U.S. Application Data**

[62] Division of application No. 29/074,989, Aug. 18, 1997, Pat.  
No. Des. 410,659.

[30] **Foreign Application Priority Data**

Feb. 21, 1997 [CH] Switzerland ..... DM/039261

[51] **LOC (7) Cl.** ..... **15-09**

[52] **U.S. Cl.** ..... **D15/148**

[58] **Field of Search** ..... D15/5, 148; 74/489,  
74/606 R, 606 A, 607; 474/82, 144, 146;  
476/42

[56] **References Cited**

**U.S. PATENT DOCUMENTS**

D. 356,094 3/1995 Curtis ..... D15/5  
D. 368,919 4/1996 Lannoch ..... D15/148  
D. 375,509 11/1996 Shaw ..... D15/5

*Primary Examiner*—Antoine Duval Davis  
*Attorney, Agent, or Firm*—Antonelli, Terry, Stout & Kraus,  
LLP

[57] **CLAIM**

The ornamental design for a gear, as shown and described.

**DESCRIPTION**

FIG. 1 is a front perspective view of a gear showing my new design;

FIG. 2 is a front elevational view;

FIG. 3 is a rear elevational view;

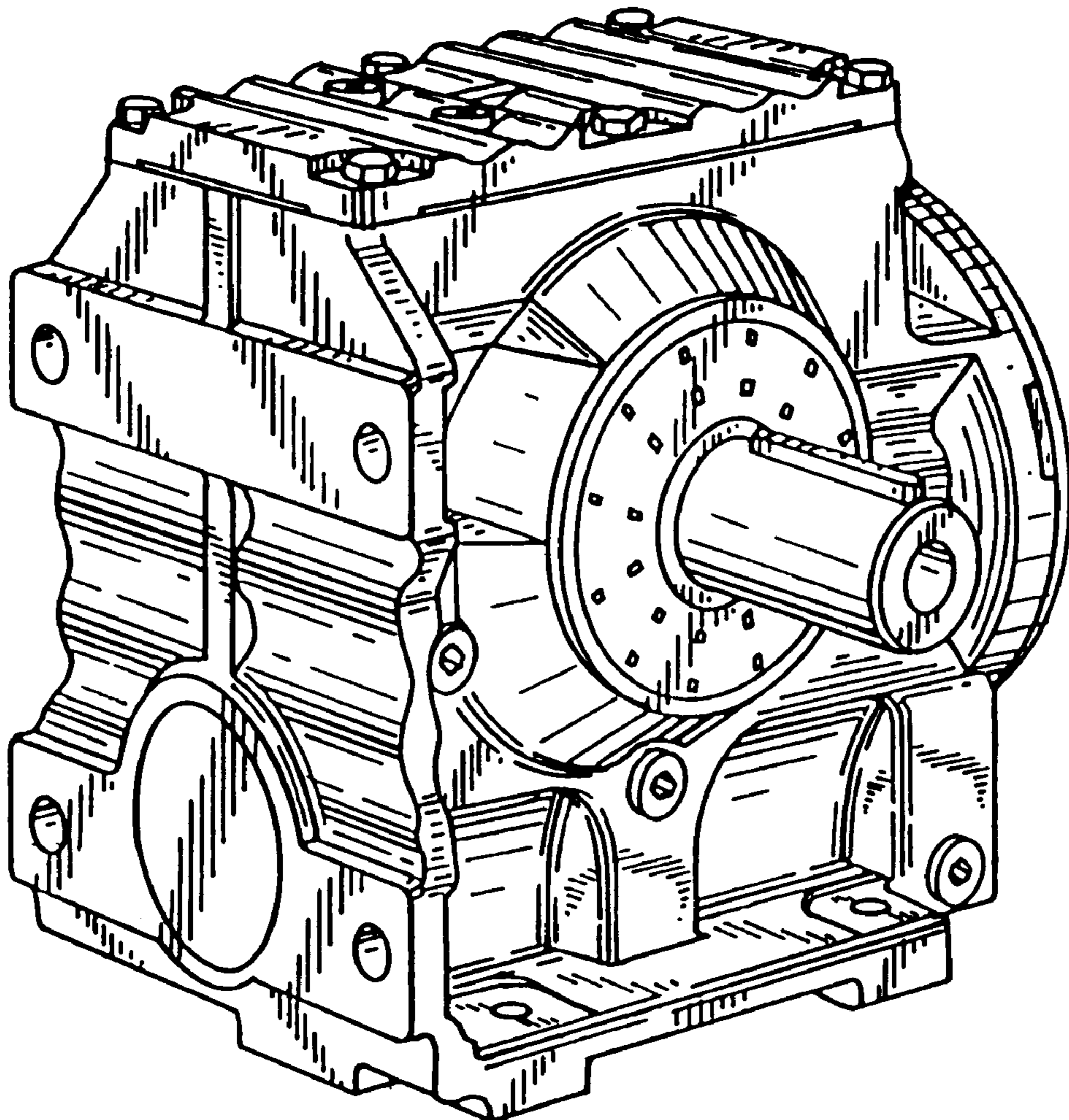
FIG. 4 is a right side elevational view;

FIG. 5 is a left side elevational view.

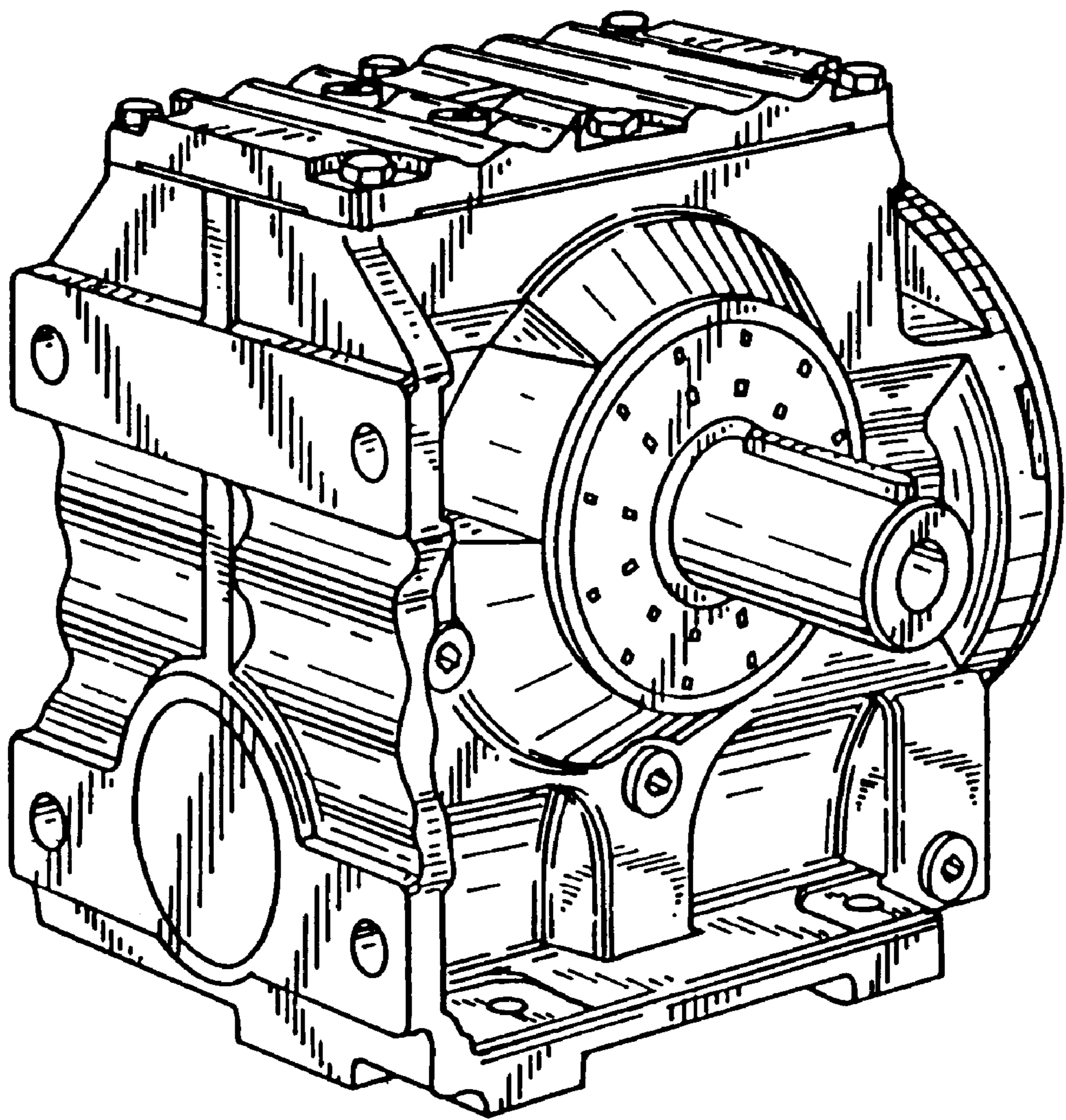
FIG. 6 is a top plan view; and,

FIG. 7 is a bottom plan view.

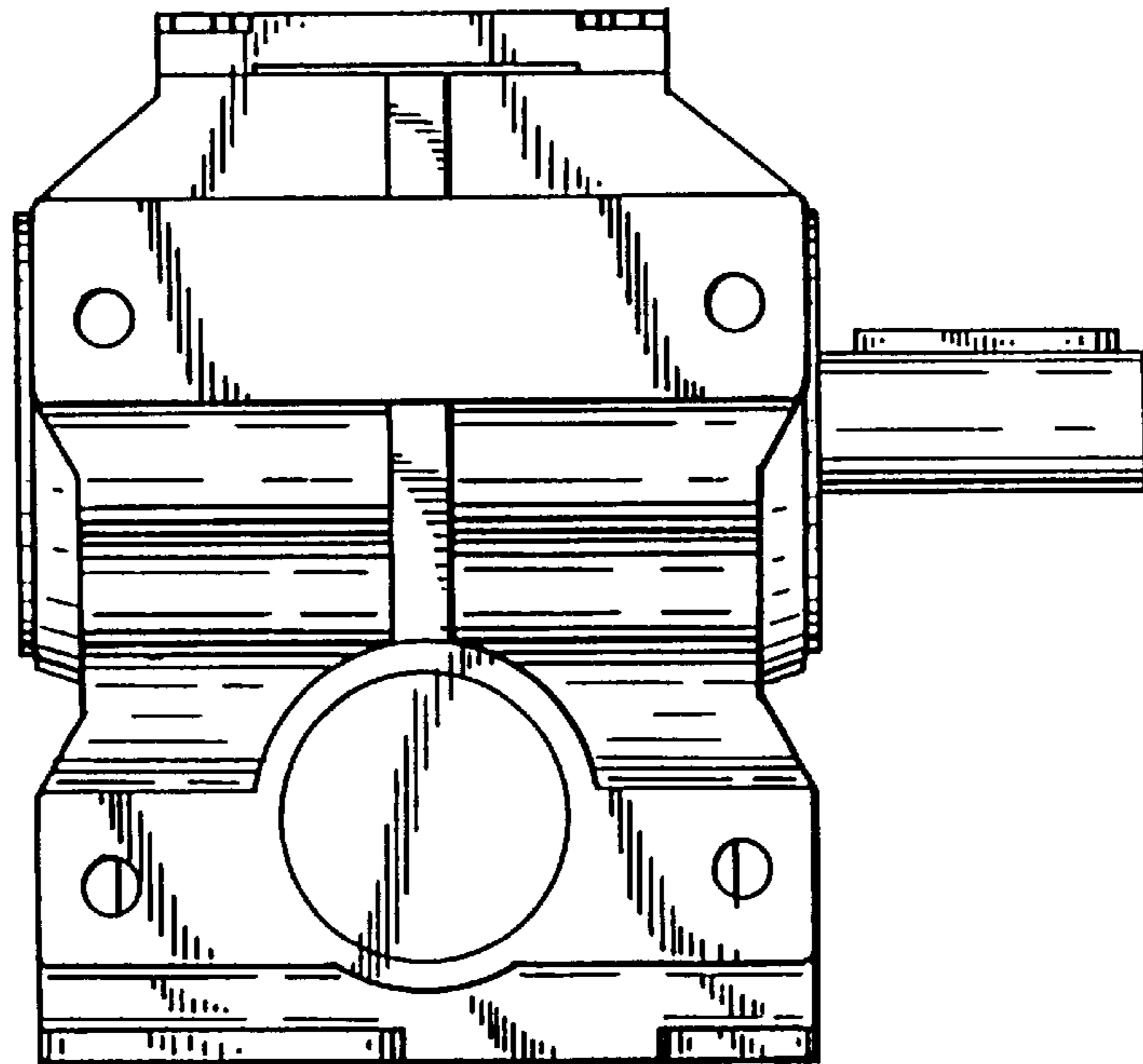
**1 Claim, 4 Drawing Sheets**



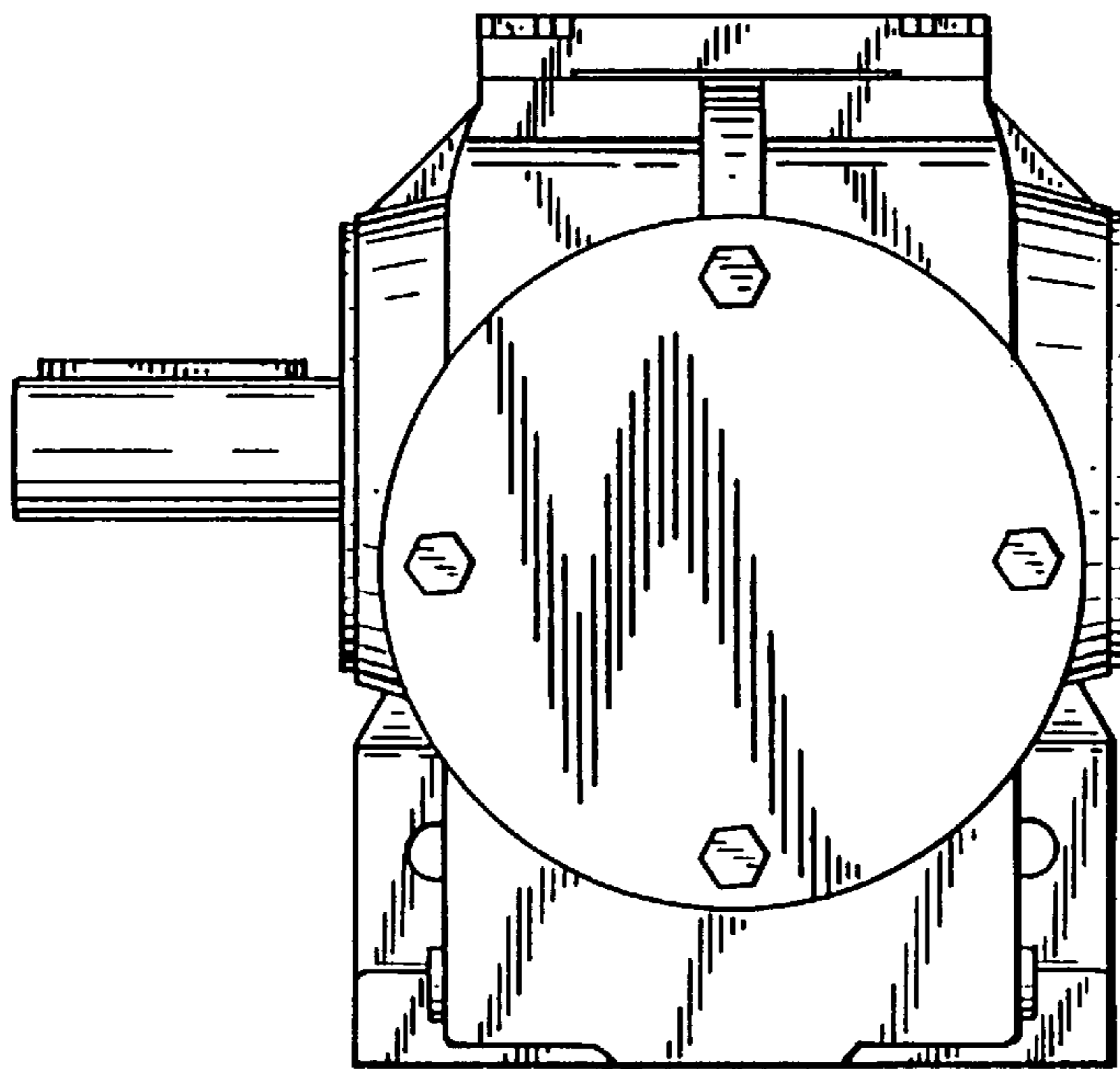
**FIG. 1**



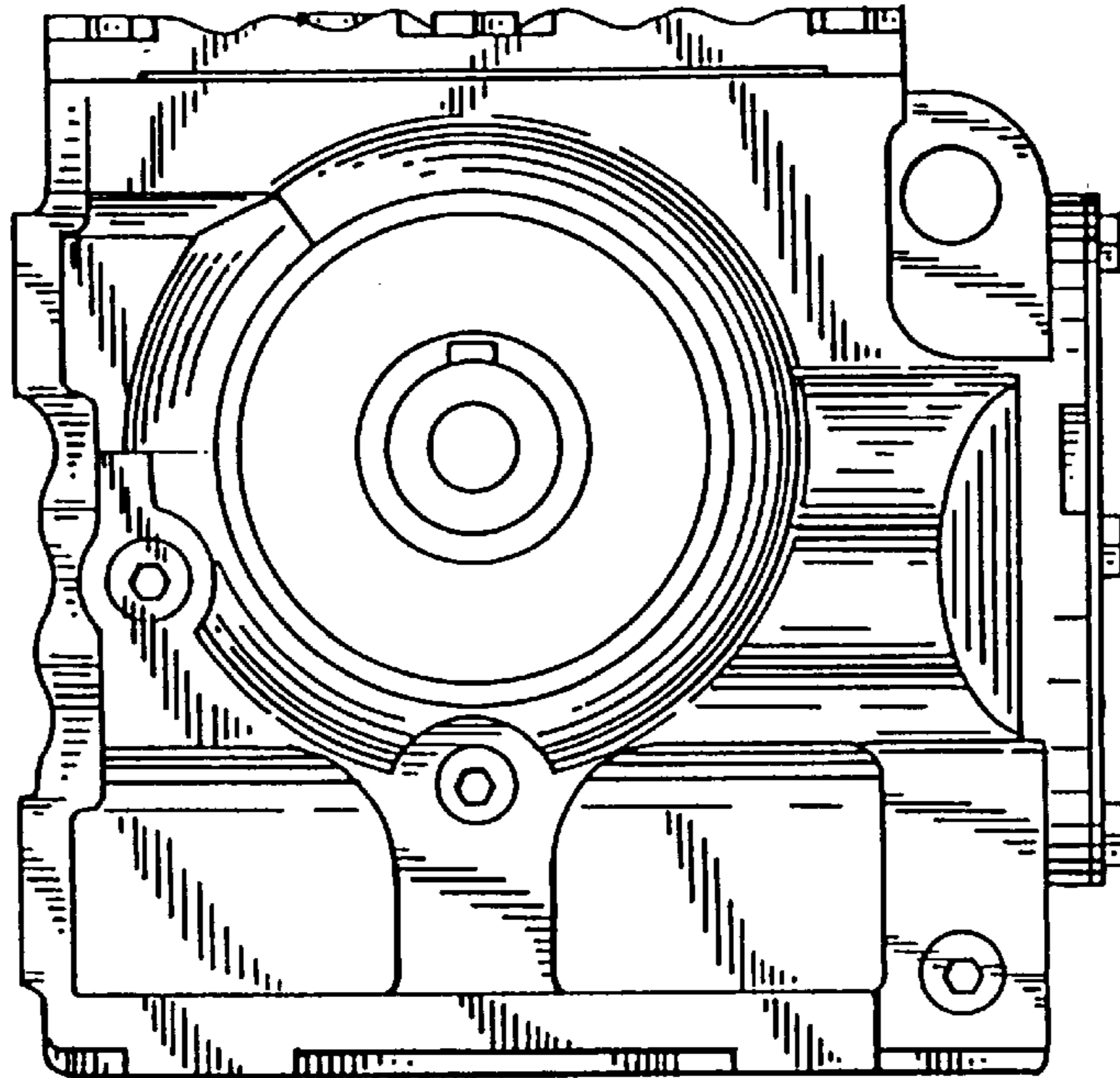
**FIG. 2**



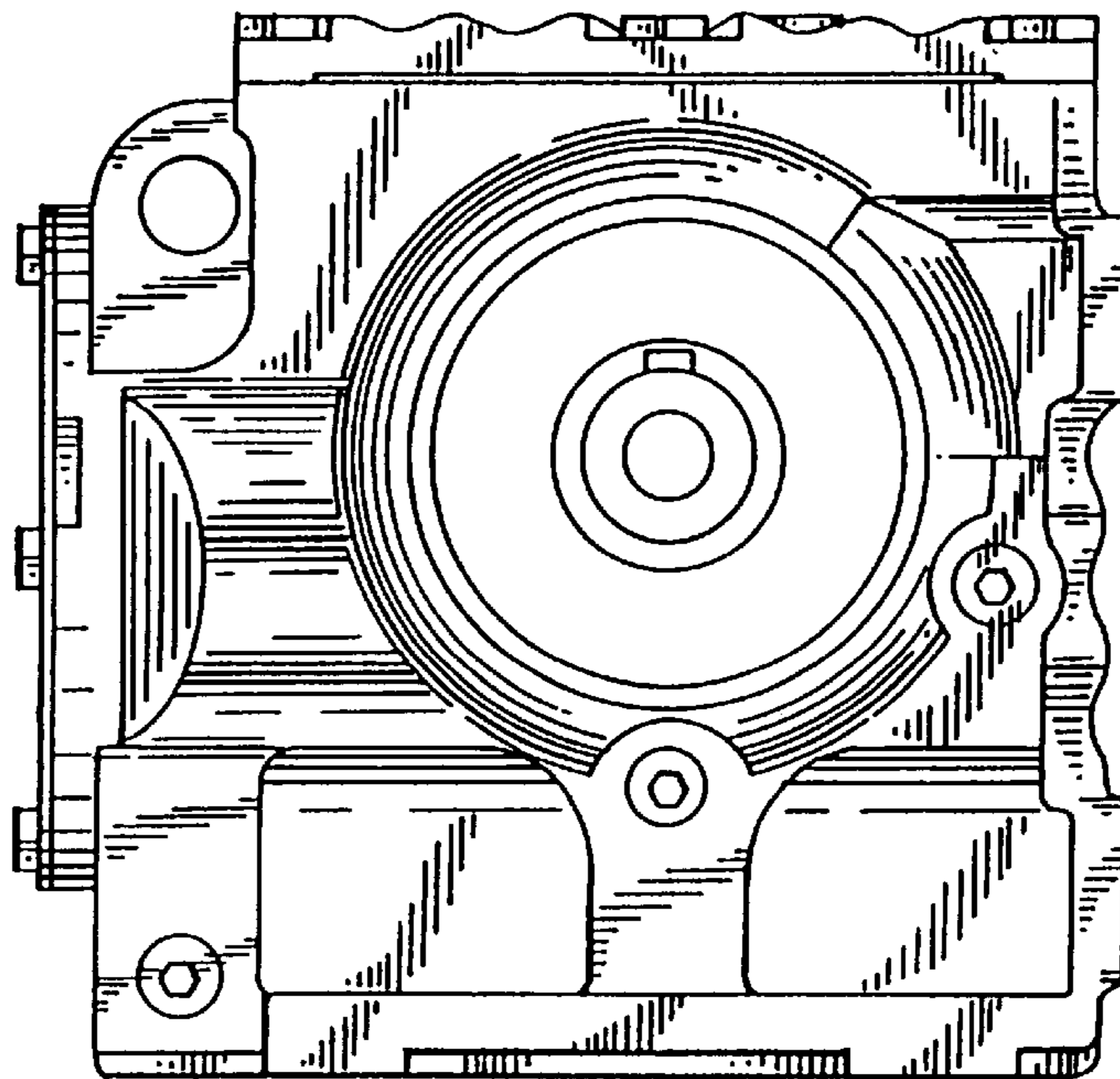
**FIG. 3**



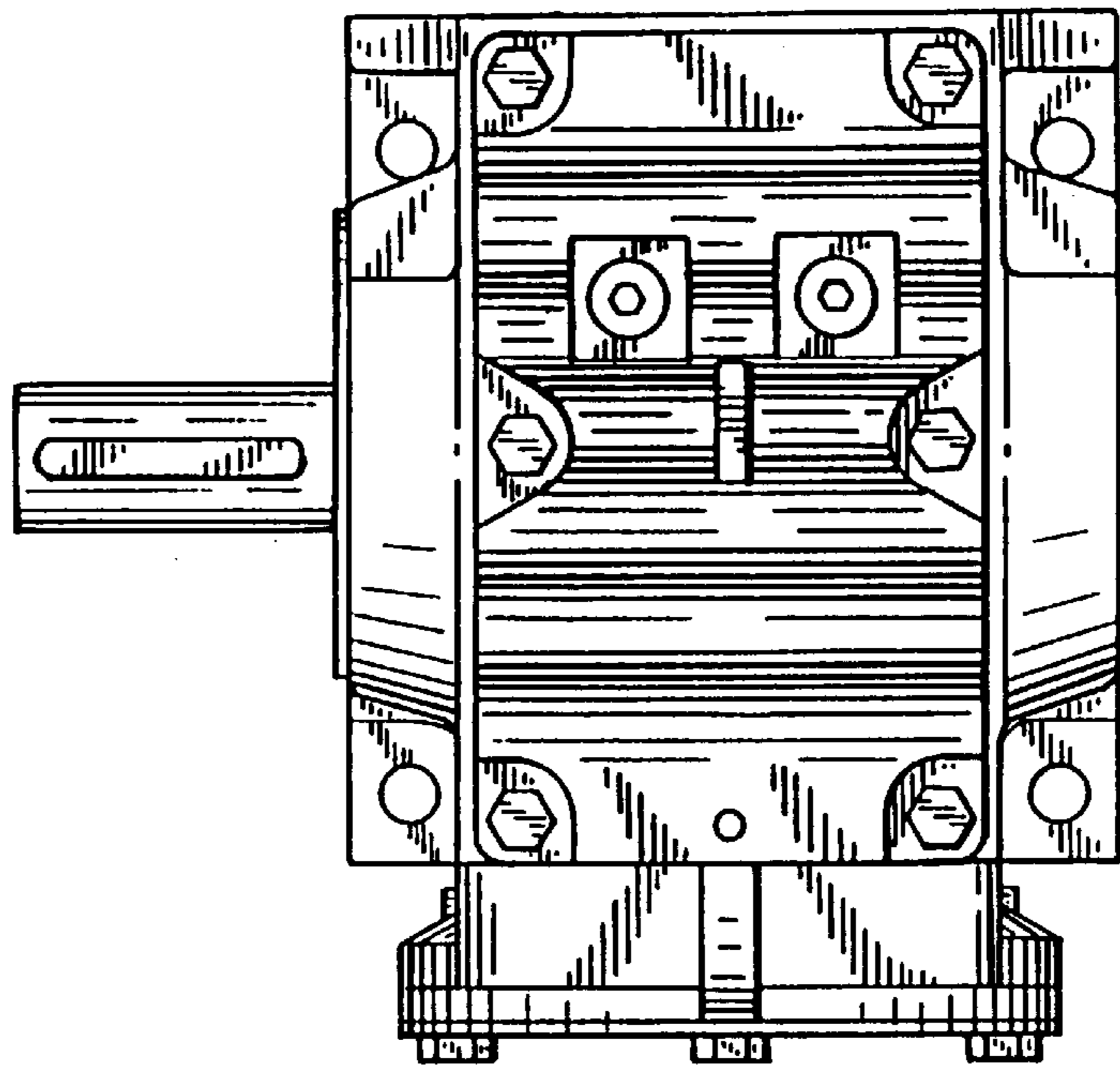
**FIG. 4**



**FIG. 5**



**FIG. 6**



**FIG. 7**

