



US00D419575S

# United States Patent [19] Kouvelis

[11] **Patent Number: Des. 419,575**  
[45] **Date of Patent: \*\* Jan. 25, 2000**

[54] **DRILL BIT**

[75] Inventor: **Thomas Kouvelis**, Antioch, Ill.

[73] Assignee: **Kouvato, Inc.**, LaGrange Park, Ill.

[\*\*] Term: **14 Years**

[21] Appl. No.: **29/098,881**

[22] Filed: **Jan. 7, 1999**

[51] **LOC (7) Cl.** ..... **15-09**

[52] **U.S. Cl.** ..... **D15/139**

[58] **Field of Search** ..... D15/139; D8/70;  
175/80, 132, 426; 408/240, 199-234

[56] **References Cited**

**U.S. PATENT DOCUMENTS**

D. 257,511	11/1980	Zahn	.....	D15/139
D. 347,848	6/1994	Maynard, Jr.	.....	D15/139
D. 390,239	2/1998	Malin	.....	D15/139
D. 408,424	4/1999	Schmotzer	.....	D15/139
4,210,215	7/1980	Peetz et al.	.....	175/394
4,789,276	12/1988	Clarke	.....	408/230
5,387,059	2/1995	Borzemsky	.....	408/226
5,466,100	11/1995	Ahluwalia	.....	408/224
5,782,636	7/1998	Armstrong et al.	.....	408/225 X
5,797,711	8/1998	Mulgrave et al.	.....	408/226
5,842,267	12/1998	Biederman et al.	.....	408/224 X

*Primary Examiner*—Antoine Duval Davis  
*Attorney, Agent, or Firm*—Greer, Burns & Crain, Ltd.

[57] **CLAIM**

The ornamental design for a drill bit, as shown and described.

**DESCRIPTION**

FIG. 1 is a perspective view of a first embodiment of the present new design of a drill bit;  
FIG. 2 is a right side elevational view of the first embodiment, the left side being identical;  
FIG. 3 is a top plan view thereof, the bottom view being identical;  
FIG. 4 is a left end view thereof;  
FIG. 5 is a right end view thereof;  
FIG. 6 is a perspective view of a second embodiment of the present new design of a drill bit;  
FIG. 7 is a right side elevational view of the second embodiment, the left side view being identical;  
FIG. 8 is a top plan view thereof, the bottom view being identical;  
FIG. 9 is a left end view thereof; and,  
FIG. 10 is a right end view thereof.  
The broken lines in FIGS. 6-10 showing the flute portion of the drill bit form no part of the claimed design for the second embodiment.

**1 Claim, 2 Drawing Sheets**

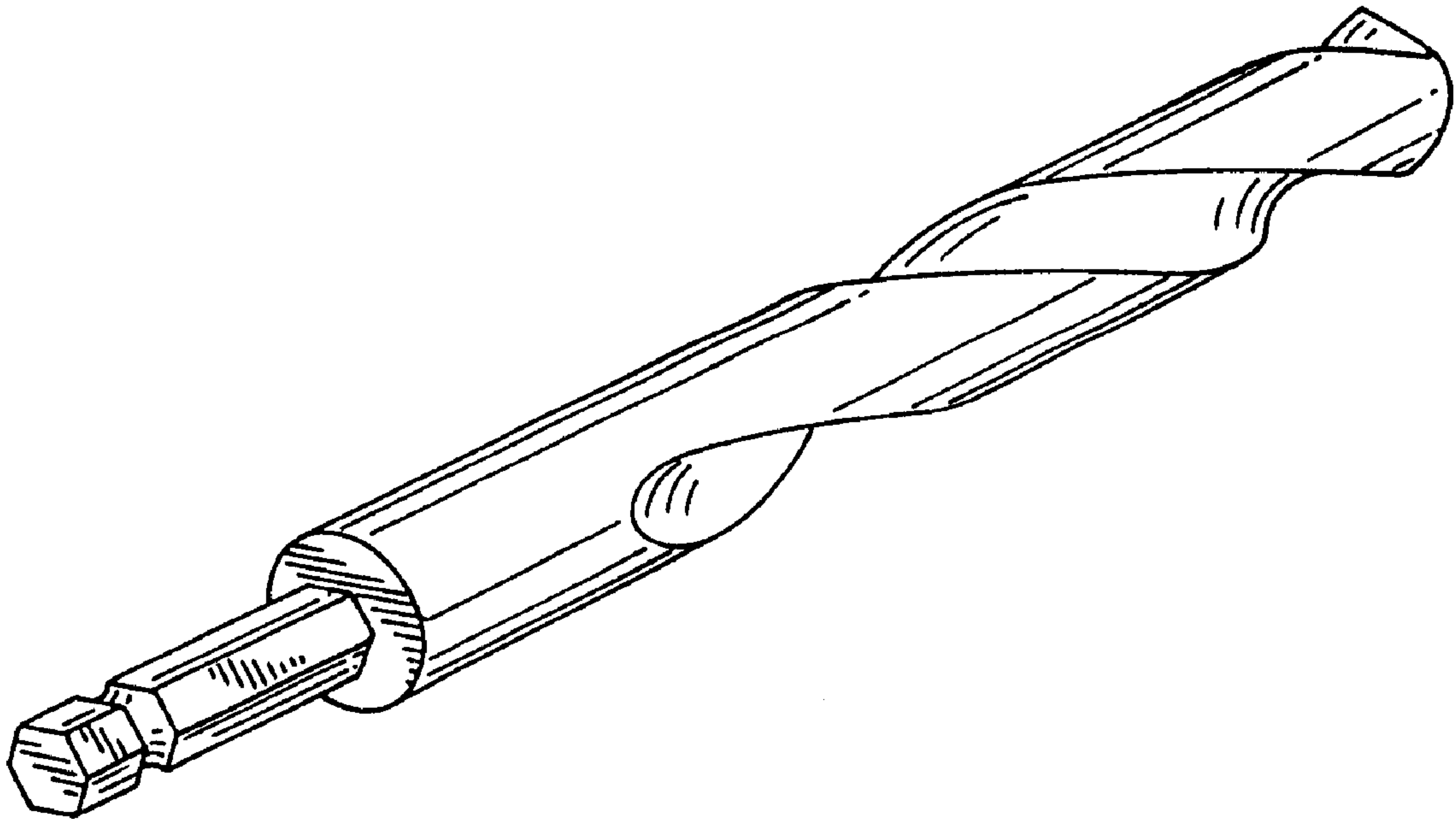


FIG. 1

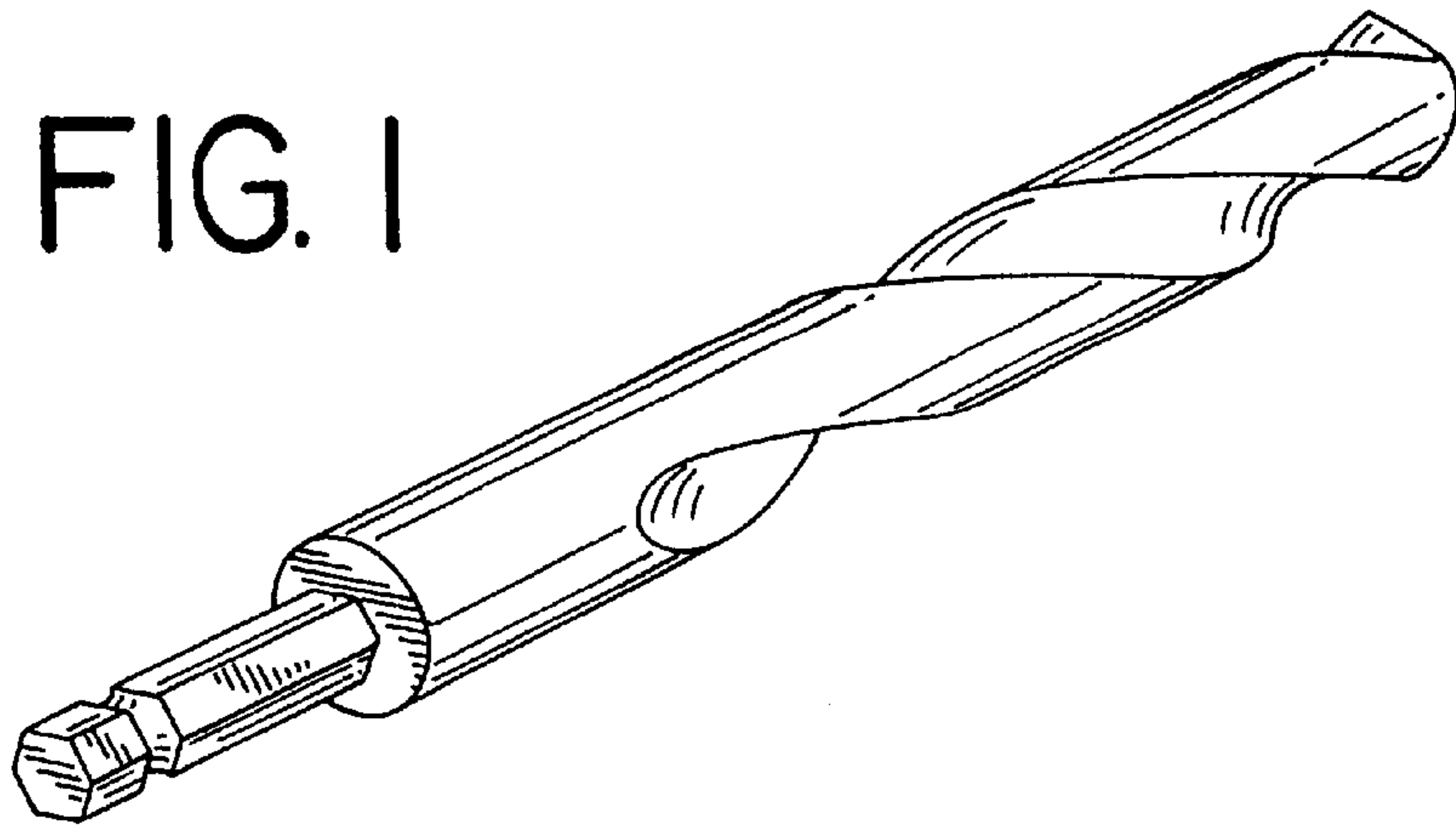


FIG. 2

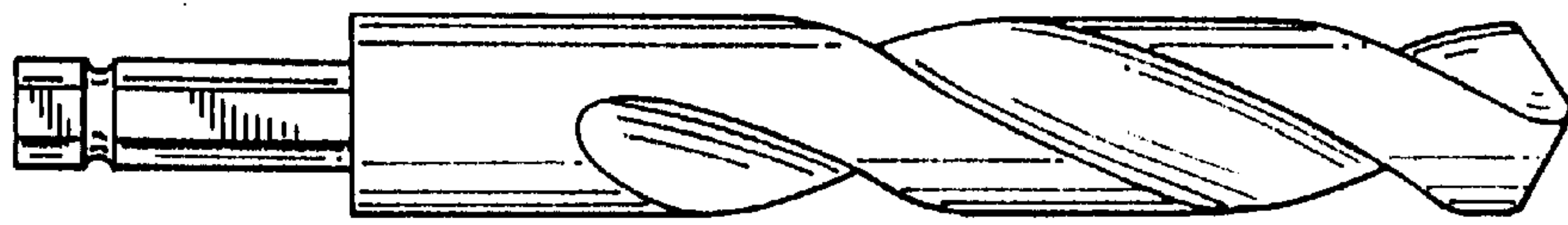


FIG. 3

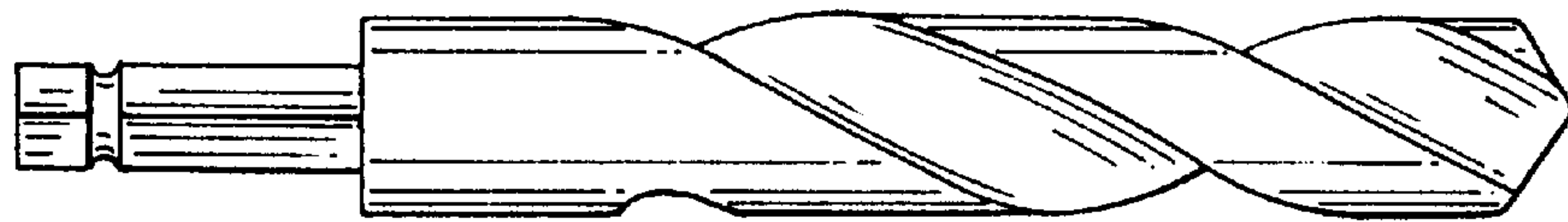


FIG. 4



FIG. 5

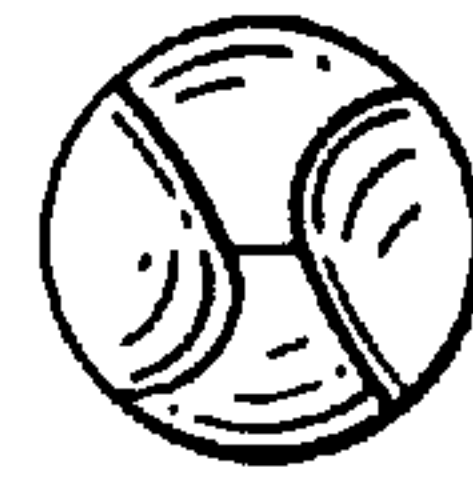


FIG. 6

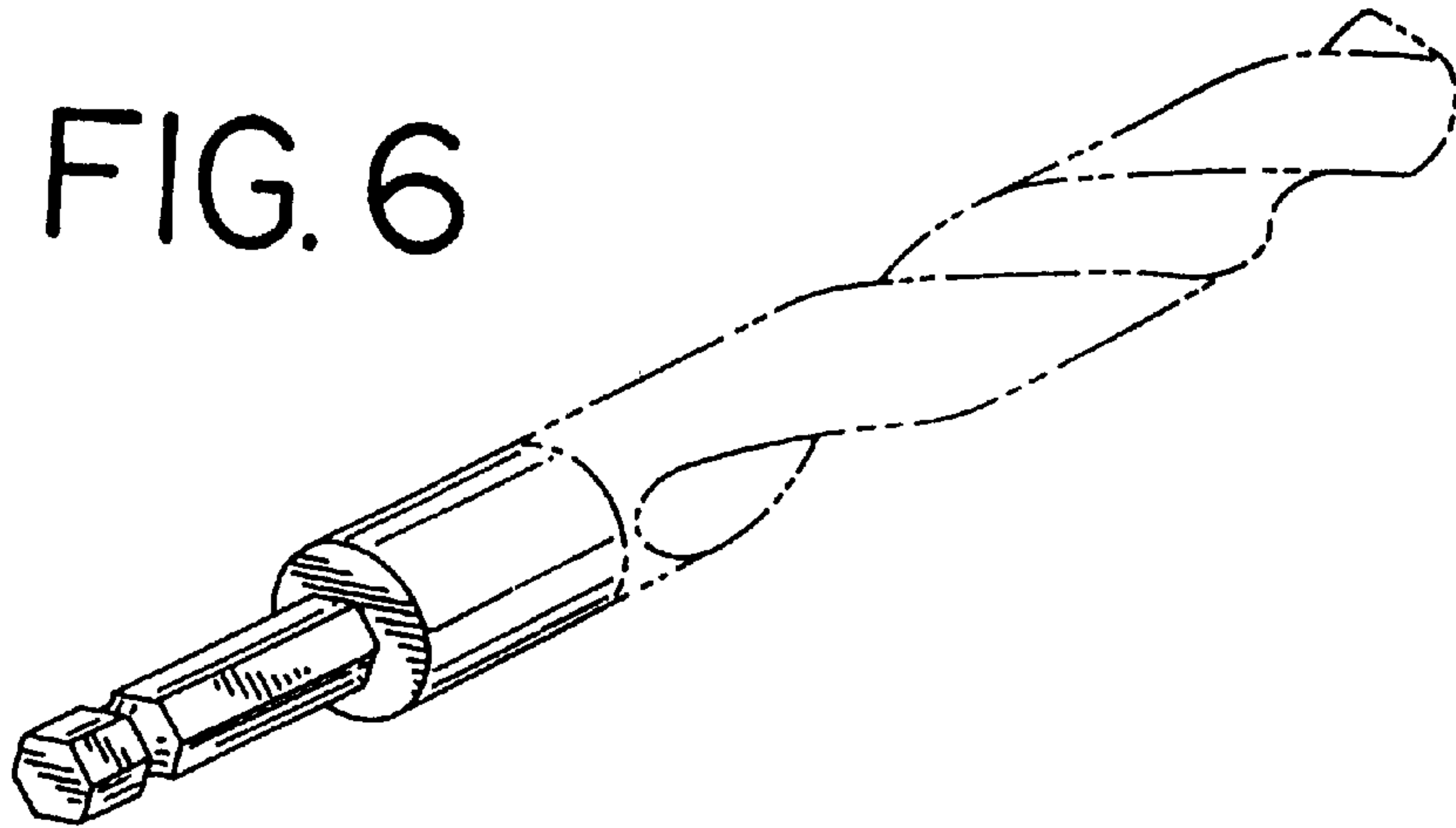


FIG. 7



FIG. 8

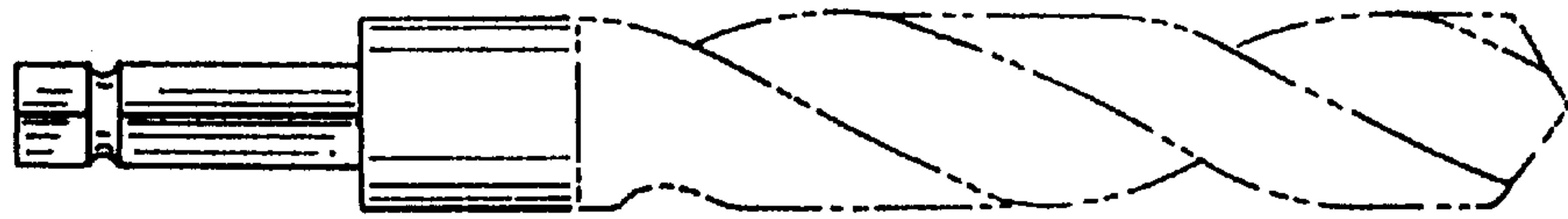


FIG. 9



FIG. 10

