



US00D419571S

United States Patent [19]

Kao

[11] **Patent Number: Des. 419,571**

[45] **Date of Patent: ** Jan. 25, 2000**

[54] **SEWING MACHINE**

[76] Inventor: **Ting-Yen Kao**, No. 40, 22nd Rd.,
Taichung Industrial Park, Taichung,
Taiwan

[**] Term: **14 Years**

[21] Appl. No.: **29/097,369**

[22] Filed: **Dec. 4, 1998**

[51] **LOC (7) Cl. 15-06**

[52] **U.S. Cl. D15/70**

[58] **Field of Search D15/66-70; 112/217.1-217.4,
112/256-261**

[56] **References Cited**

U.S. PATENT DOCUMENTS

- D. 359,965 7/1995 Nakajima et al. D15/69
- D. 366,490 1/1996 Wu D15/69
- D. 375,751 11/1996 Chan D15/69
- D. 383,764 9/1997 Ueyama D15/70

- D. 390,852 2/1998 McLinden D15/69
- D. 392,652 3/1998 Takada et al. D15/70
- D. 403,333 12/1998 Takada et al. D15/70

Primary Examiner—B. J. Bullock
Attorney, Agent, or Firm—Watson Cole Grindle Watson,
P.L.L.C.

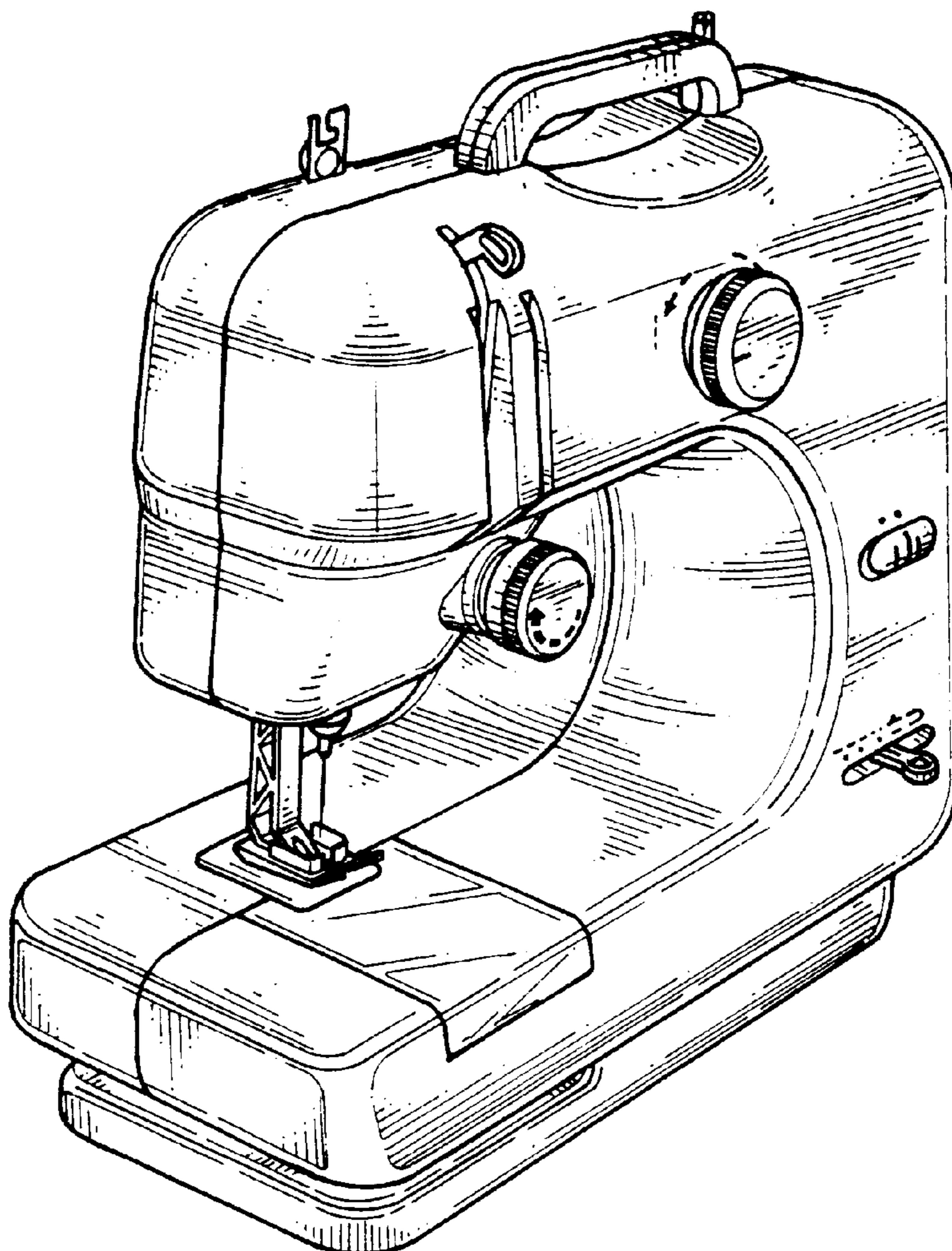
[57] **CLAIM**

The ornamental design for a sewing machine, as shown and described.

DESCRIPTION

FIG. 1 is a front-left-top perspective view of a sewing machine, showing my new design;
FIG. 2 is a front elevational view thereof;
FIG. 3 is a rear elevational view thereof;
FIG. 4 is a left side view thereof;
FIG. 5 is a right side view thereof;
FIG. 6 is a top plan view thereof; and,
FIG. 7 is a bottom plan view thereof.

1 Claim, 4 Drawing Sheets



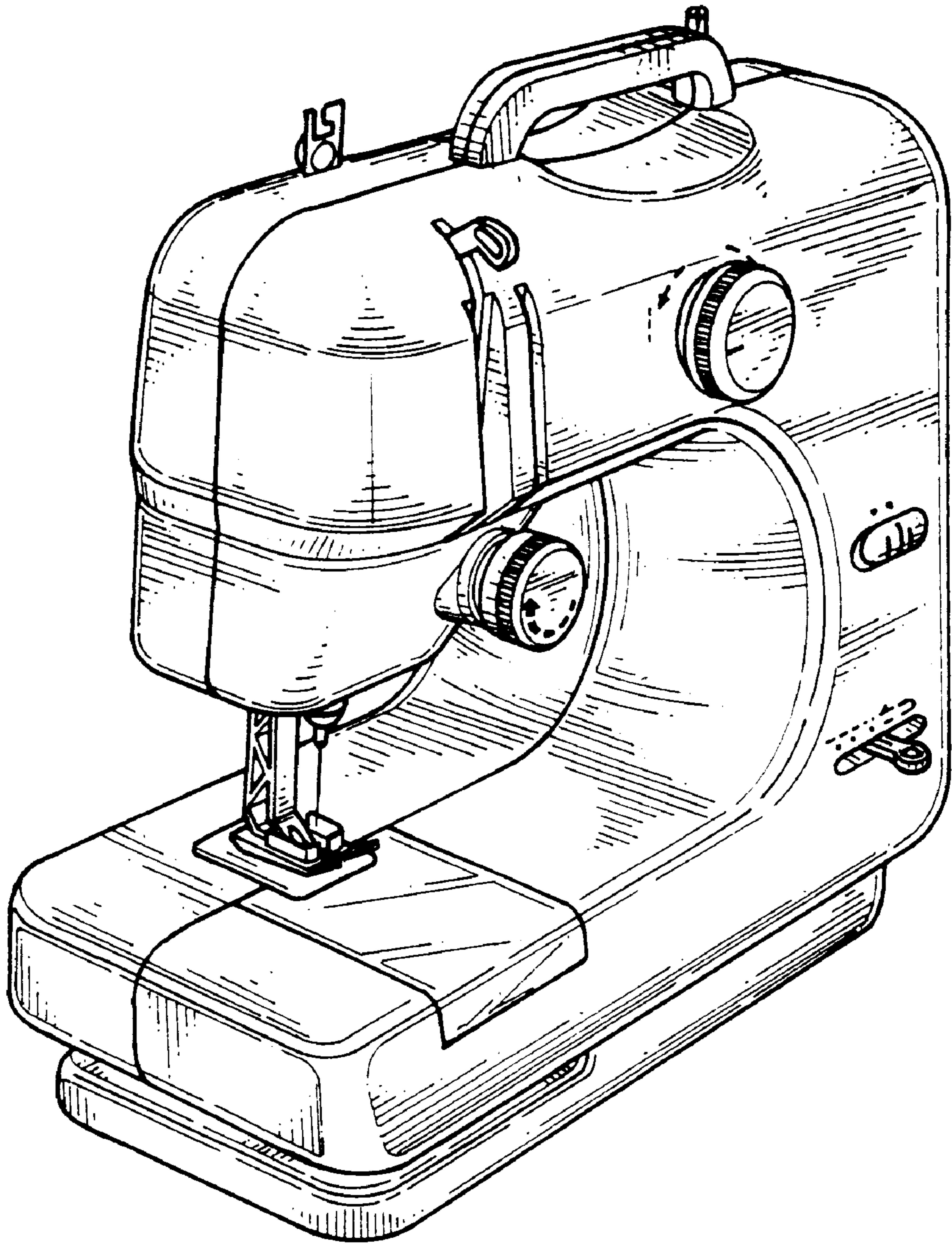


FIG. 1

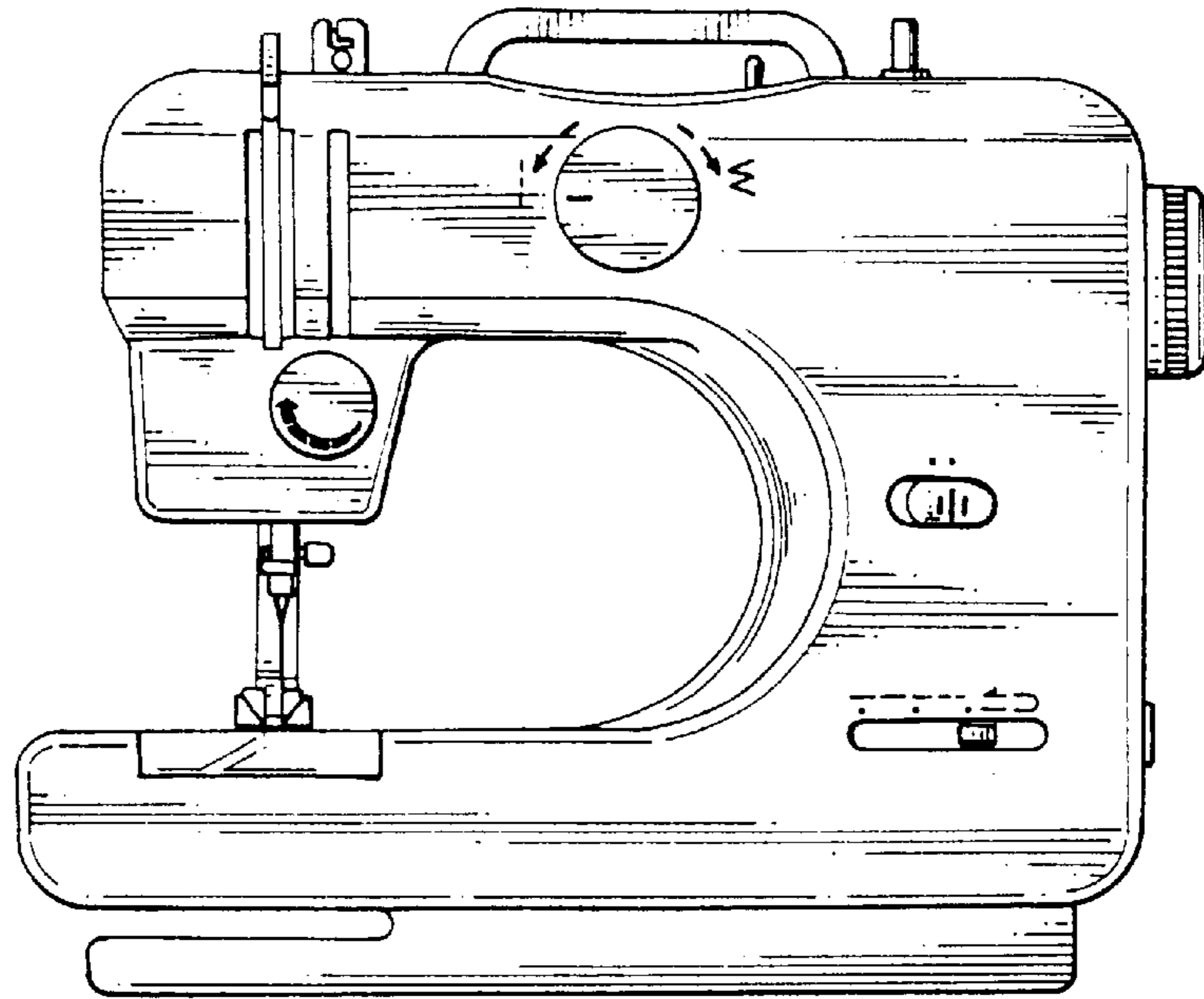


FIG. 2

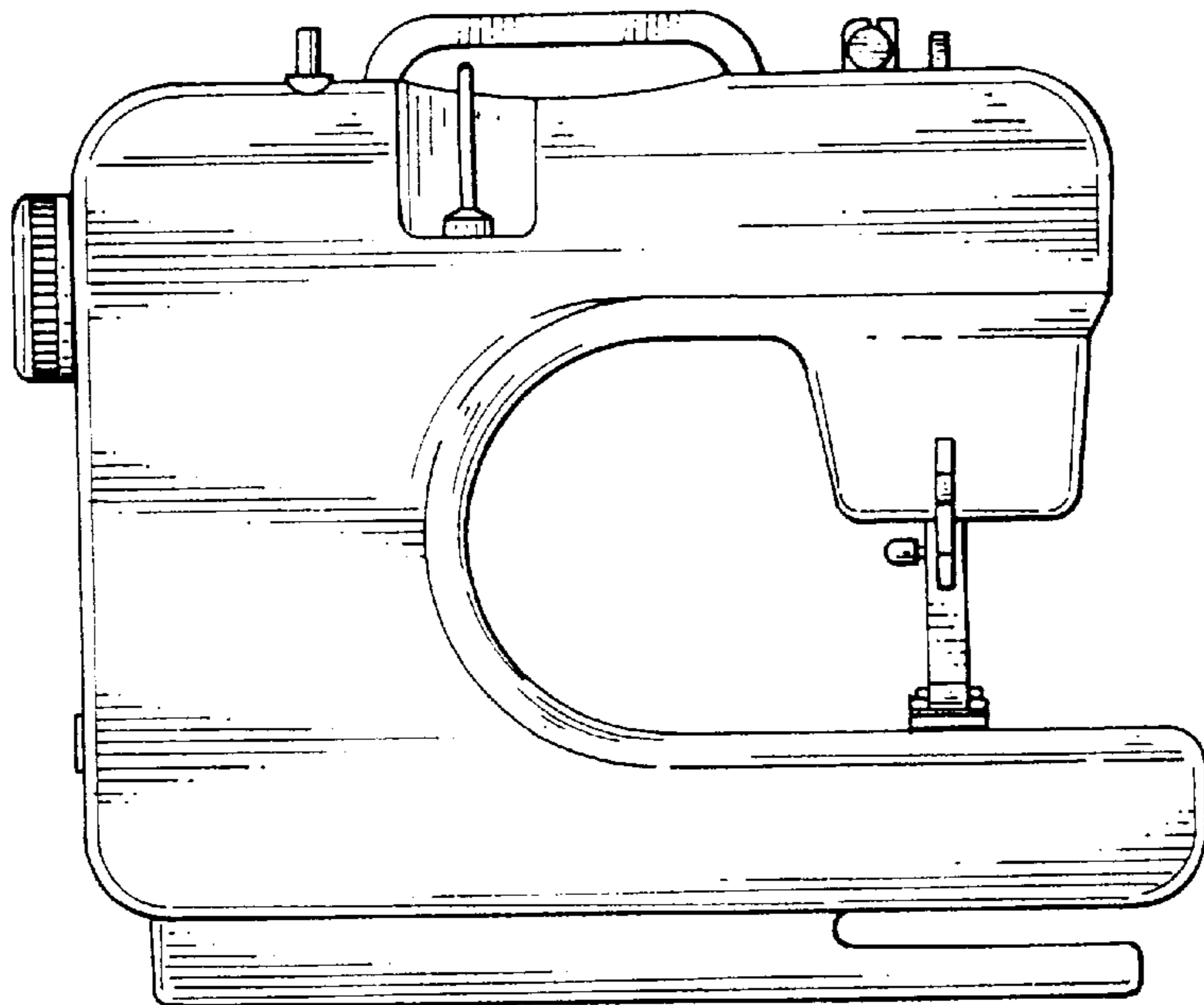


FIG. 3

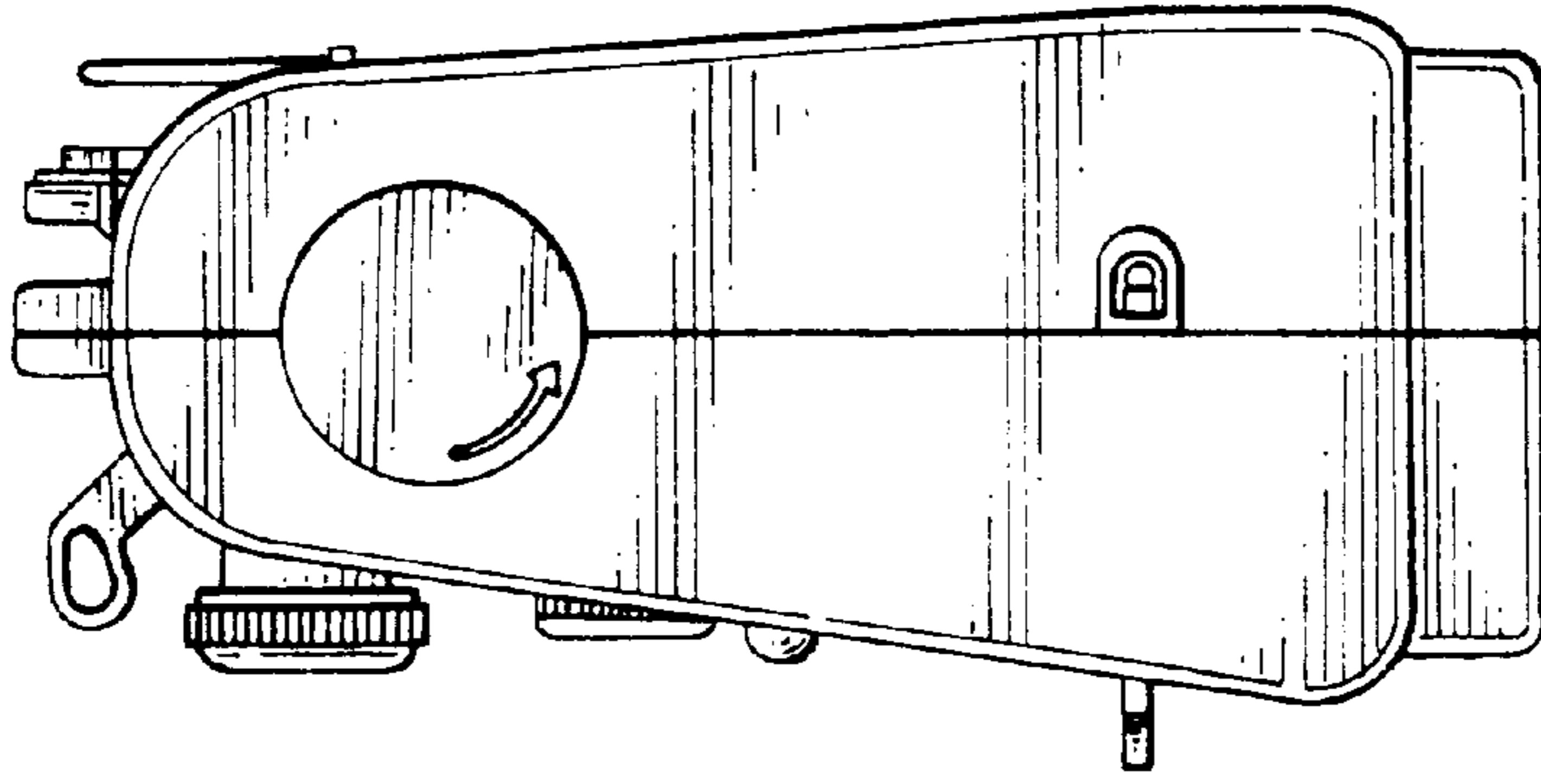


FIG. 5

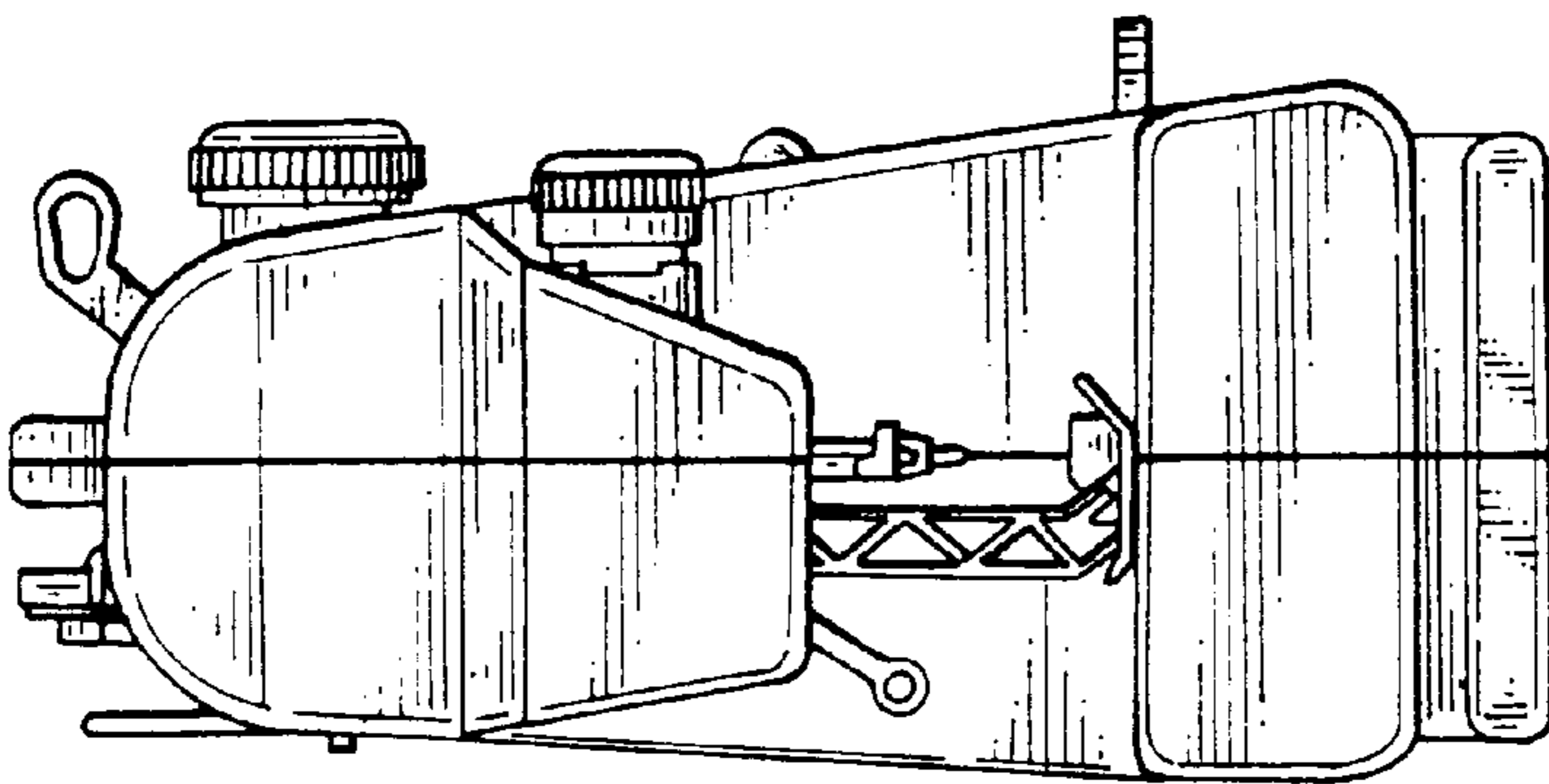


FIG. 4

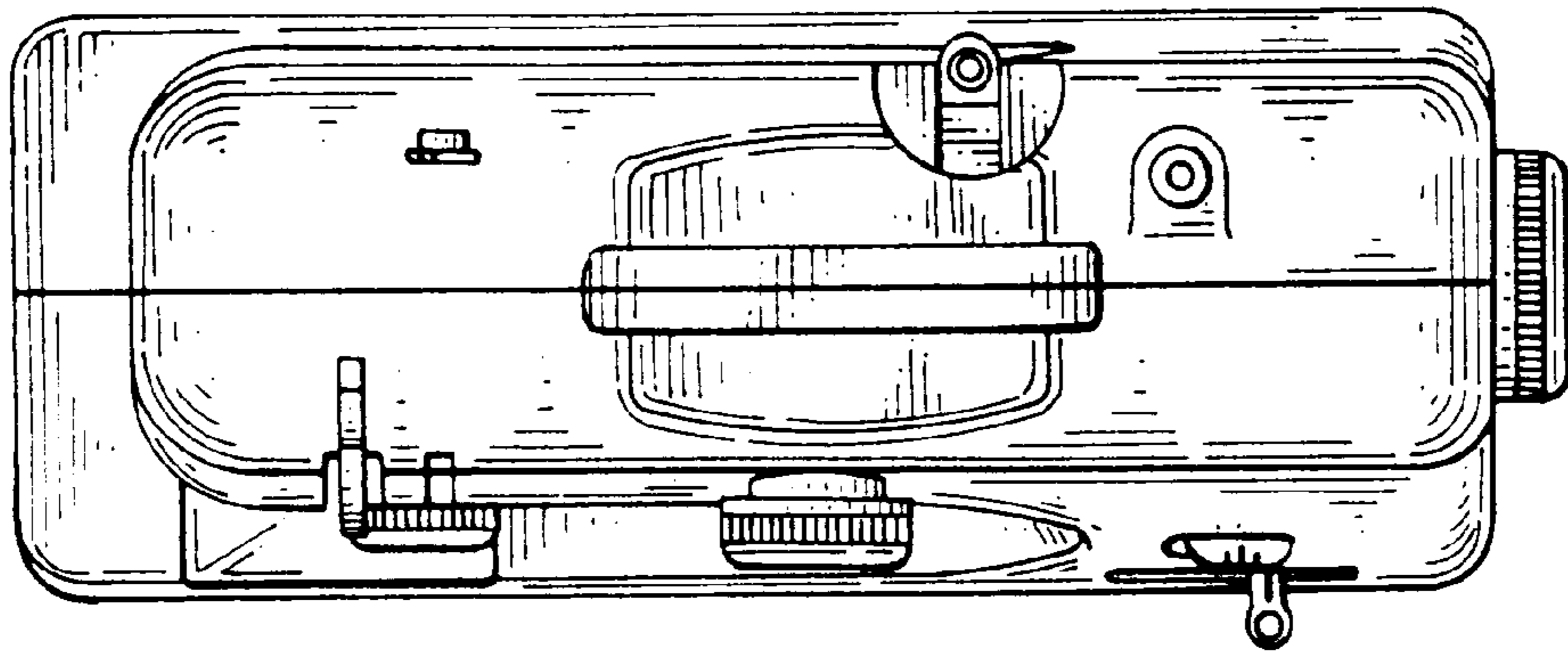


FIG. 6

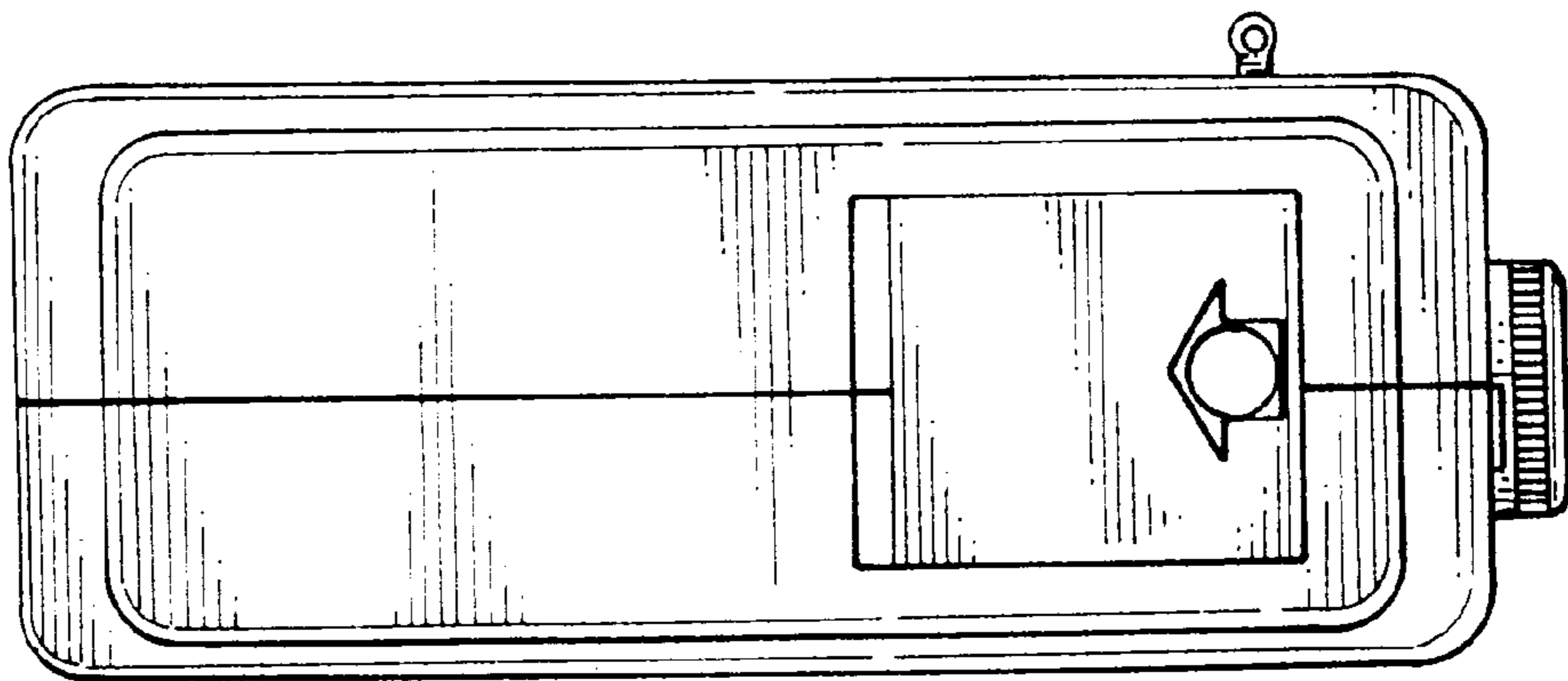


FIG. 7