



US00D419568S

United States Patent [19]

Baig et al.

[11] Patent Number: **Des. 419,568**

[45] Date of Patent: **** Jan. 25, 2000**

[54] **SKID STEER LOADER EXTERIOR DESIGN**

[75] Inventors: **Mirza Q. Baig**, Inkster, Mich.; **John R. Beaton**, Apex, N.C.; **H. Patrick Gaines**; **Jeffrey J. Griffith**, both of Cary, N.C.; **Peter Knopp**, Munich; **Michael Mursch**, Scheyern, both of Germany; **Richard A. Naugle**, Fuquay Varina, N.C.; **Matthew P. Rosefsky**, Haverford, Pa.; **Reid W. Waite**, Willow Springs, N.C.

[73] Assignee: **Caterpillar Inc.**, Peoria, Ill.

[**] Term: **14 Years**

[21] Appl. No.: **29/089,054**

[22] Filed: **Jun. 5, 1998**

[51] **LOC (7) Cl.** **15-04**

[52] **U.S. Cl.** **D15/25; D15/23**

[58] **Field of Search** **D15/10, 22-26; 180/89.1, 89.12, 900; 414/686**

[56] **References Cited**

U.S. PATENT DOCUMENTS

D. 231,482	4/1974	Bauer	D15/25
D. 272,825	2/1984	Cochran et al.	D15/25
D. 272,826	2/1984	Cochran et al.	D15/25
D. 314,389	2/1991	Lynnes et al.	D15/25

D. 317,926	7/1991	Lynnes et al.	D15/25
D. 322,792	12/1991	Park	D15/25
D. 376,372	12/1996	Little et al.	D15/23
4,055,262	10/1977	Bauer et al.	180/89.12
5,240,366	8/1993	Bamford	414/686
5,542,814	8/1996	Ashcroft et al.	414/686

OTHER PUBLICATIONS

Successful Farming, mid Feb. 1991. p. 59, Gehl Skid Loader.

Successful Farming, Aug. 1991. p. 15, Bobcat Skid-steer Loaders.

Progressful Farming, Dec. 1993. p. 16, Du-Al's 720 Skid Digger.

Primary Examiner—Sandra L. Morris

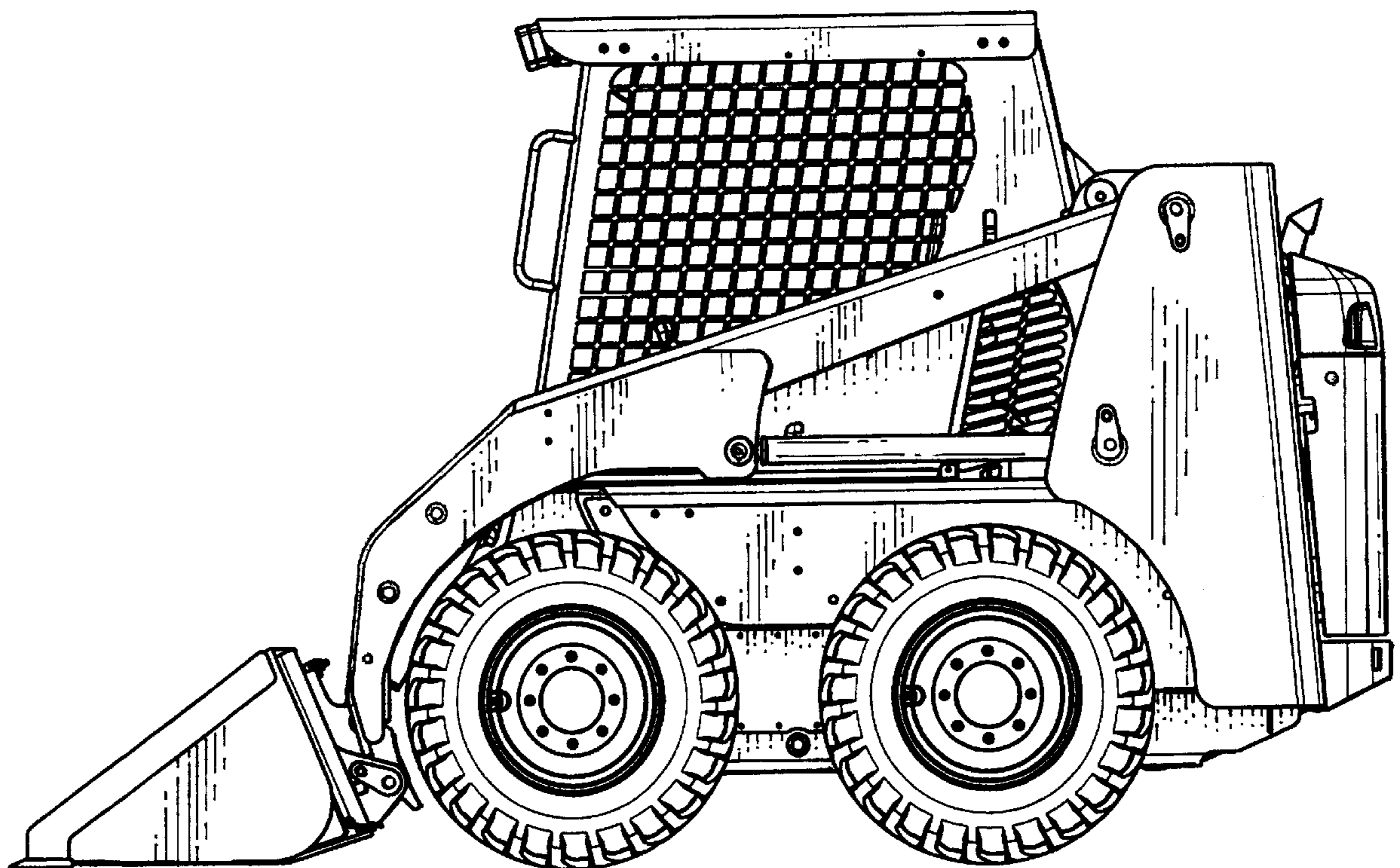
[57] **CLAIM**

The ornamental design for a skid steer loader exterior design, as shown and described.

DESCRIPTION

FIG. 1 is a left side elevational view of a skid steer loader exterior design showing our new design; FIG. 2 is a right side elevational view thereof; FIG. 3 is a front elevational view thereof; FIG. 4 is a rear elevational view thereof; FIG. 5 is a top plan elevational view thereof; and, FIG. 6 is a bottom plan view thereof.

1 Claim, 5 Drawing Sheets



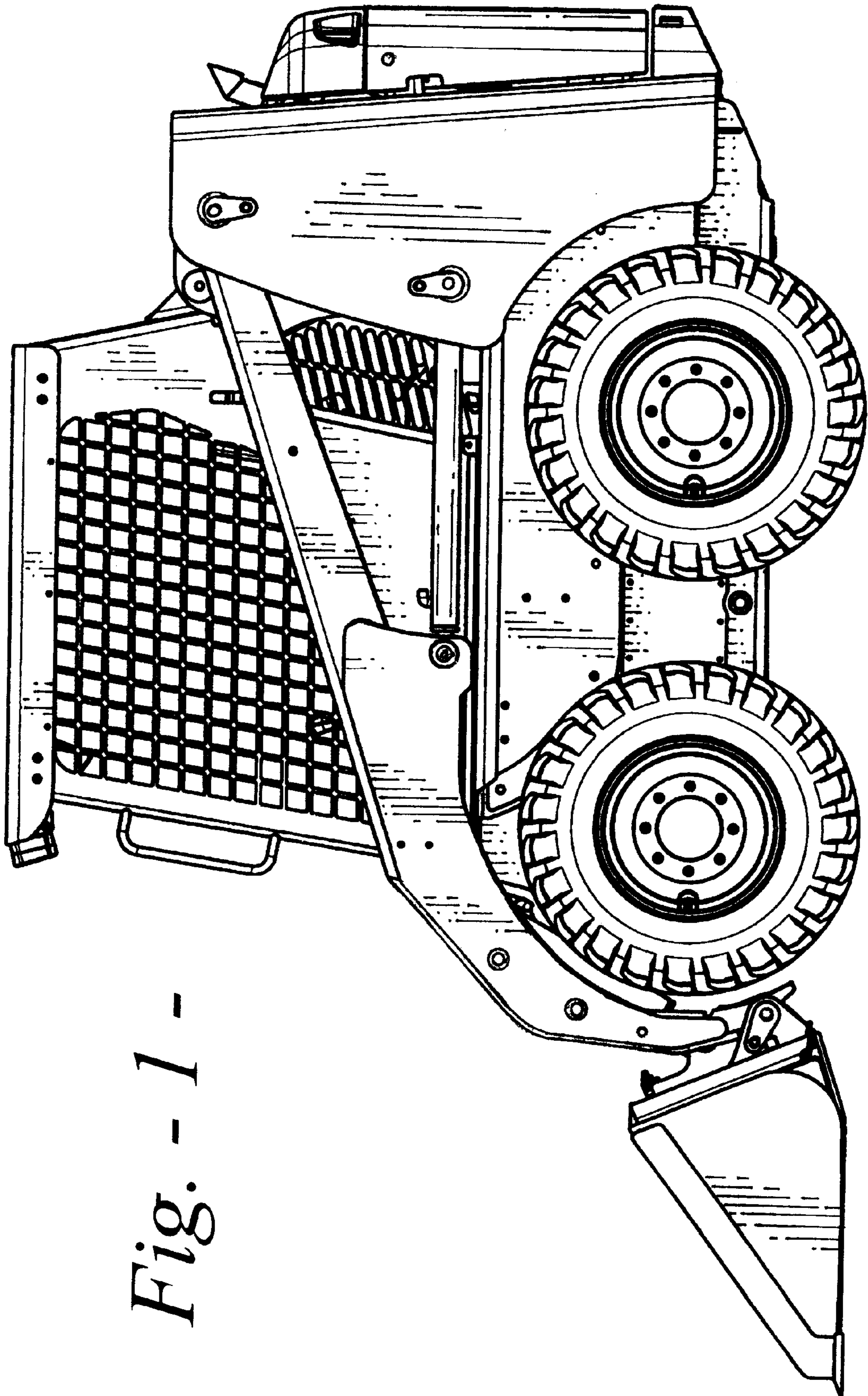


Fig. - 1 -

Fig. - 2 -

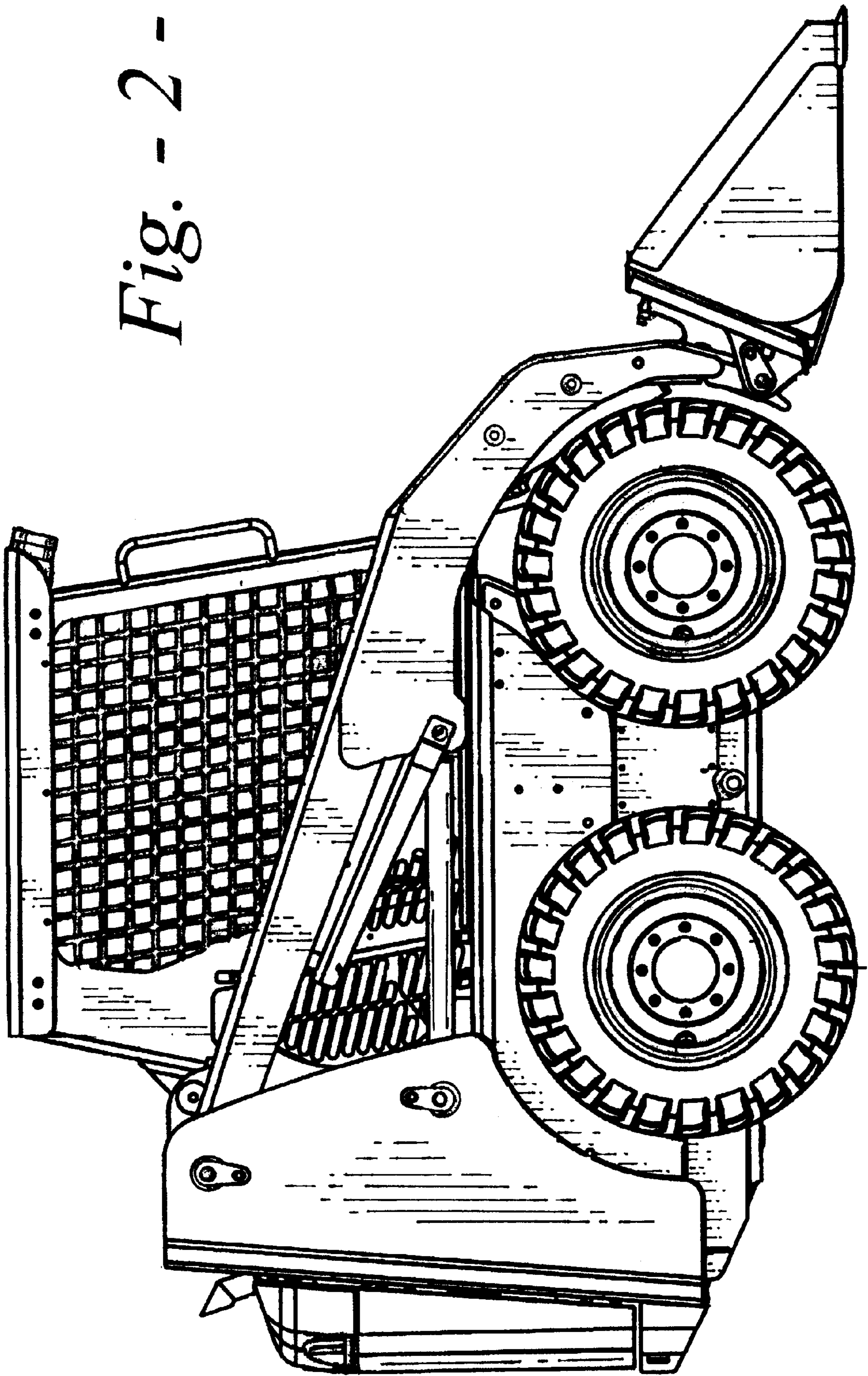


Fig. - 4 -

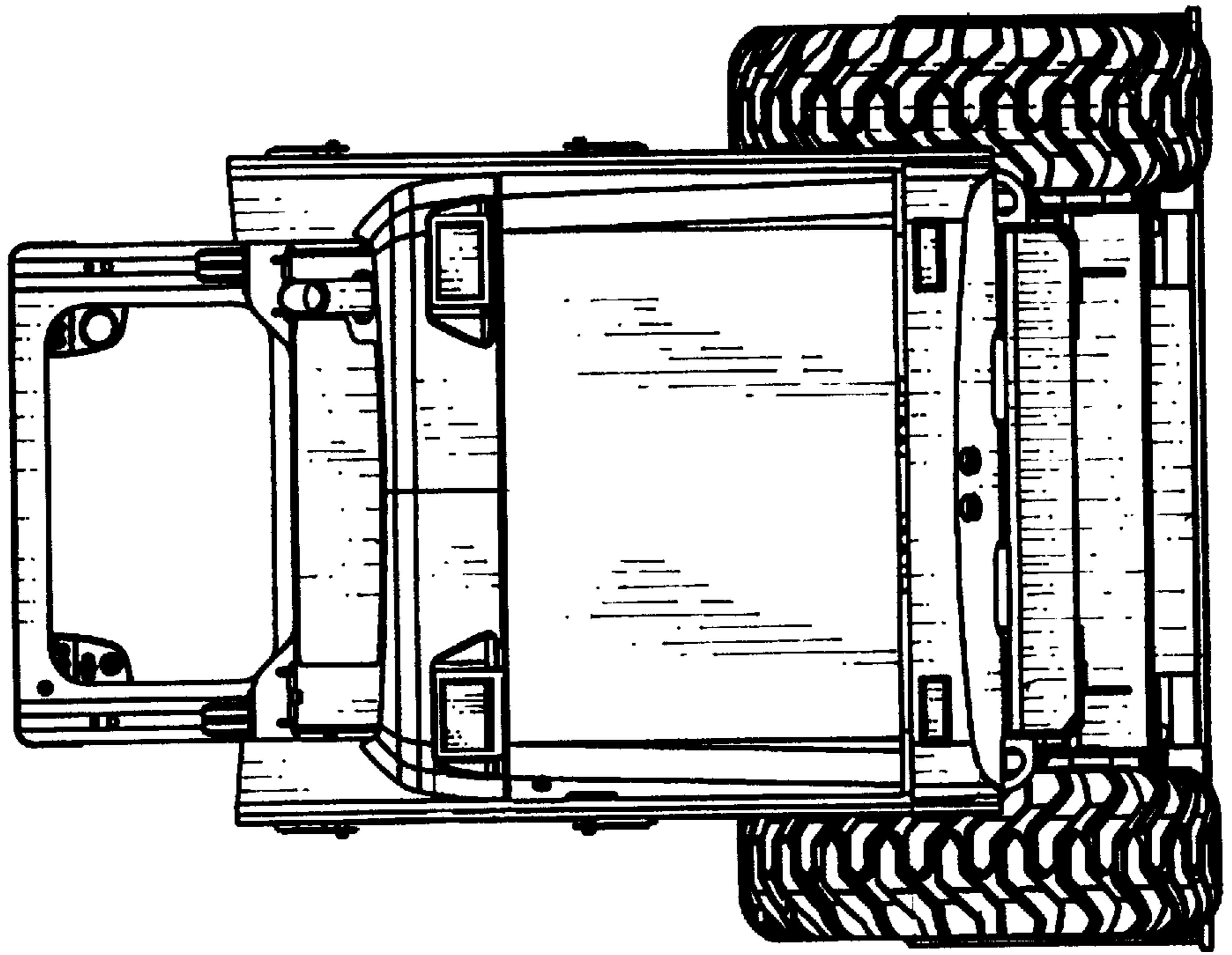
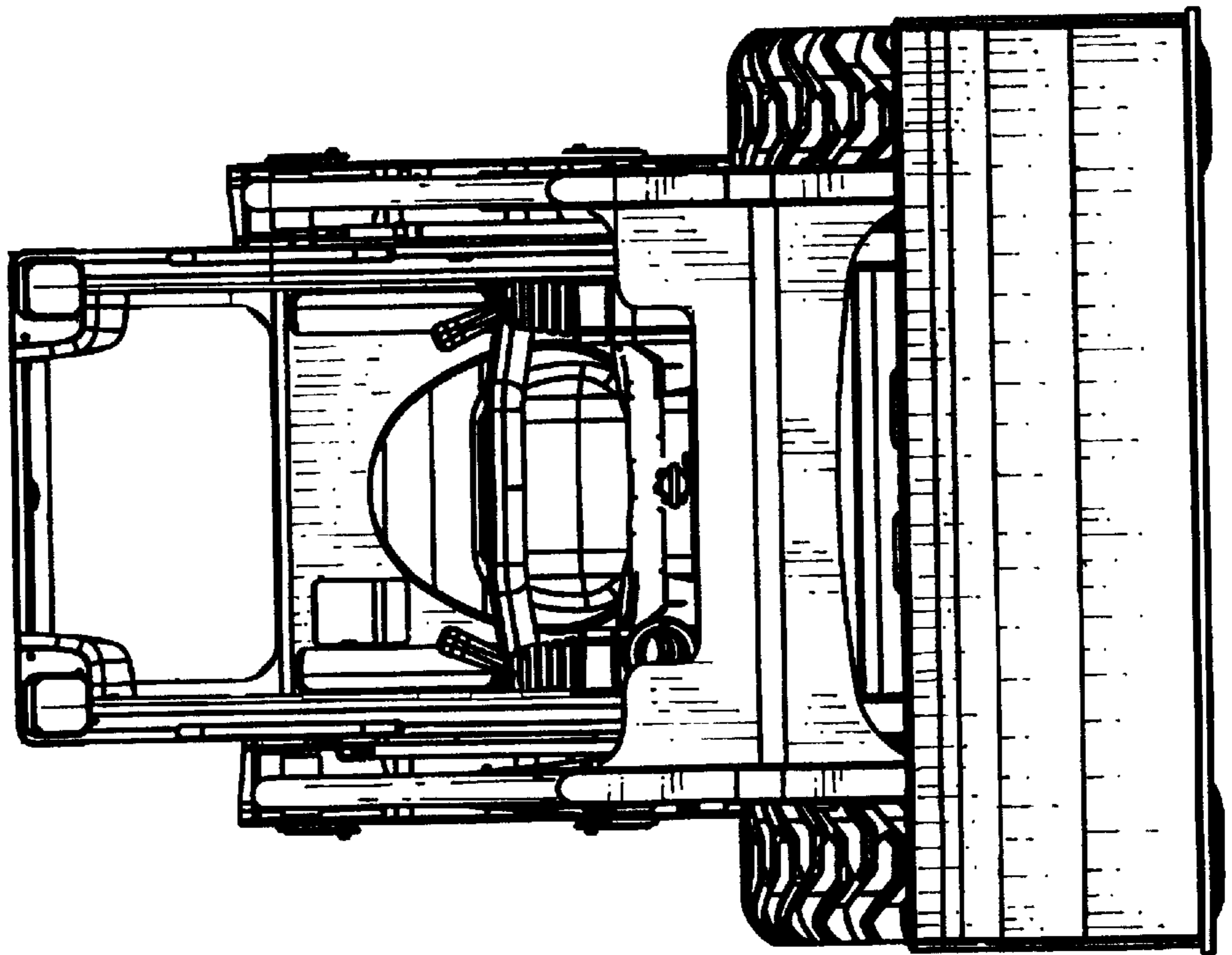


Fig. - 3 -



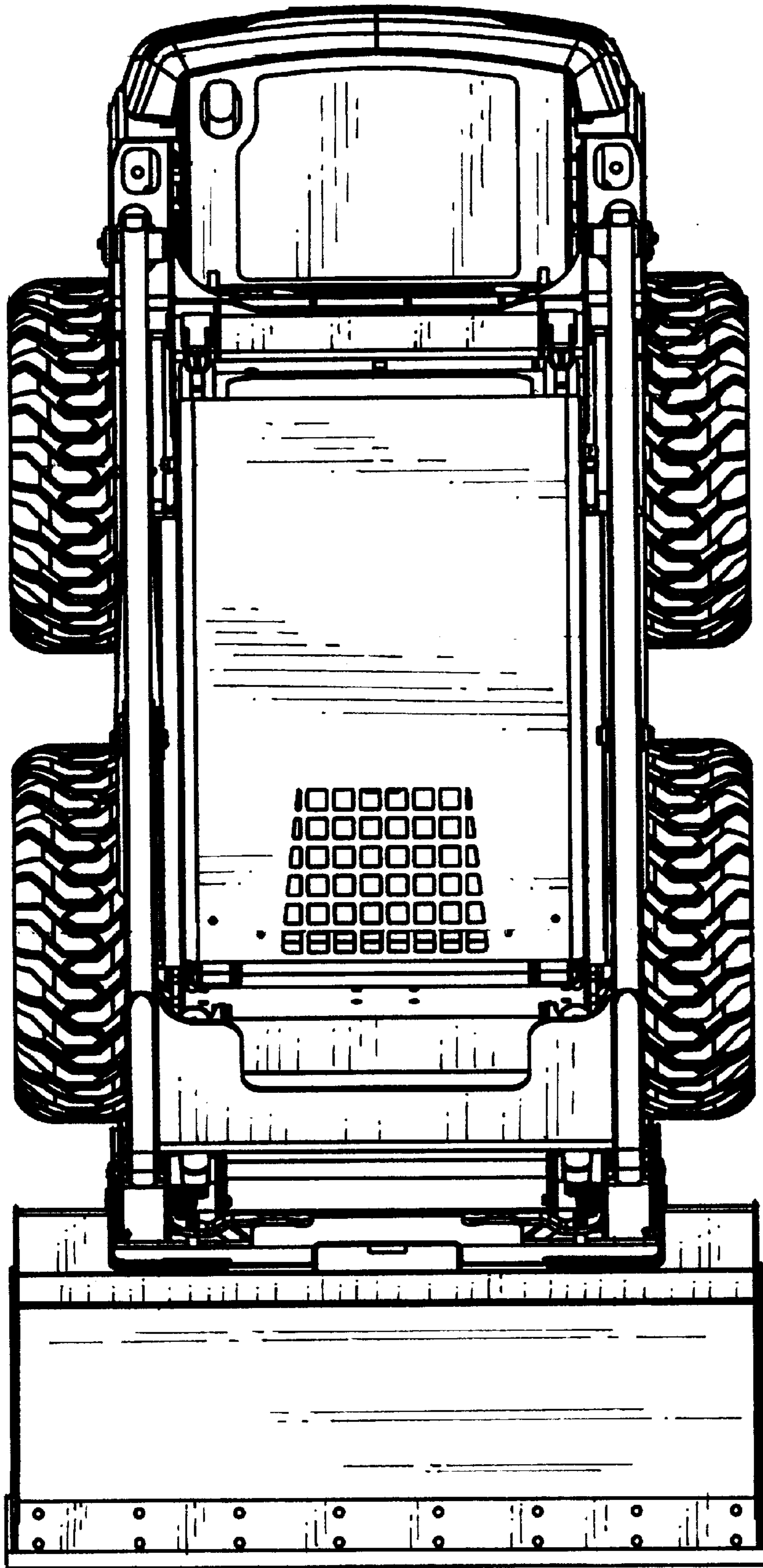


Fig. - 5 -

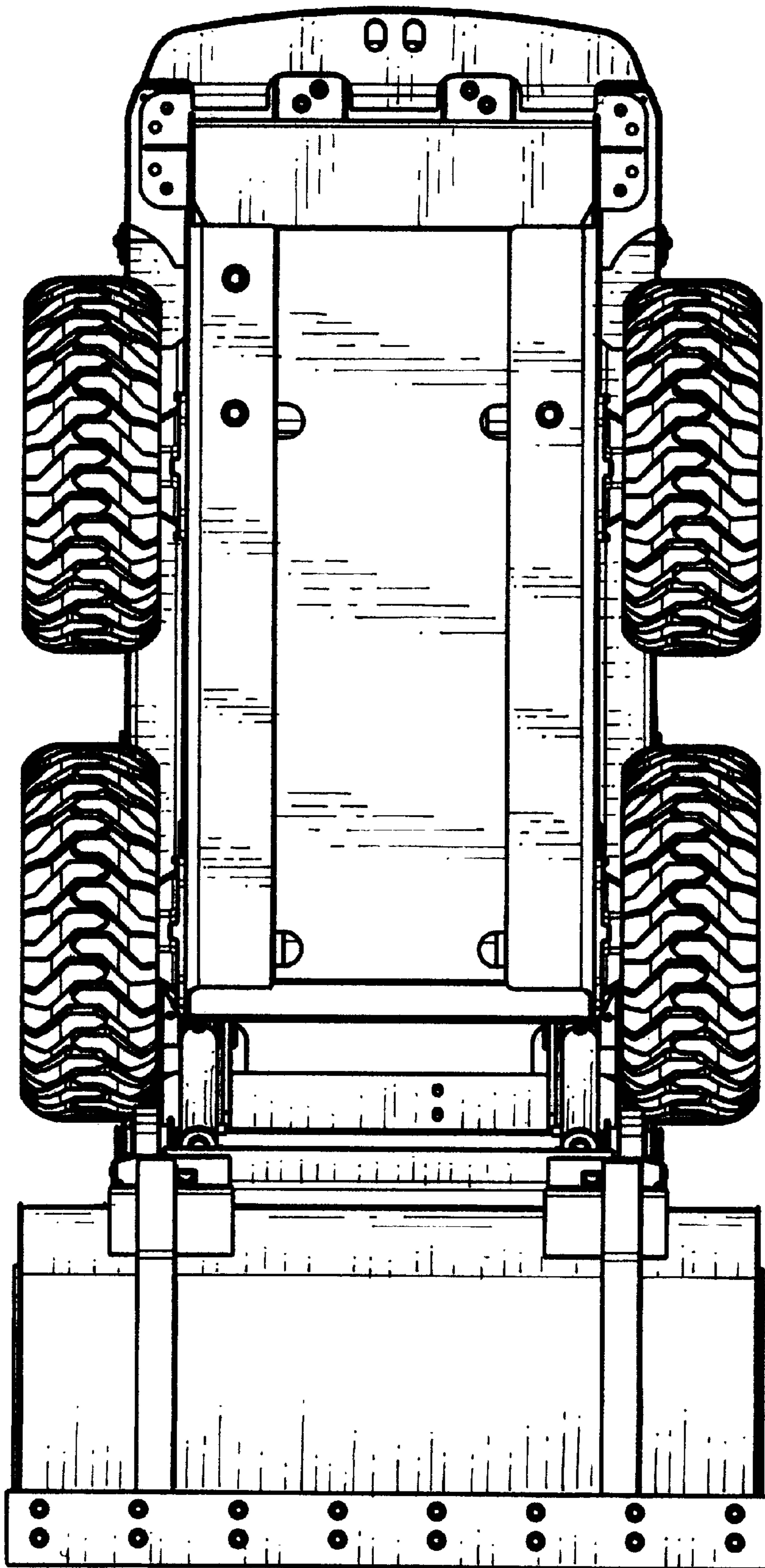


Fig. - 6 -