



US00D419567S

# United States Patent [19]

Weiss

[11] Patent Number: Des. 419,567

[45] Date of Patent: \*\* Jan. 25, 2000

[54] PUMP

[75] Inventor: Jeffrey J. Weiss, Sheboygan, Wis.

[73] Assignee: Thomas Industries Inc., Sheboygan, Wis.

[\*\*] Term: 14 Years

[21] Appl. No.: 29/103,354

[22] Filed: Apr. 13, 1999

[51] LOC (7) Cl. .... 15-02

[52] U.S. Cl. .... D15/7

[58] Field of Search ..... D15/7-9; 417/410.1, 417/413.1, 423.3, 417, 630, 415, 234, 410.3

### [56] References Cited

#### U.S. PATENT DOCUMENTS

- D. 215,884 11/1969 Svenson ..... D15/7
- D. 286,782 11/1986 Somers ..... D15/7
- D. 339,810 9/1993 Hansen ..... D15/7

- D. 373,366 9/1996 Wada et al. .... D15/7
- D. 384,674 10/1997 Grolle et al. .... D15/7

Primary Examiner—Ralf Seifert  
Attorney, Agent, or Firm—Quarles & Brady LLP

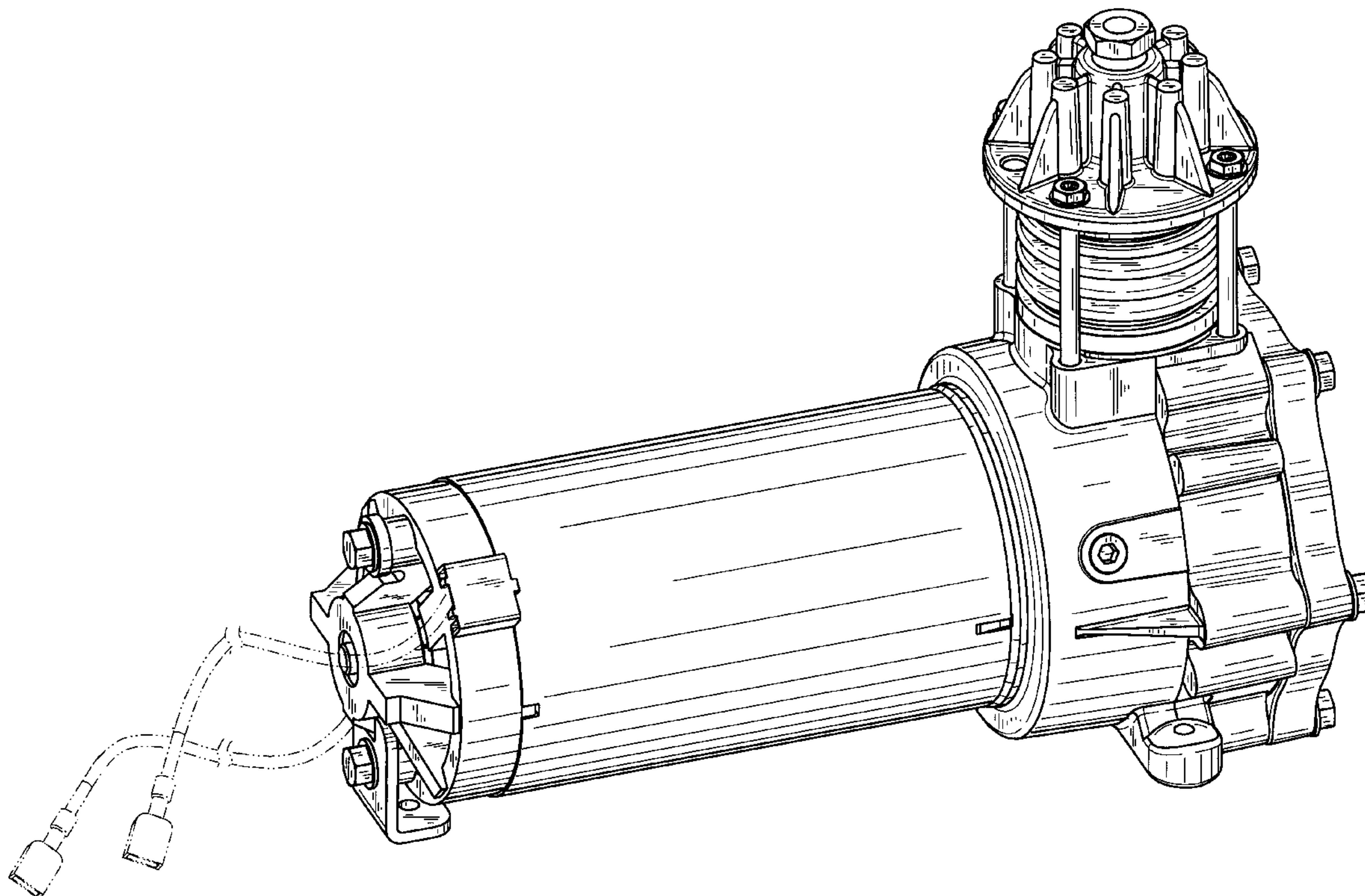
### [57] CLAIM

The ornamental design for a pump, as shown and described.

### DESCRIPTION

FIG. 1 is a perspective view of a pump showing my new design;  
 FIG. 2 is a front elevational view thereof;  
 FIG. 3 is a left side elevational view thereof;  
 FIG. 4 is a rear elevational view thereof;  
 FIG. 5 is a right side elevational view thereof;  
 FIG. 6 is a top elevational view thereof; and,  
 FIG. 7 is a bottom elevational view thereof.  
 The broken line representations of cables in FIGS. 1-7 are exemplary and form no part of the invention.

1 Claim, 7 Drawing Sheets



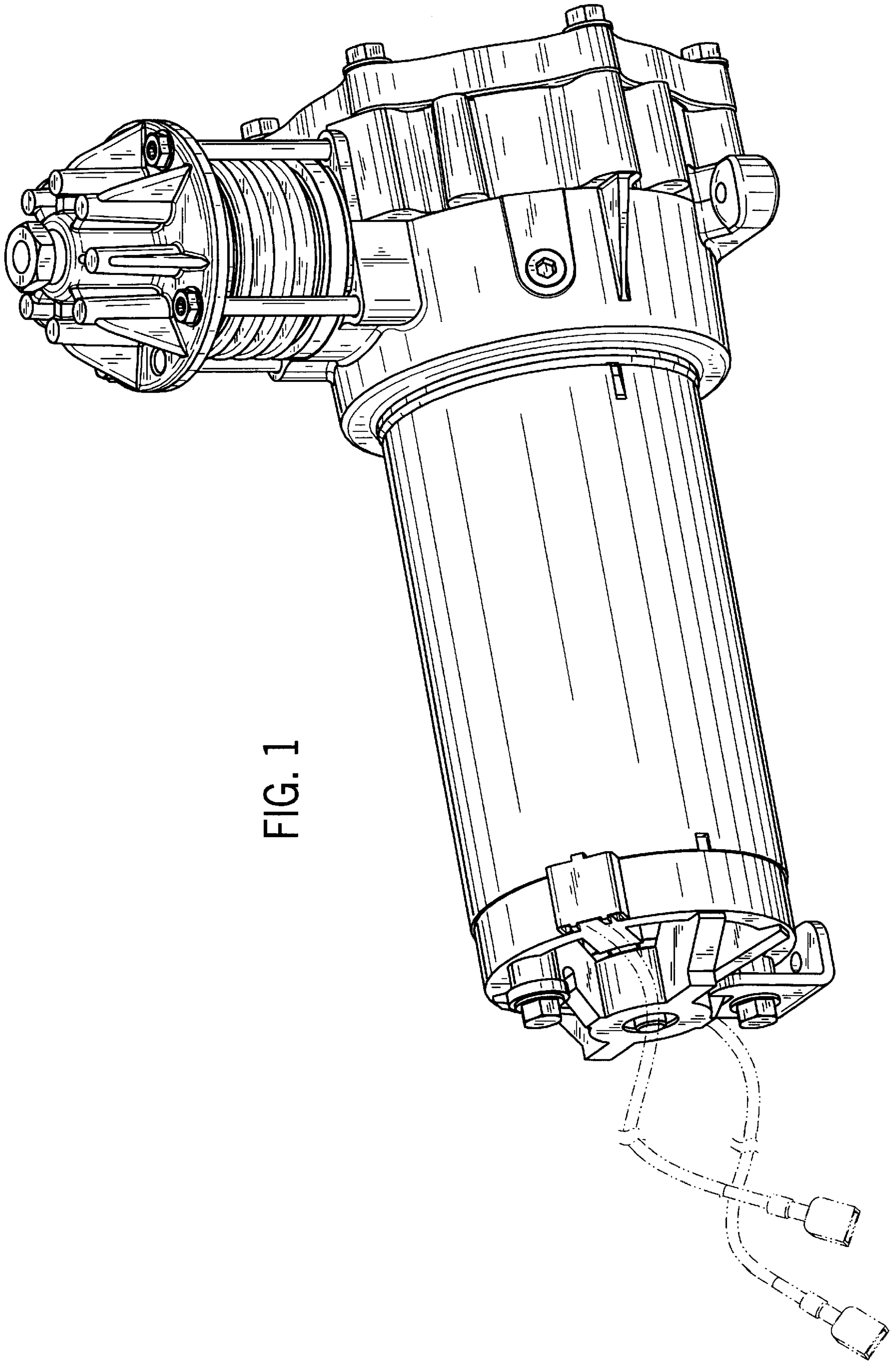


FIG. 1

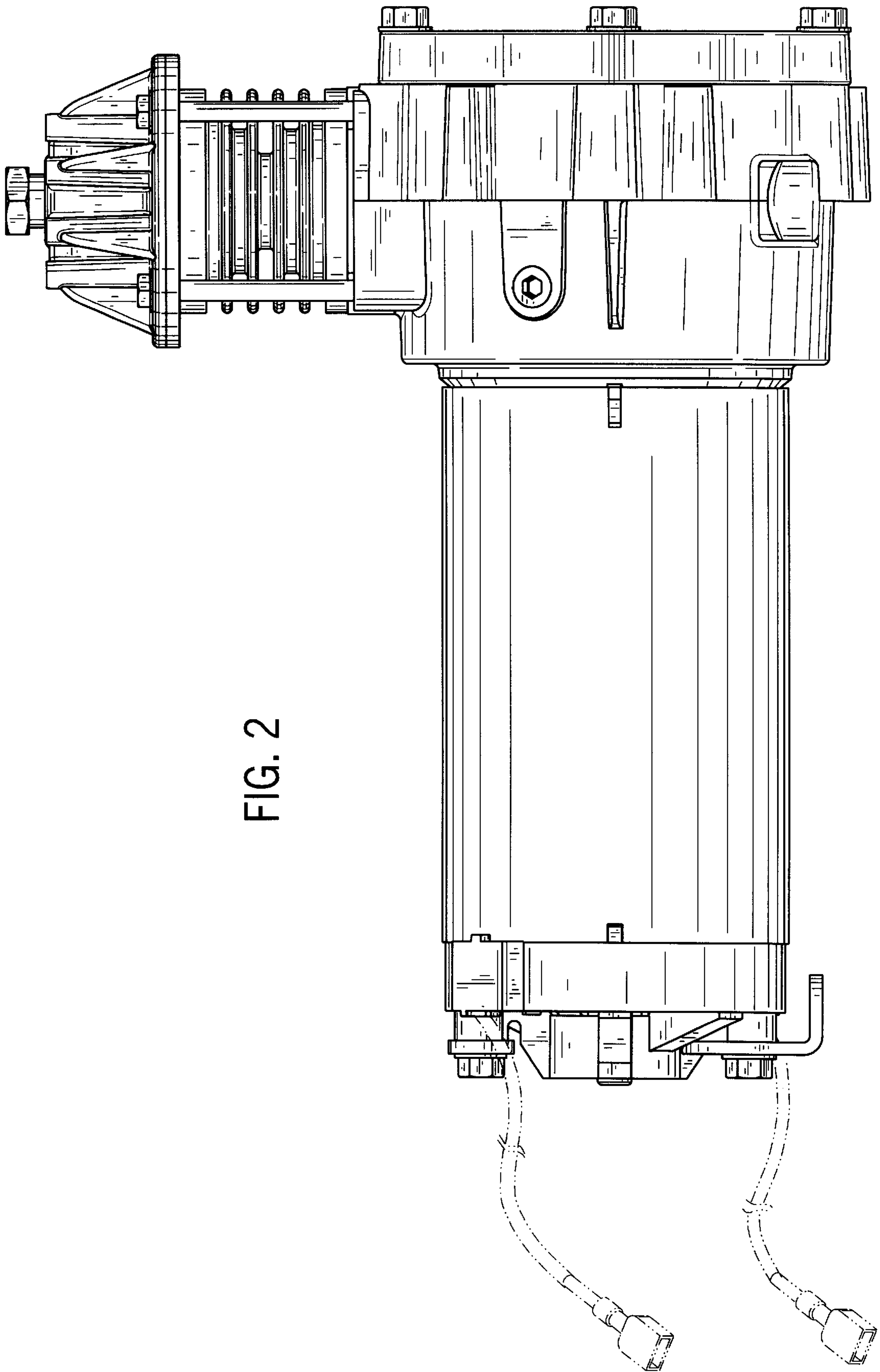


FIG. 2



FIG. 3

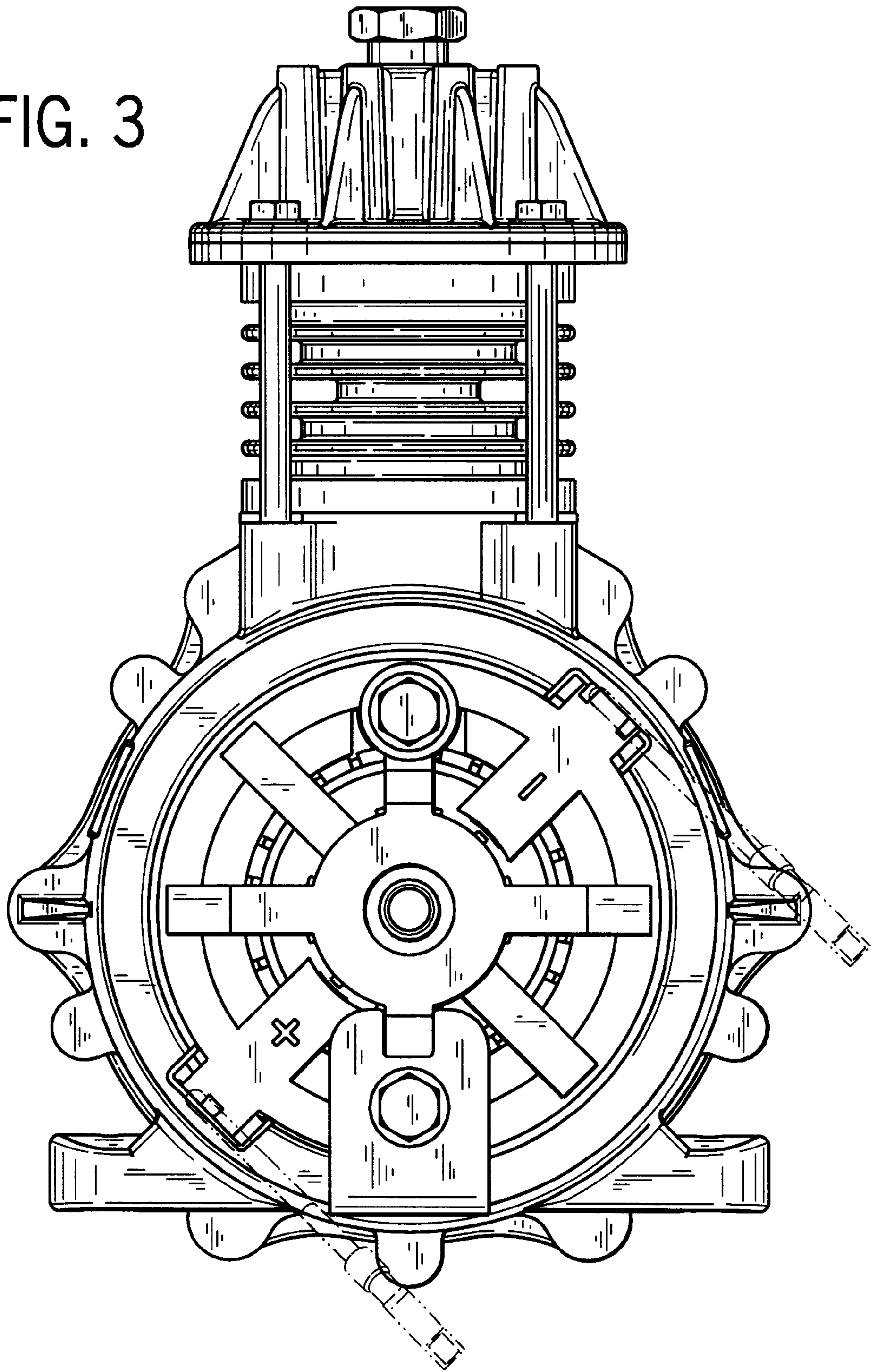


FIG. 4

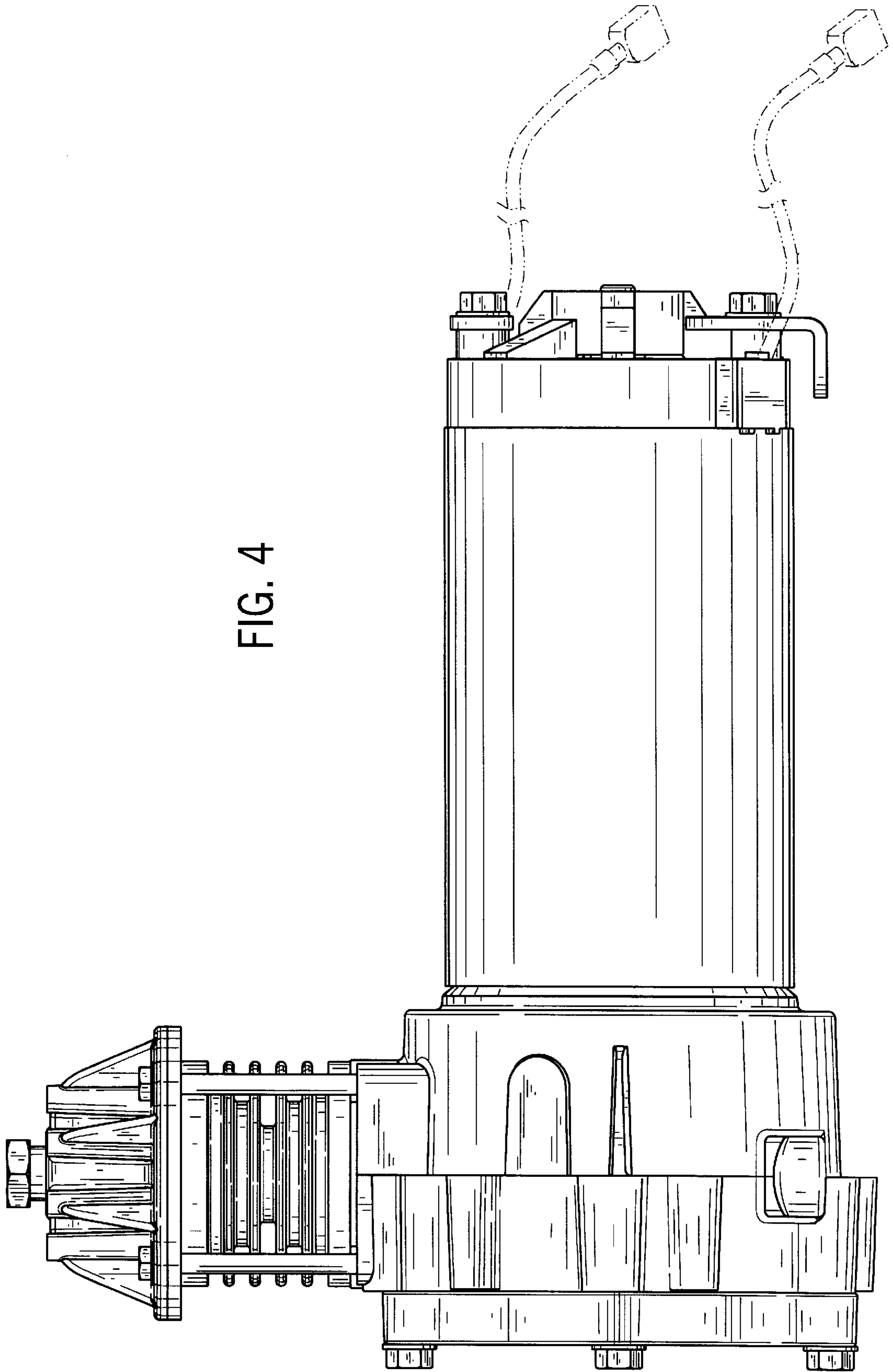
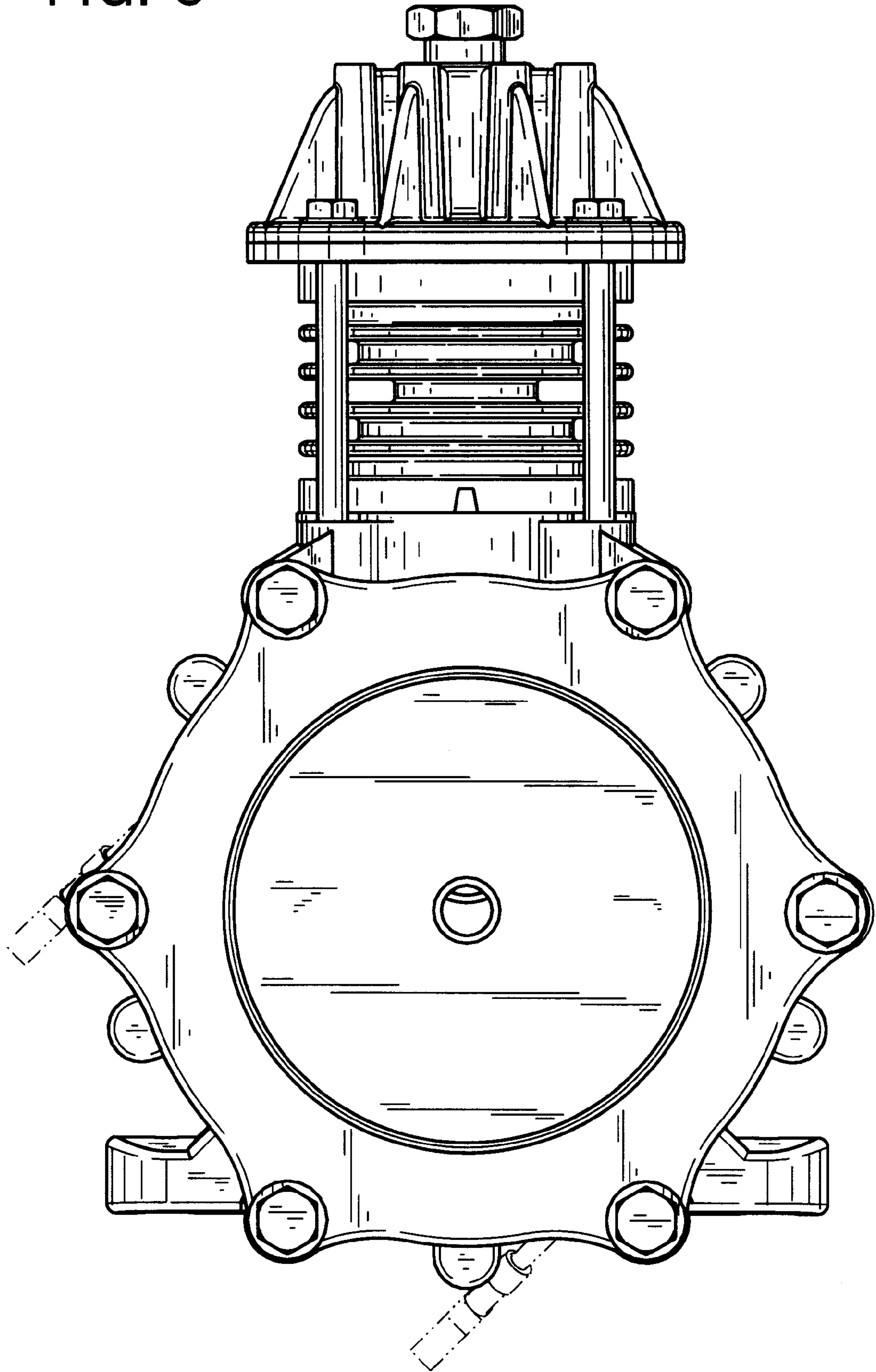
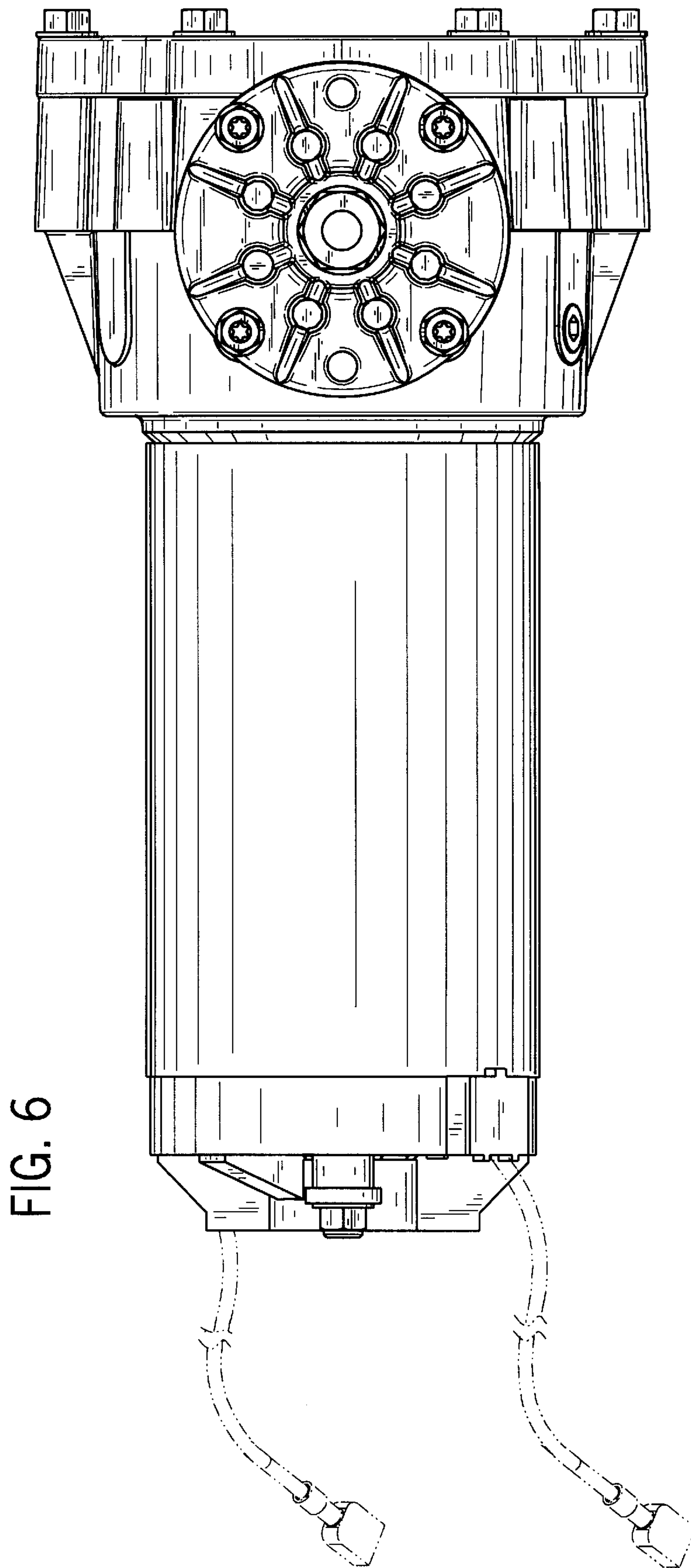


FIG. 5





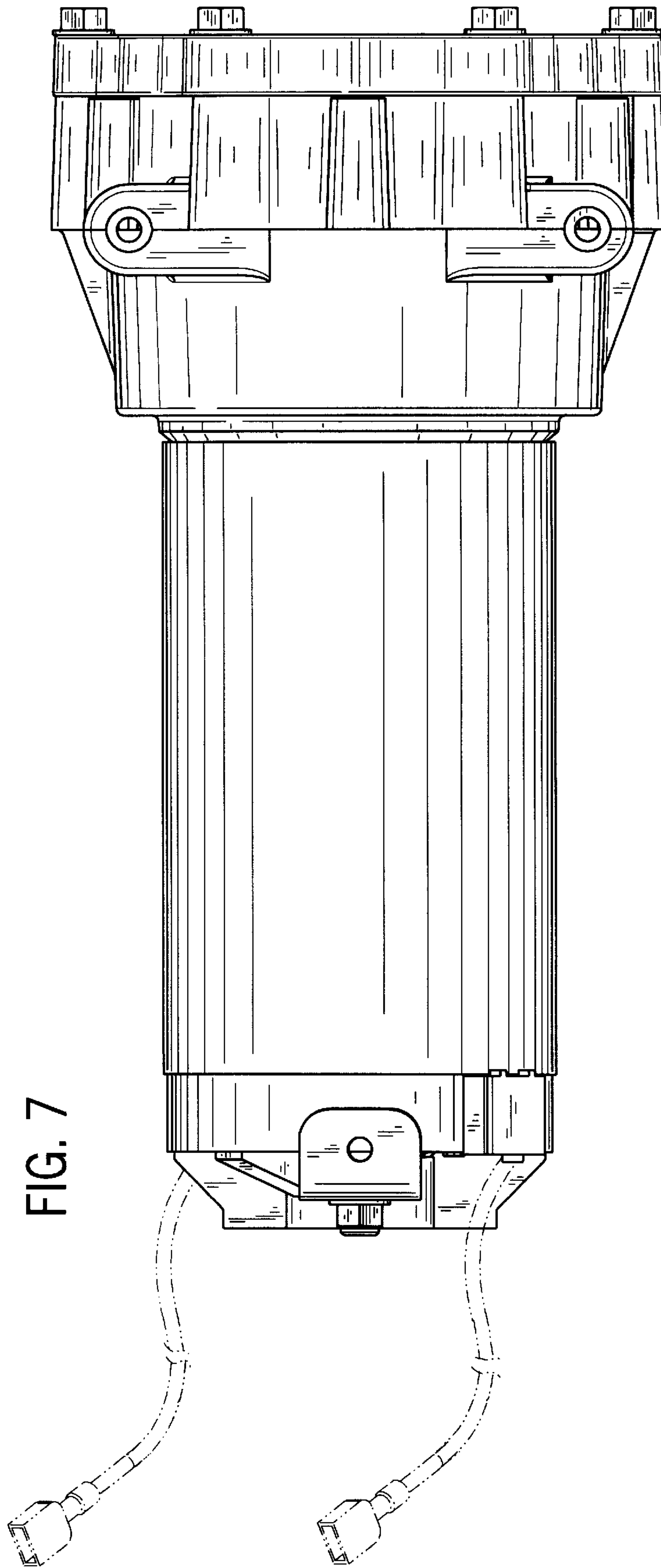


FIG. 7