



US00D419561S

United States Patent [19]

[11] Patent Number: **Des. 419,561**

Haase et al.

[45] Date of Patent: **** Jan. 25, 2000**

[54] **FLUSH MOUNT DUPLEX-PIVOTING SPEAKER UNIT**

D. 320,020	9/1991	Iwano	D14/216
D. 393,641	4/1998	Hai-Fu	D14/216
511,617	12/1893	Howard	D14/216 X
2,496,589	2/1950	Marquis	D14/216 X
4,853,966	8/1989	Skrzycki .	
5,133,428	7/1992	Perrson .	
5,303,209	4/1994	Frasl	381/433 X

[75] Inventors: **Edward H. Haase**, Riverside; **William To**, Santa Maria; **Robert Pfeifer**, Riverside; **Jeffrey W. King, Sr.**, Lake Arrowhead, all of Calif.

[73] Assignee: **Speakercraft, Inc.**, Riverside, Calif.

Primary Examiner—Nanda Bondade
Attorney, Agent, or Firm—Sheldon & Mak

[**] Term: **14 Years**

[57] CLAIM

[21] Appl. No.: **29/098,850**

The ornamental design for a flush mount duplex-pivoting speaker unit, as shown.

[22] Filed: **Jan. 7, 1999**

DESCRIPTION

[51] **LOC (7) Cl.** **14-01**

FIG. 1 is a left perspective view of a flush mount duplex-pivoting speaker unit of our new design; FIG. 2 is a top plan view thereof; FIG. 3 is a front view thereof; FIG. 4 is a left side view thereof; FIG. 5 is a right side view thereof; FIG. 6 is a rear view thereof; and, FIG. 7 is a bottom view thereof.

[52] **U.S. Cl.** **D14/216; D14/221**

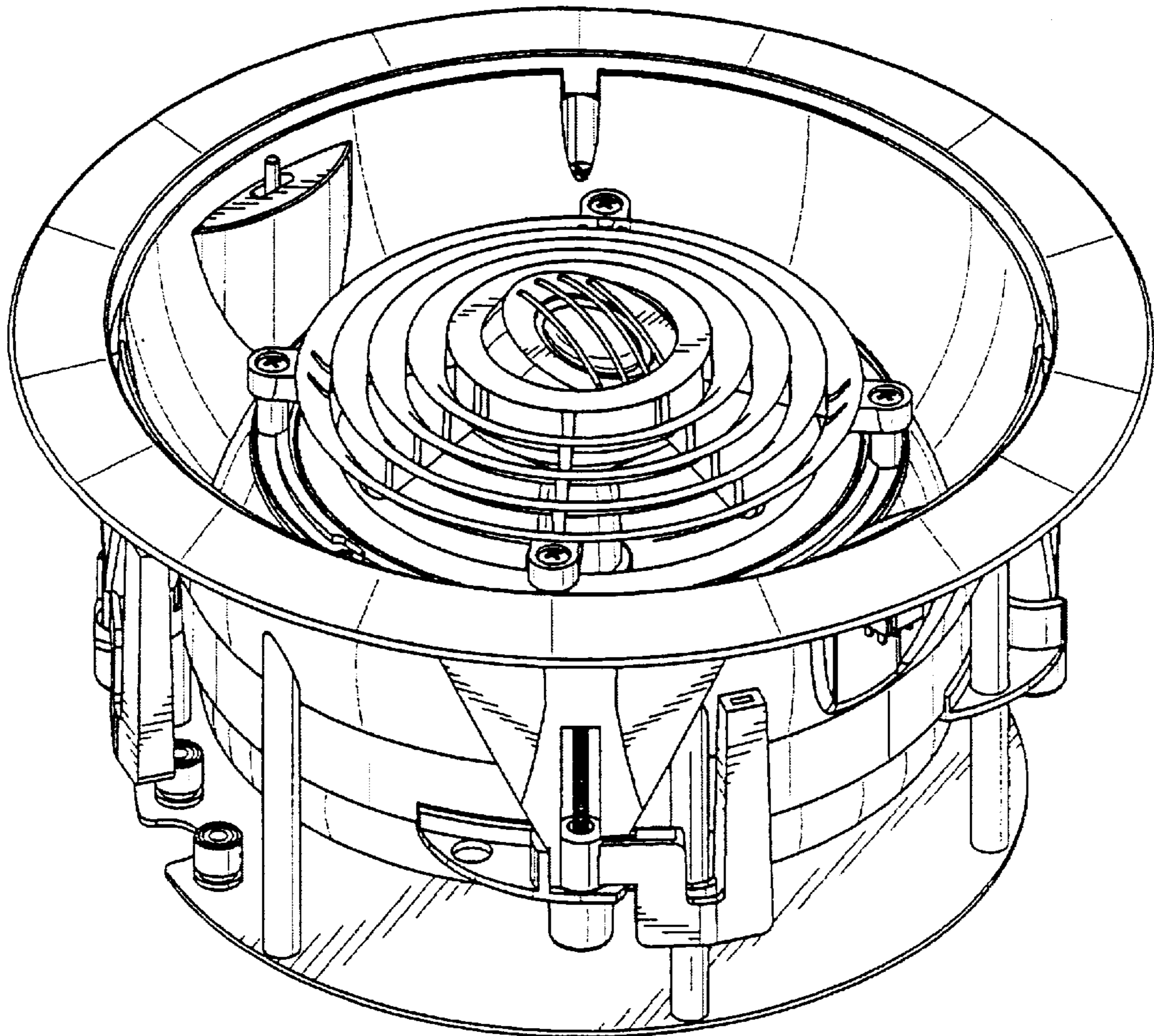
[58] **Field of Search** D14/204, 207, D14/215-216, 221-222; 381/143-144, 147-148, 150, 152-155, 157, 159, 198-199, 345, 369, 432, 433

[56] References Cited

U.S. PATENT DOCUMENTS

D. 188,542 8/1960 Levy et al. D14/216

1 Claim, 4 Drawing Sheets



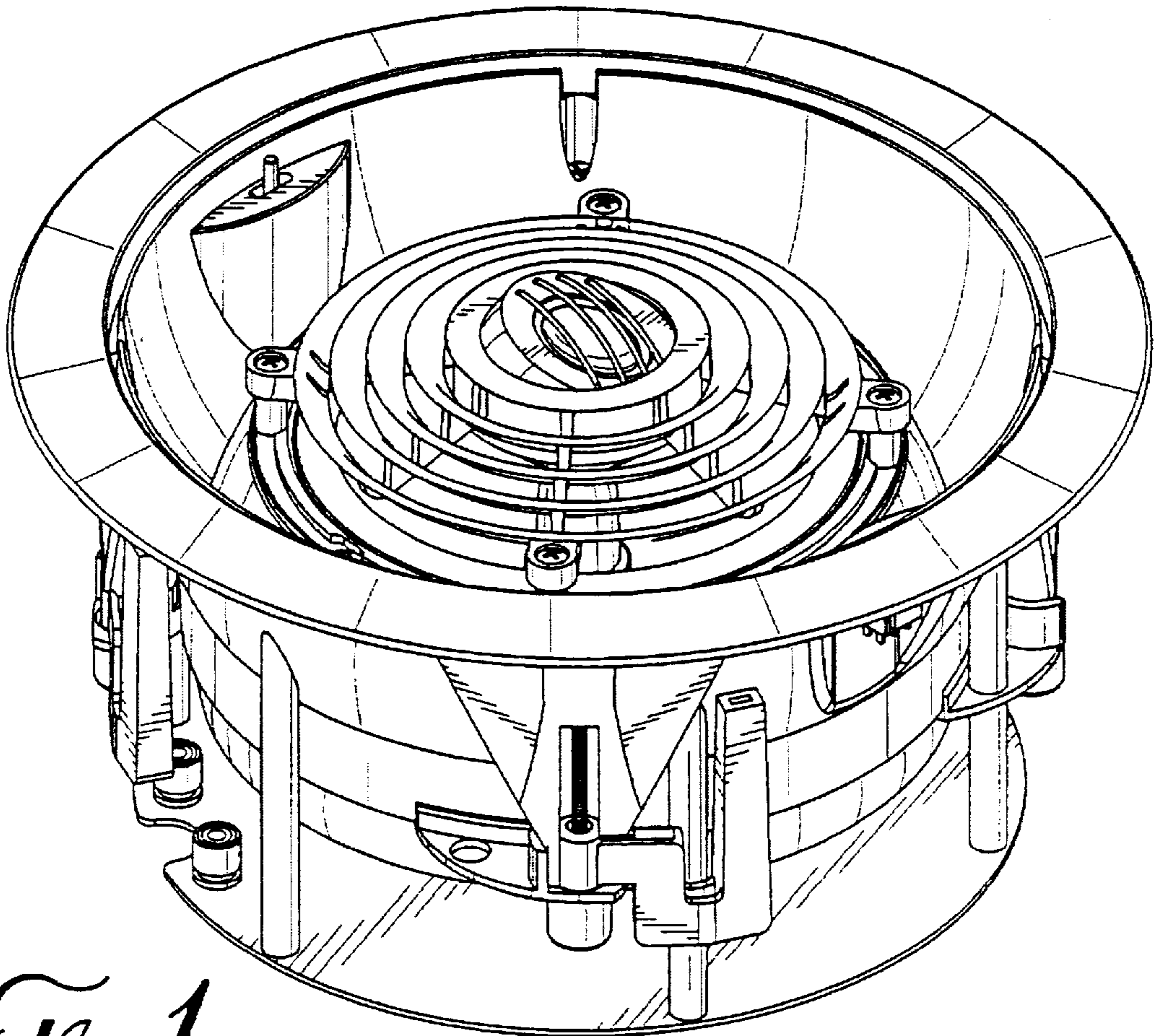


FIG. 1

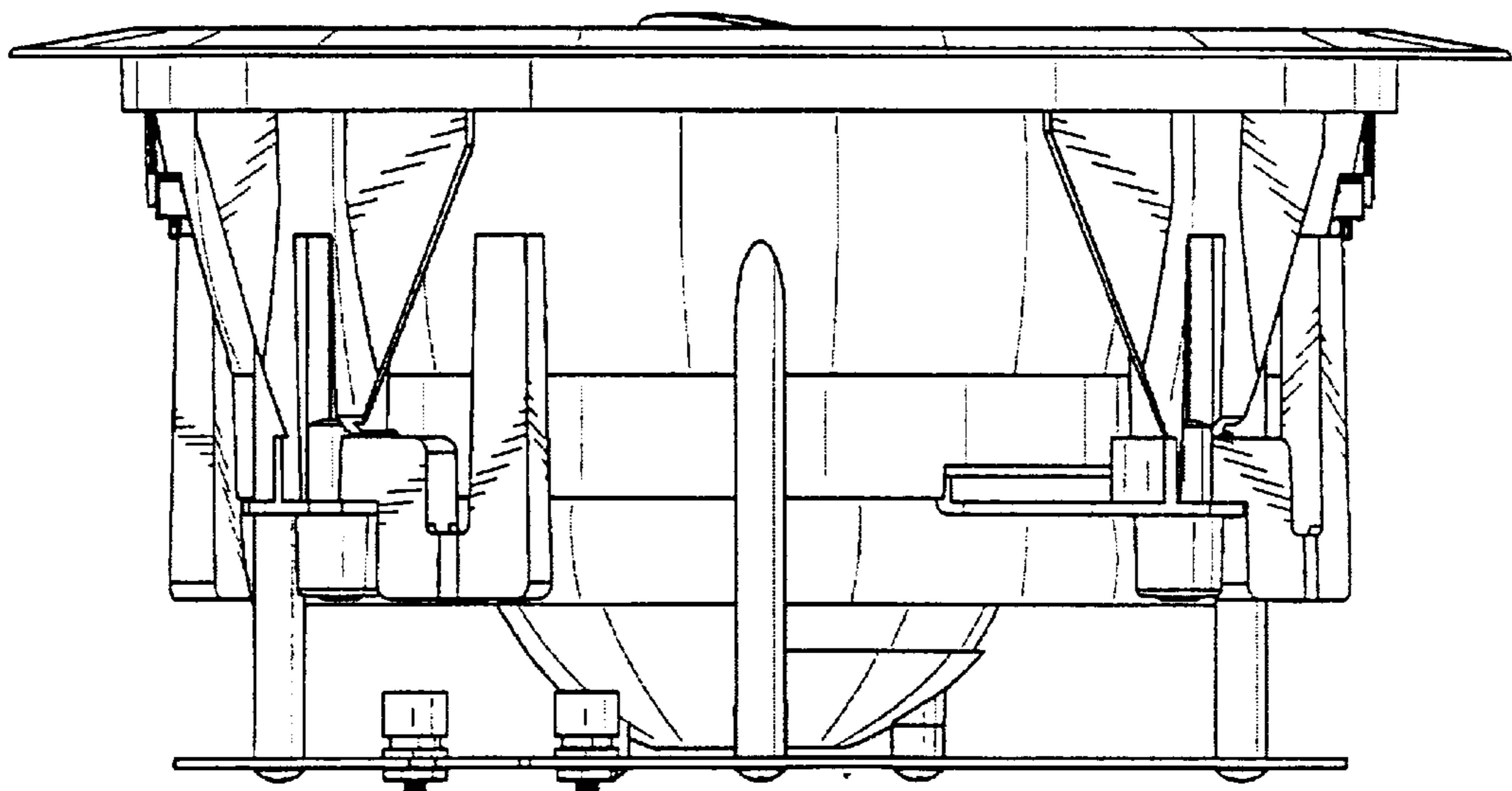


FIG. 3

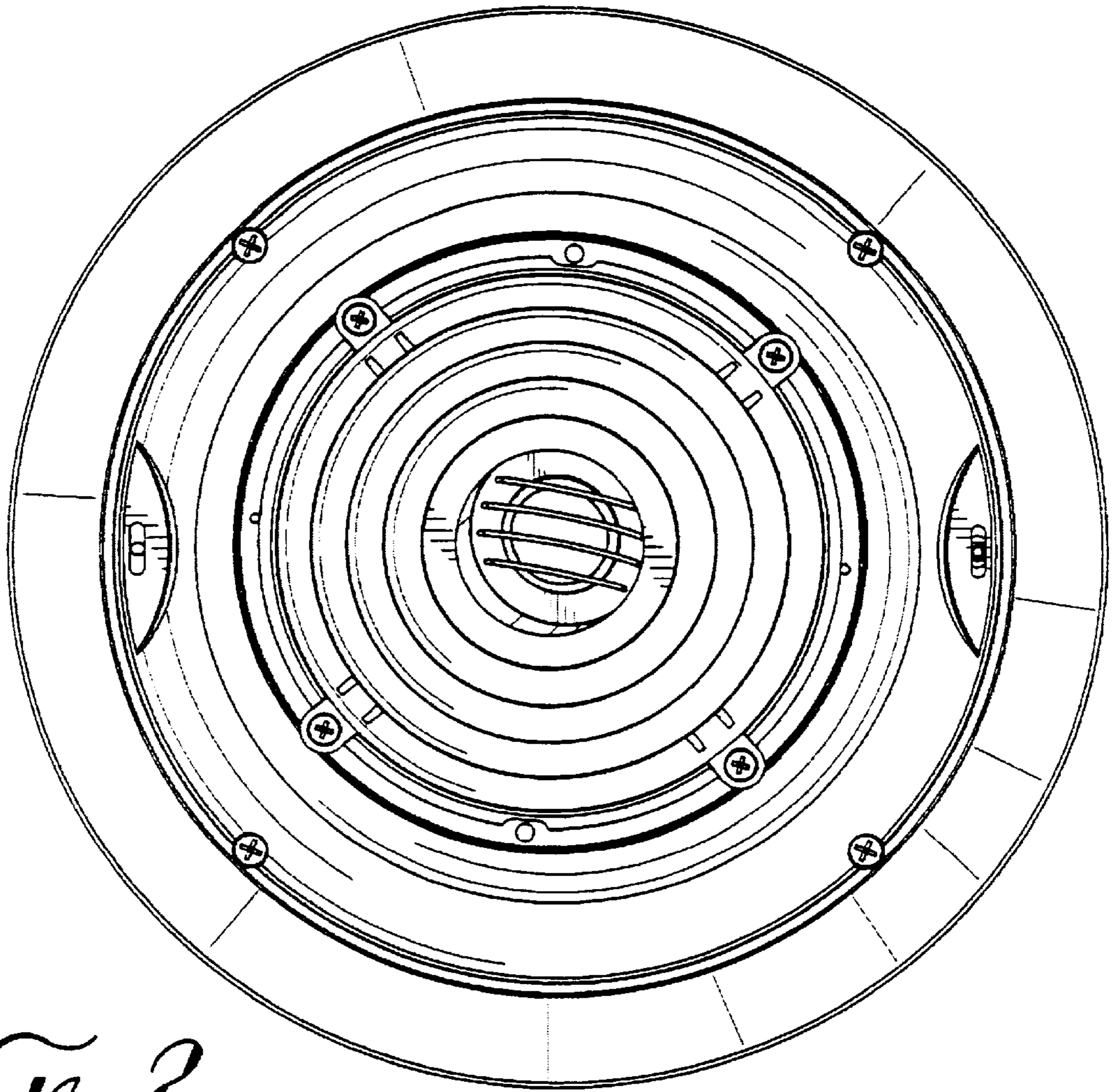


FIG. 2

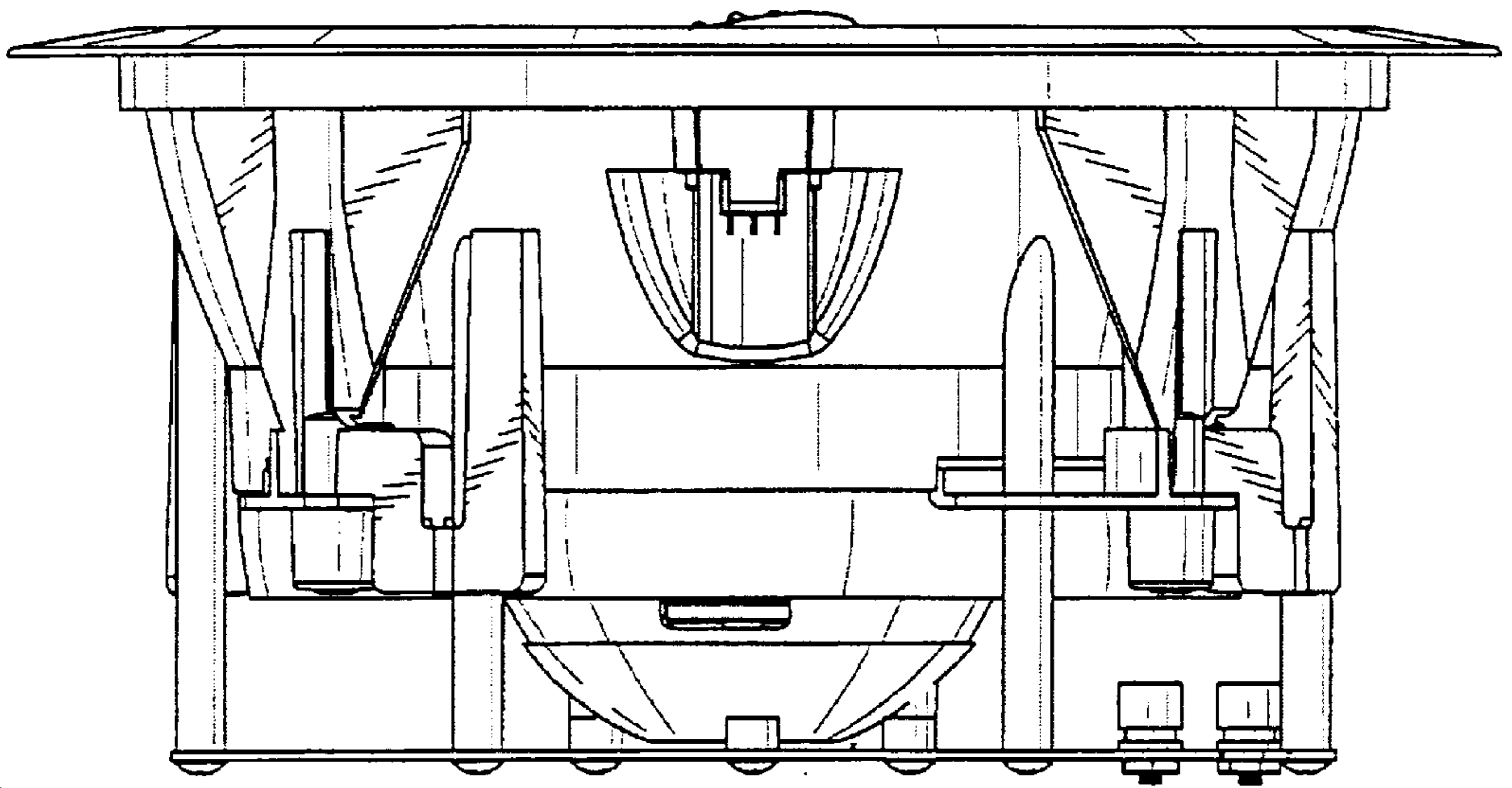


FIG. 1

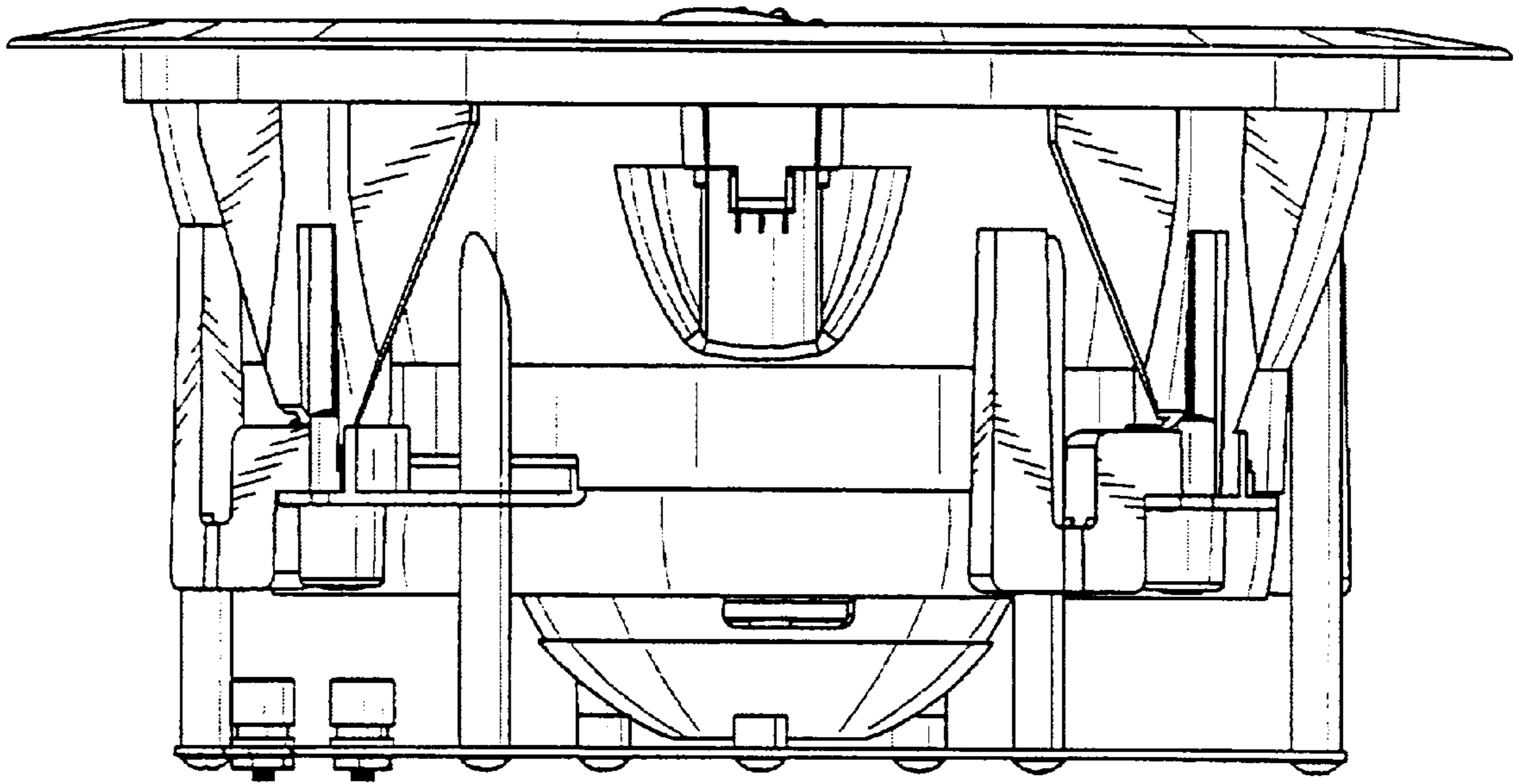


FIG. 5

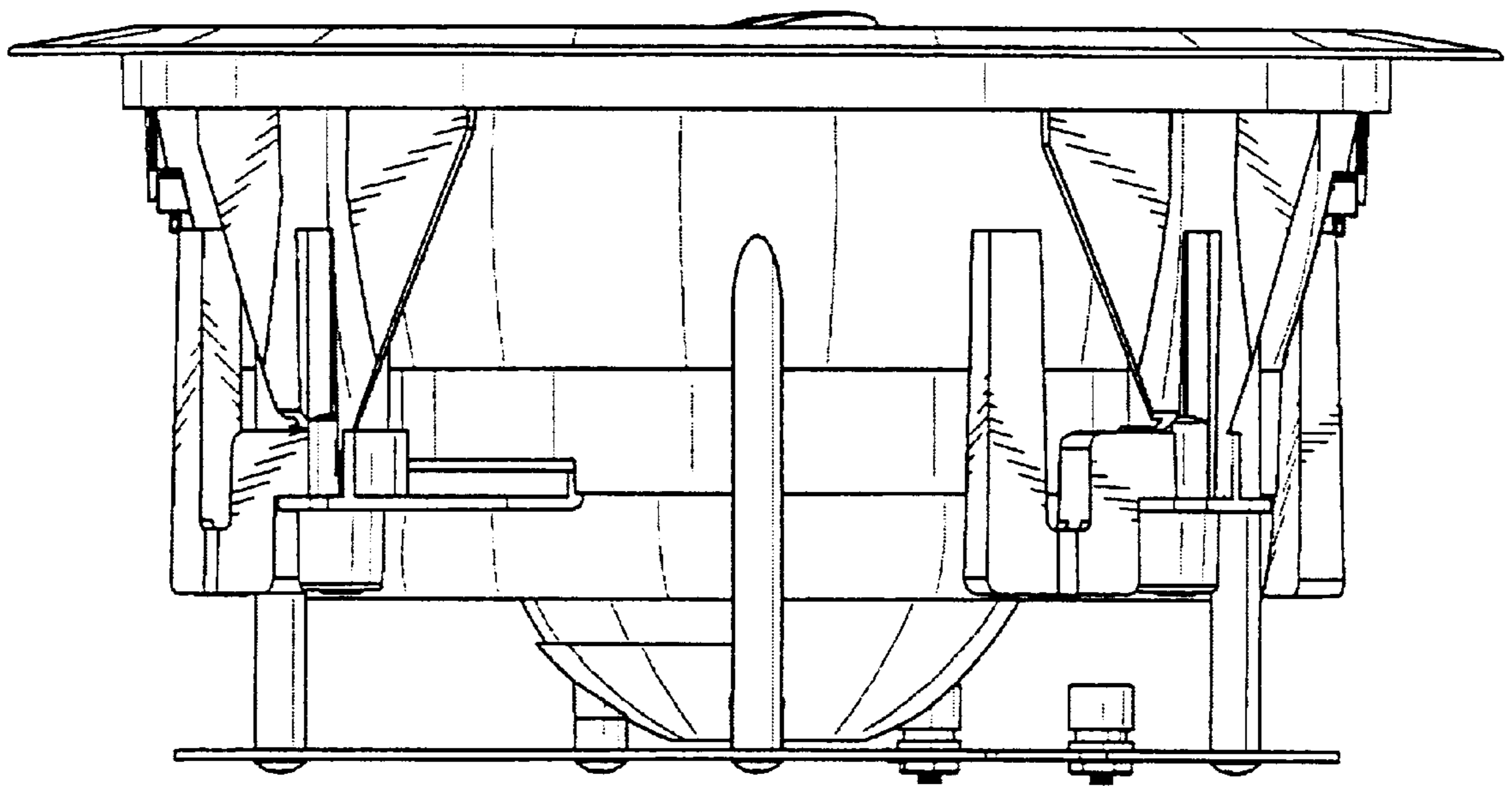


FIG. 6

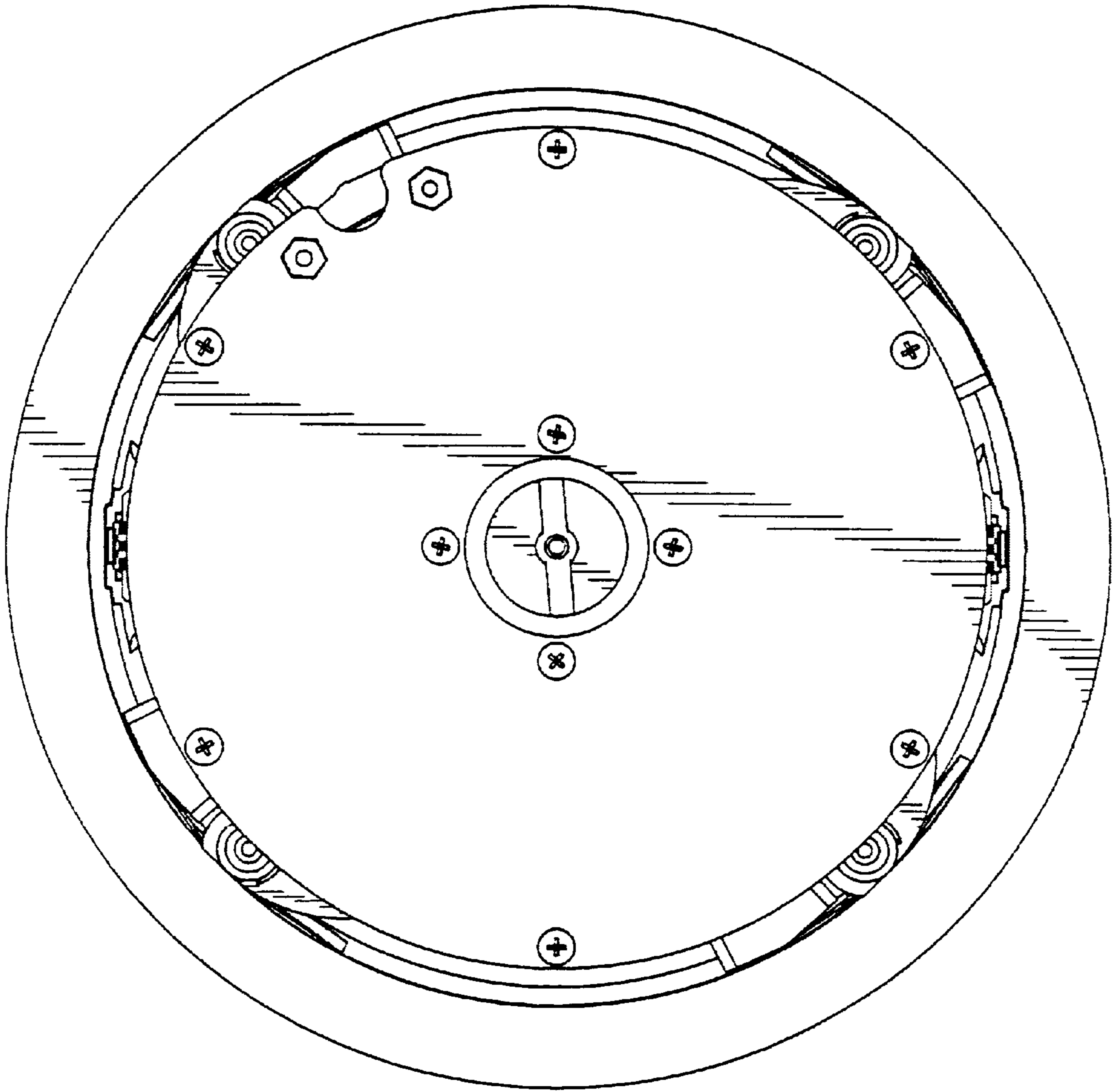


FIG. 7