



US00D419559S

# United States Patent [19]

[11] Patent Number: **Des. 419,559**

Hsu

[45] Date of Patent: **\*\* Jan. 25, 2000**

[54] **SPEAKER**

D. 268,673	4/1983	Iijima	.....	D14/214
D. 343,676	1/1994	Lim	.....	D14/214 X
D. 381,990	8/1997	Chu	.....	D14/216 X
4,126,213	11/1978	McDonald	.....	D3/279 X

[75] Inventor: **Kuo-Sheng Hsu**, Chiayi, Taiwan

[73] Assignee: **Chiayo Electronics Co., Ltd.**, Chiayi, Taiwan

*Primary Examiner*—Nanda Bondade

[\*\*] Term: **14 Years**

### [57] CLAIM

[21] Appl. No.: **29/099,992**

The ornamental design for a speaker, as shown and described.

[22] Filed: **Feb. 1, 1999**

### DESCRIPTION

[51] **LOC (7) Cl.** ..... **14-01**

FIG. 1 is a perspective view of speaker showing my design;  
 FIG. 2 is a front elevational view thereof;  
 FIG. 3 is a rear elevational view thereof;  
 FIG. 4 is a left side elevational view thereof;  
 FIG. 5 is a right side elevational view thereof;  
 FIG. 6 is a top plan view thereof; and,  
 FIG. 7 is a bottom plan view thereof; and,  
 FIG. 8 is a perspective view thereof in use; the broken line showing of the human figure is for illustrative purposes only and forms no part of the claimed design.

[52] **U.S. Cl.** ..... **D14/214**

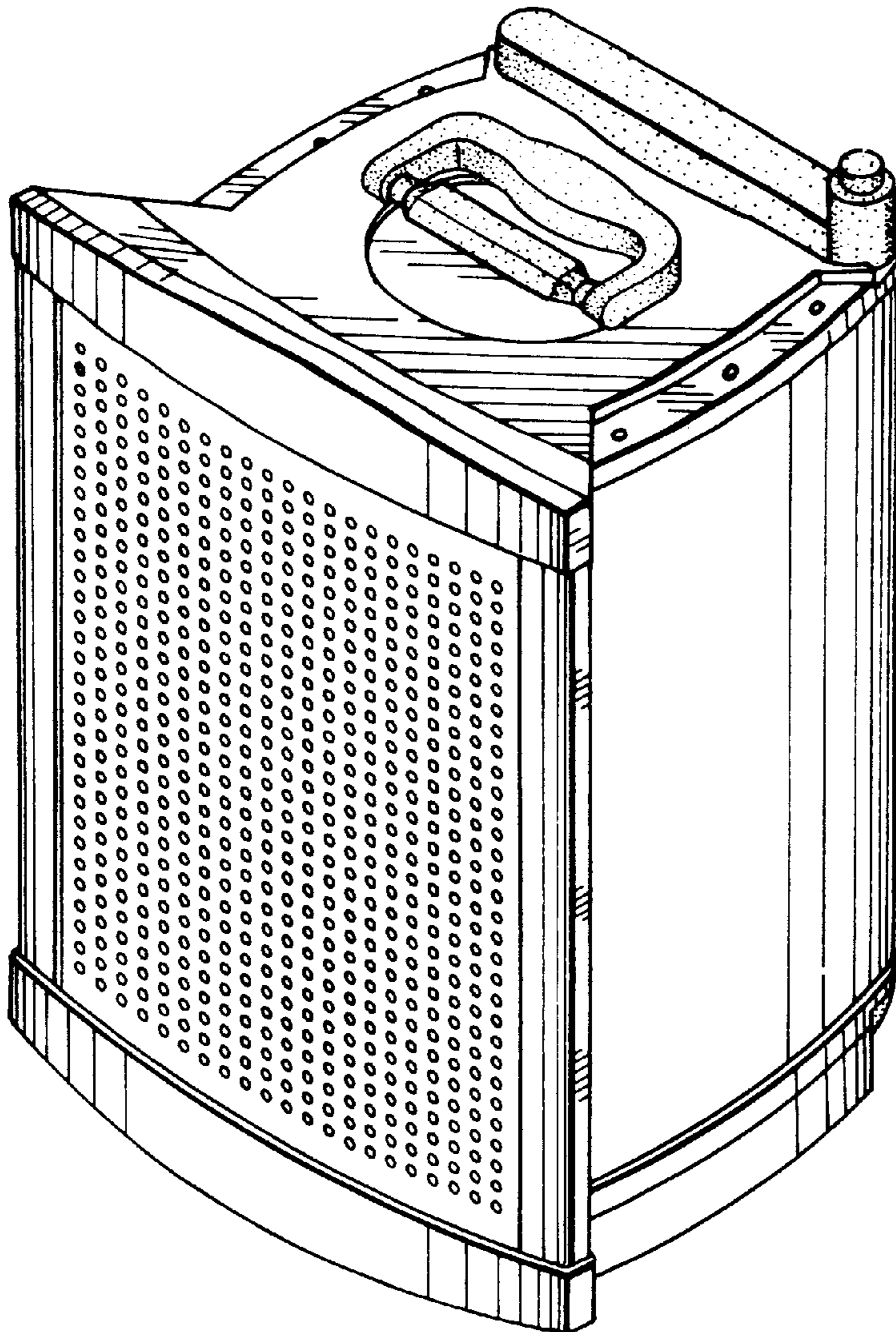
[58] **Field of Search** ..... D3/279; D14/204, D14/207, 209-216; 181/144, 145, 147, 148, 150, 153, 157, 198, 199; 381/24, 88, 90-91, 153, 159, 186, 188

### [56] References Cited

#### U.S. PATENT DOCUMENTS

D. 256,118 7/1980 Kornblum ..... D14/214

**1 Claim, 5 Drawing Sheets**



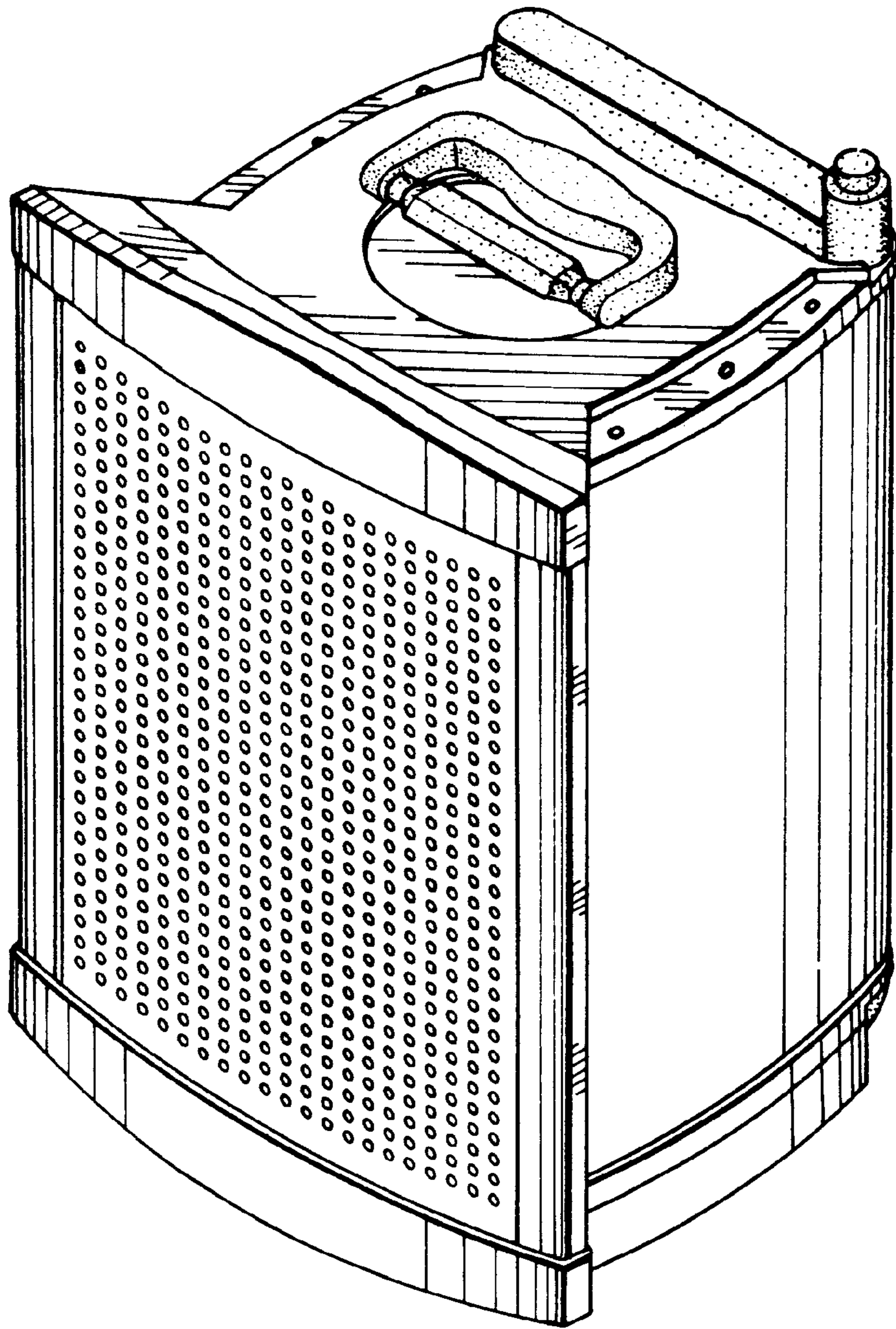


FIG. 1

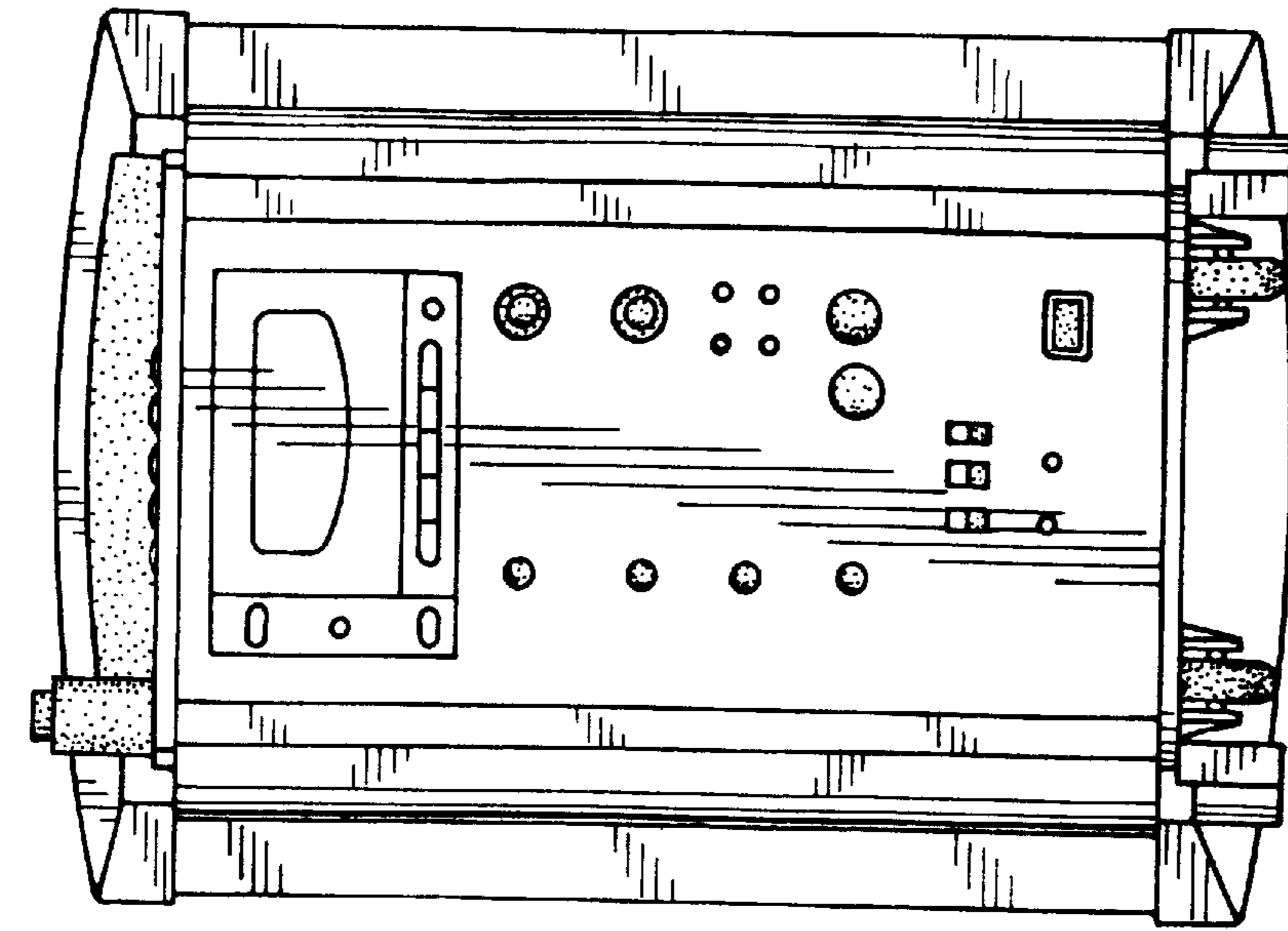


FIG. 2

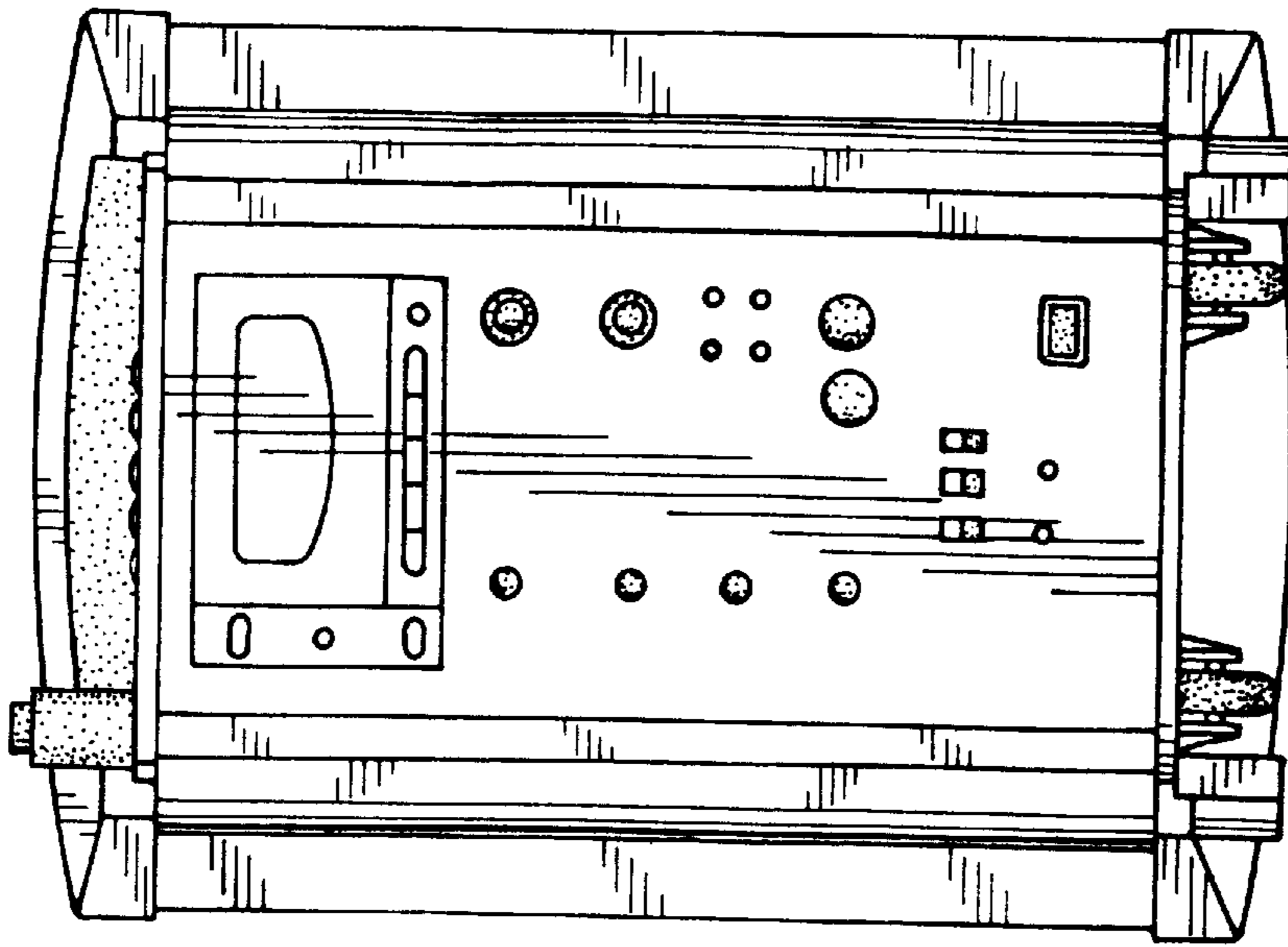


FIG. 3

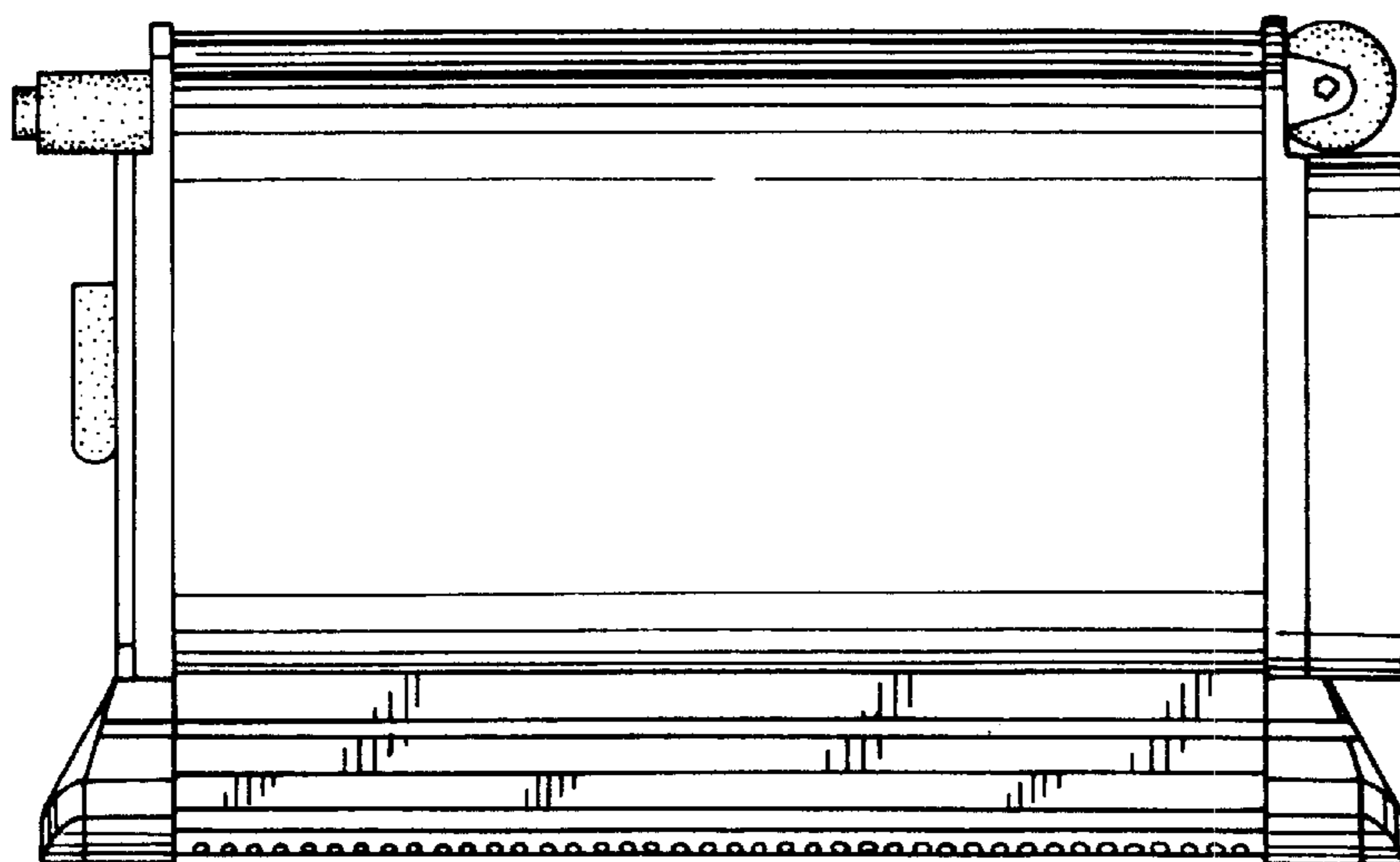


FIG 5

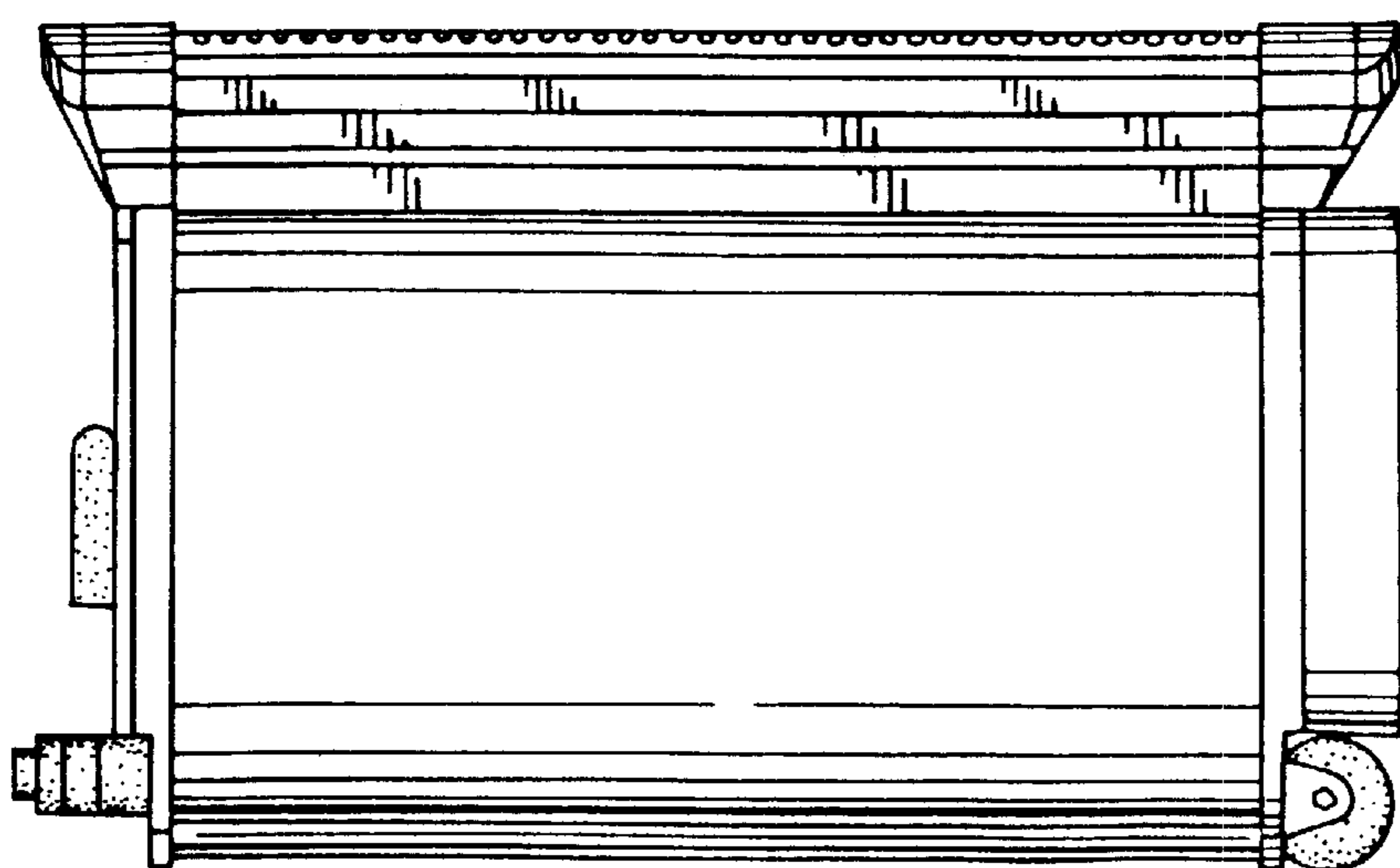


FIG. 4

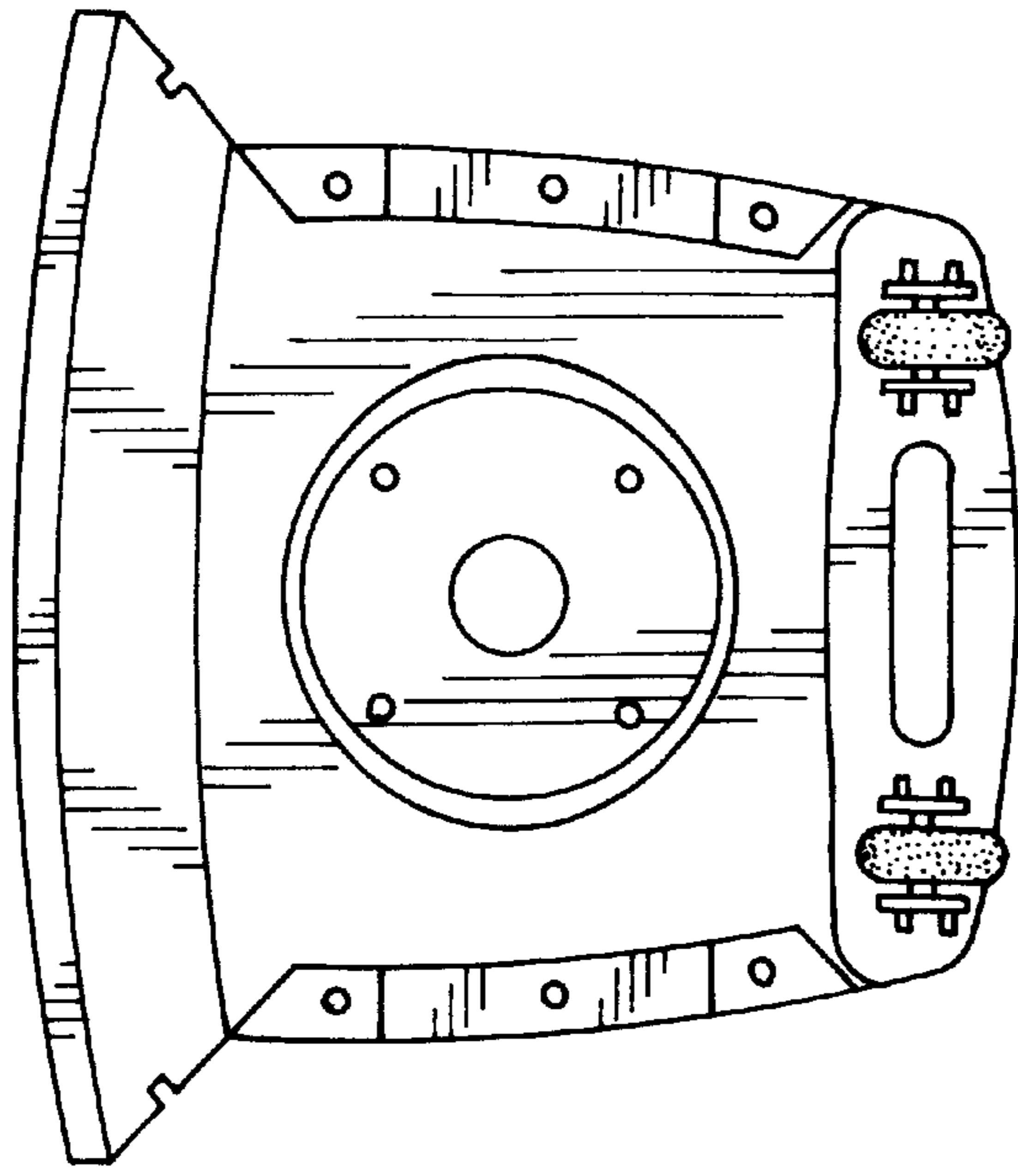


FIG. 7

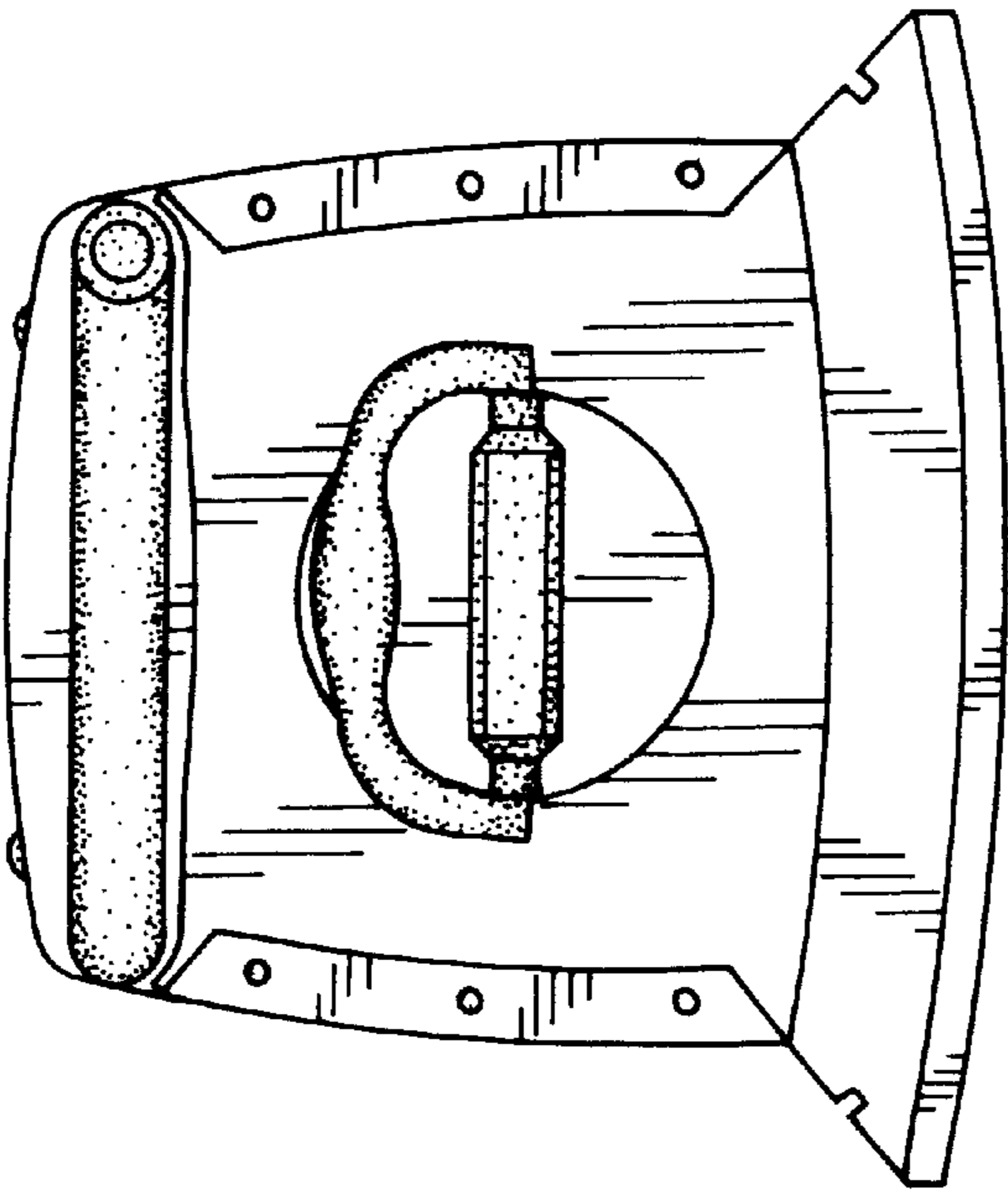


FIG. 6

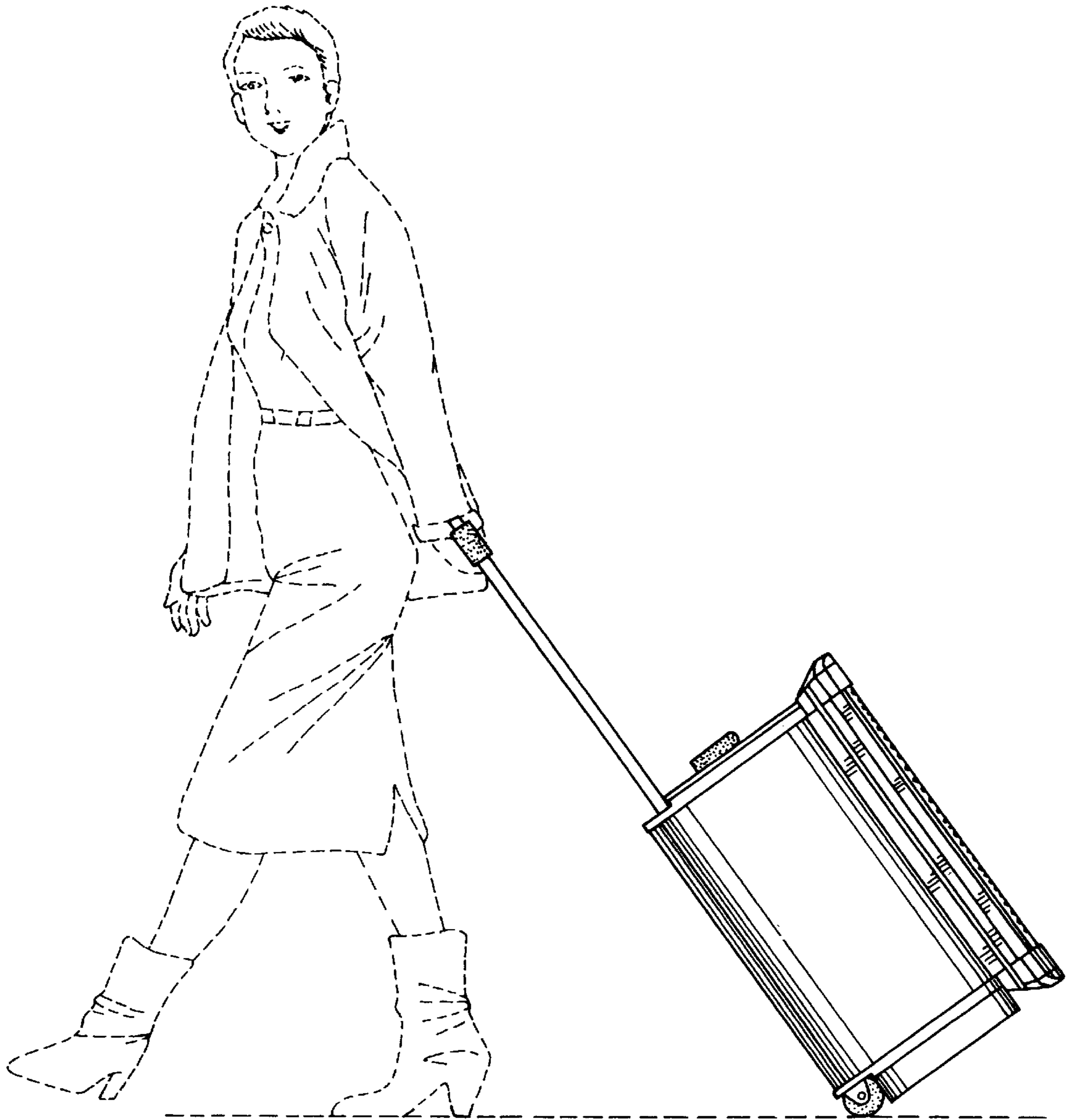


FIG. 8