



US00D419558S

# United States Patent [19] Bhavnani

[11] **Patent Number: Des. 419,558**  
[45] **Date of Patent: \*\* Jan. 25, 2000**

[54] **RADIO**

[75] Inventor: **Dilip K. Bhavnani**, Beverly Hills, Calif.

[73] Assignee: **Sun Coast Merchandise Corporation**, Commerce, Calif.

[\*\*] Term: **14 Years**

[21] Appl. No.: **29/096,963**

[22] Filed: **Nov. 24, 1998**

[51] **LOC (7) Cl.** ..... **14-03**

[52] **U.S. Cl.** ..... **D14/194; D14/198**

[58] **Field of Search** ..... D14/124, 137,  
D14/156, 162, 164, 168, 170, 171, 188,  
193-198, 265, 204, 214; 455/344, 347,  
350, 351

[56] **References Cited**

**U.S. PATENT DOCUMENTS**

D. 301,846	6/1989	Beyer	.....	D14/196 X
D. 305,234	12/1989	Brandsma	.....	D14/194
D. 344,729	3/1994	Mueller	.....	D14/194

**OTHER PUBLICATIONS**

Bose Corp.'s all in-one music system, Apr. 1985.

*Primary Examiner*—Nanda Bondade  
*Attorney, Agent, or Firm*—Sheldon & Mak; Denton L. Anderson

[57] **CLAIM**

The ornamental design for a radio, as shown and described.

**DESCRIPTION**

FIG. 1 is a front perspective view of a radio showing my new design;

FIG. 2 is a front view thereof,

FIG. 3 is a top plan view thereof,

FIG. 4 is a left side view thereof,

FIG. 5 is a right side view thereof,

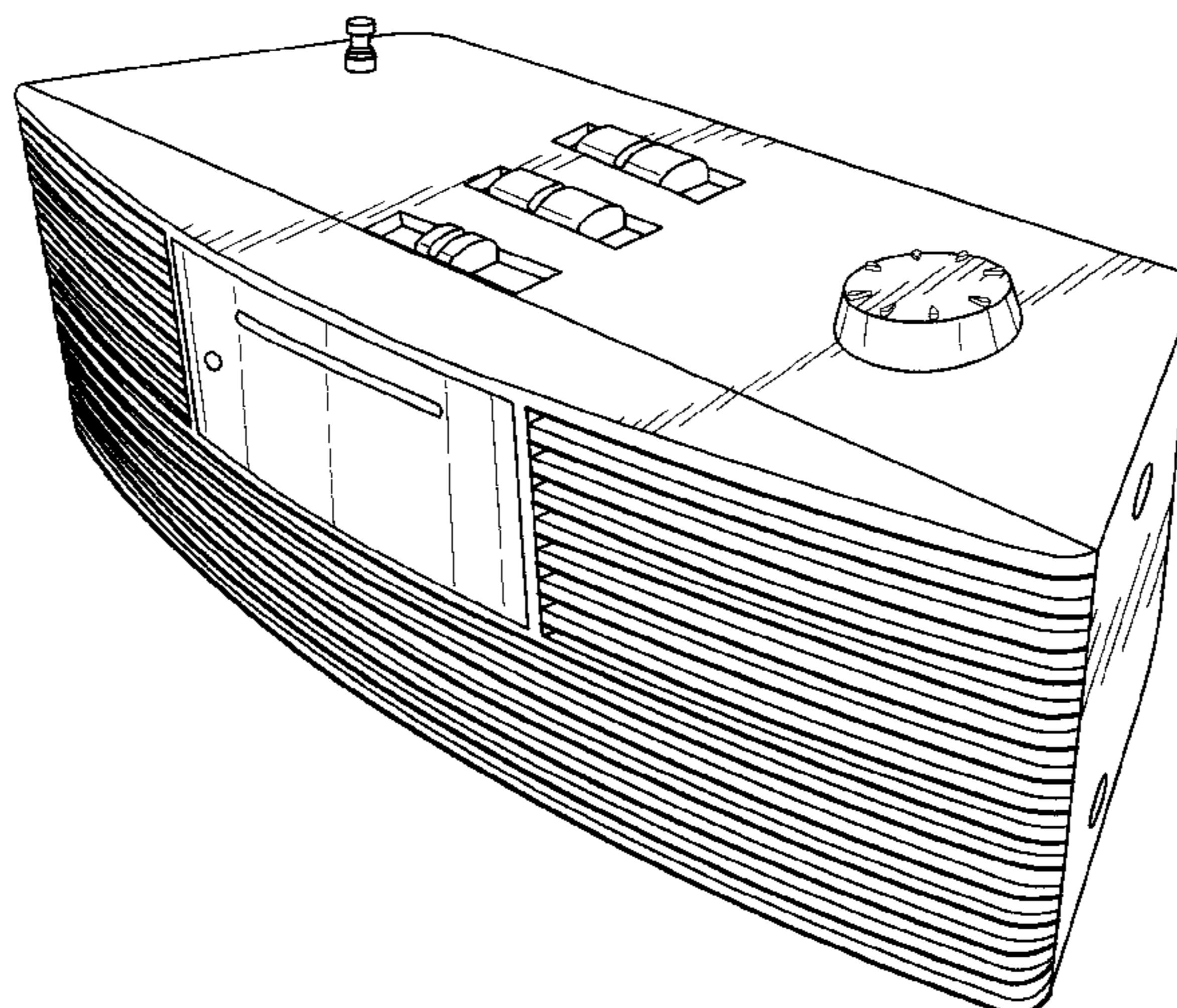
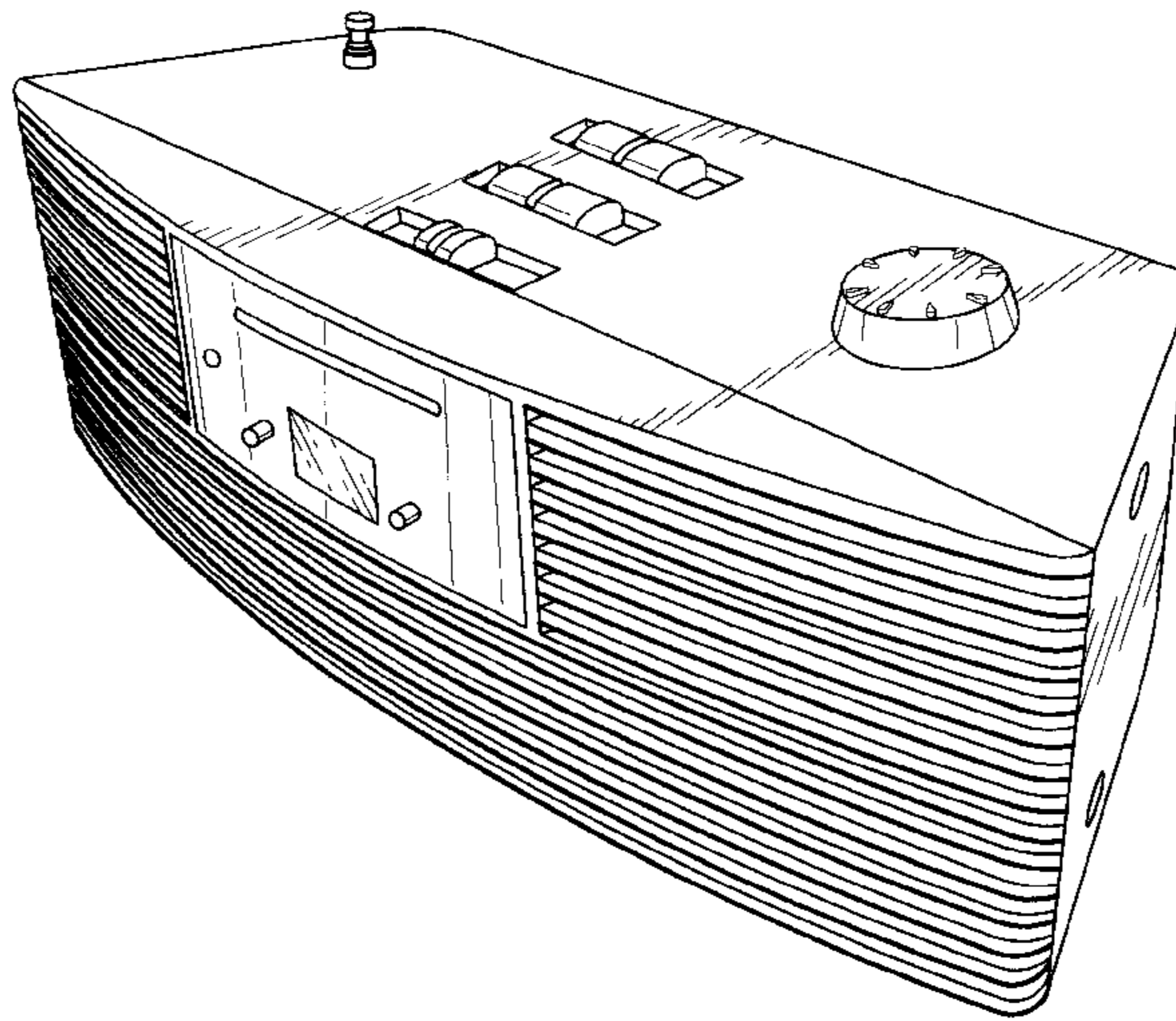
FIG. 6 is rear view thereof,

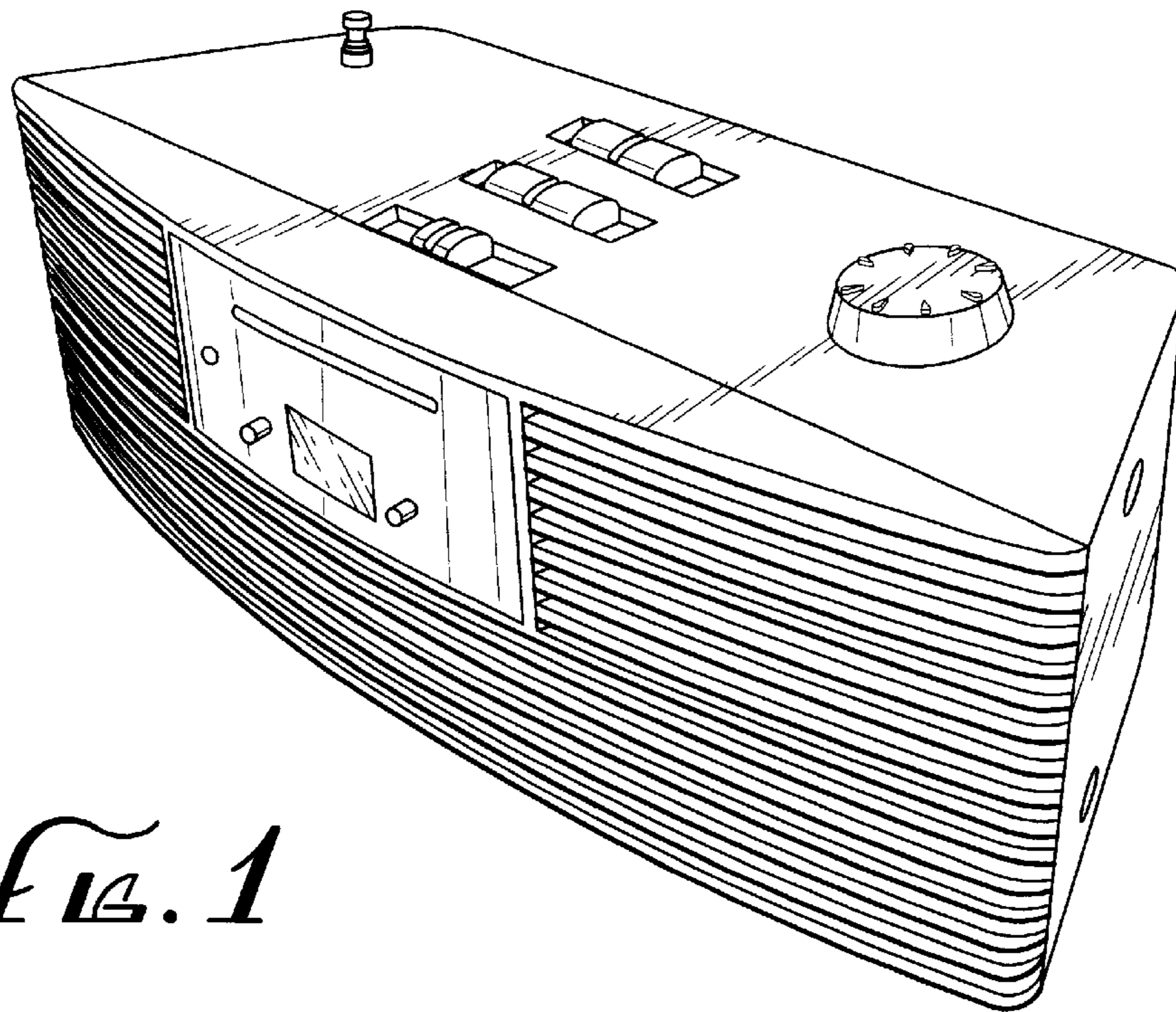
FIG. 7 is a bottom plan view thereof,

FIG. 8 is a front perspective view of an second embodiment of FIG. 1; and,

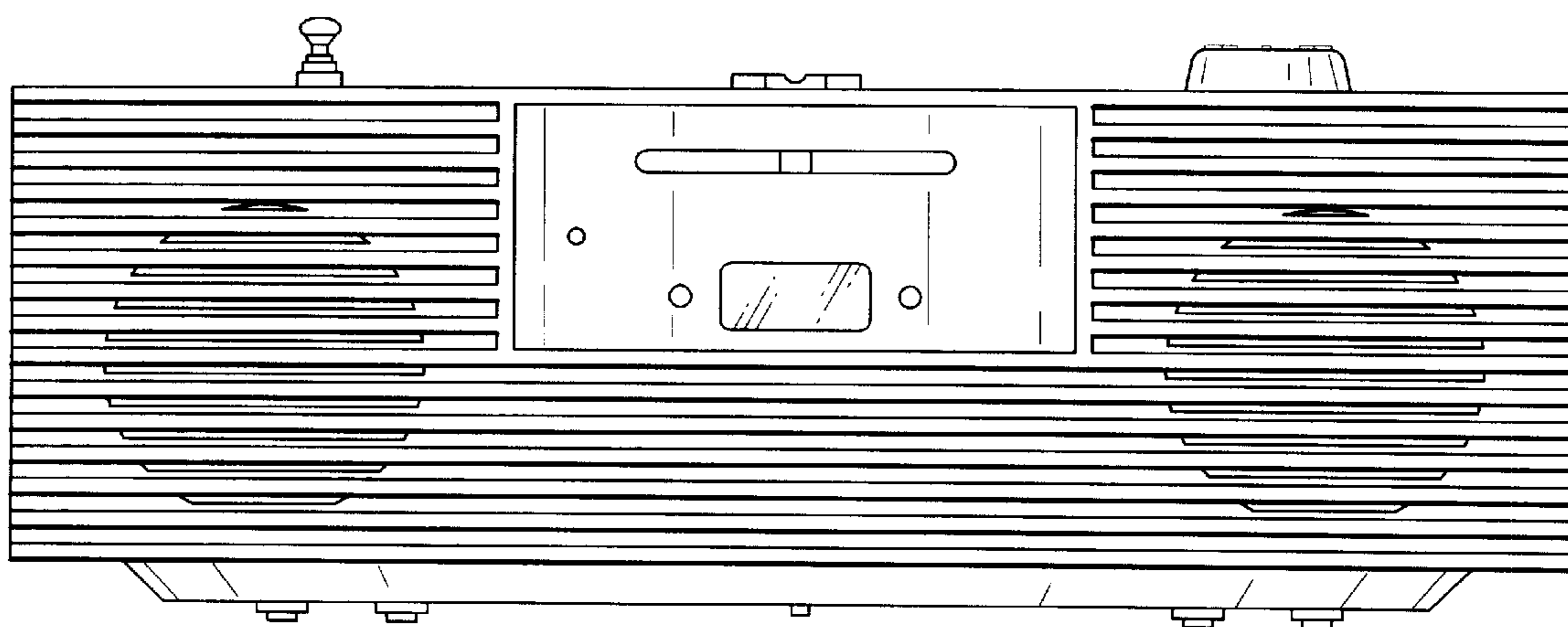
FIG. 9 is a front view of FIG. 8, the remaining views of the second embodiment being the same as the first embodiment.

**1 Claim, 4 Drawing Sheets**

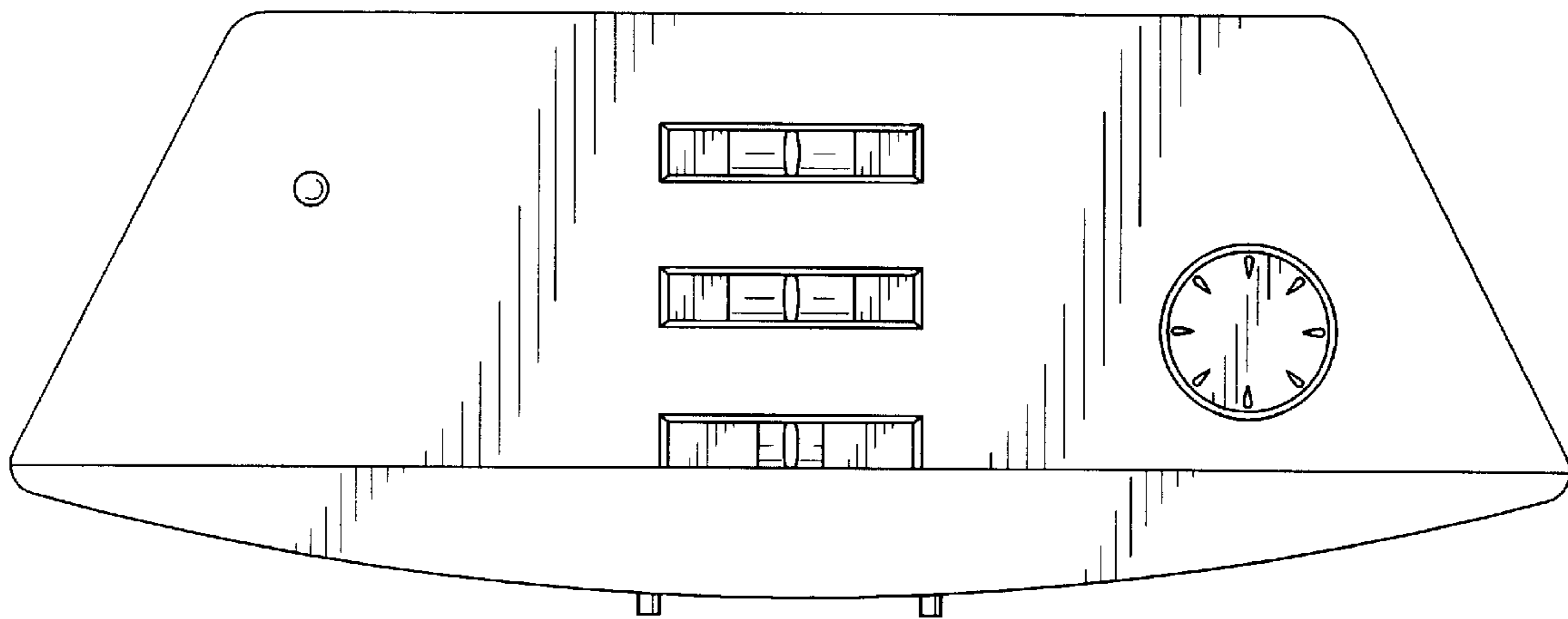




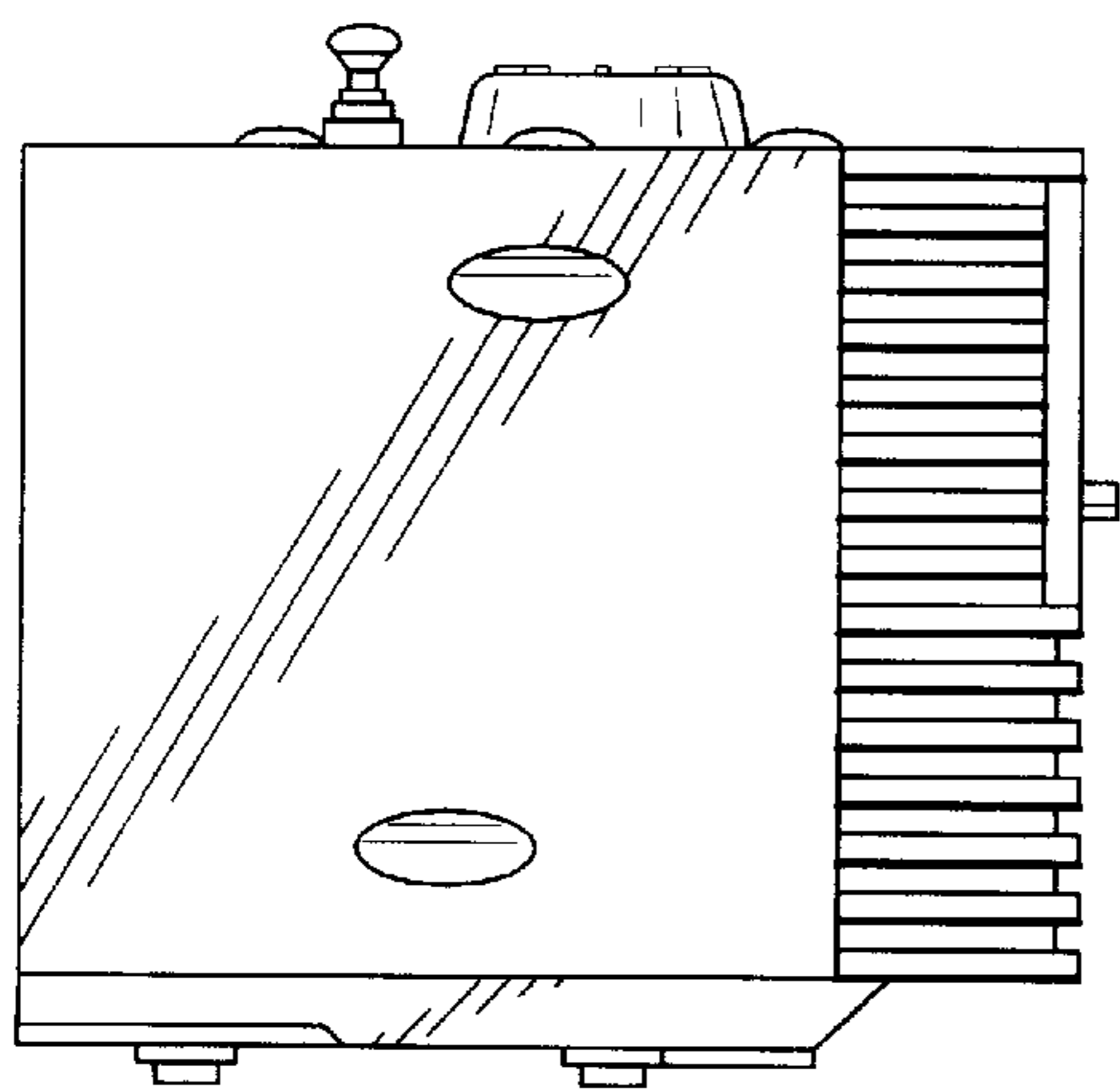
*FIG. 1*



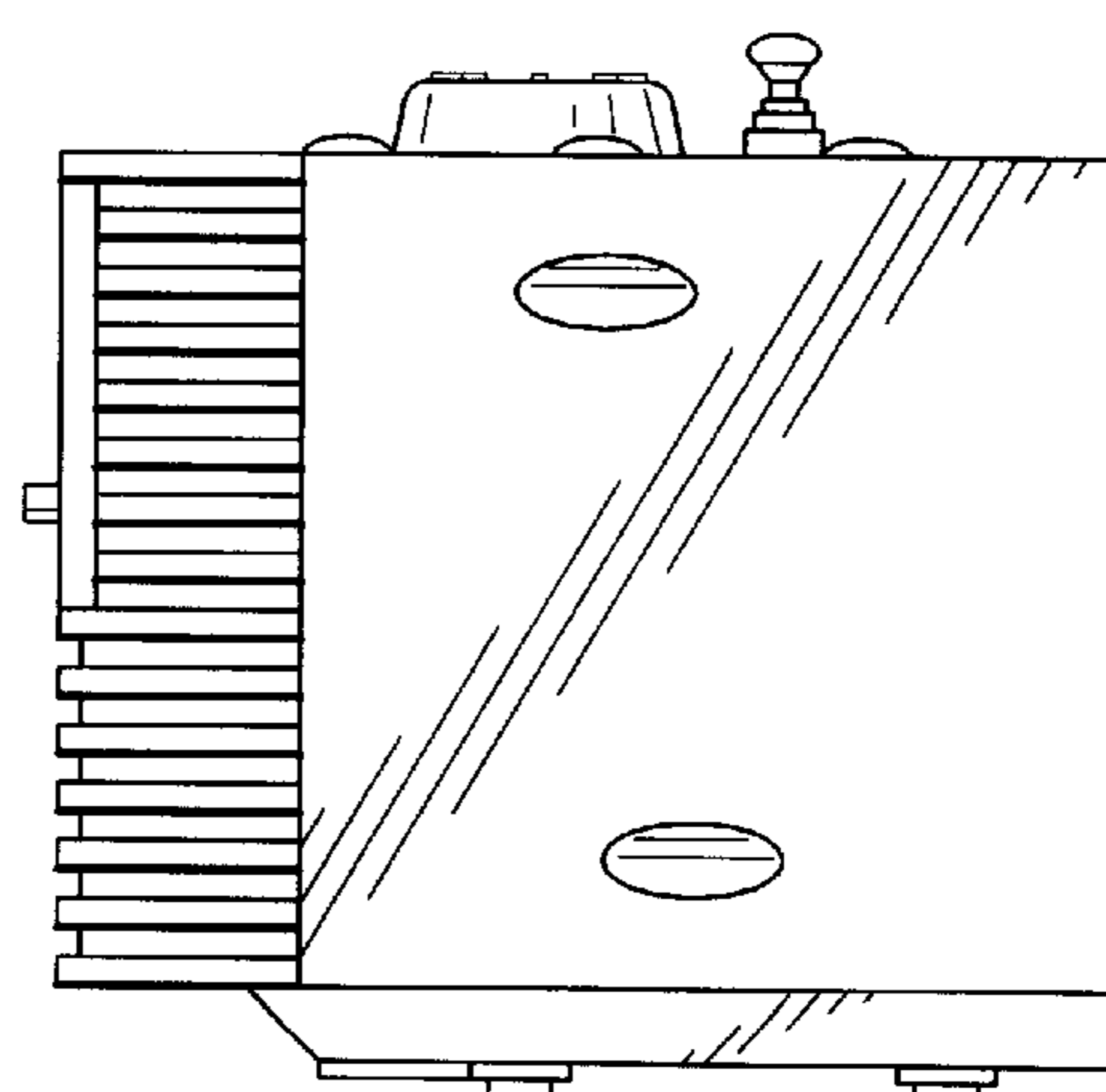
*FIG. 2*



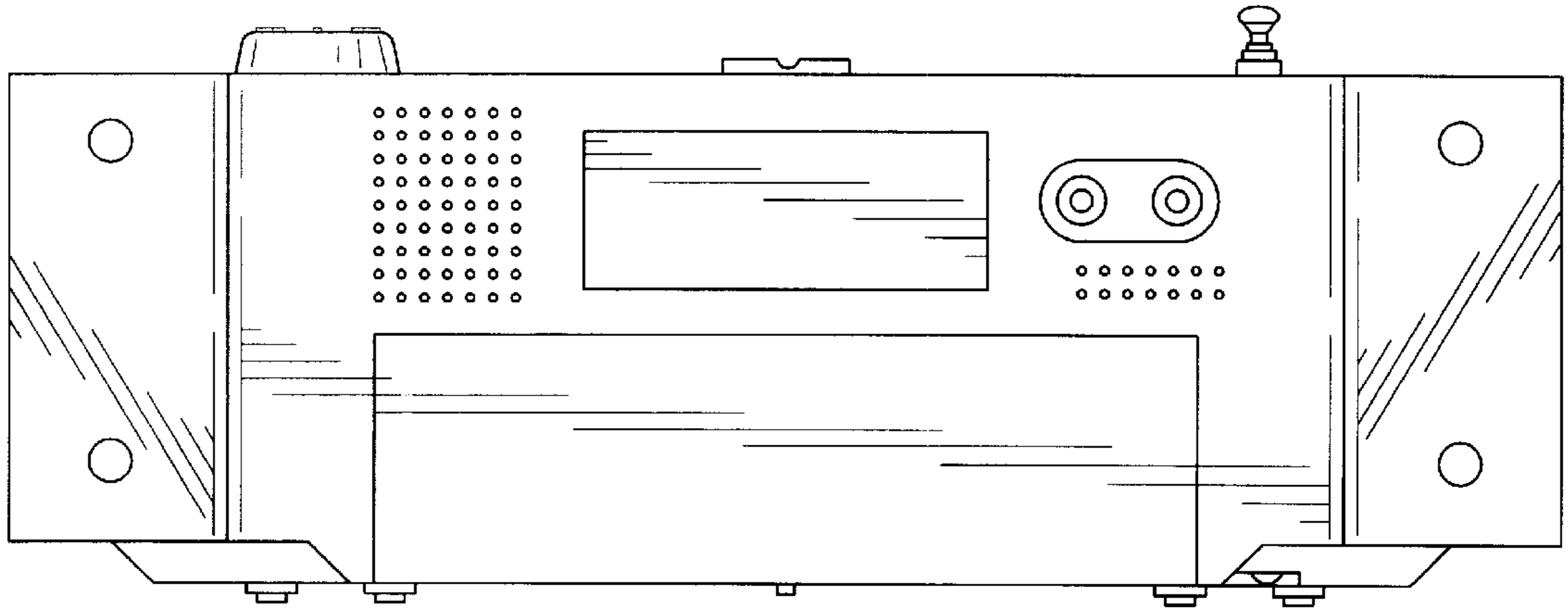
*FIG. 3*



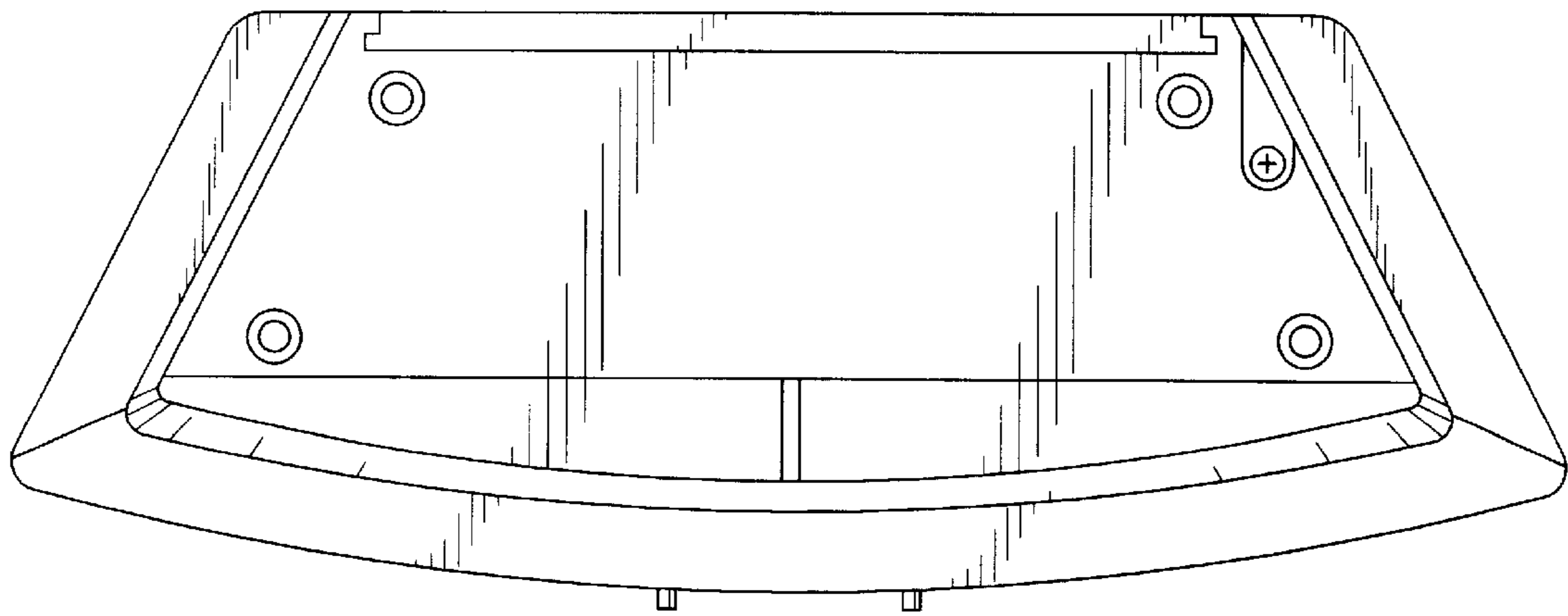
*FIG. 4*



*FIG. 5*

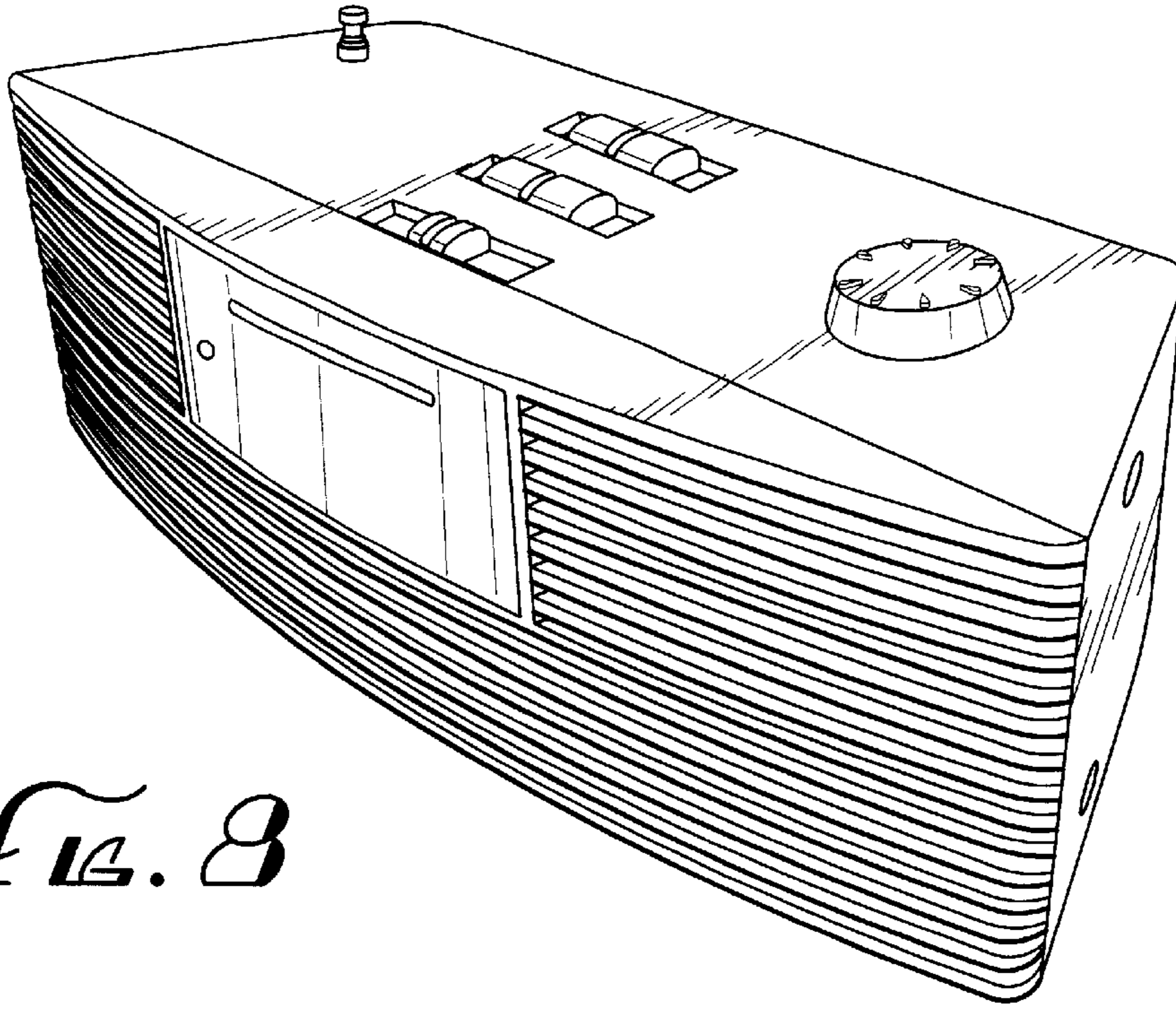


*FIG. 6*

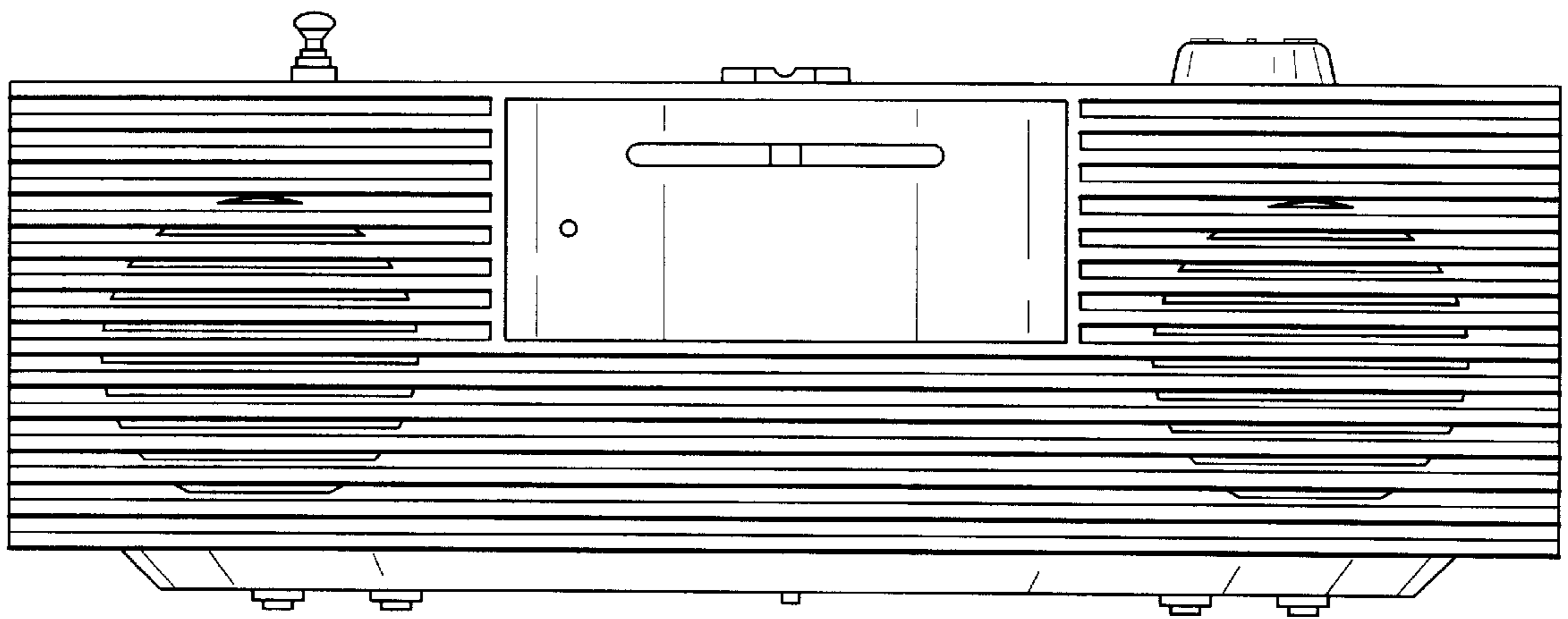


*FIG. 7*





*FIG. 8*



*FIG. 9*