



US00D419552S

United States Patent [19]

Passman et al.

[11] Patent Number: **Des. 419,552**

[45] Date of Patent: **** Jan. 25, 2000**

[54] **HOUSING FOR A PORTABLE COMMUNICATIONS DEVICE**

[75] Inventors: **Paige M. Passman**, Barrington, Ill.;
Michael J. Page, Aventura, Fla.;
Joseph R. Rauch, Cary, Ill.

[73] Assignee: **Motorola, Inc.**, Schaumburg, Ill.

[**] Term: **14 Years**

[21] Appl. No.: **29/104,619**

[22] Filed: **May 10, 1999**

[51] **LOC (7) Cl.** **14-03**

[52] **U.S. Cl.** **D14/138**

[58] **Field of Search** D14/137, 138,
D14/147-148, 247-248, 250, 240, 140-142;
379/433, 434, 419, 420, 428, 440; 455/550-575,
90

[56] **References Cited**

U.S. PATENT DOCUMENTS

D. 211,362	6/1968	Janda	D14/147
D. 231,363	4/1974	Dachau	D14/147
D. 299,648	1/1989	Yoshiharu	D14/147
D. 326,449	5/1992	Wachob et al.	D14/138
D. 336,087	6/1993	Siddoway et al.	..	
D. 367,649	3/1996	Richards et al.	D14/138
D. 368,473	4/1996	Nijijima et al.	D14/138
D. 376,594	12/1996	Hogg et al.	D14/148
D. 383,746	9/1997	Richards et al.	D14/137 X

D. 408,030	4/1999	Richards et al.	D14/138
D. 410,002	5/1999	Collins	D14/138
D. 410,645	6/1999	Wood et al.	D14/138

OTHER PUBLICATIONS

German registration M94 07 981, May 1995.
Page showing Roadstar Telecommunications GSM 9600 phone, Apr. 1997.
Japanese advertisement showing Tokyo phone T-63(NE), Oct. 1995.

Primary Examiner—Jeffrey Asch
Attorney, Agent, or Firm—Frank M. Scutch, III

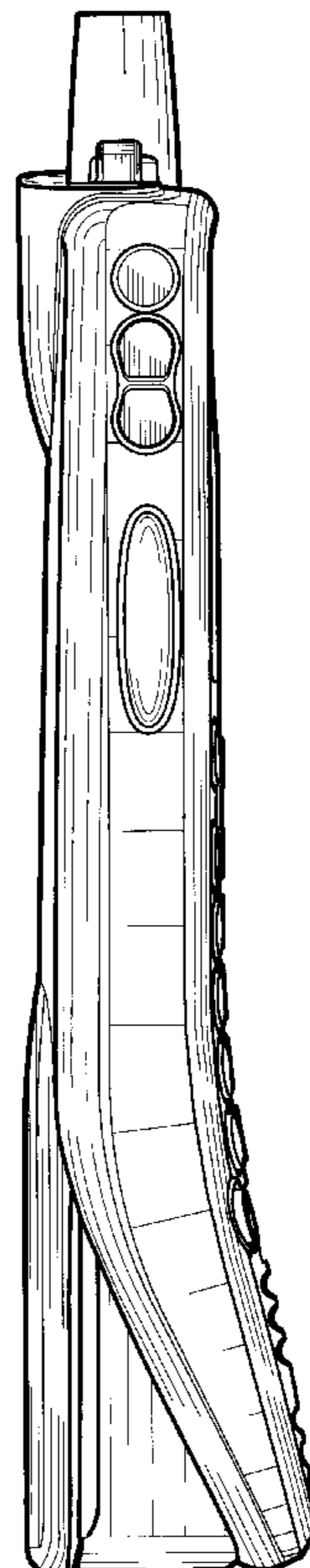
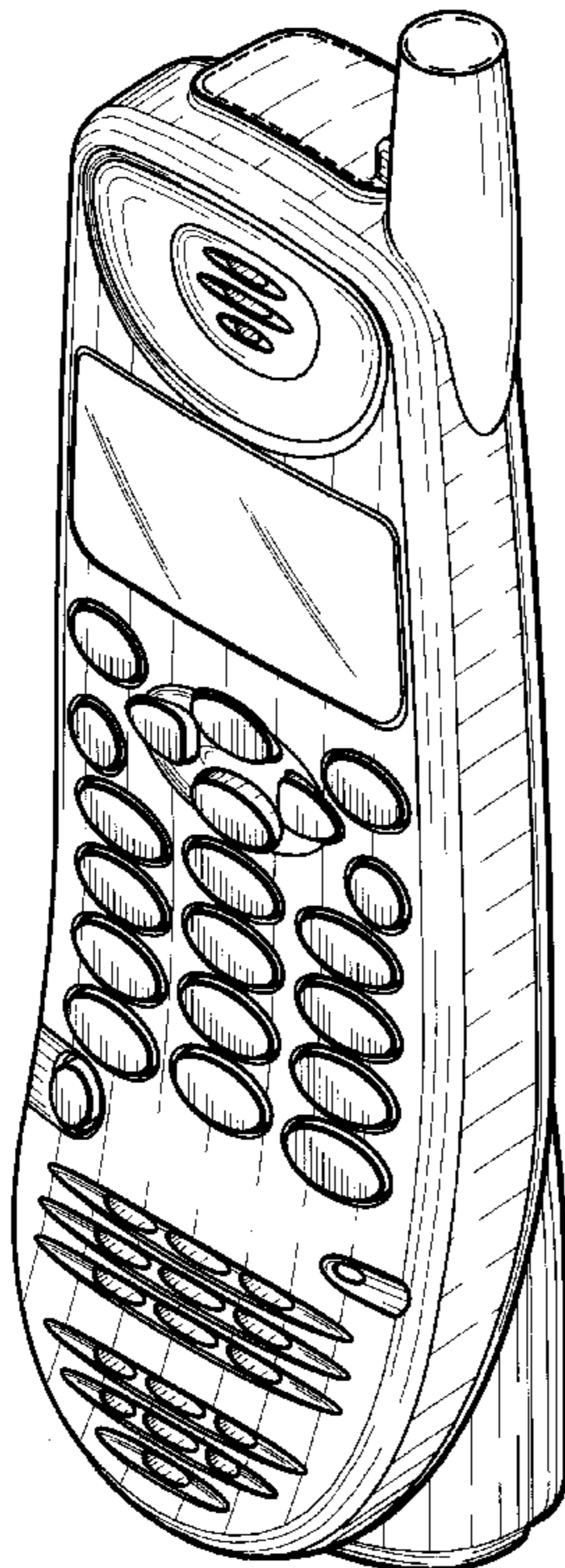
[57] **CLAIM**

The ornamental design for a housing for a portable communications device, as shown and described.

DESCRIPTION

FIG. 1 is an isometric view of housing for a portable communications device showing our new design; FIG. 2 is a front elevational view thereof; FIG. 3 is a left side view thereof; FIG. 4 is a right side view thereof; FIG. 5 is top plan view thereof; FIG. 6 is a bottom plan view thereof; and, FIG. 7 is a rear elevational view thereof. The broken lines shown in FIGS. 1 and 3-5 are included for the purpose of illustrating environmental elements only and form no part of the claimed design.

1 Claim, 5 Drawing Sheets



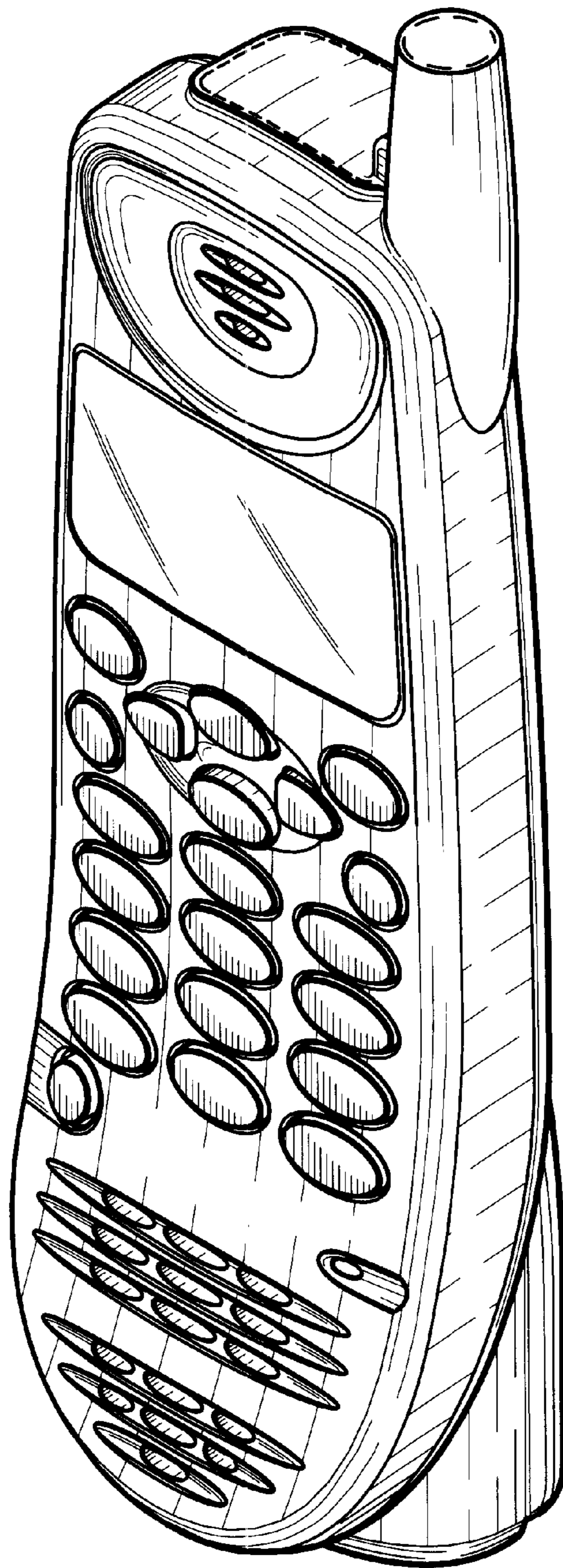


FIG. 1

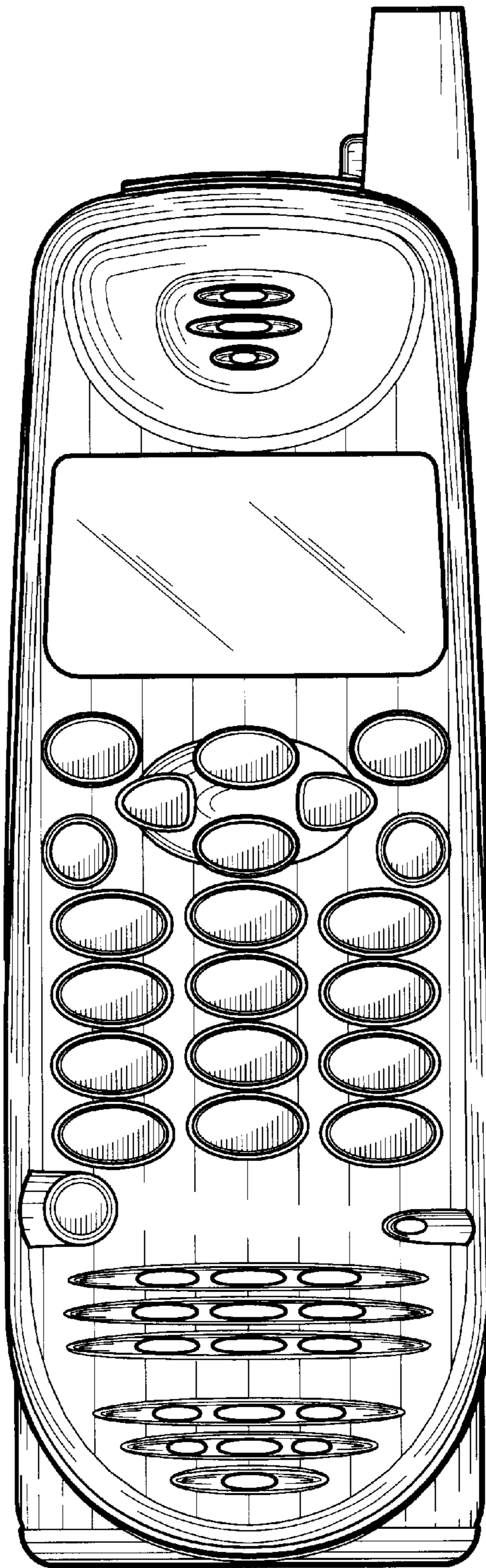


FIG. 2

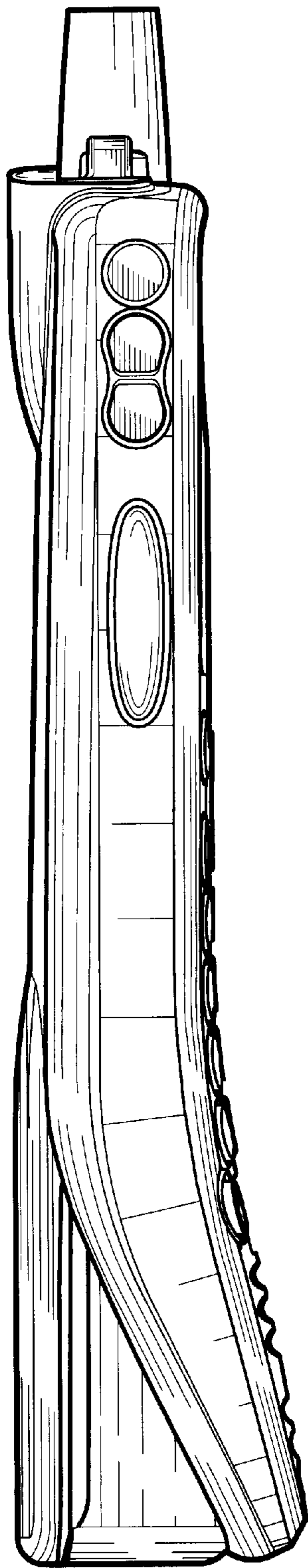


FIG. 3

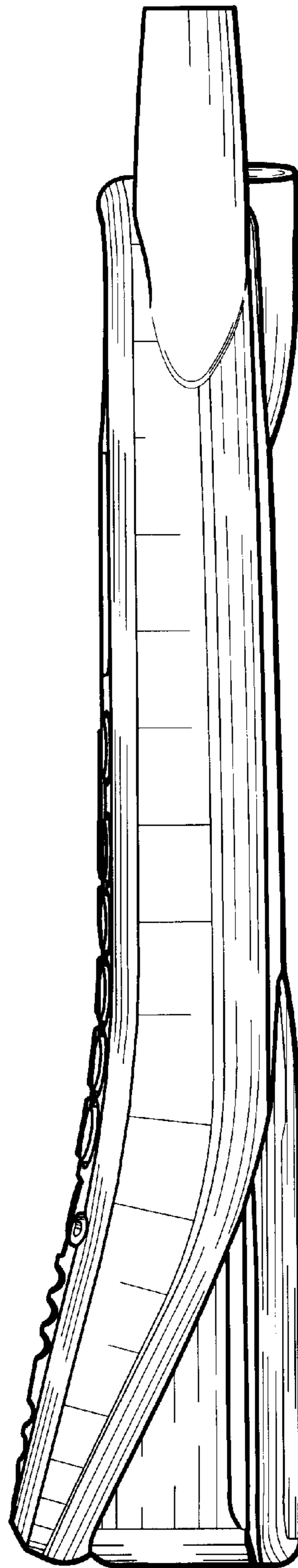


FIG. 4

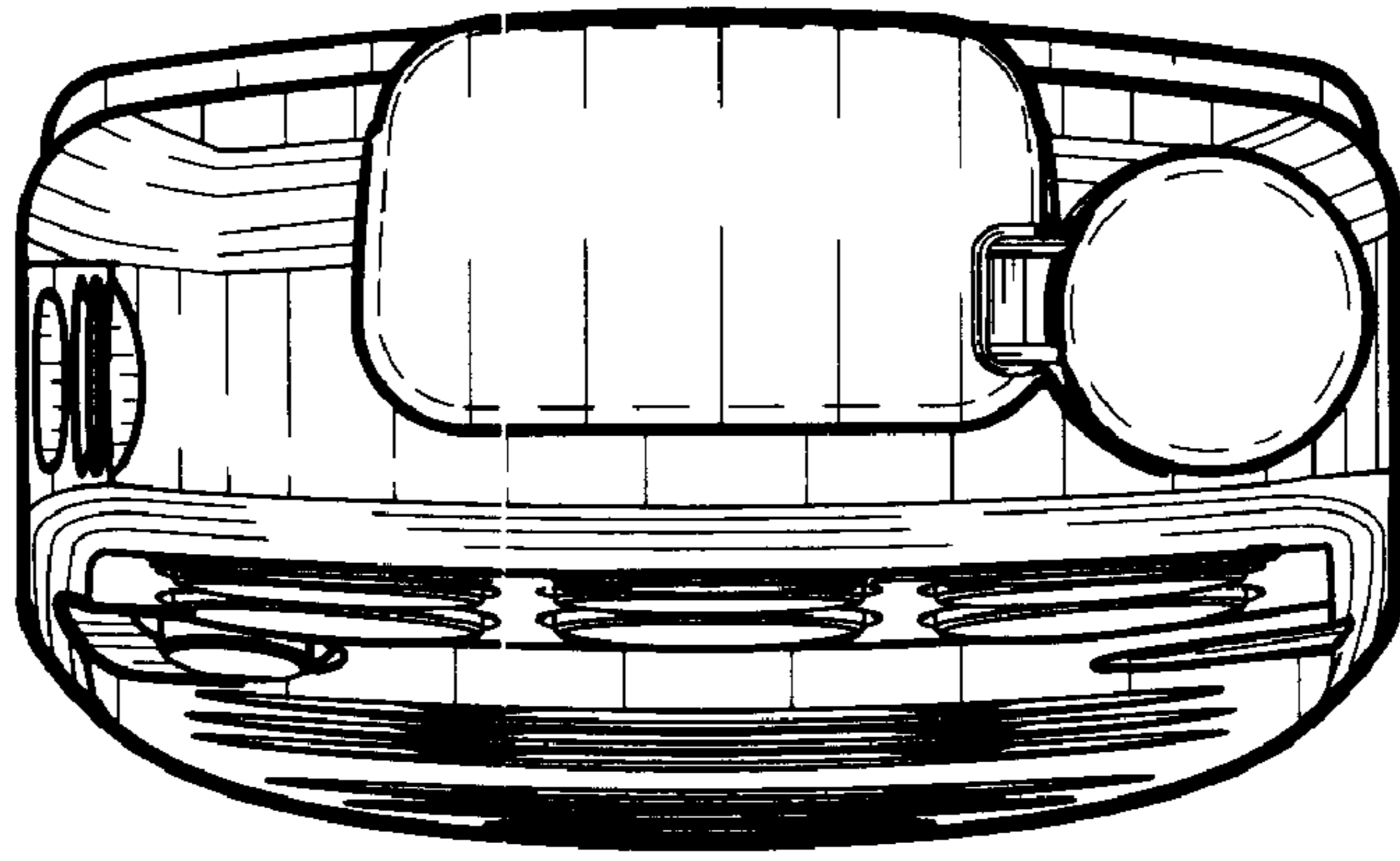


FIG. 5

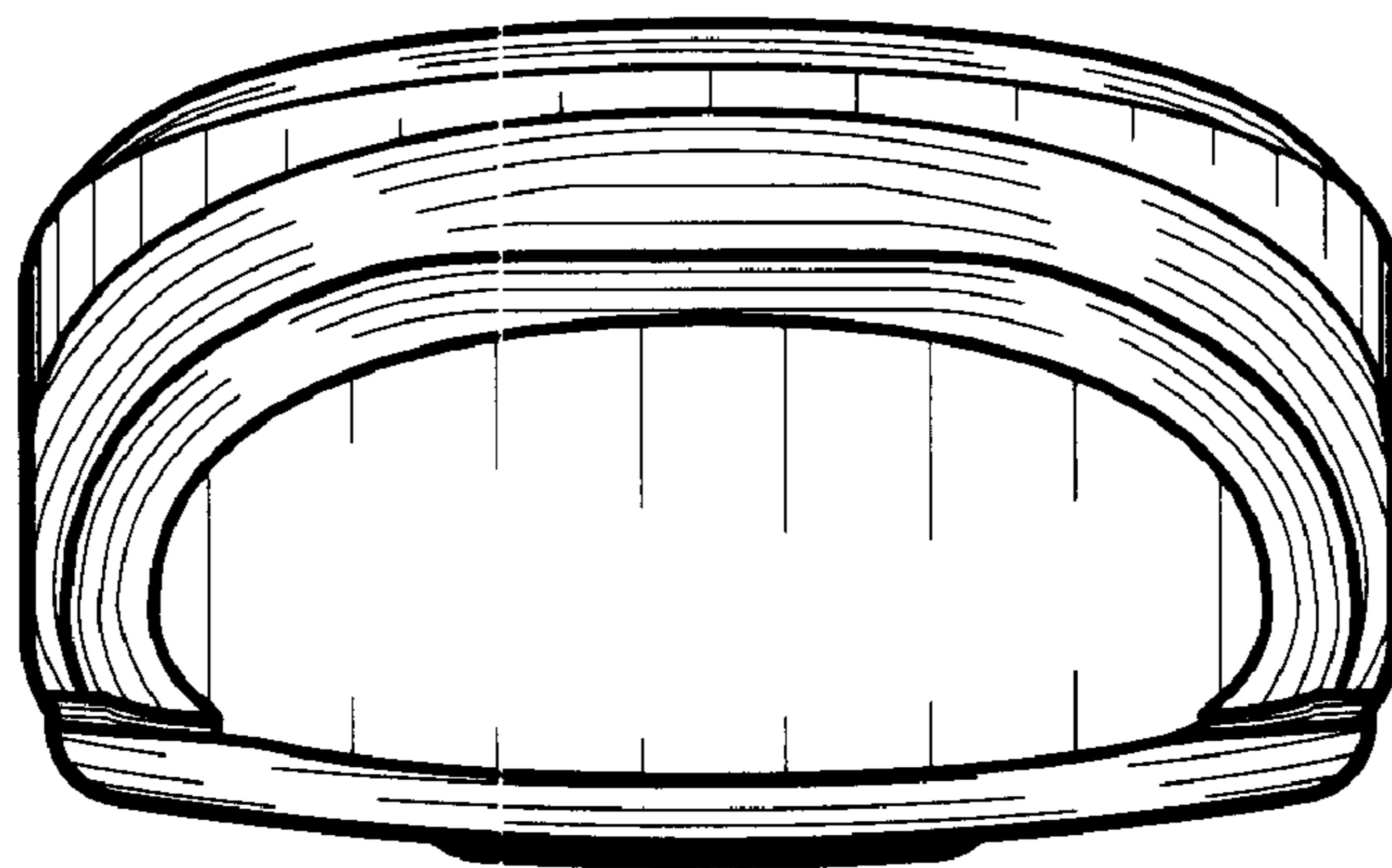


FIG. 6

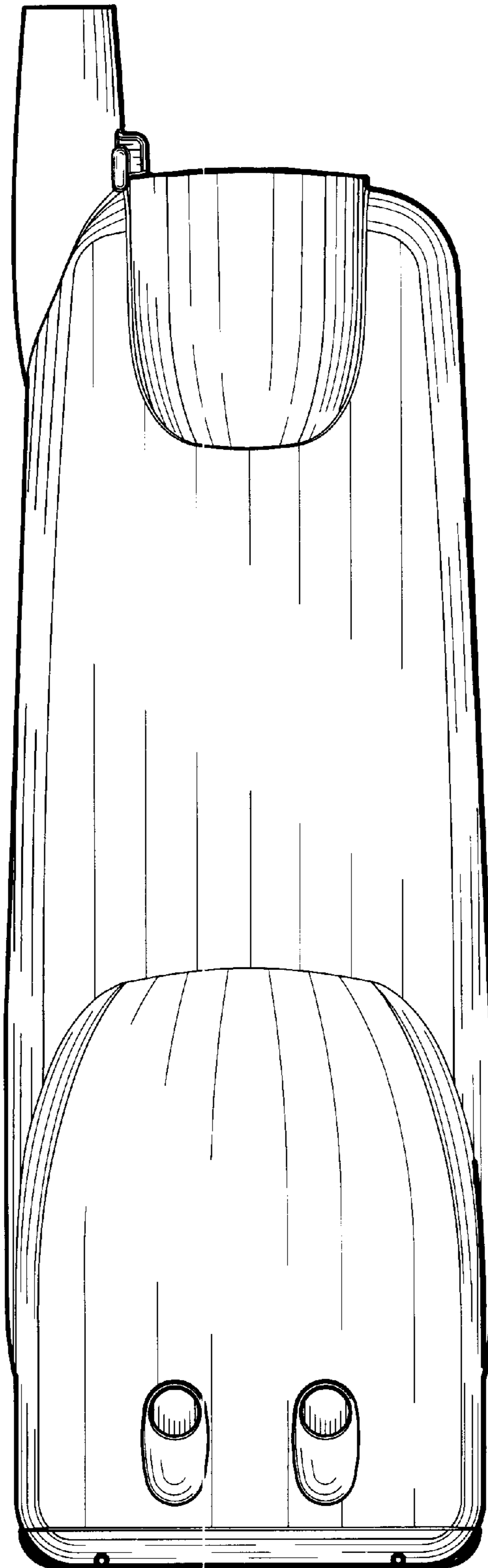


FIG. 7