



US00D419546S

**United States Patent** [19]  
**Krantz et al.**

[11] **Patent Number: Des. 419,546**  
[45] **Date of Patent: \*\* Jan. 25, 2000**

[54] **HAND HELD SCANNING TOOL**

[75] Inventors: **Norman L. Krantz**, San Jose; **John R. Stauss**, Los Gatos, both of Calif.

[73] Assignee: **Zircon Corporation**, Campbell, Calif.

[\*\*] Term: **14 Years**

[21] Appl. No.: **29/092,150**

[22] Filed: **Aug. 13, 1998**

[51] **LOC (7) Cl.** ..... **14-02**

[52] **U.S. Cl.** ..... **D14/116**

[58] **Field of Search** ..... D14/114, 116,  
D14/100, 107; D19/41-51; 235/375, 378,  
385, 454, 462.15, 472.02, 486; 382/312-5,  
318-9, 321; 250/203.1, 216; D26/37, 45,  
50

[56] **References Cited**

**U.S. PATENT DOCUMENTS**

D. 325,574	4/1992	Carver	.....	D14/116
D. 342,064	12/1993	Harden	.....	D14/116
D. 352,938	11/1994	Karlin	.....	D14/116
D. 371,550	7/1996	Tomkiewicz	.....	D14/116
D. 391,555	3/1998	Schlieffers et al.	.....	D14/100
D. 399,198	10/1998	Reitzel	.....	D14/116
D. 405,076	2/1999	Ahearn et al.	.....	D14/116

**OTHER PUBLICATIONS**

Stanley "Stud Edge" Scanning Tool (4 pages), on sale before Aug. 13, 1998.

National Model EZ380B Scanning Tool (5 pages), on sale before Aug. 13, 1998.

Tajima Model WSC-DX Scanning Tool (2 pages), on sale before Aug. 13, 1998.

*Primary Examiner*—M. H. Tung  
*Attorney, Agent, or Firm*—SAIDMAN DesignLaw Group

[57] **CLAIM**

The ornamental design for a hand held scanning tool, as shown and described.

**DESCRIPTION**

FIG. 1 is a perspective view of a hand held scanning tool showing our new design;

FIG. 2 is a front view thereof;

FIG. 3 is a bottom view thereof;

FIG. 4 is a right side view thereof;

FIG. 5 is a left side view thereof;

FIG. 6 is a rear view thereof;

FIG. 7 is a top view thereof;

FIG. 8 is a perspective view of a second embodiment of our new design;

FIG. 9 is a front view thereof;

FIG. 10 is a bottom view thereof;

FIG. 11 is a right side view thereof;

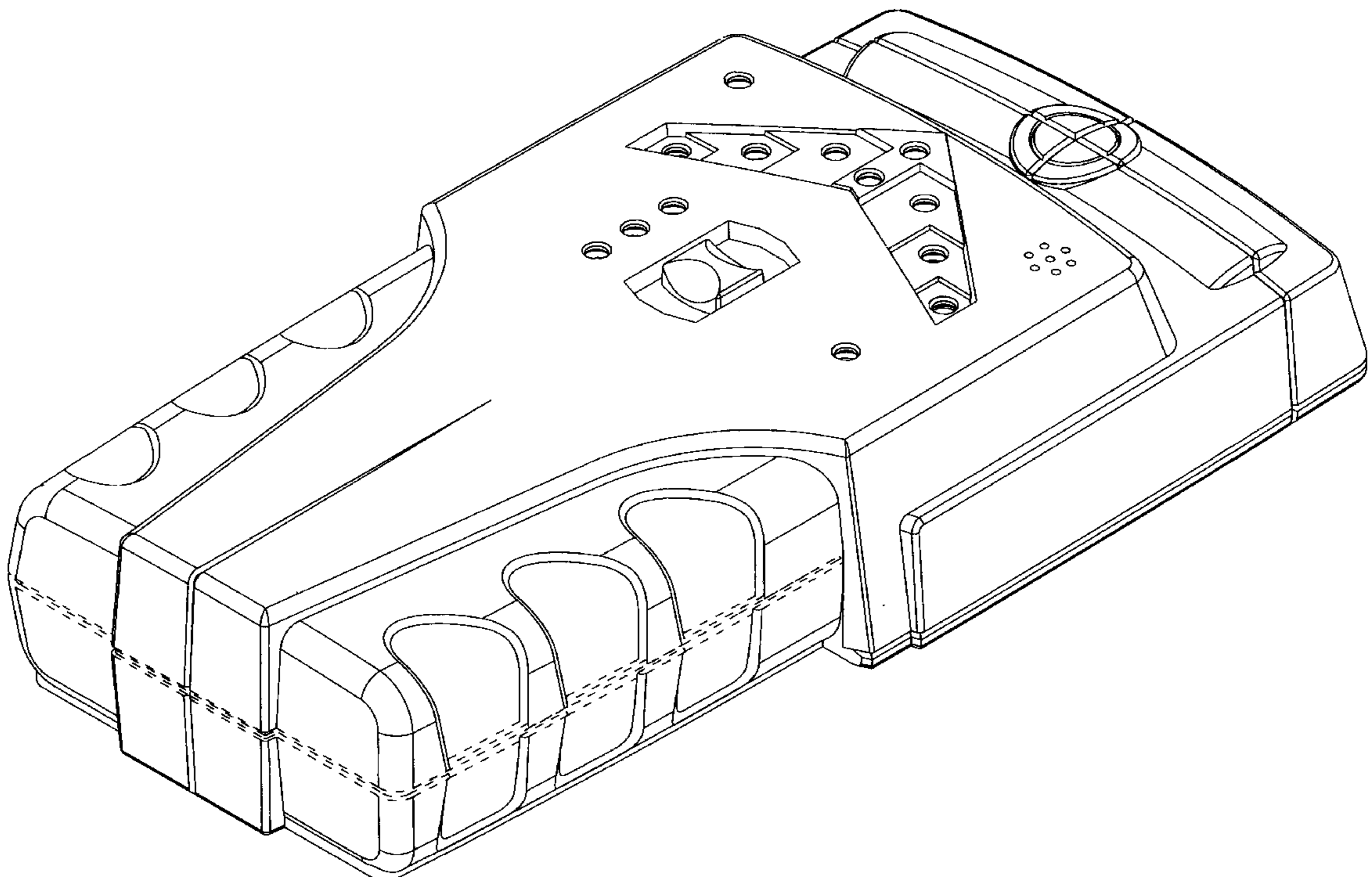
FIG. 12 is a left side view thereof;

FIG. 13 is a rear view thereof; and,

FIG. 14 is a top view thereof.

The broken lines shown in FIGS. 1, 3-8, and 10-14 are environmental only and form no part of the claimed design.

**1 Claim, 6 Drawing Sheets**



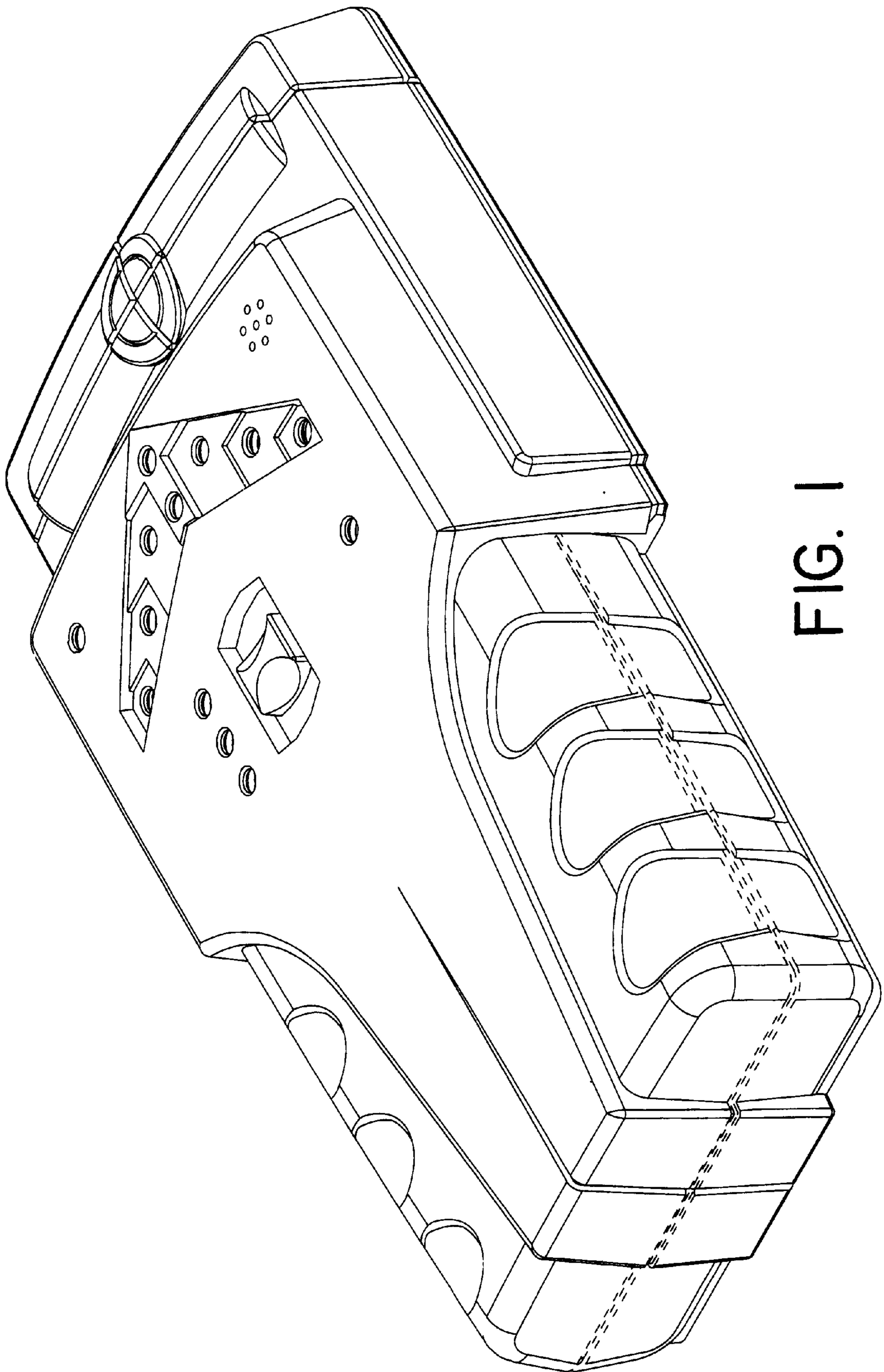


FIG. 1

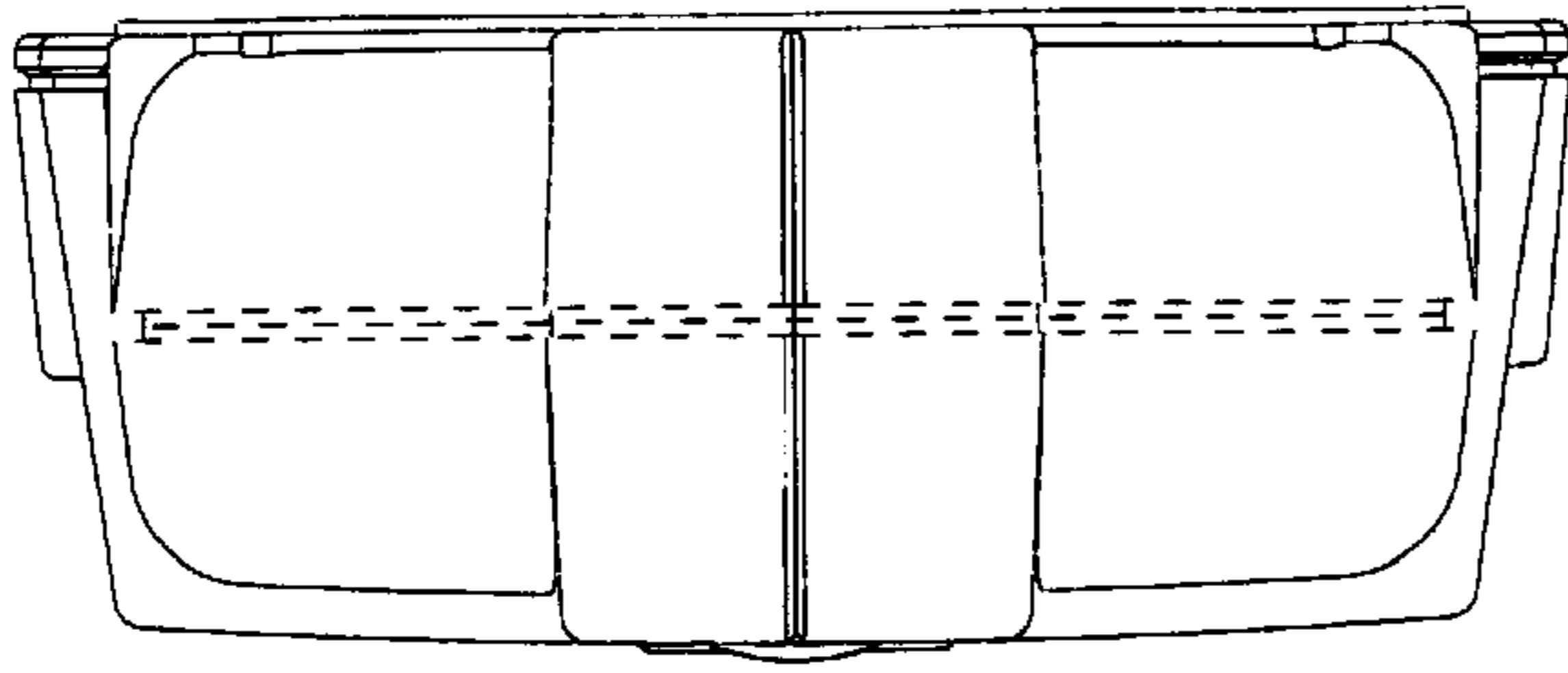


FIG. 3

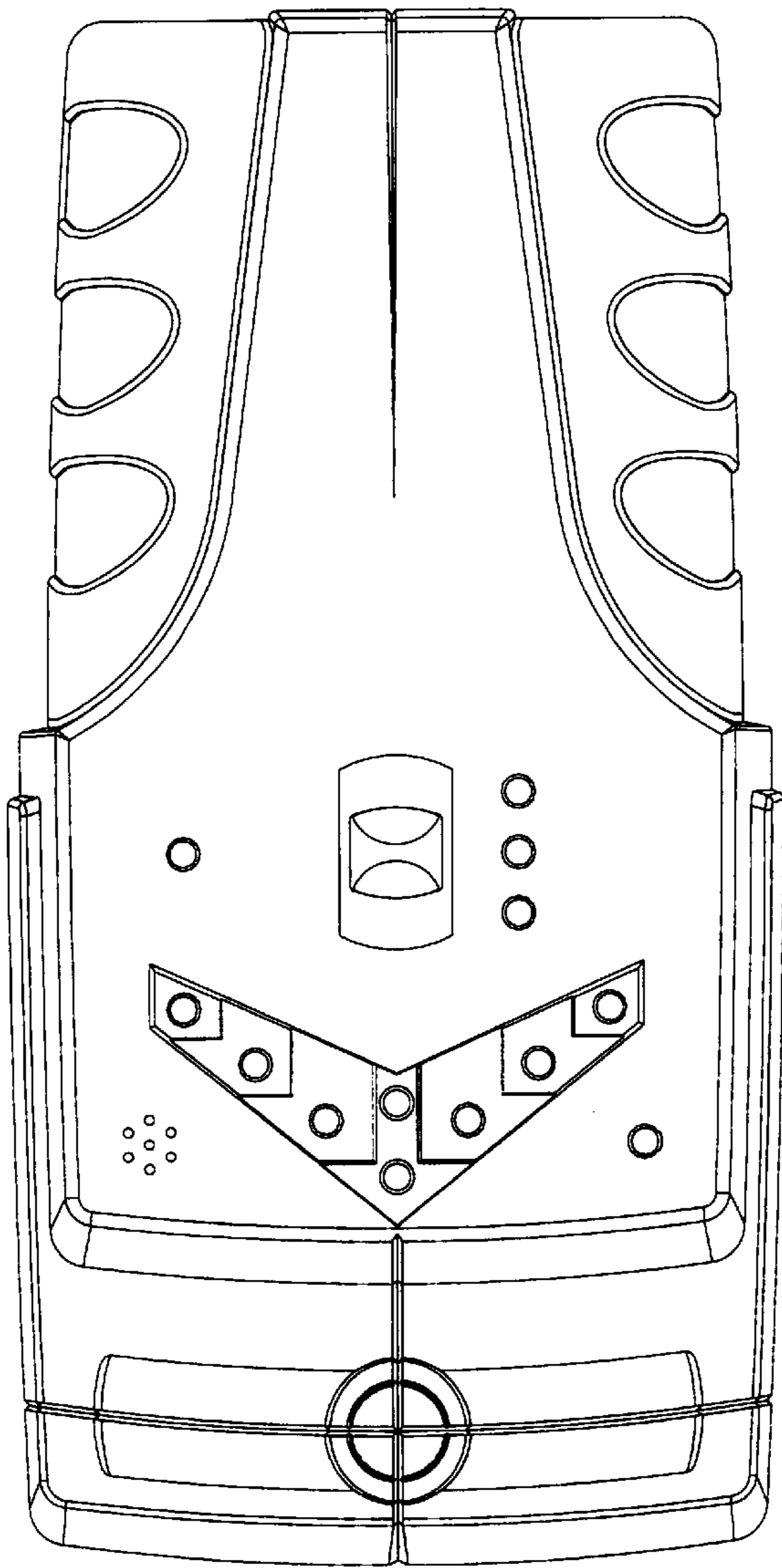


FIG. 2

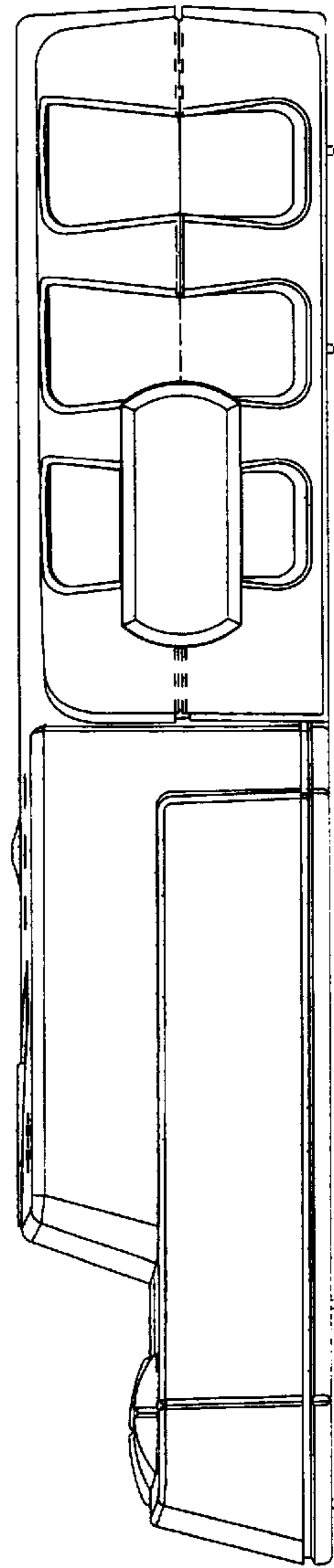


FIG. 4

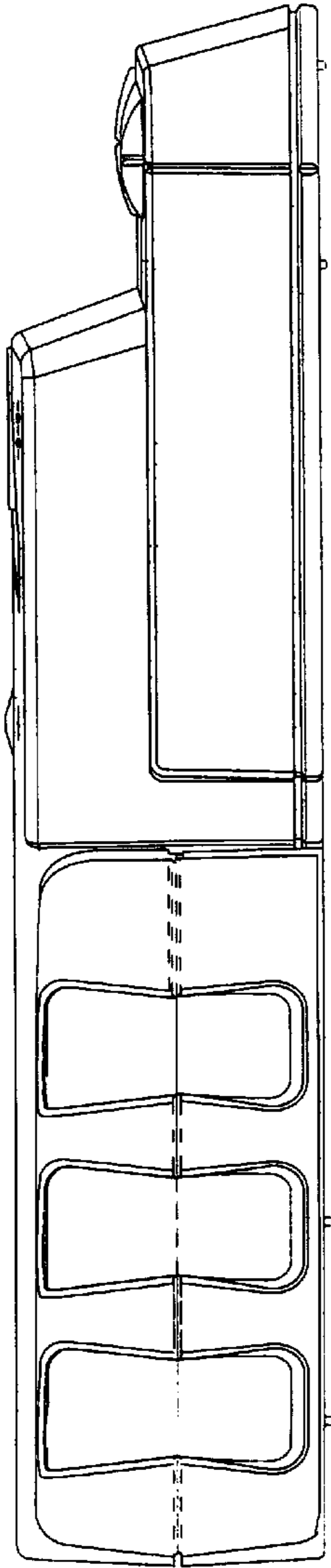


FIG. 5

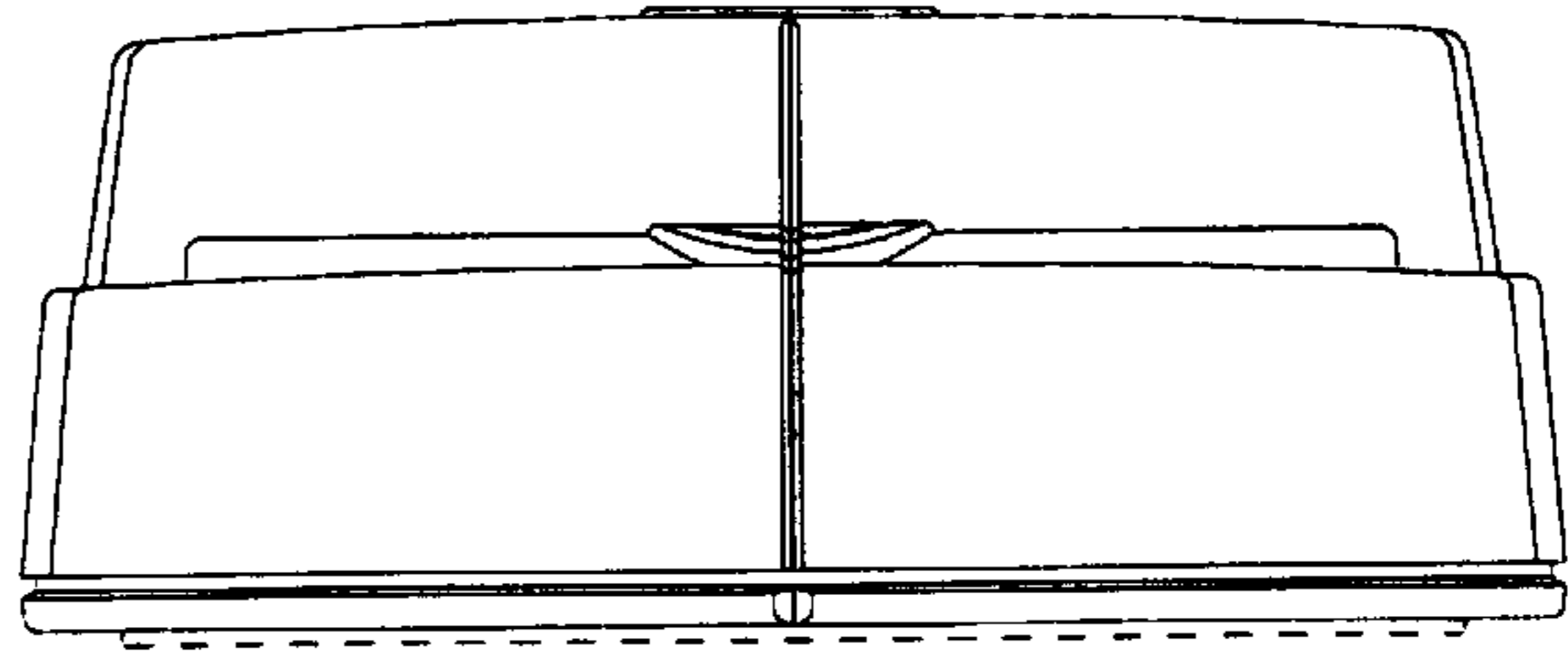


FIG. 7

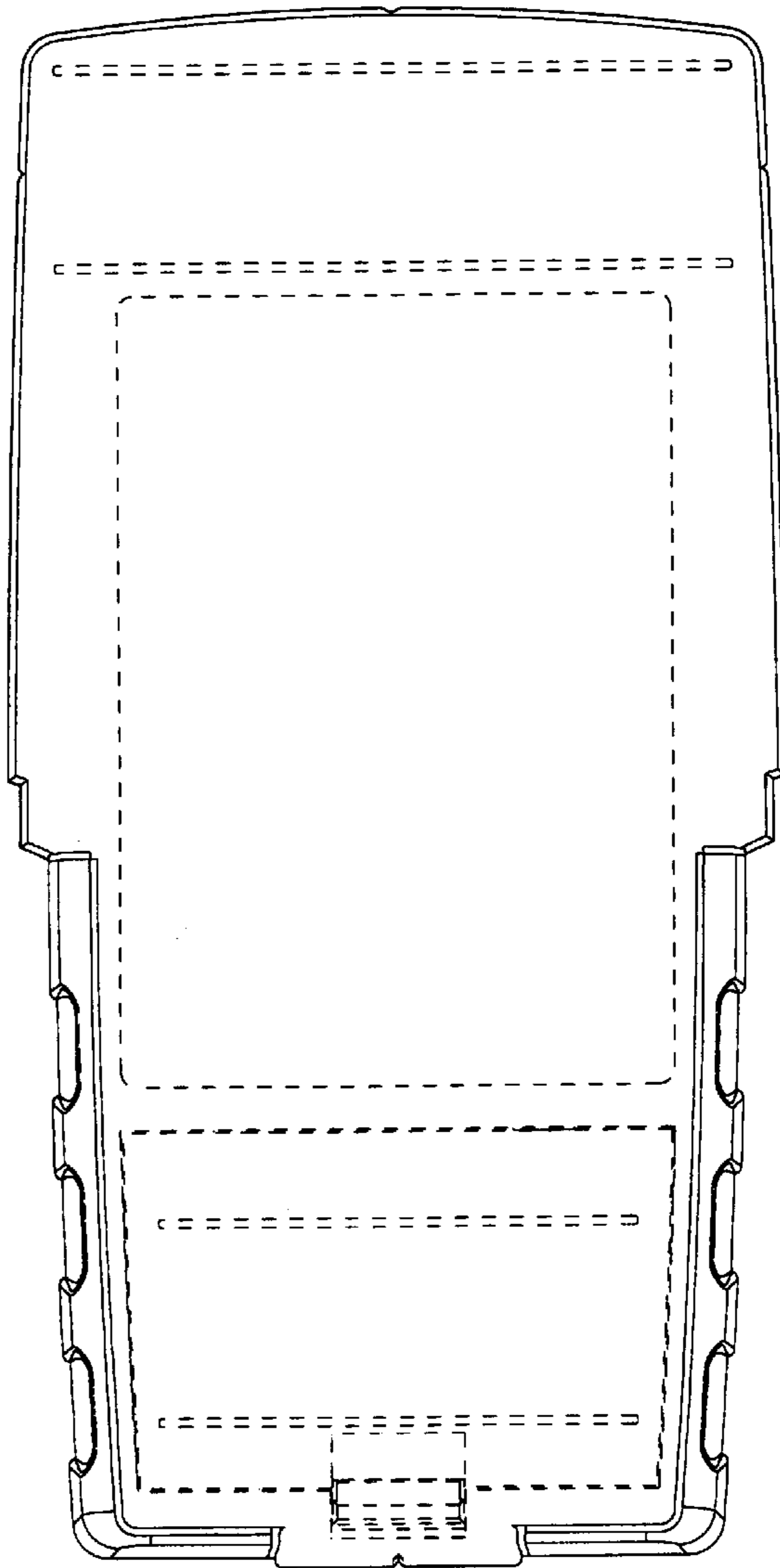


FIG. 6

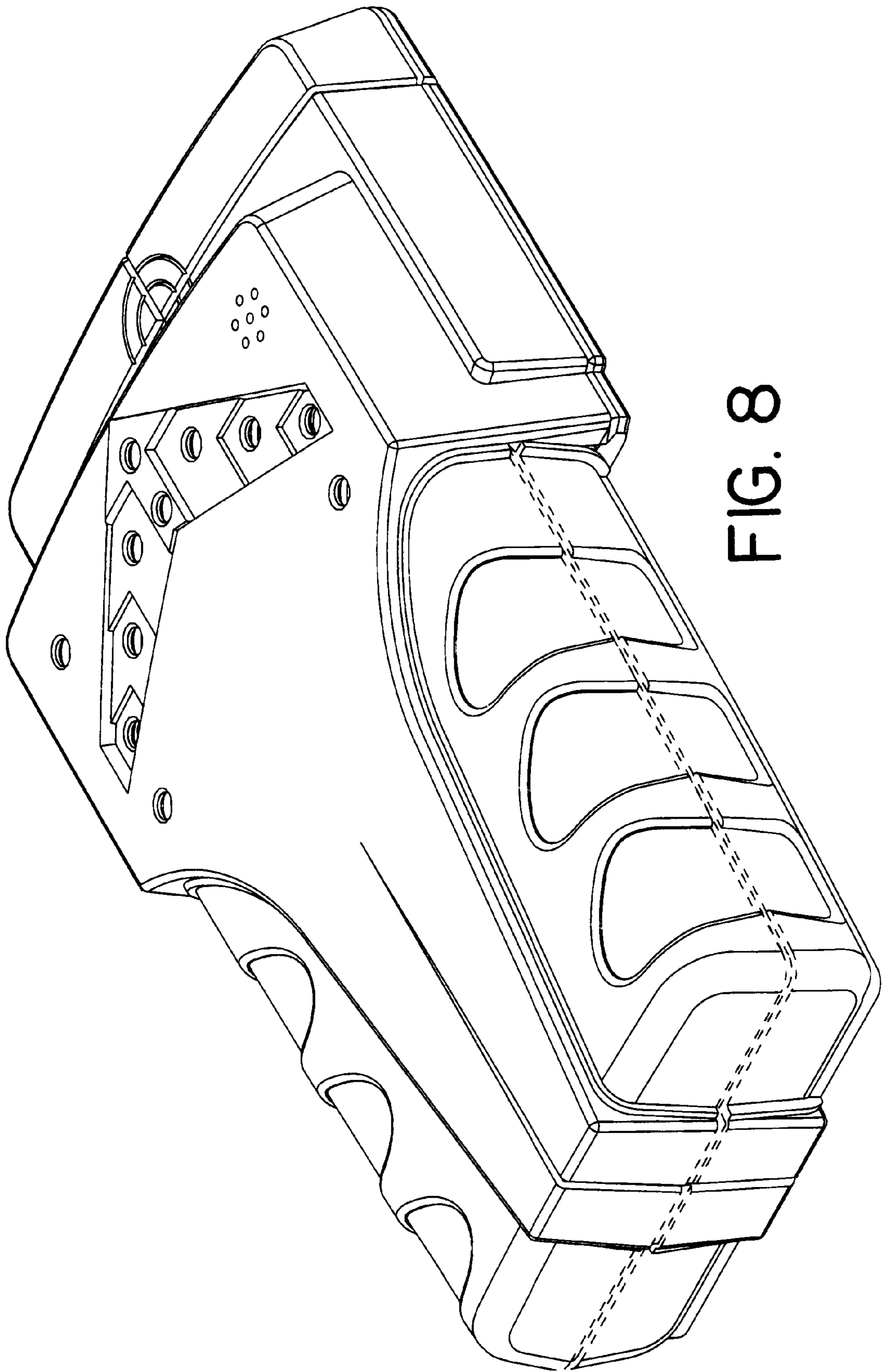


FIG. 8

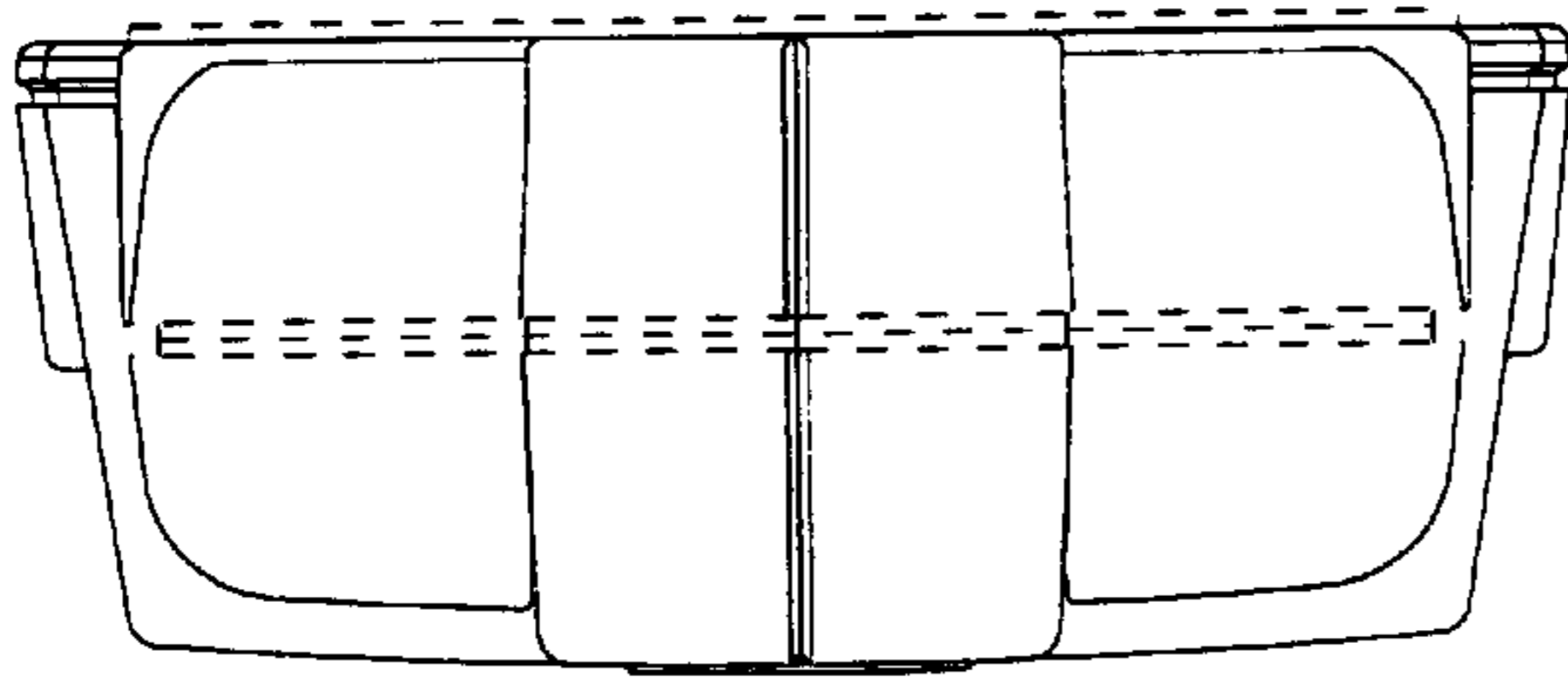


FIG. 10

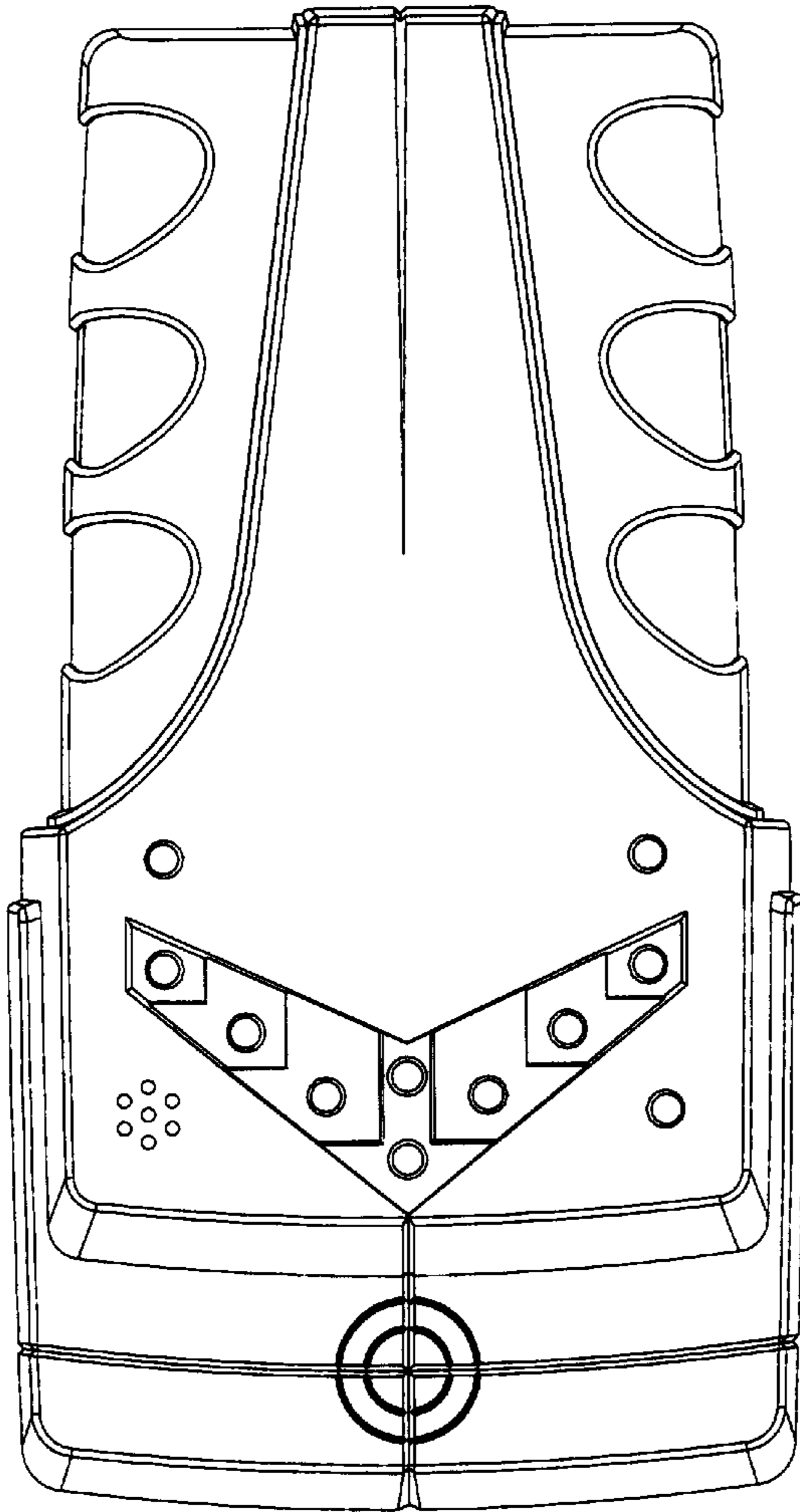


FIG. 9

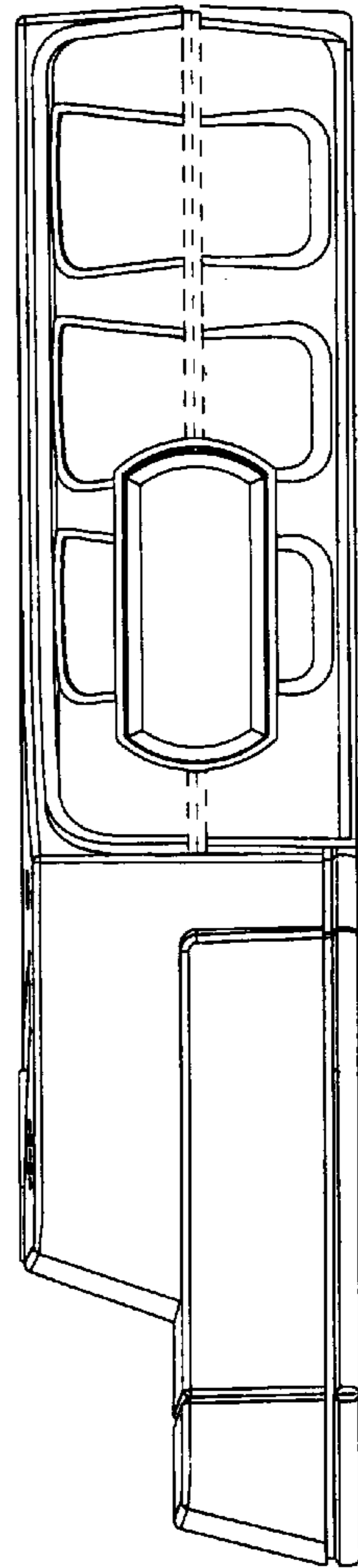


FIG. 11

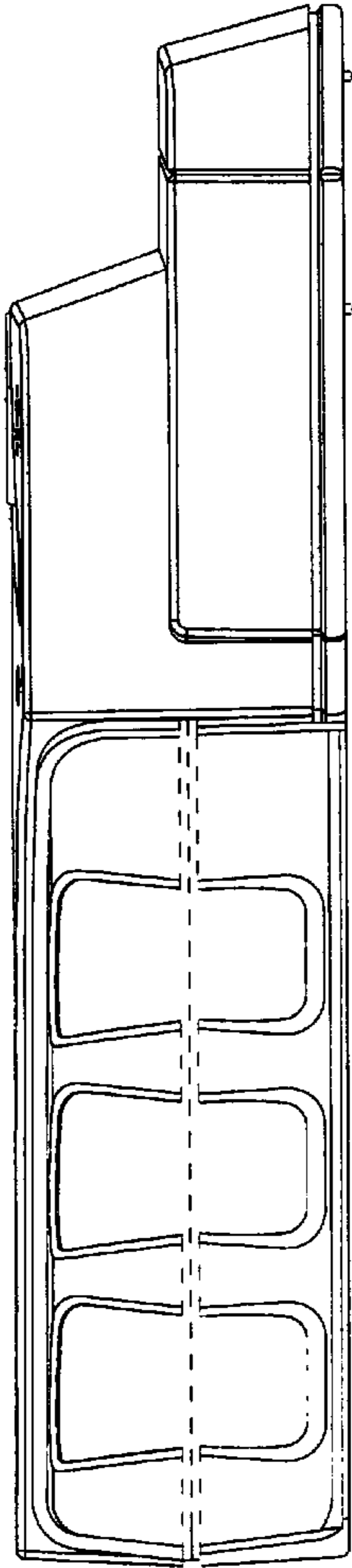


FIG. 12

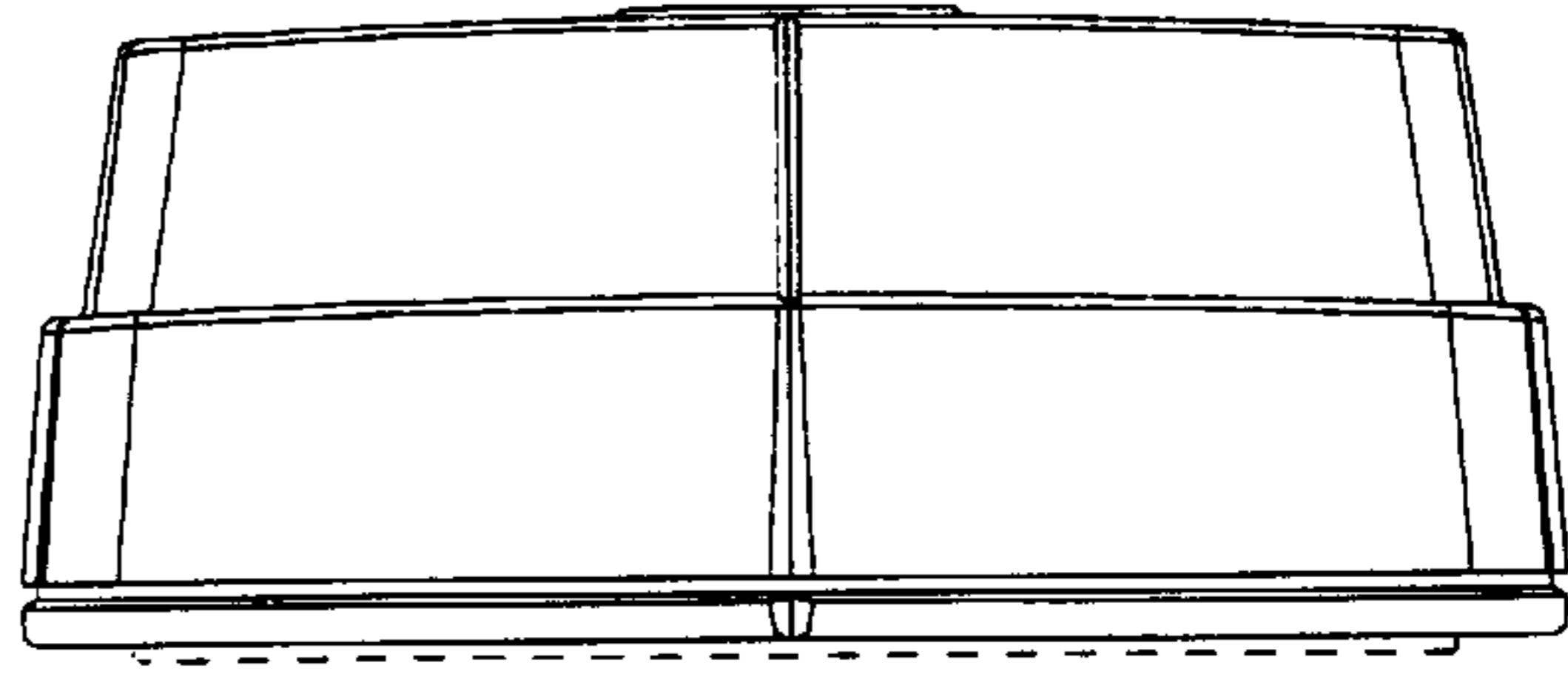


FIG. 14

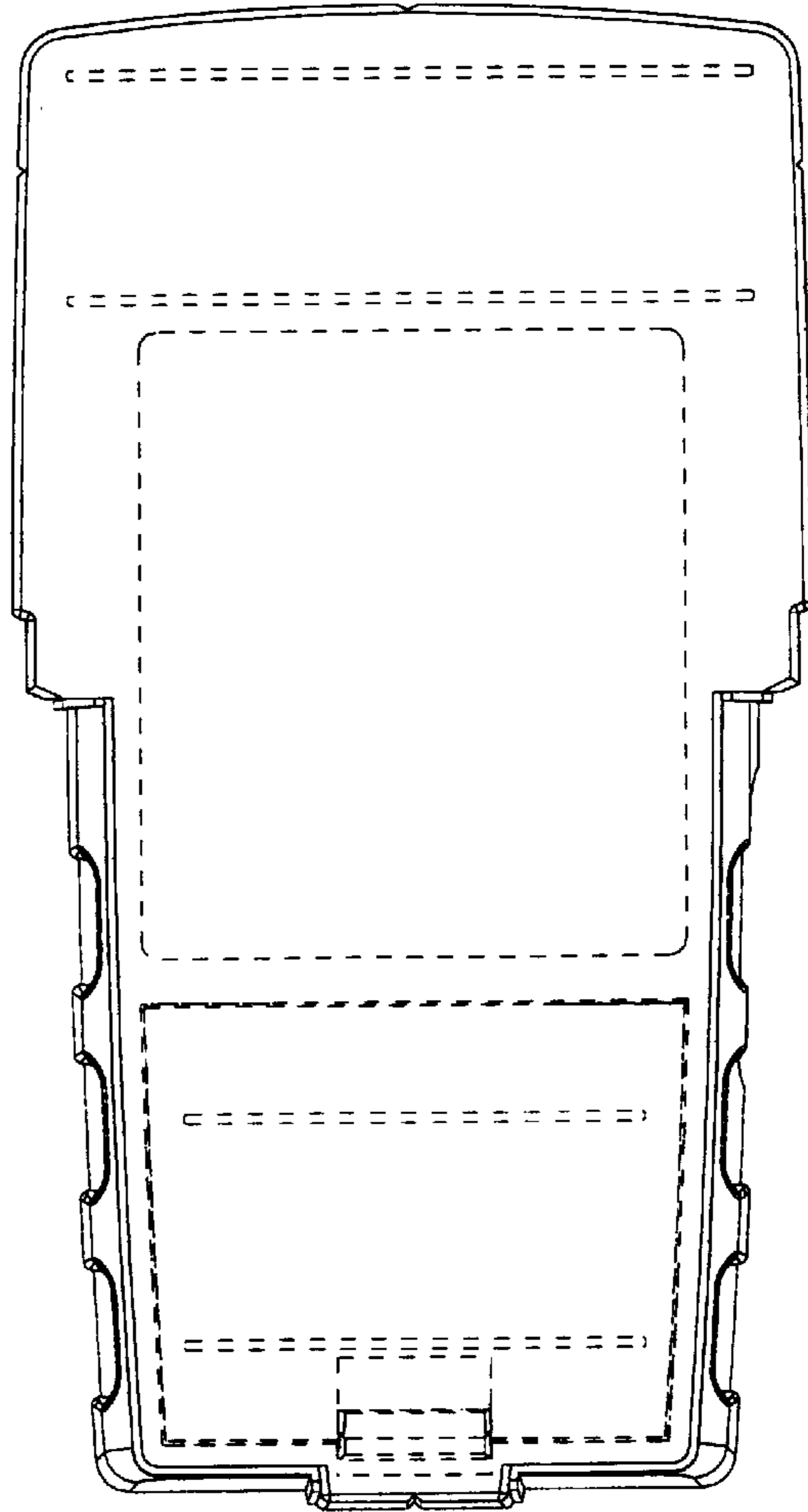


FIG. 13