



US00D419545S

United States Patent [19]

[11] Patent Number: **Des. 419,545**

Krantz et al.

[45] Date of Patent: **** Jan. 25, 2000**

[54] **HAND HELD SCANNING TOOL CASING**

Tajima Model WSC-DX Scanning Tool (2 pages), on sale before Aug. 12, 1998.

[75] Inventors: **Norman L. Krantz**, San Jose; **John R. Stauss**, Los Gatos, both of Calif.

Primary Examiner—M. H. Tung
Attorney, Agent, or Firm—Saidman DesignLaw Group

[73] Assignee: **Zircon Corporation**, Campbell, Calif.

[**] Term: **14 Years**

[57] CLAIM

[21] Appl. No.: **29/092,143**

The ornamental design for a hand held scanning tool casing, as shown and described.

[22] Filed: **Aug. 13, 1998**

DESCRIPTION

[51] **LOC (7) Cl.** **14-02**

FIG. 1 is a perspective view of a hand held scanning tool casing showing our new design, on an enlarged scale;

[52] **U.S. Cl.** **D14/116**

FIG. 2 is a front view thereof;

[58] **Field of Search** D14/100, 107,

FIG. 3 is a bottom view thereof;

D14/114, 116; D19/41-51; 235/375, 378,

FIG. 4 is a right side view thereof;

385, 454, 462.15, 472.02, 486; 382/312-5,

FIG. 5 is left side view thereof;

318-9, 321; 250/203.1, 216; D26/37, 45,

50

FIG. 6 is a rear view thereof;

[56] References Cited

FIG. 7 is a top view thereof;

U.S. PATENT DOCUMENTS

FIG. 8 is a perspective view of second embodiment of our new design, on an enlarged scale;

D. 325,574 4/1992 Carver D14/116

FIG. 9 is a front view thereof;

D. 342,064 12/1993 Harden D14/116

FIG. 10 is a bottom view thereof;

D. 352,938 11/1994 Karlin D14/116

FIG. 11 is a right side view thereof;

D. 371,550 7/1996 Tomkowitz D14/116

FIG. 12 is a left side view thereof;

D. 391,555 3/1998 Schlieffers et al. D14/100

FIG. 13 is a rear view thereof; and,

D. 399,198 10/1998 Reitzel D14/116

FIG. 14 is a top view thereof.

D. 405,076 2/1999 Ahearn et al. D14/116

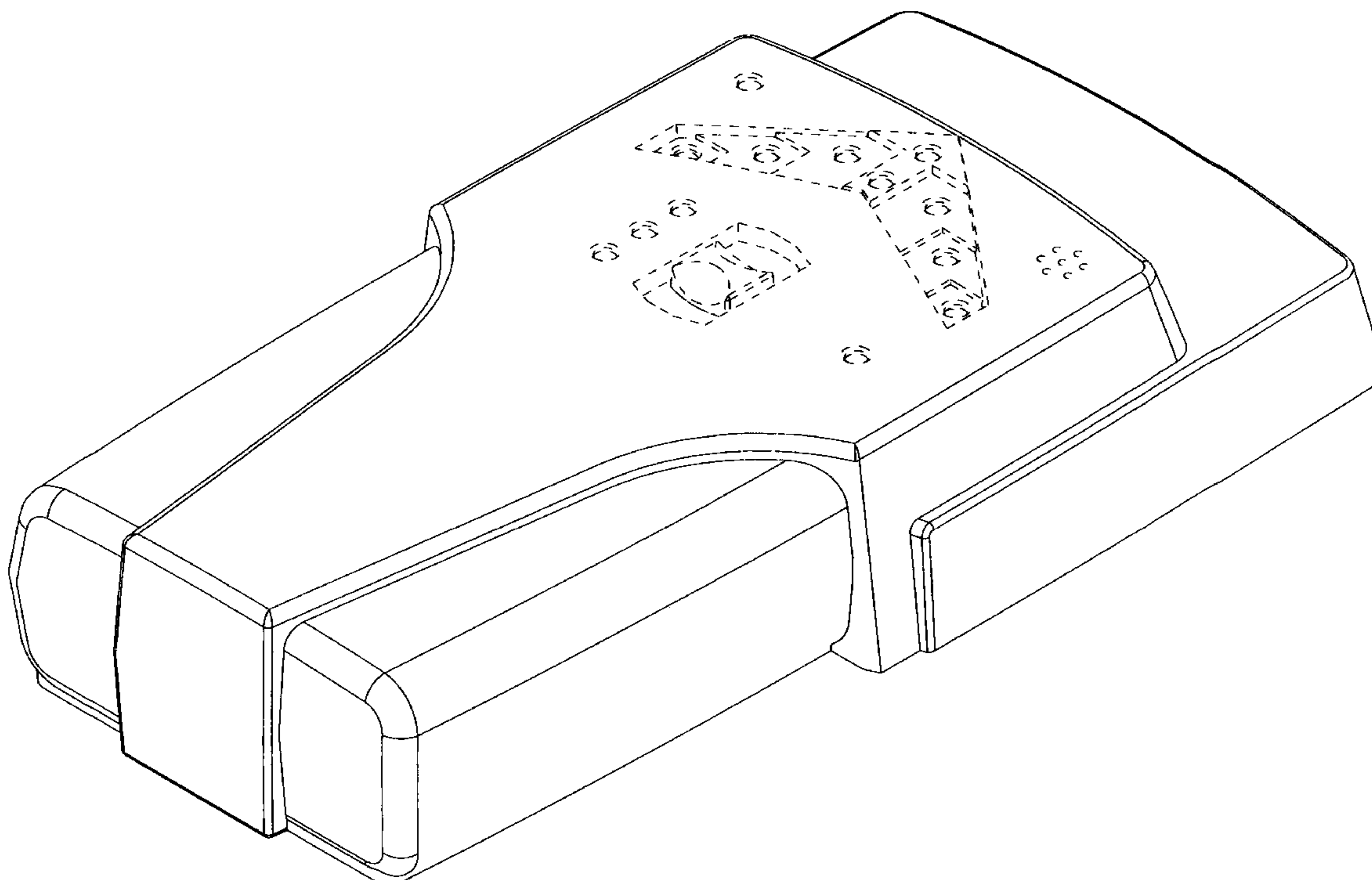
OTHER PUBLICATIONS

The broken lines shown in FIGS. 1-2, 4-8 and 11-14 are environmental only and form no part of the claimed design.

Stanley "Stud Edge" Scanning Tool (4 pages), on sale before Aug. 13, 1998.

National Model EZ380B Scanning Tool (5 pages), on sale before Aug. 13, 1998.

1 Claim, 6 Drawing Sheets



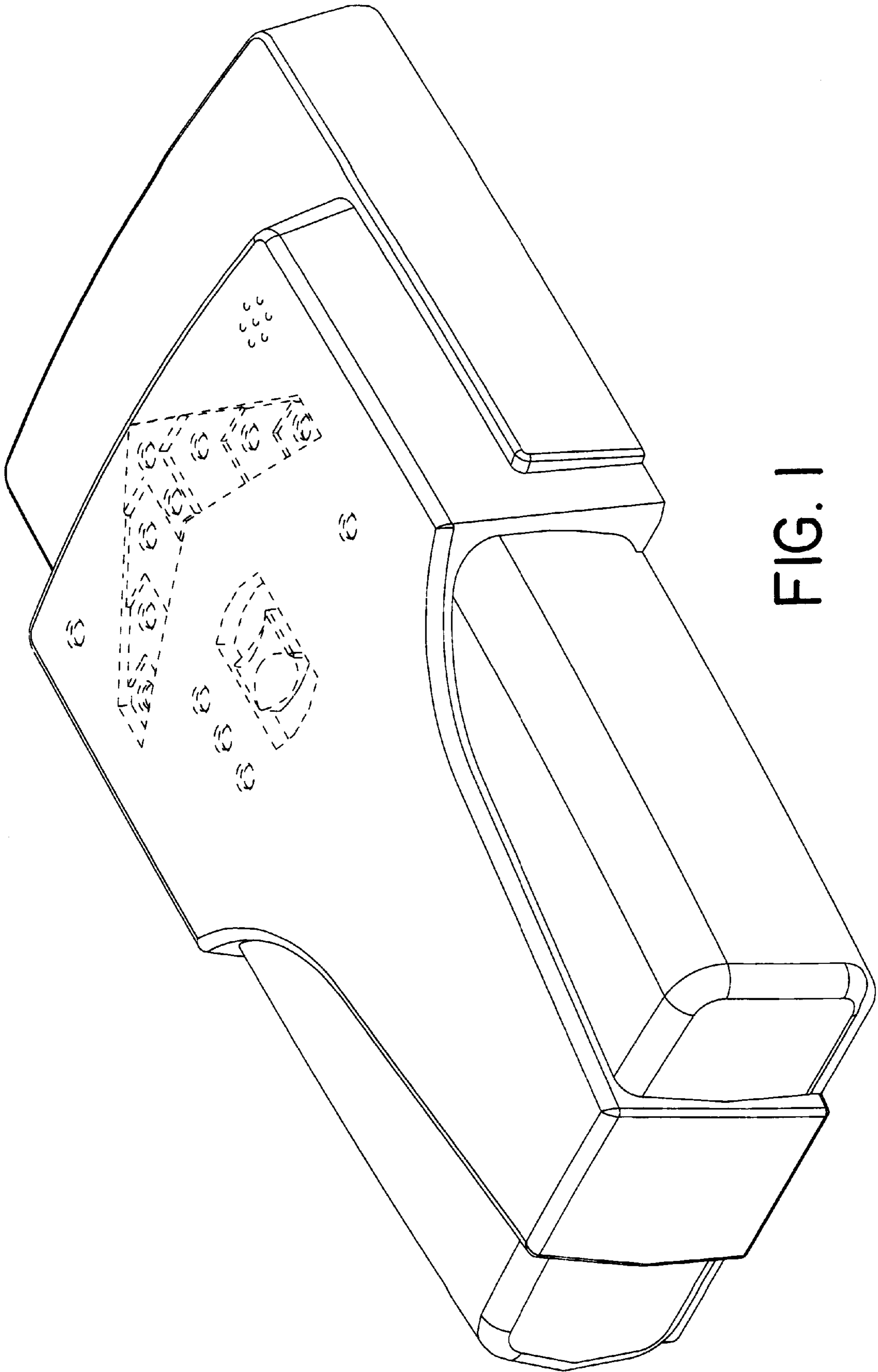


FIG. 1

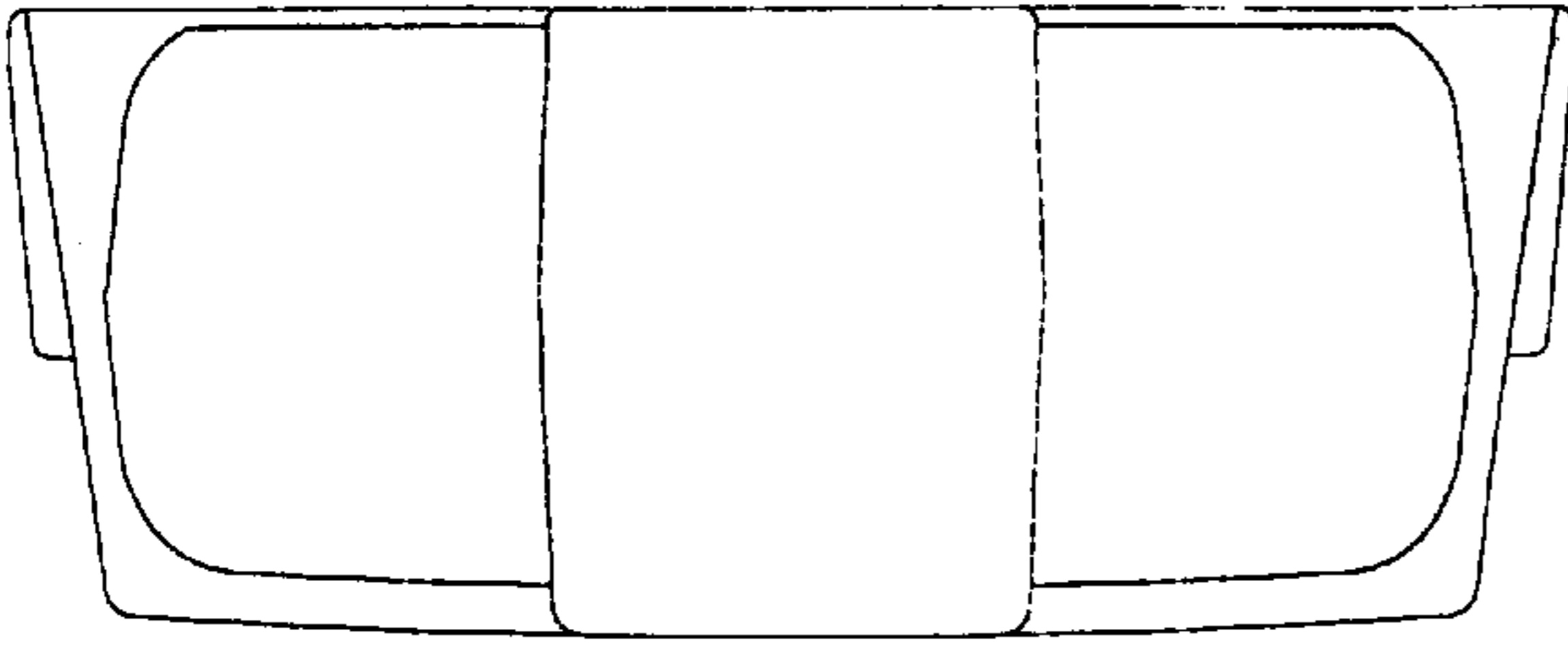


FIG. 3

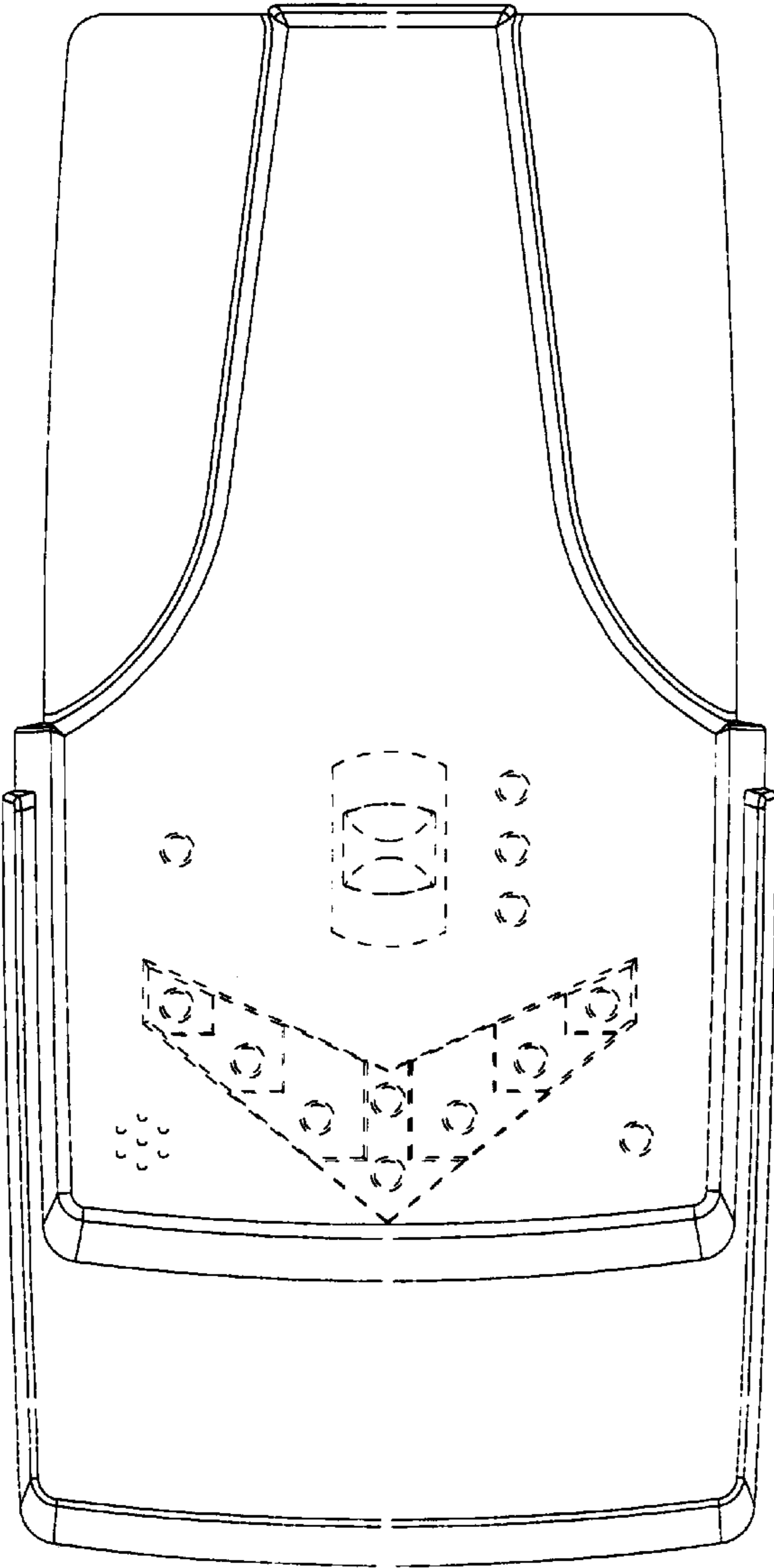


FIG. 2

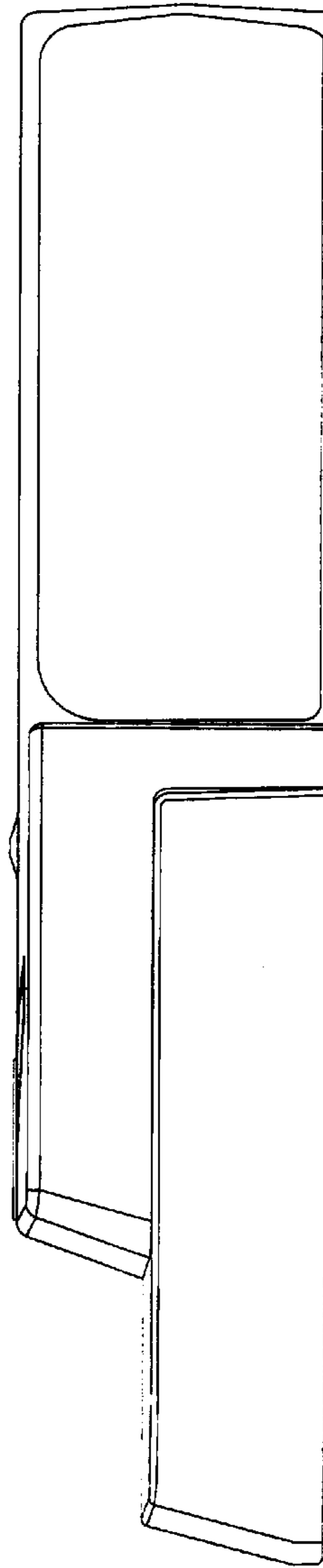


FIG. 4

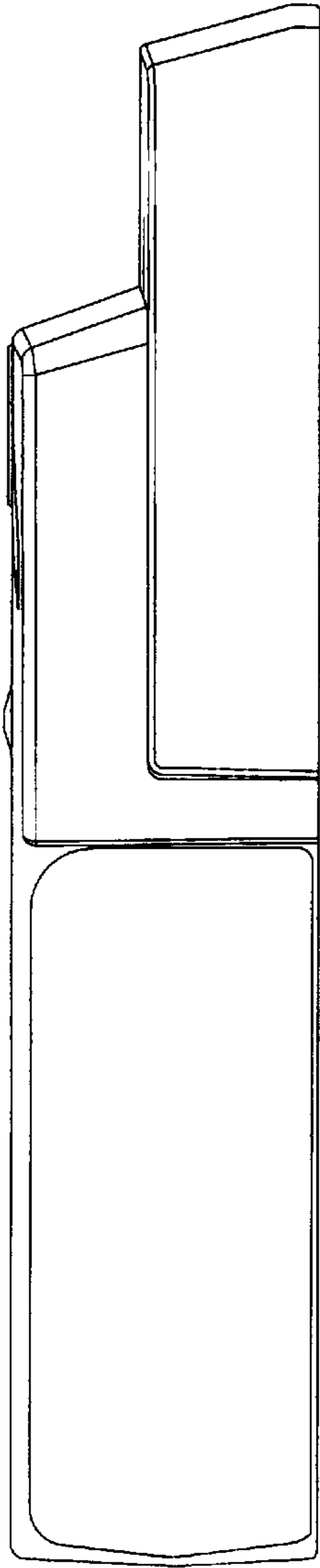


FIG. 5

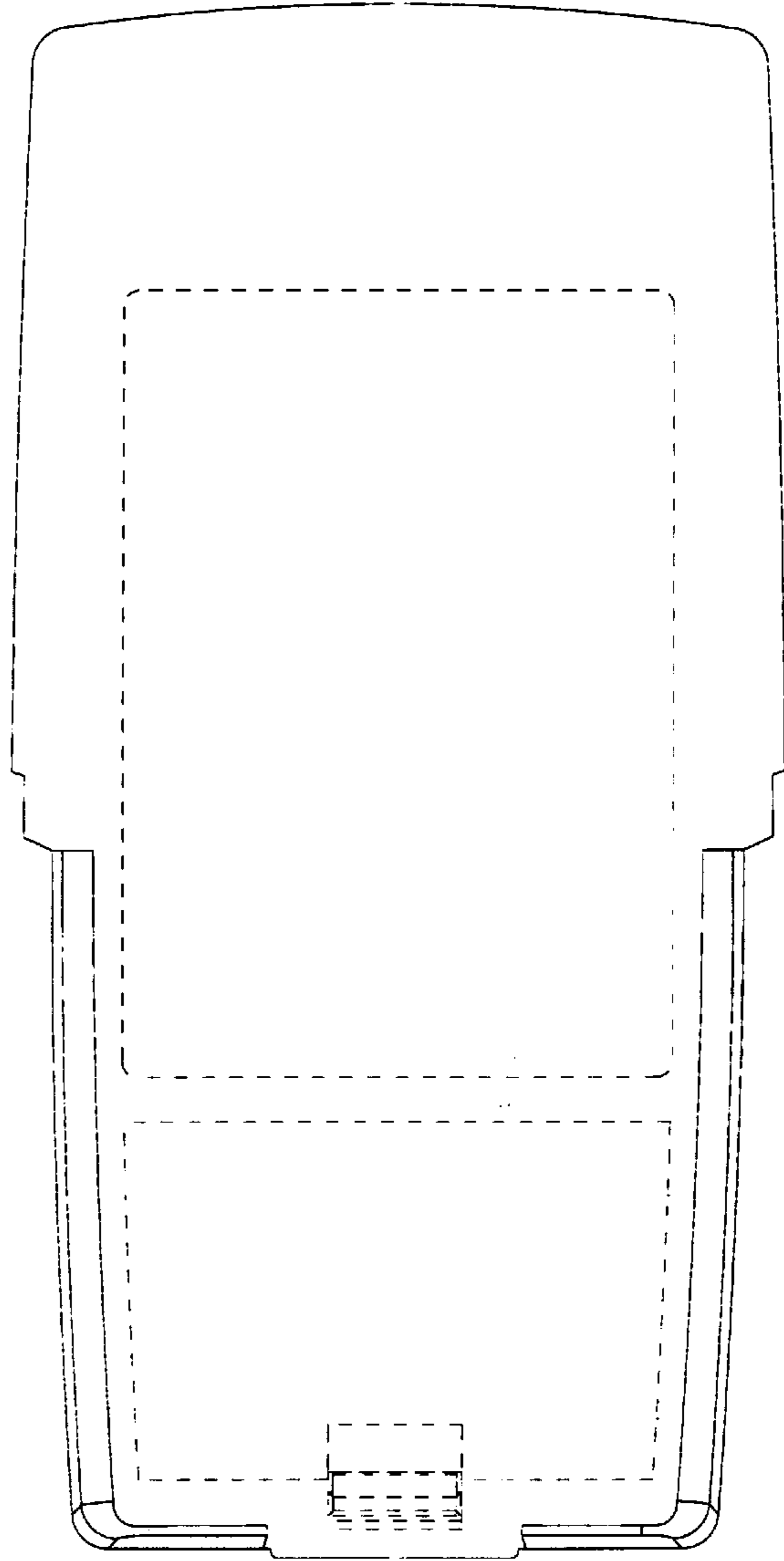


FIG. 6

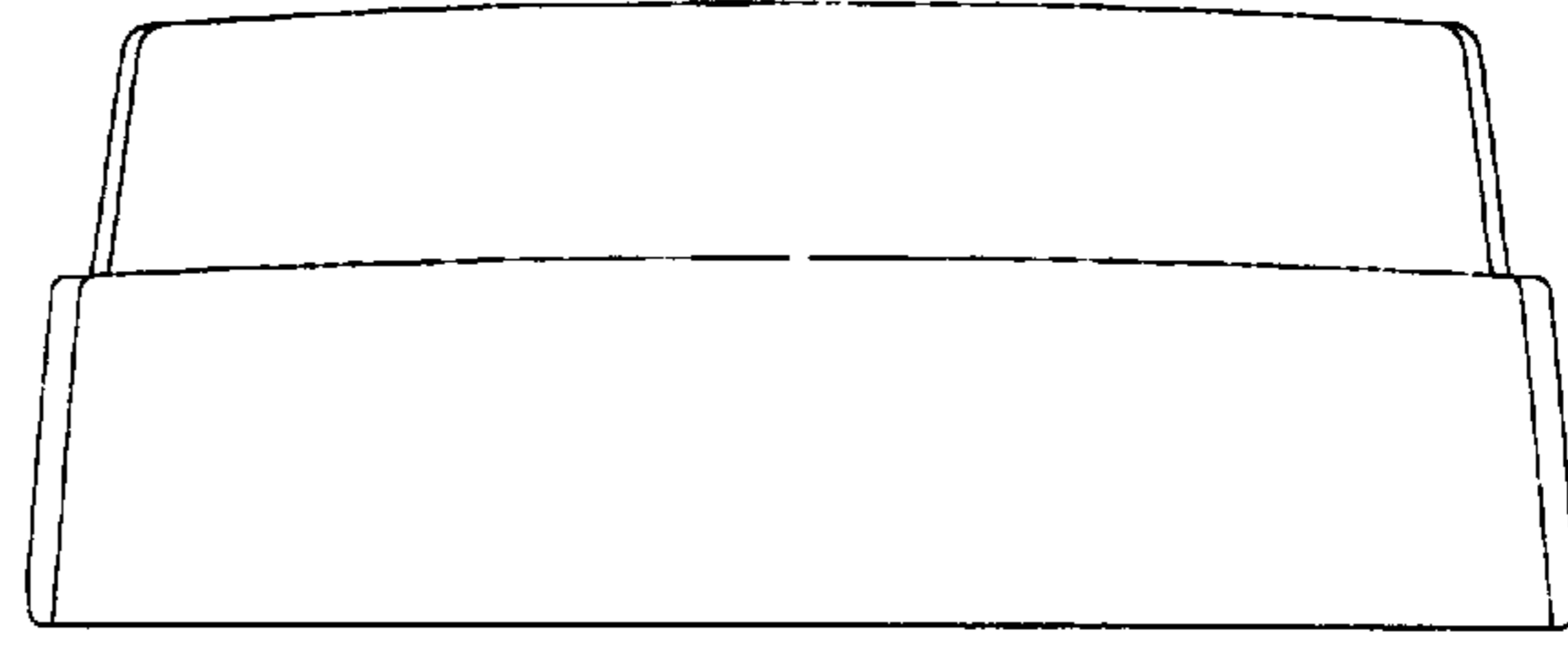


FIG. 7

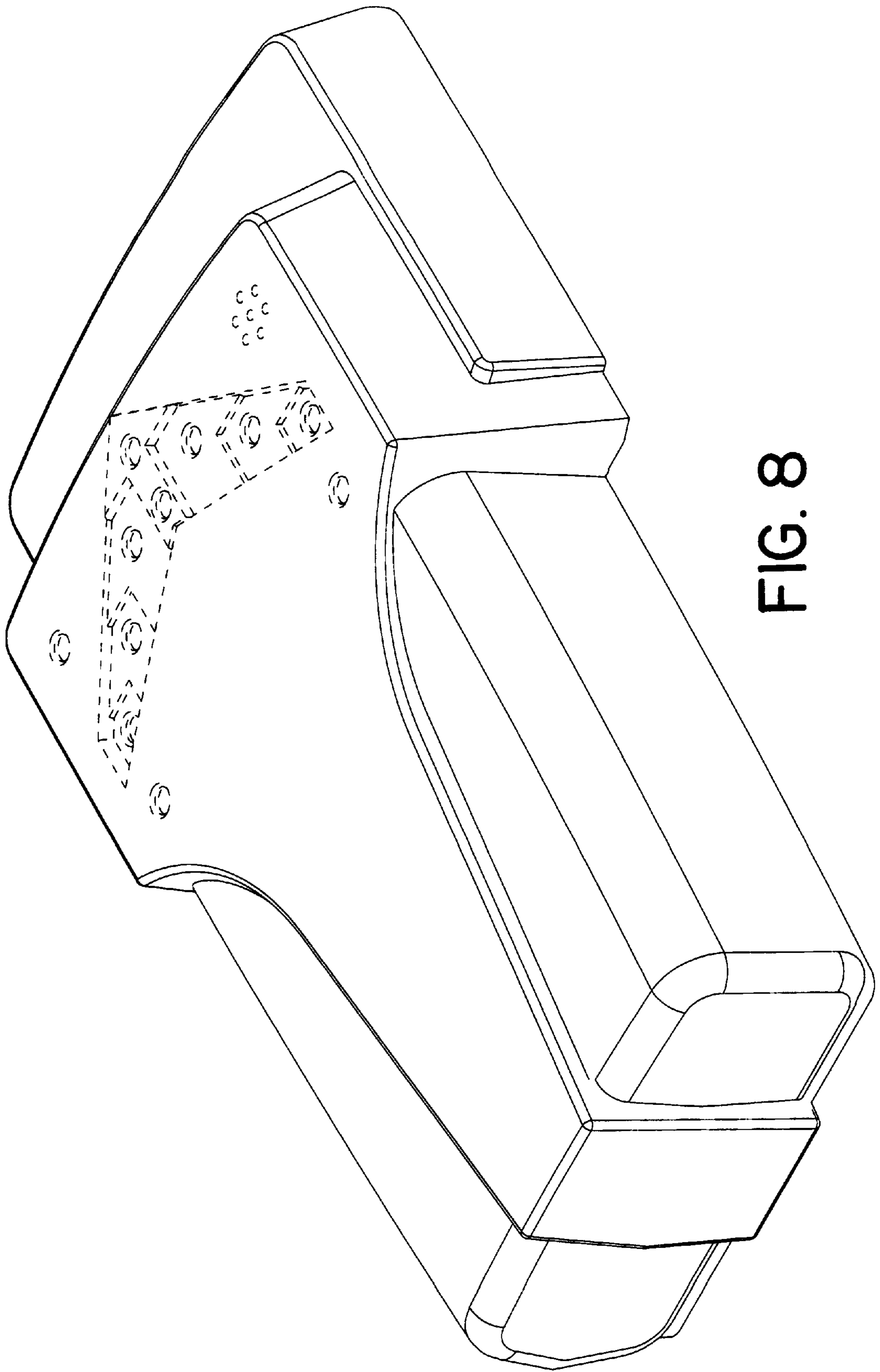


FIG. 8

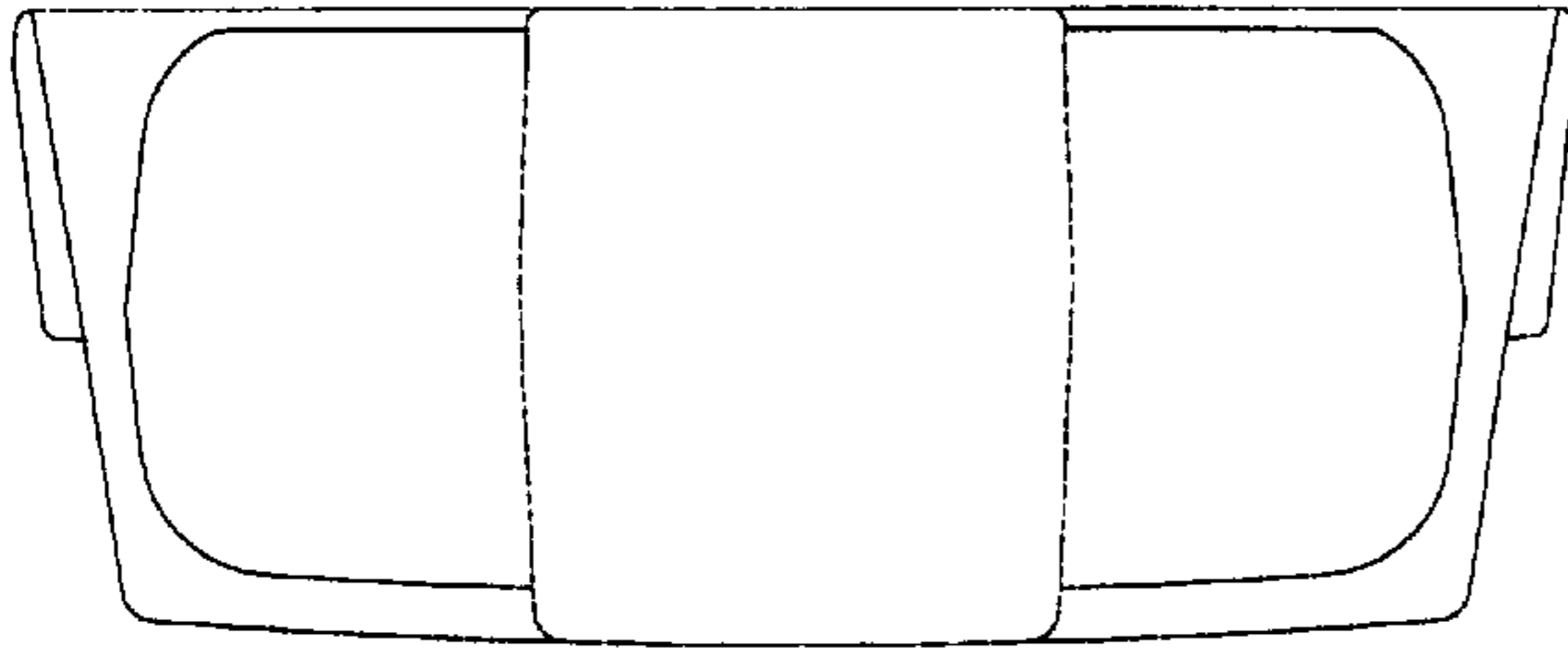


FIG. 10

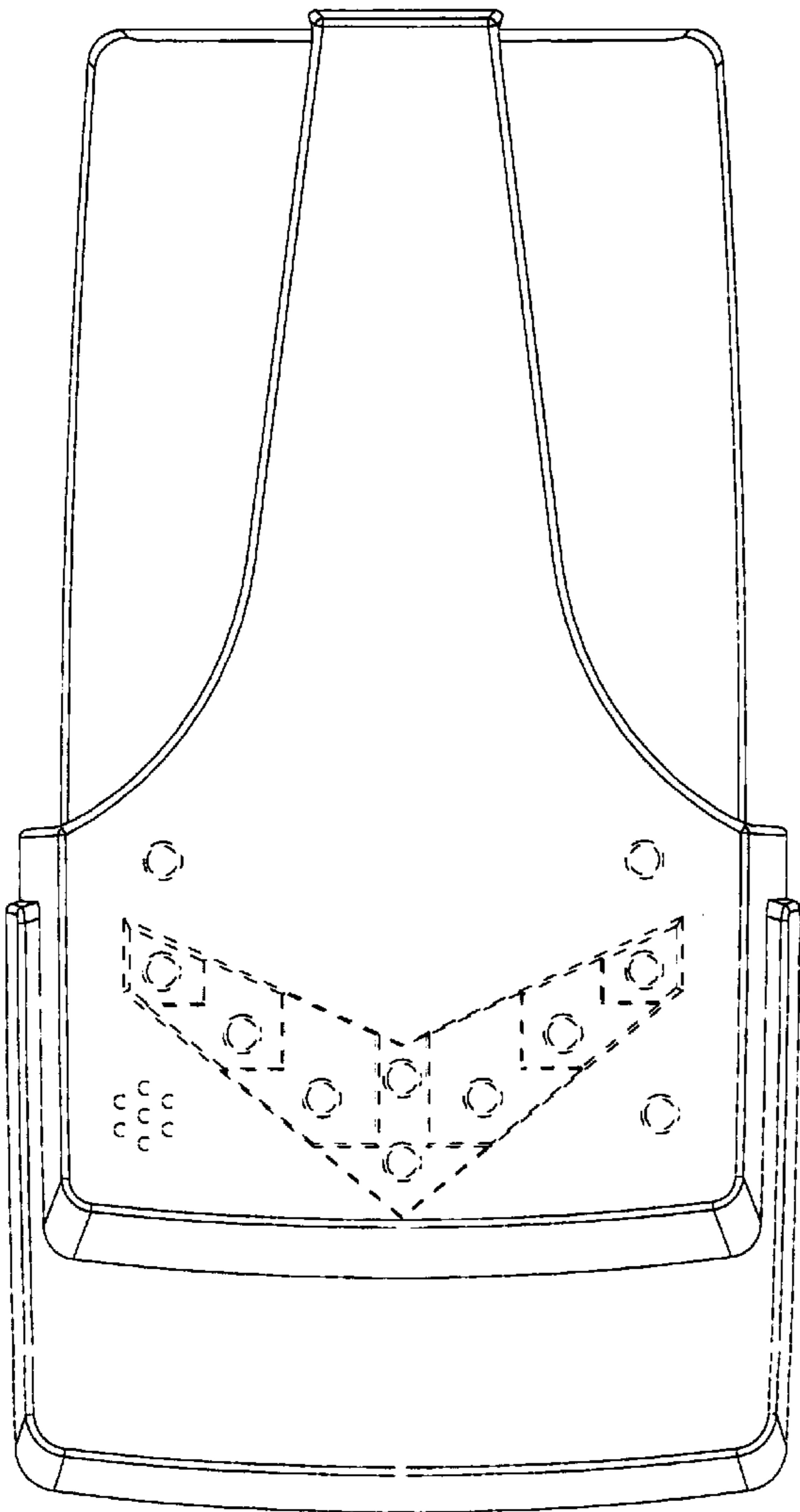


FIG. 9

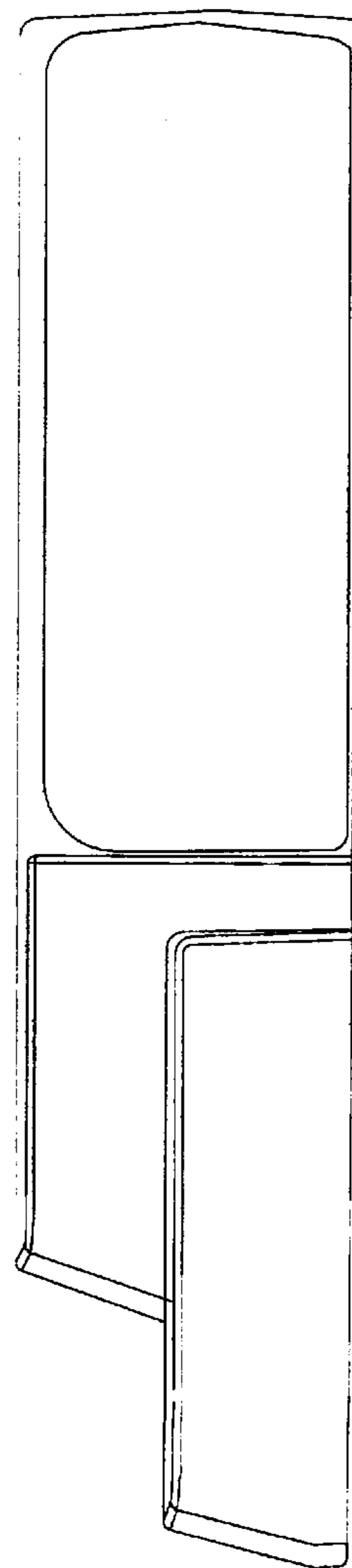


FIG. 11

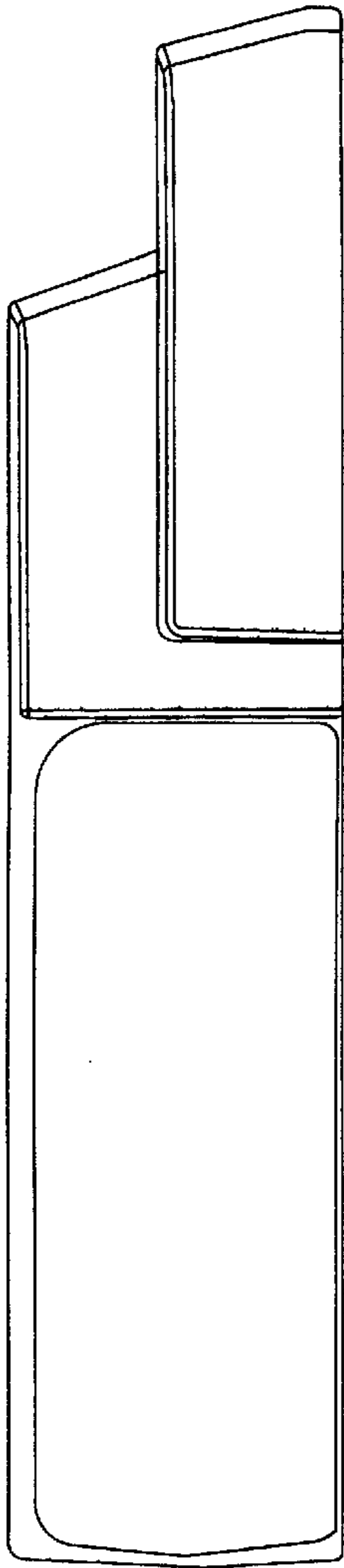


FIG. 12

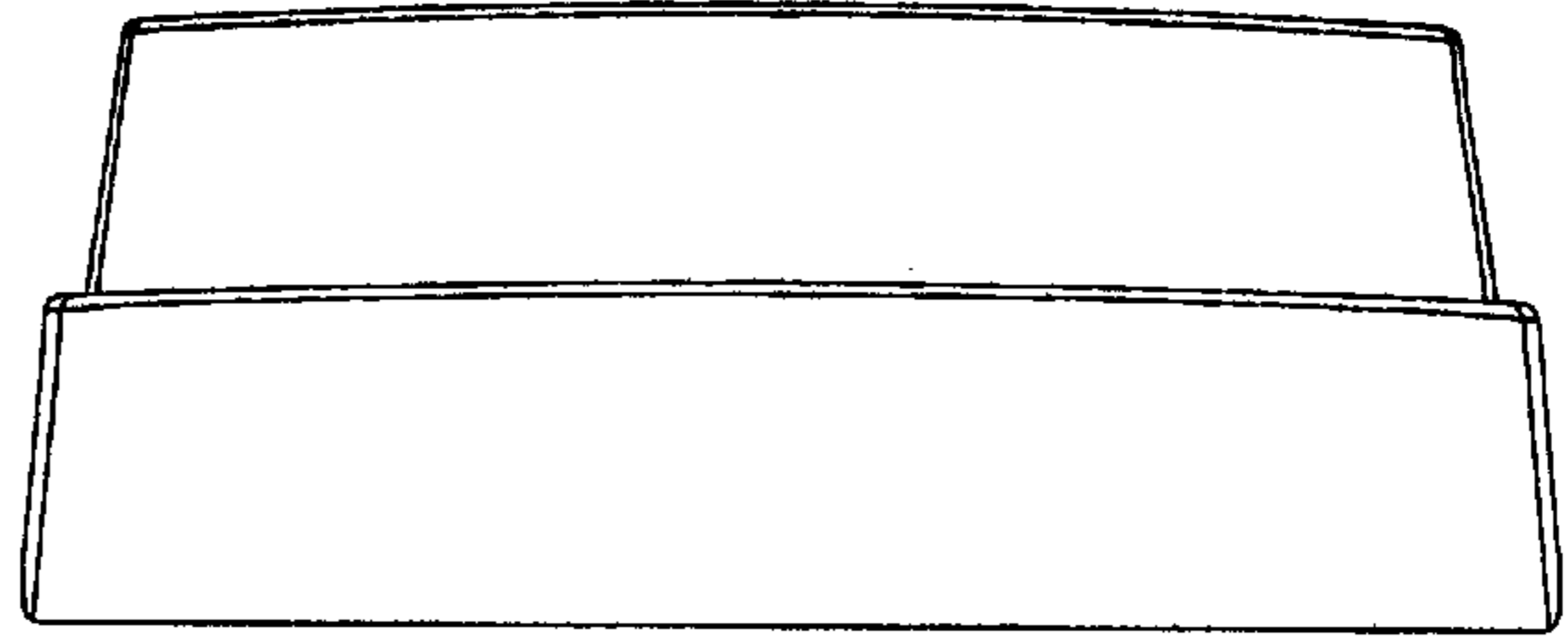


FIG. 14

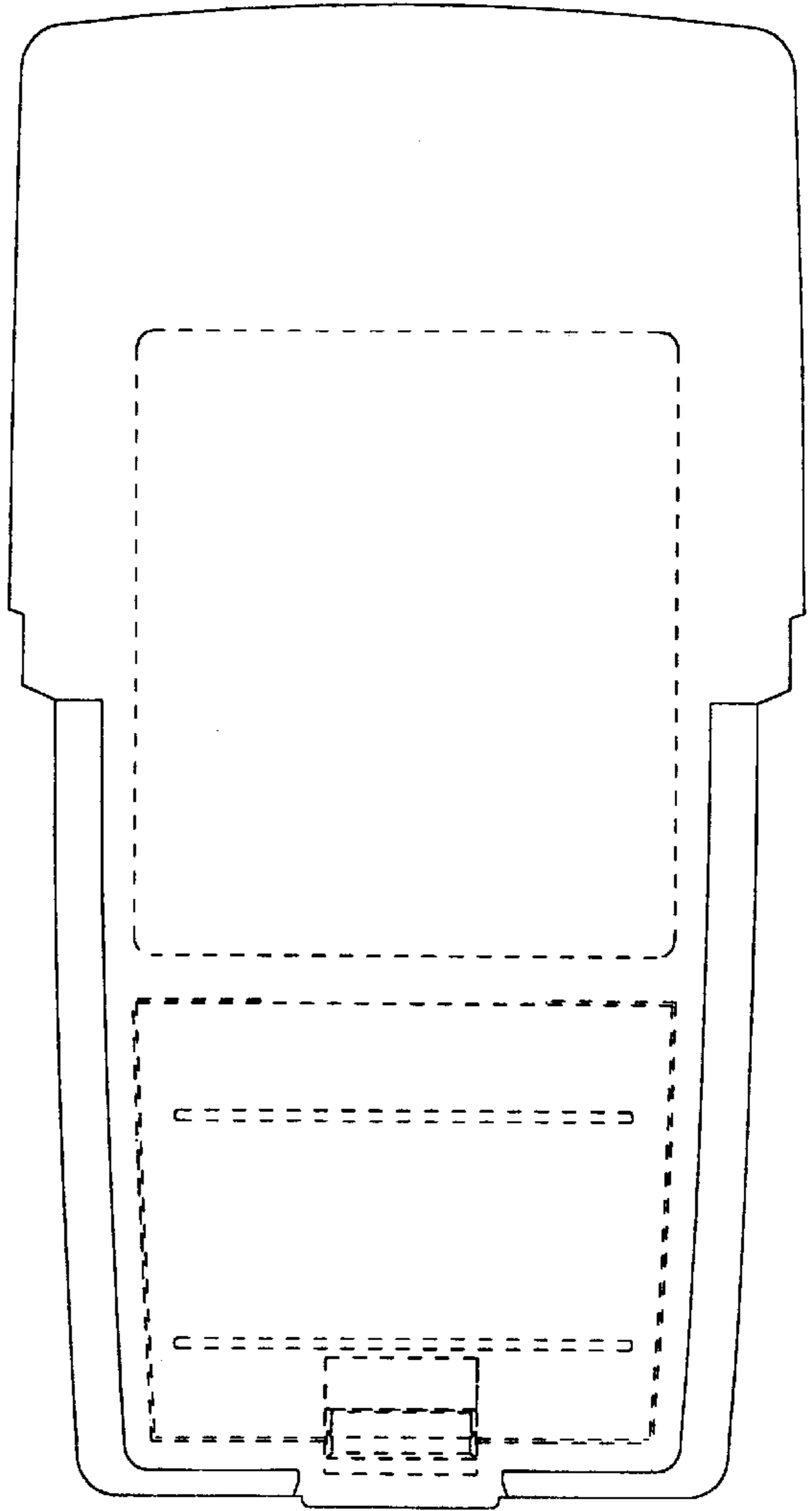


FIG. 13