



US00D419535S

United States Patent [19] Tanimura

[11] Patent Number: **Des. 419,535**

[45] Date of Patent: **** Jan. 25, 2000**

[54] **ELECTRONIC COMPUTER**

D. 389,462 1/1998 Johns et al. D14/100
D. 397,324 8/1998 Minemoto et al. D14/100

[75] Inventor: **Yohichi Tanimura**, Nara, Japan

[73] Assignee: **Sharp Kabushiki Kaisha**, Osaka, Japan

Primary Examiner—Freda Nunn
Attorney, Agent, or Firm—Nixon & Vanderhye

[**] Term: **14 Years**

[21] Appl. No.: **29/102,850**

[22] Filed: **Apr. 1, 1999**

[57] CLAIM

The ornamental design for an electronic computer, as shown and described.

[30] Foreign Application Priority Data

Oct. 2, 1998 [JP] Japan 10-28433

DESCRIPTION

[51] **LOC (7) Cl.** **14-02**

[52] **U.S. Cl.** **D14/100; D14/126**

[58] **Field of Search** D14/100, 101,
D14/106, 113, 126-129; 361/708.1; 345/104,
133, 156, 168, 173; 348/180, 184, 325,
739; 341/12; 248/918-924; 349/1, 2, 11,
62

FIG. 1 is a top, front and right side perspective view of an electronic computer according to my design;

FIG. 2 is a top plan view thereof;

FIG. 3 is a front elevational view thereof;

FIG. 4 is a left side elevational view thereof;

FIG. 5 is a right side elevational view thereof;

FIG. 6 is a rear elevational view thereof; and,

FIG. 7 is a bottom plan view thereof.

[56] References Cited

U.S. PATENT DOCUMENTS

D. 361,550 8/1995 Mundt et al. D14/100

1 Claim, 5 Drawing Sheets

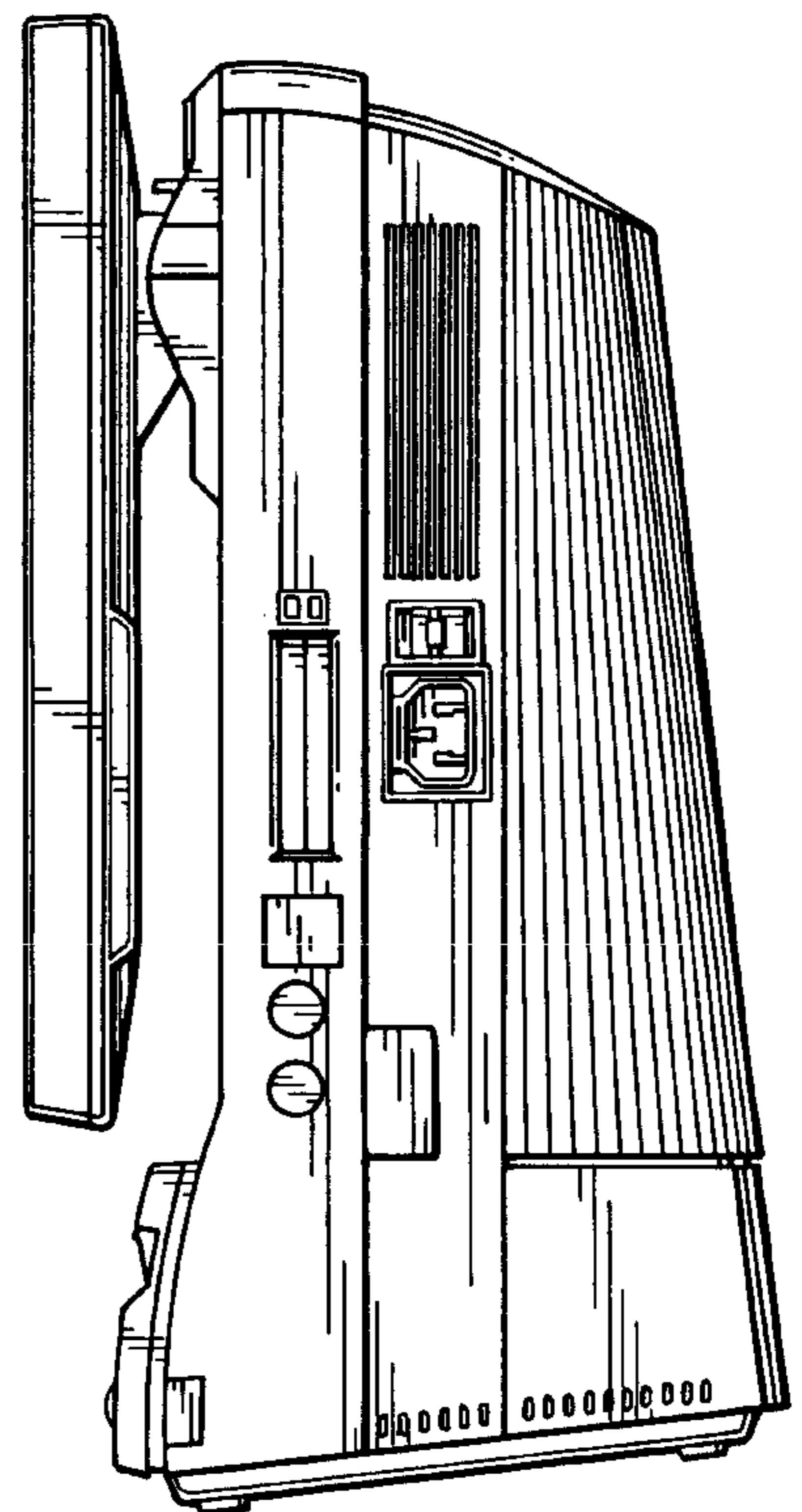
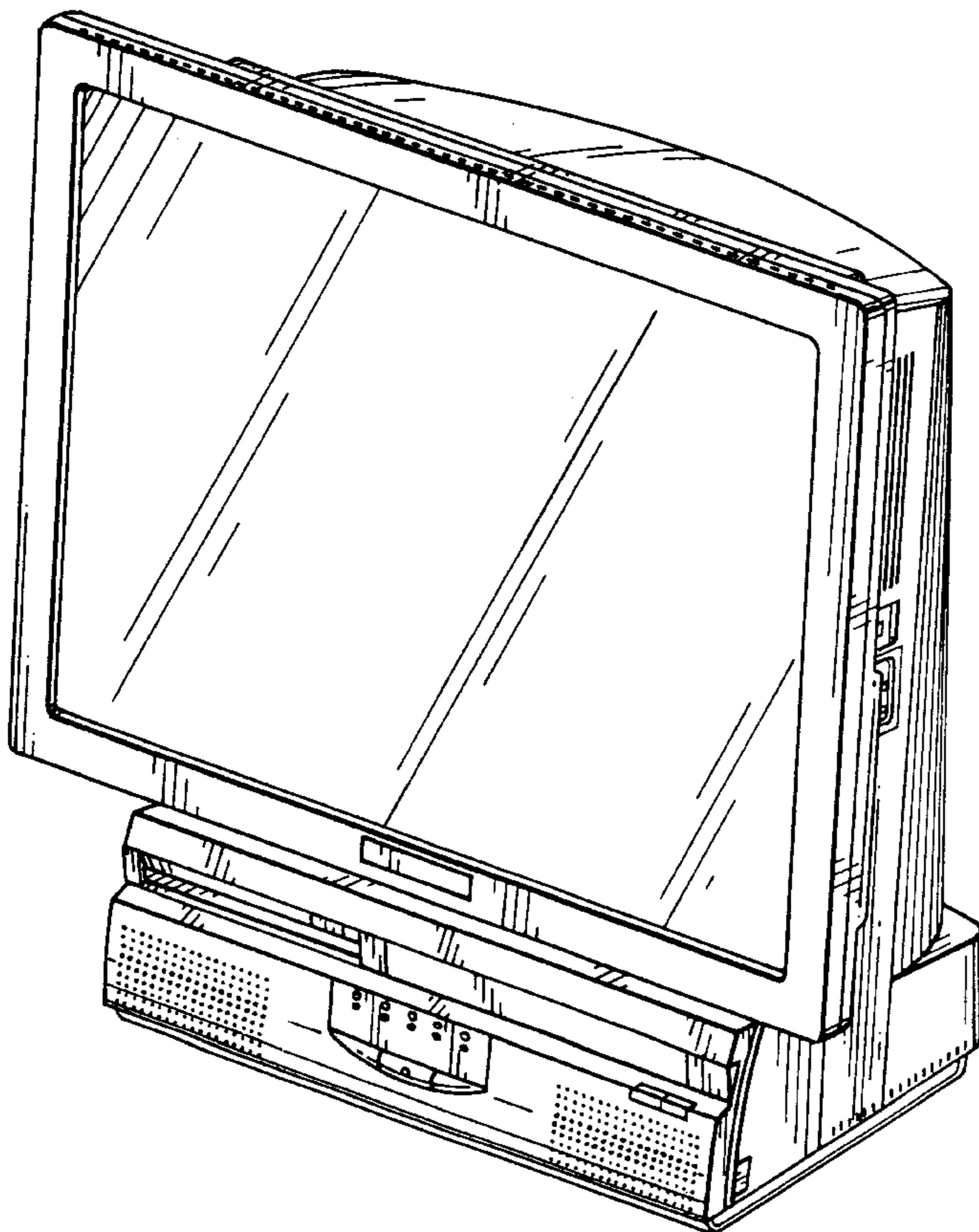


FIG. 1

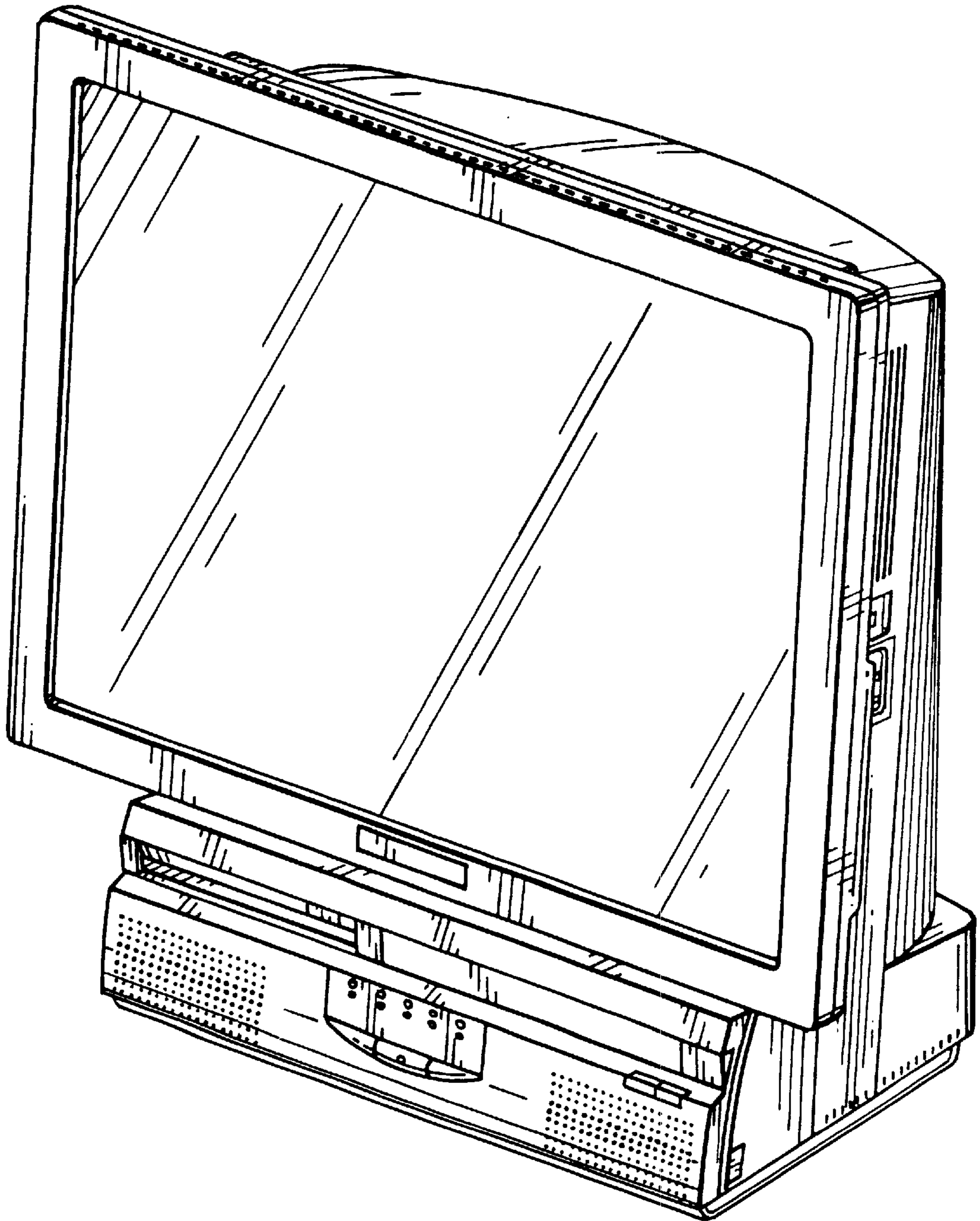


FIG. 2

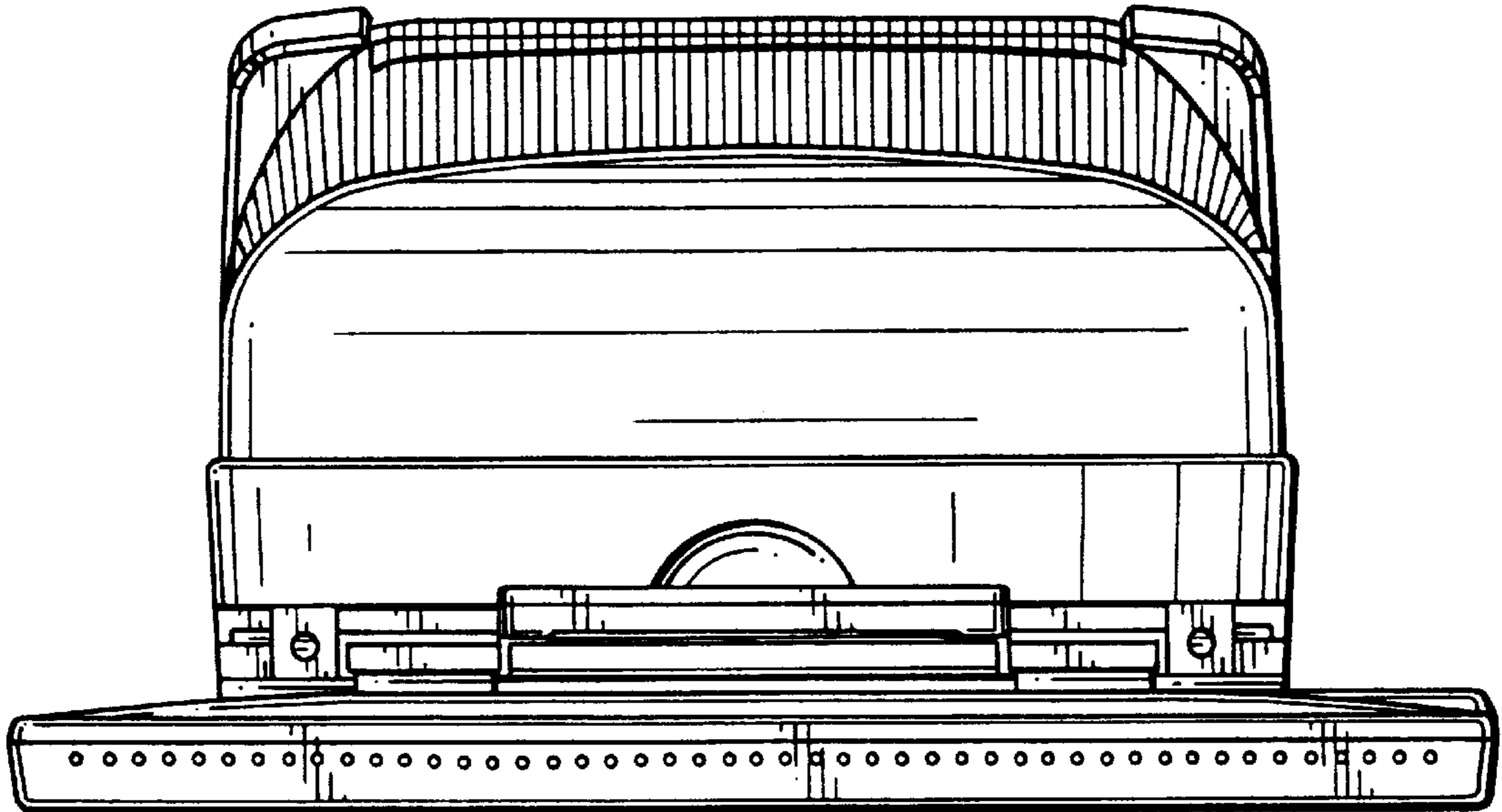
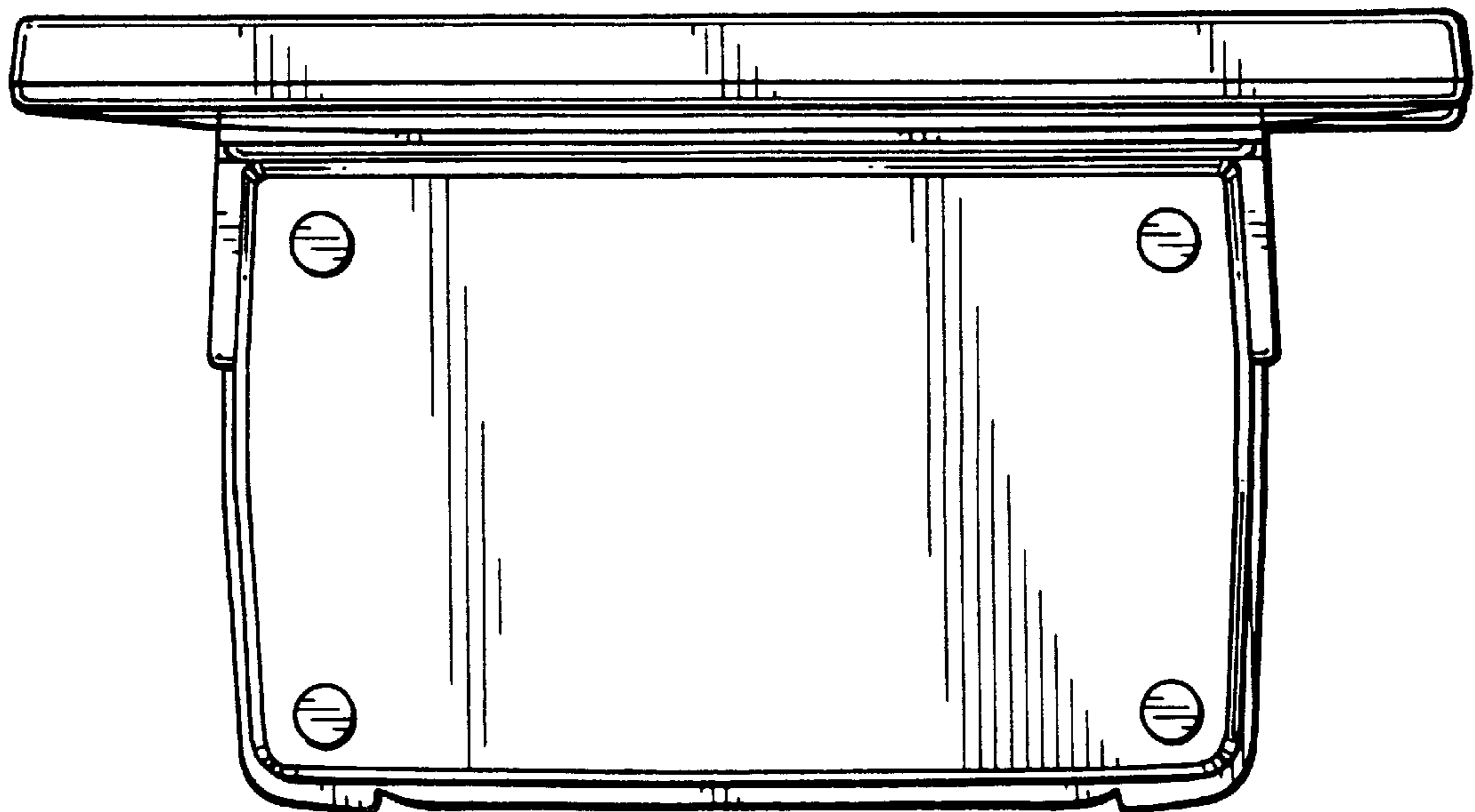


FIG. 7



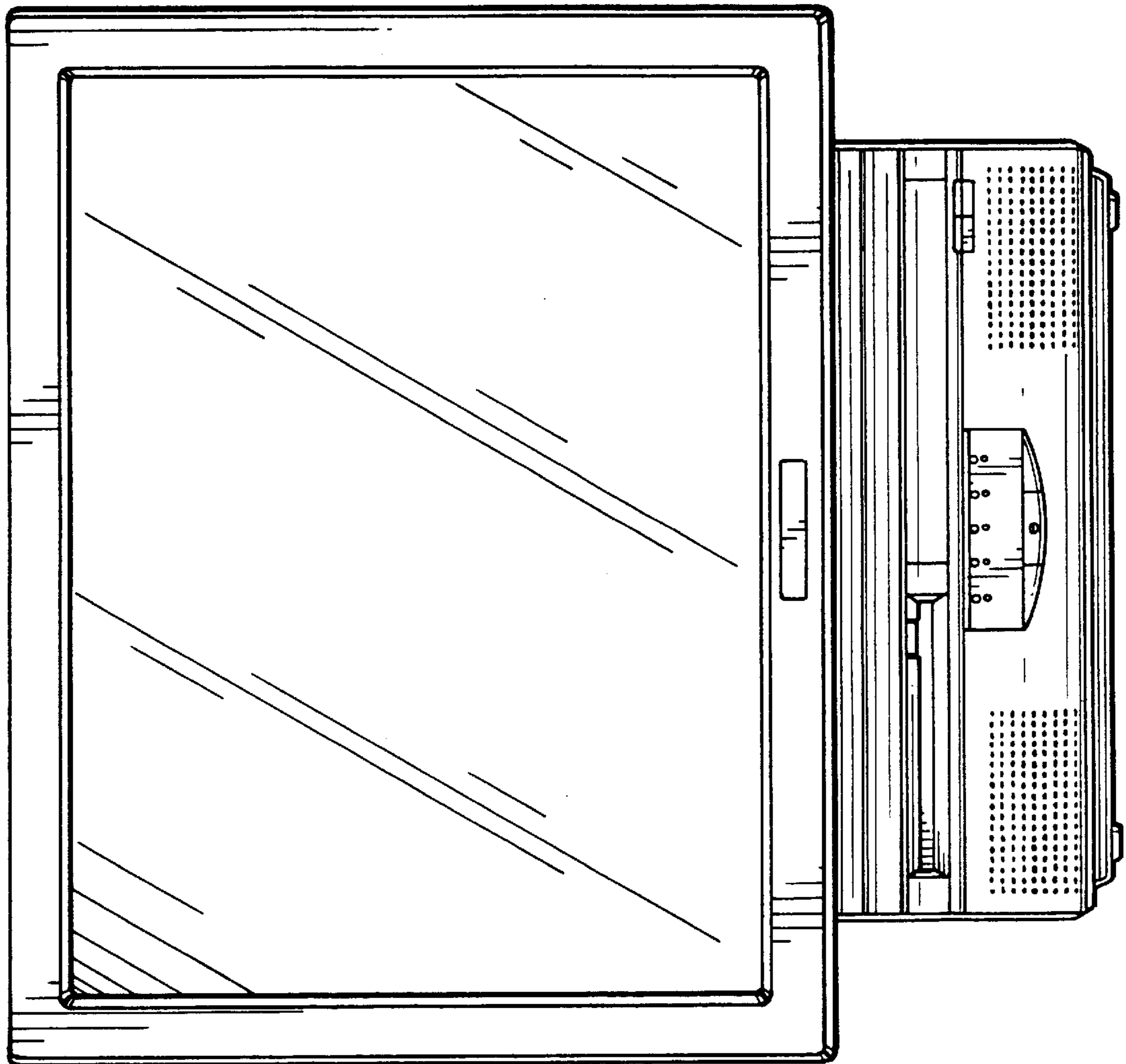
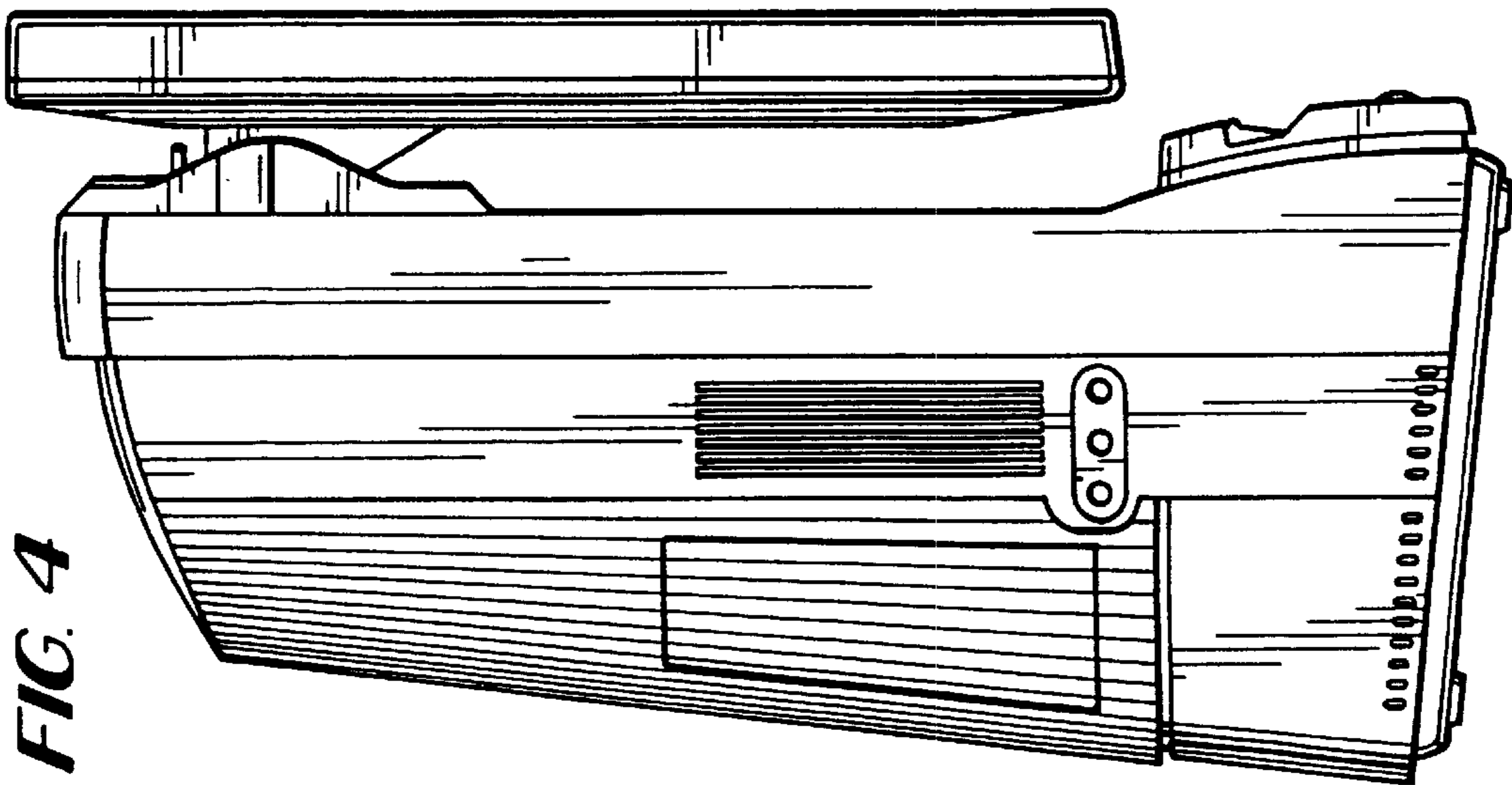
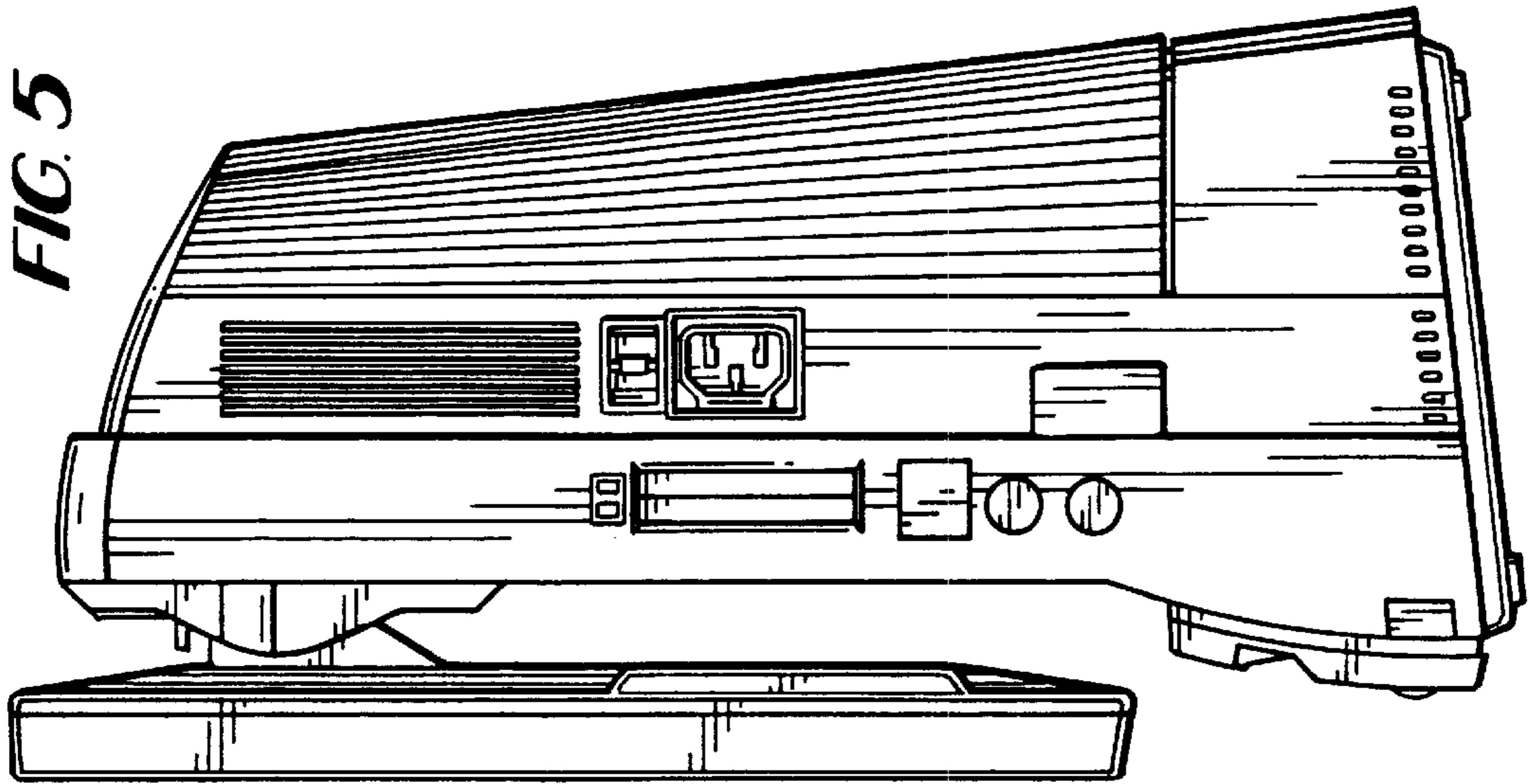


FIG. 3



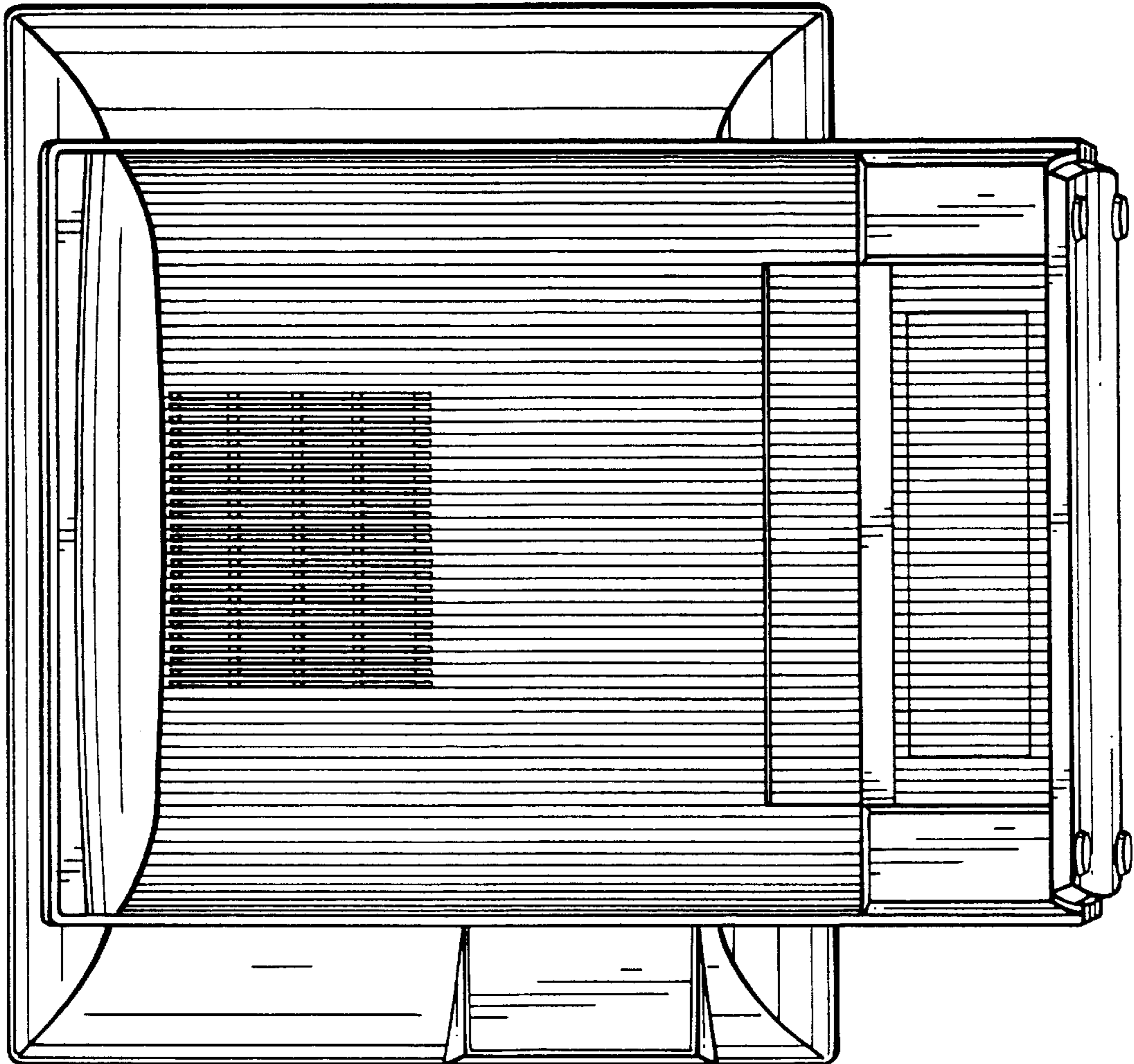


FIG. 6