



US00D419533S

United States Patent [19] Smith

[11] Patent Number: **Des. 419,533**

[45] Date of Patent: **** Jan. 25, 2000**

[54] CASSETTE

[75] Inventor: **Jan Anders Gustaf Smith, Årsta, Sweden**

[73] Assignee: **Telefonaktiebolaget LM Ericsson, Stockholm, Sweden**

[**] Term: **14 Years**

[21] Appl. No.: **29/098,537**

[22] Filed: **Dec. 30, 1998**

[30] **Foreign Application Priority Data**

Aug. 28, 1998 [SE] Sweden 98-1700

[51] LOC (7) Cl. **13-03**

[52] U.S. Cl. **D13/184**

[58] Field of Search D13/184; 361/600, 361/679, 683, 684, 685, 686

[56] **References Cited**

U.S. PATENT DOCUMENTS

D. 316,853 5/1991 Dickey D13/184 X

D. 333,655	3/1993	Weber	D13/184 X
D. 337,304	7/1993	Lubbe et al.	D13/184 X
D. 402,965	12/1998	Bender	D13/184 X
5,729,060	3/1998	Shih	361/685 X
5,767,445	6/1998	Wu	361/685 X
5,896,273	4/1999	Varghese et al.	361/683 X

Primary Examiner—Brian N. Vinson
Attorney, Agent, or Firm—Burns, Doane, Swecker & Mathis, L.L.P.

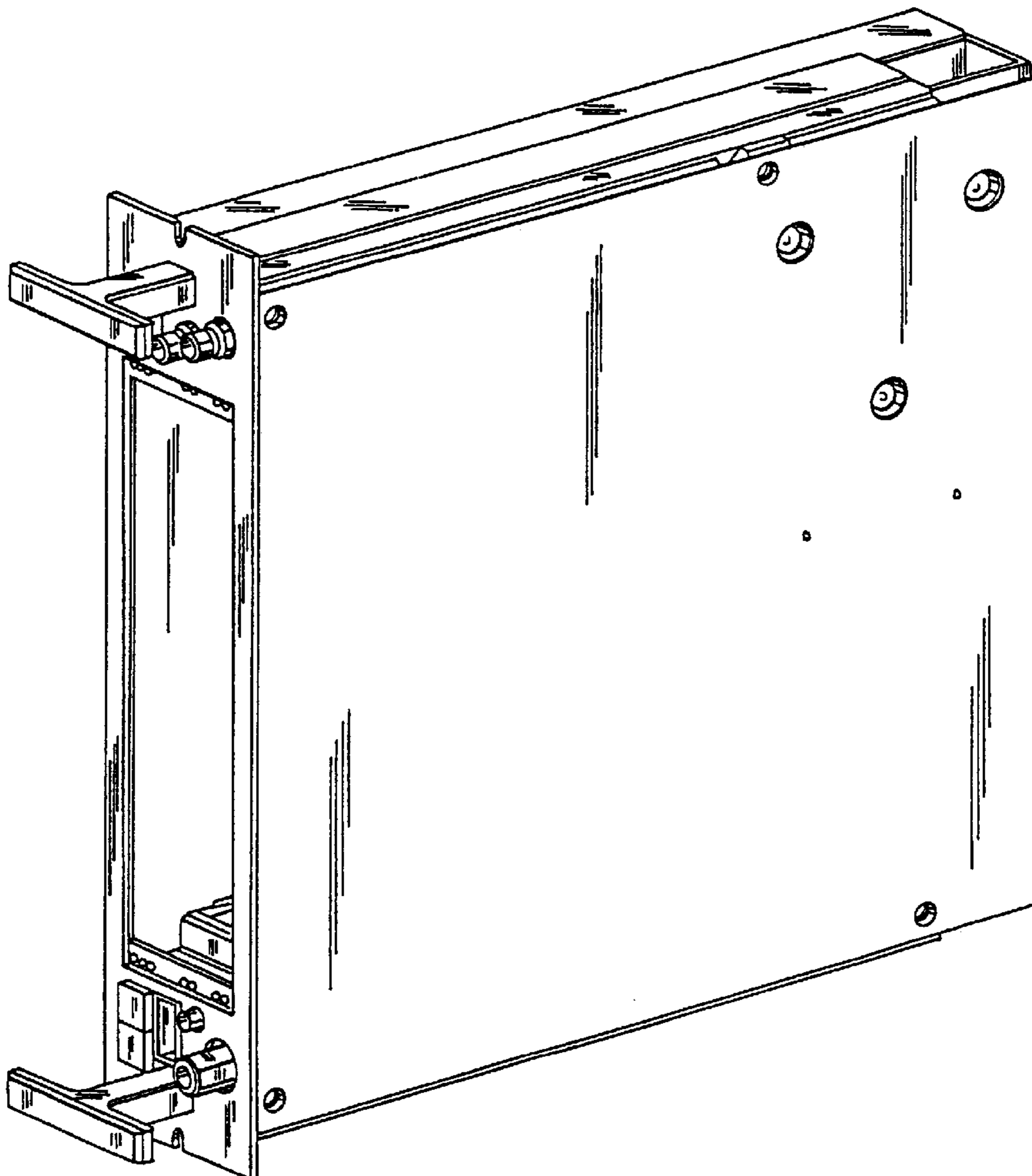
[57] **CLAIM**

The ornamental design for a cassette, as shown and described.

DESCRIPTION

FIG. 1 is a front, right side, and top perspective view of a cassette showing my new design;
FIG. 2 is a right side elevational view thereof;
FIG. 3 is a top plan view thereof;
FIG. 4 is a front elevational view thereof;
FIG. 5 is a left side elevational view thereof;
FIG. 6 is a bottom plan view thereof; and,
FIG. 7 is a rear elevational view thereof.

1 Claim, 3 Drawing Sheets



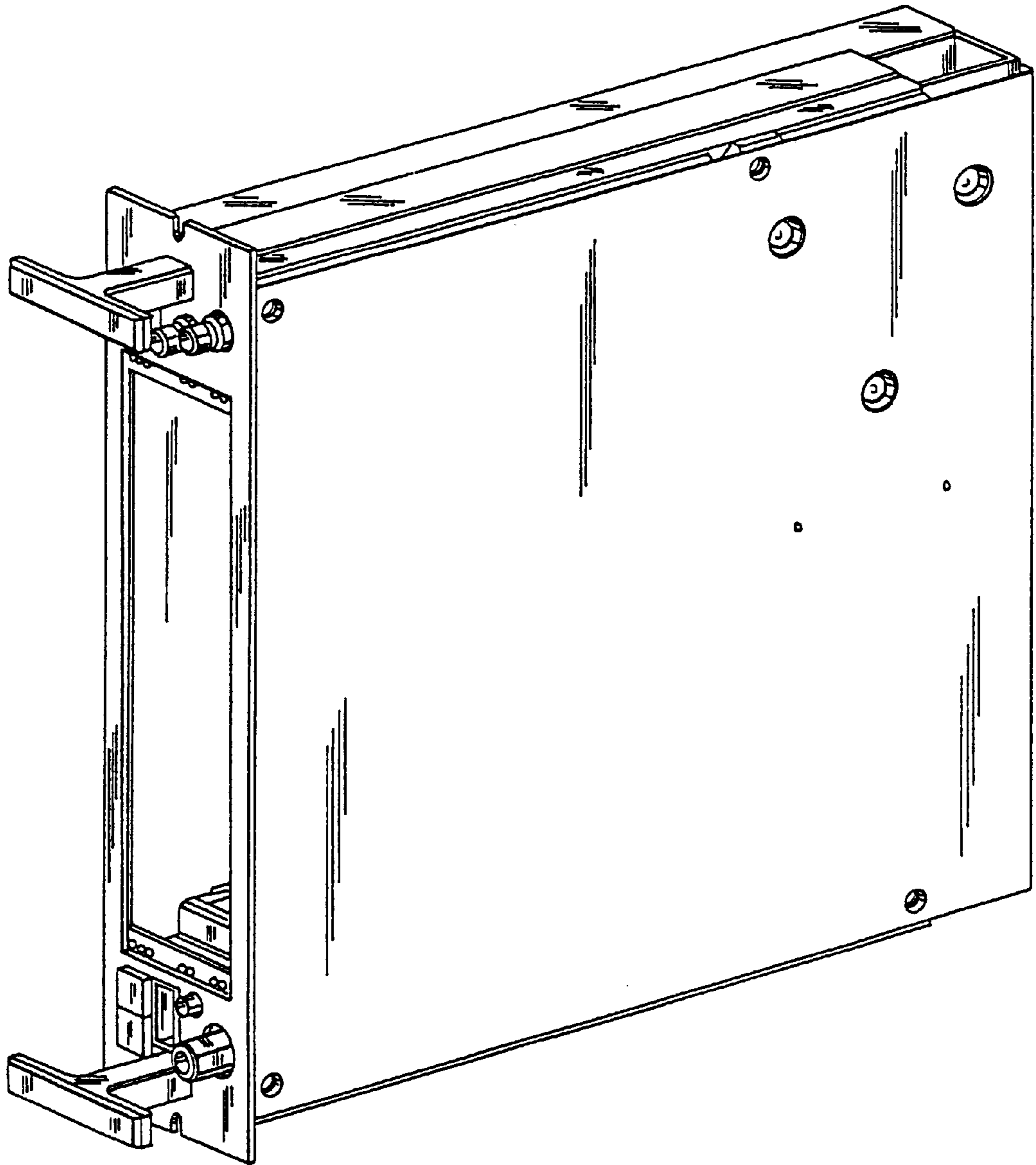


FIG. 1

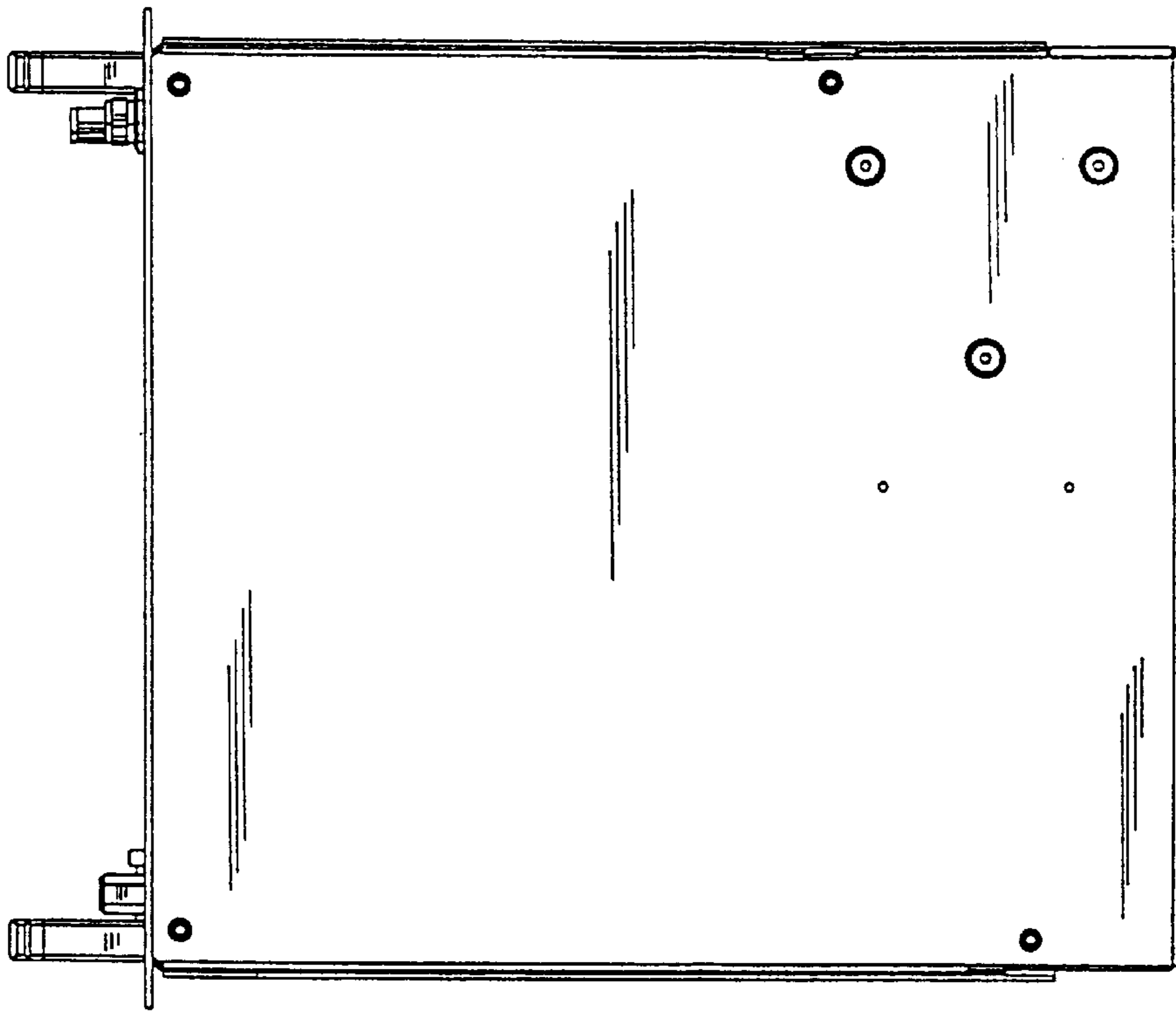


FIG. 2

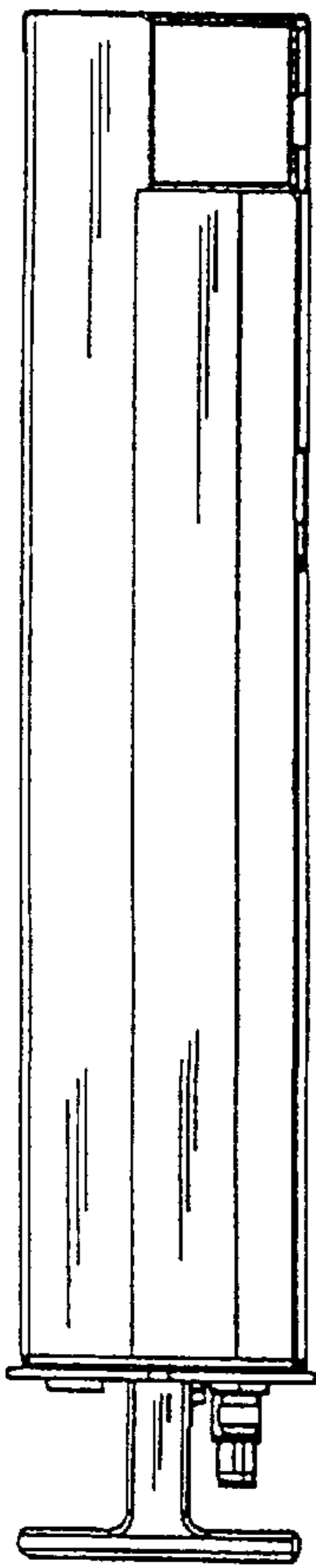


FIG. 3

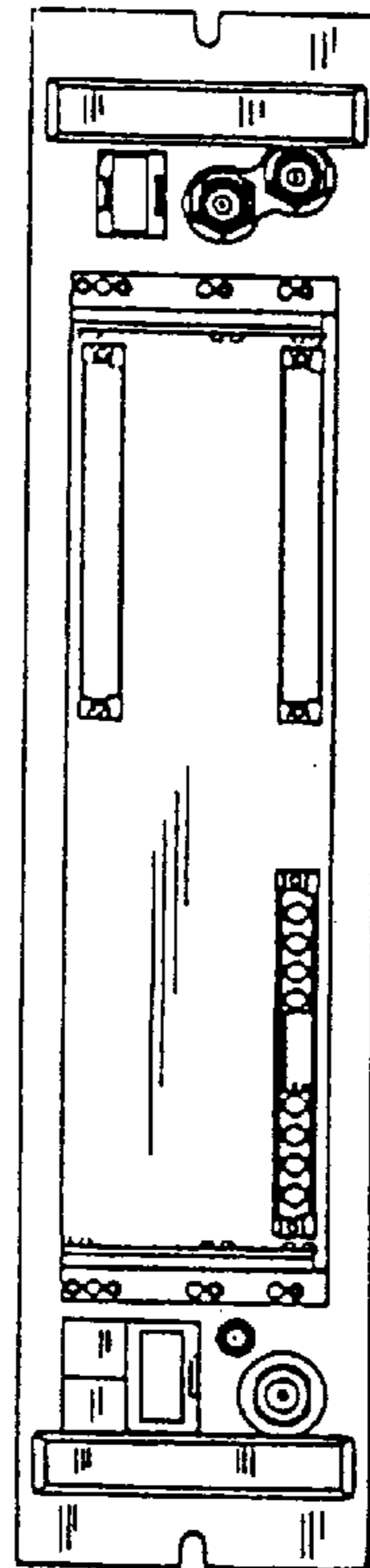


FIG. 4

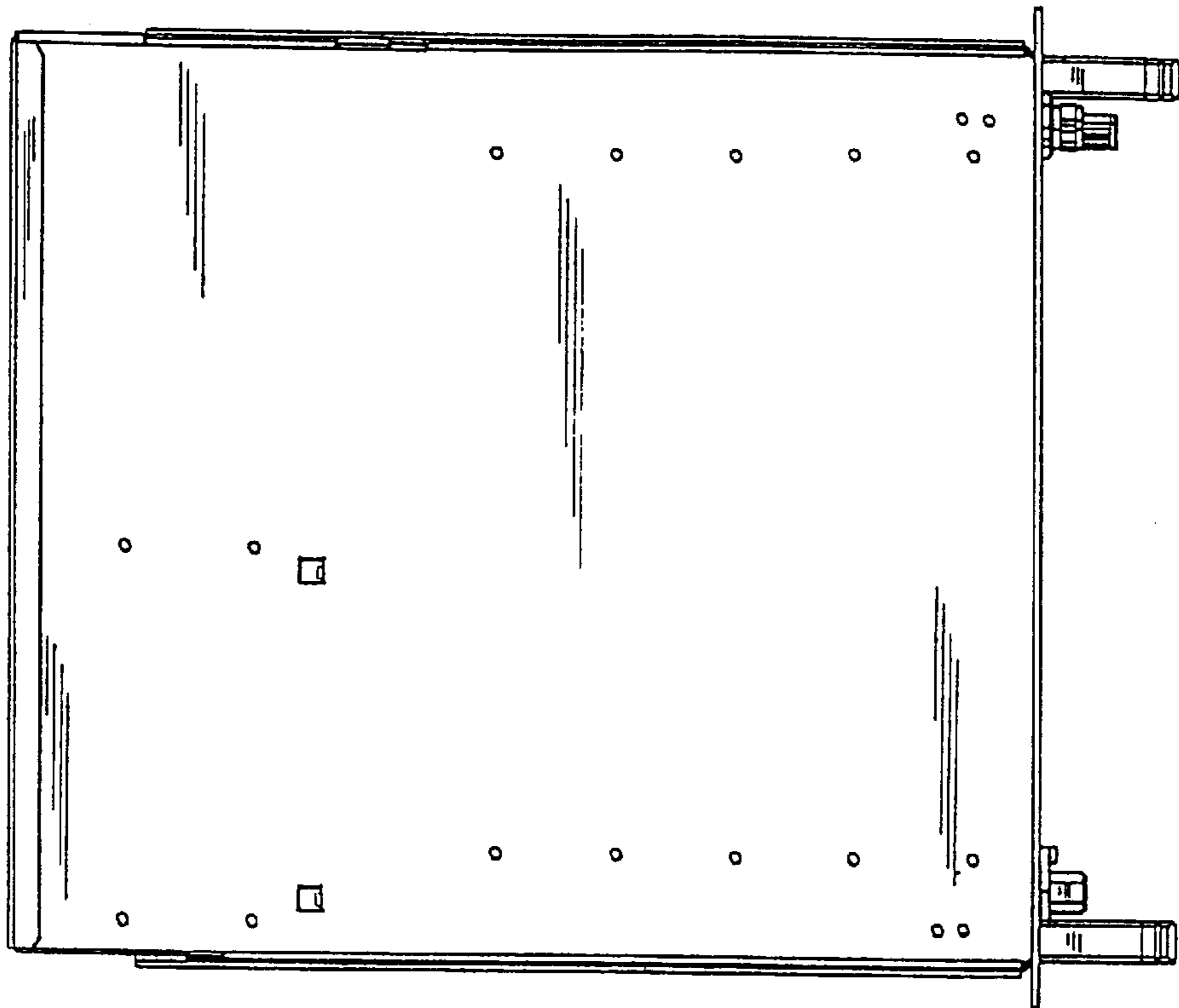


FIG. 5

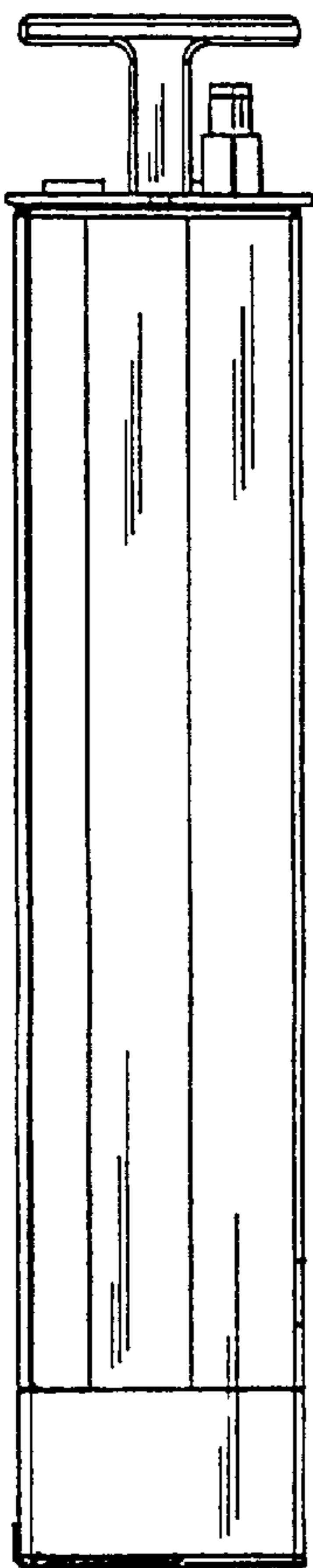


FIG. 6

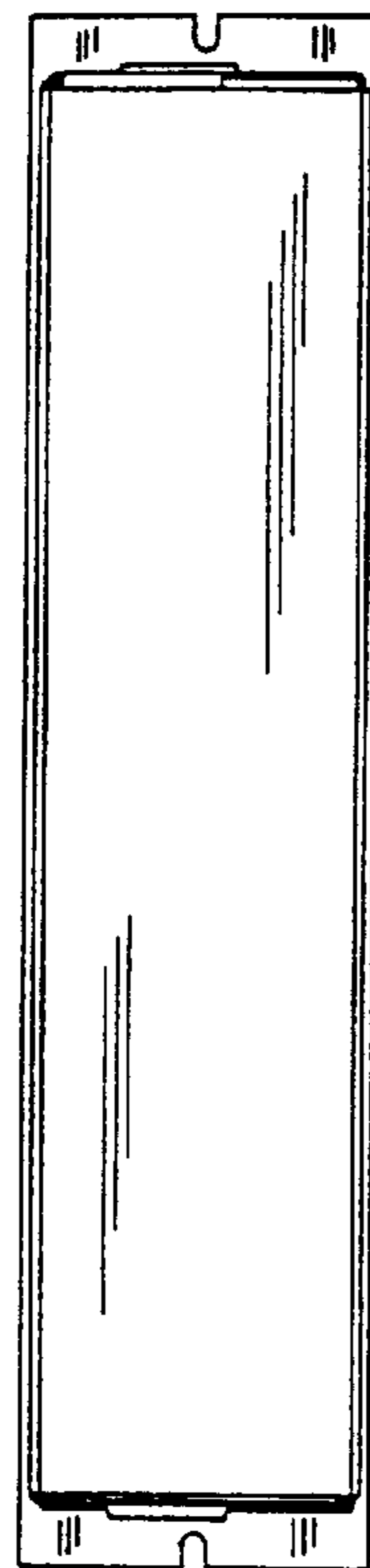


FIG. 7