



US00D419531S

# United States Patent [19]

[11] **Patent Number: Des. 419,531**

**Keung et al.**

[45] **Date of Patent: \*\* Jan. 25, 2000**

[54] **GROUND FAULT CIRCUIT INTERRUPTER**

D. 269,510	6/1983	Doyle et al. ....	D13/139.3
D. 358,368	5/1995	Howard et al. ....	D13/160
3,931,601	1/1976	Anderson .....	361/46
4,872,087	10/1989	Brant .....	361/658

[75] Inventors: **Wan Yiu Keung**, Tai Po; **Cheng Wai Chun**, Kowloon, both of The Hong Kong Special Administrative Region of the People's Republic of China

*Primary Examiner*—Adir Aronovich  
*Attorney, Agent, or Firm*—Thomas L. Adams, Esq.

[73] Assignee: **Rototech Electrical Components**, Hicksville, N.Y.

[57] **CLAIM**

[\*\*] Term: **14 Years**

The ornamental design for a ground fault circuit interrupter, as shown and described.

[21] Appl. No.: **29/095,575**

**DESCRIPTION**

[22] Filed: **Oct. 26, 1998**

FIG. 1 is an axonometric view of a ground fault circuit interrupter showing our new design;

[51] **LOC (7) Cl.** ..... **13-03**

FIG. 2 is a top plan view thereof;

[52] **U.S. Cl.** ..... **D13/160; D13/139.3**

FIG. 3 is a front elevational view thereof, the rear elevational view being a mirror image;

[58] **Field of Search** ..... D13/138.1, 138.2, D13/139.3, 160, 162, 178; 361/42, 45, 46, 50, 115, 658

FIG. 4 is a bottom plan view thereof;

FIG. 5 is a right side elevational view thereof; and,

FIG. 6 is a left side elevational view thereof.

[56] **References Cited**

**U.S. PATENT DOCUMENTS**

D. 195,774 7/1963 Ramsing ..... D13/139.3

**1 Claim, 5 Drawing Sheets**

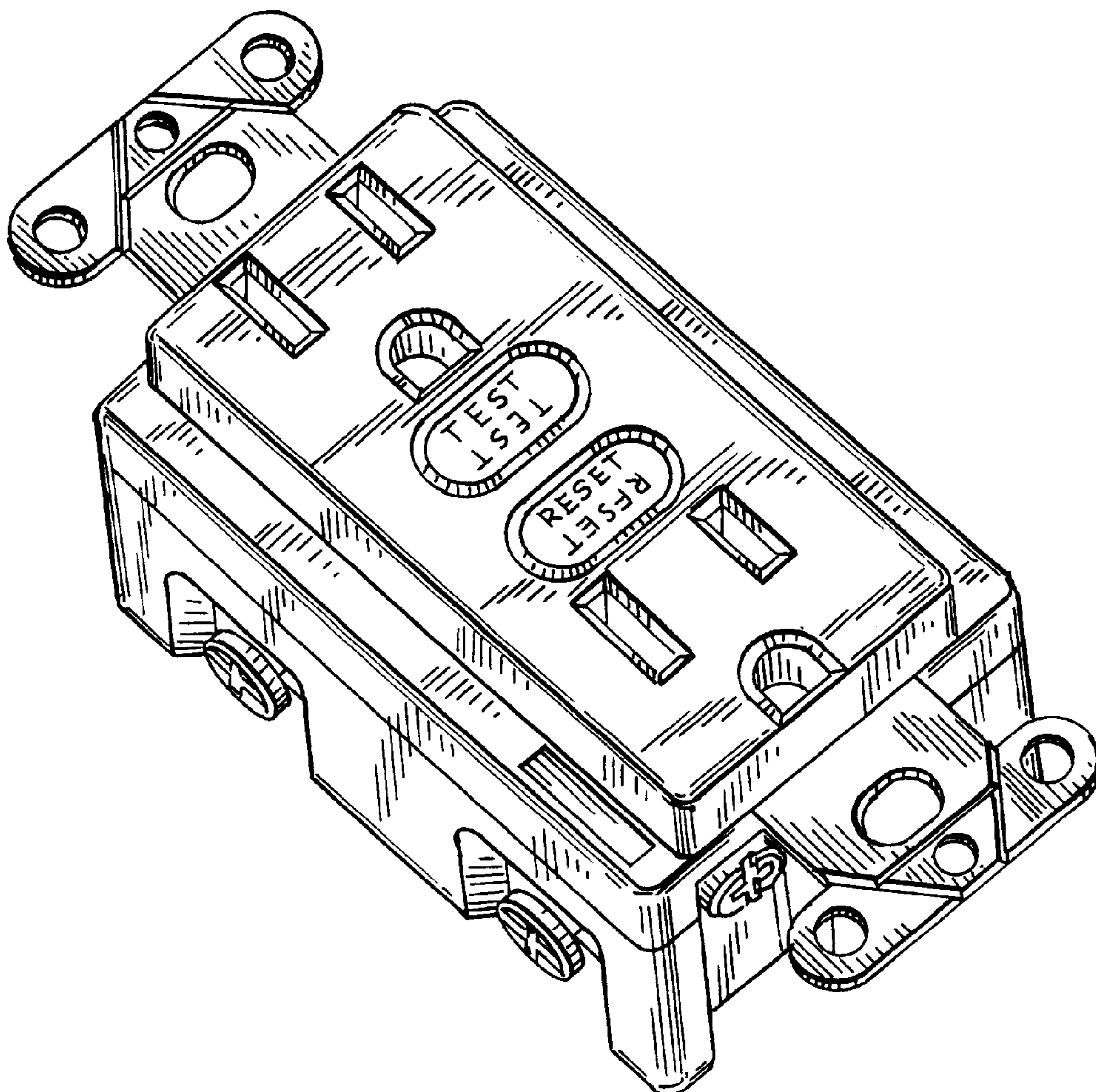


FIG. 1

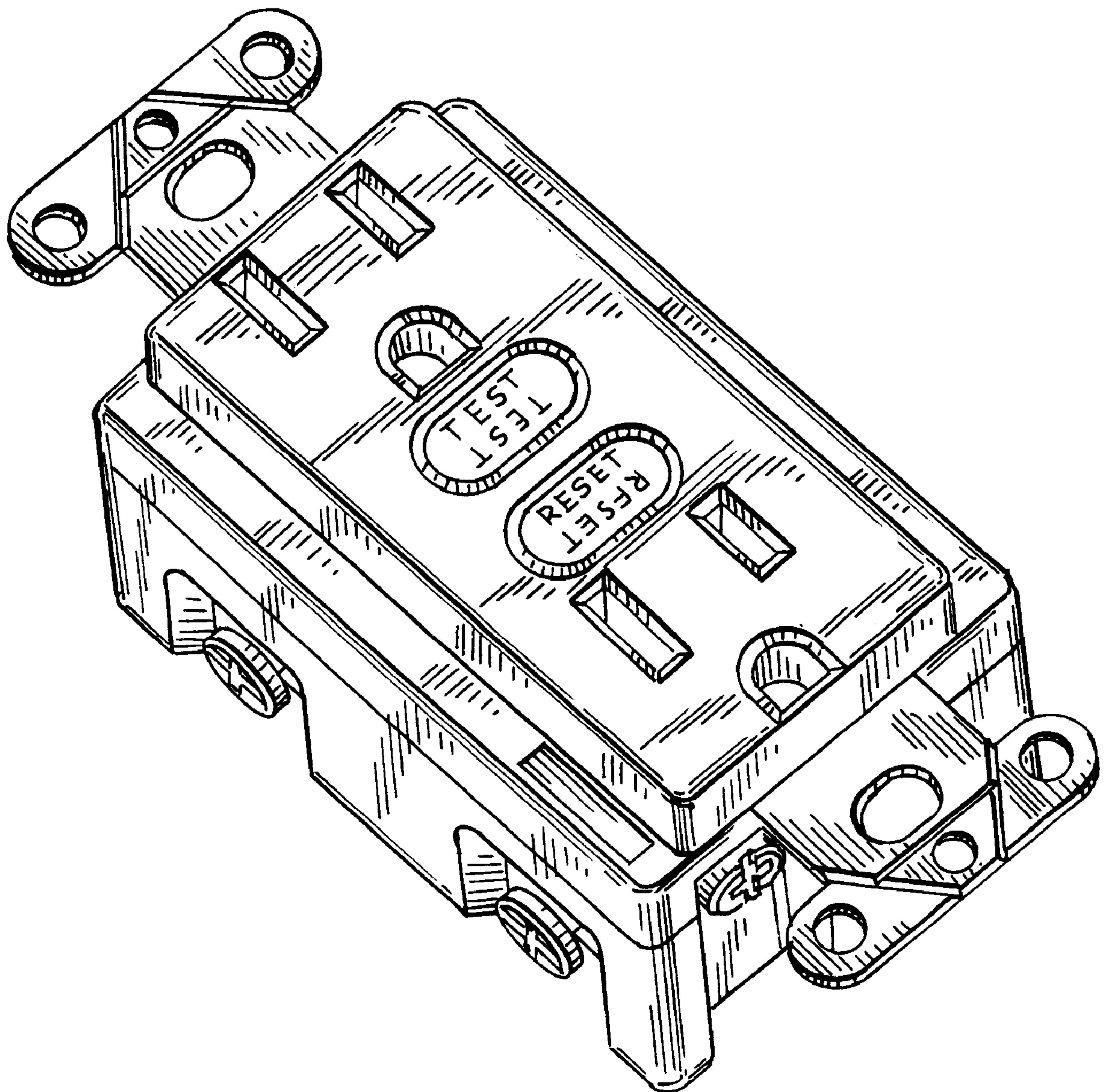




FIG. 2

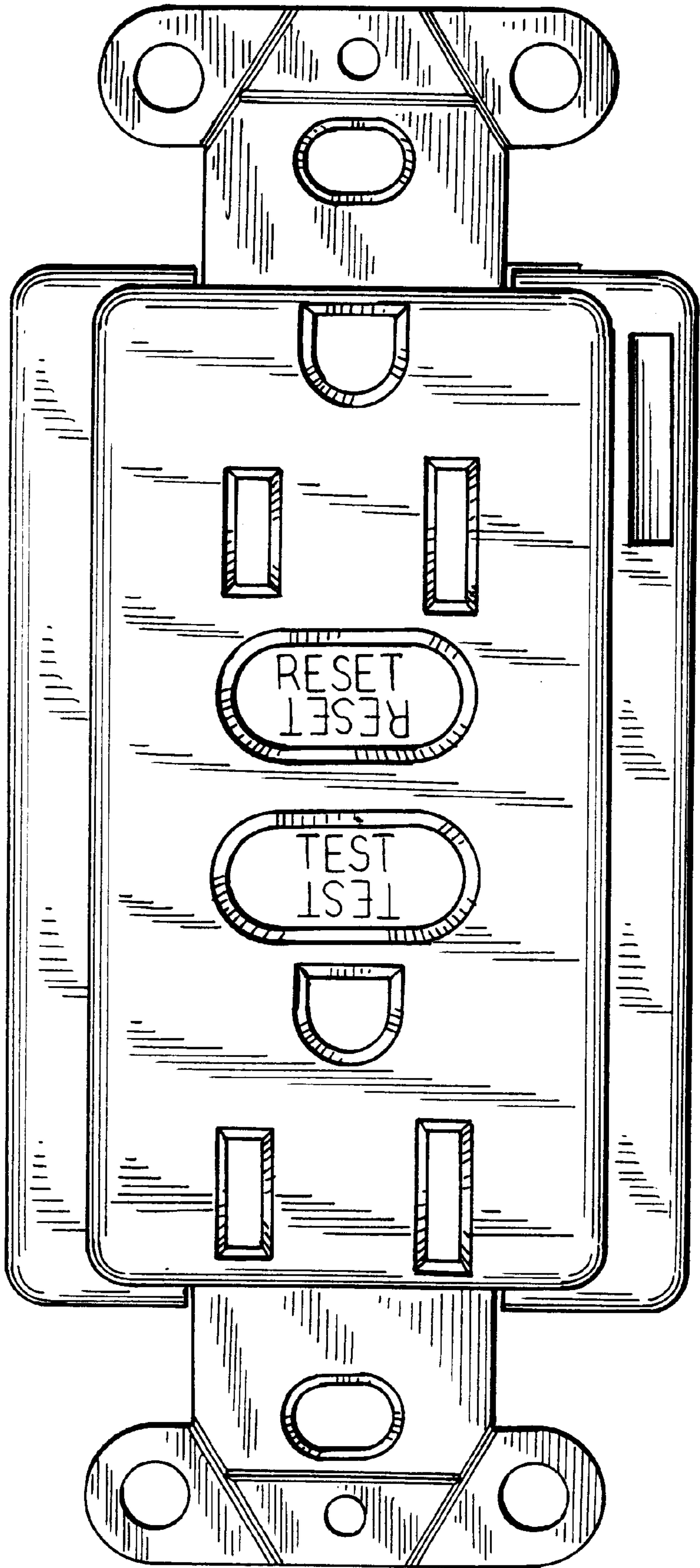


FIG. 3

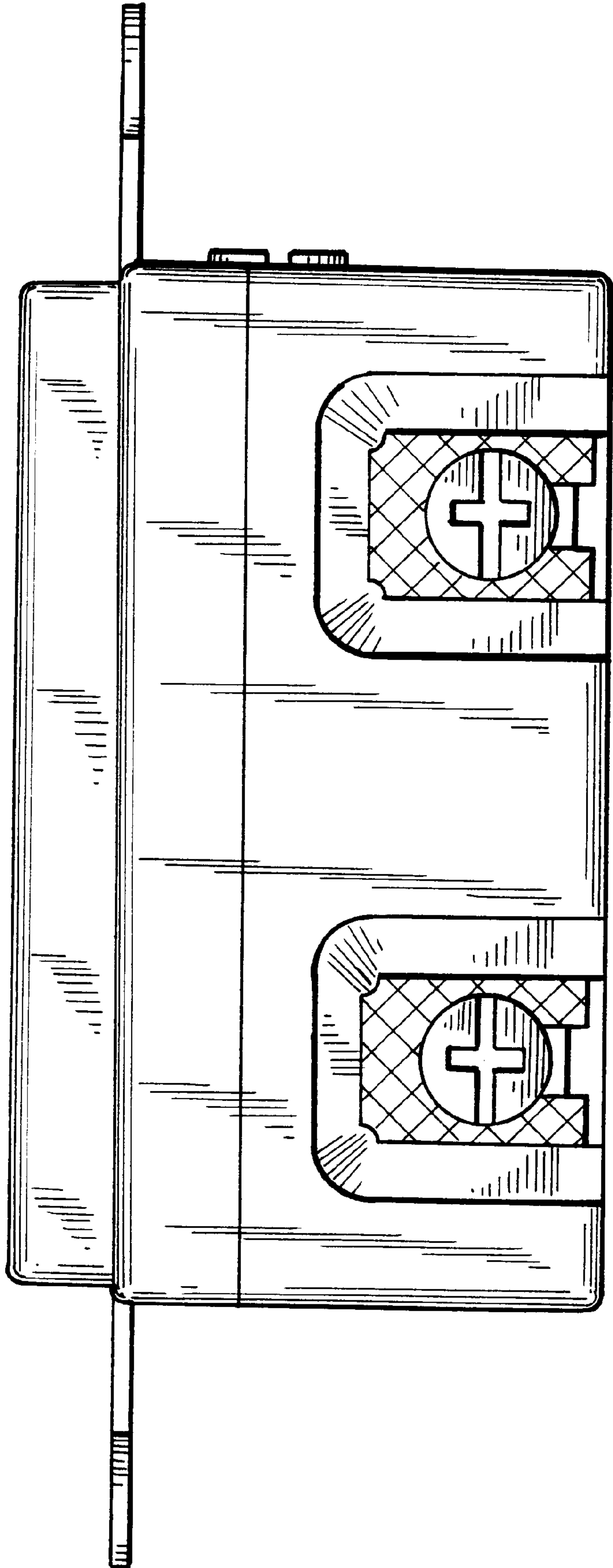


FIG. 4

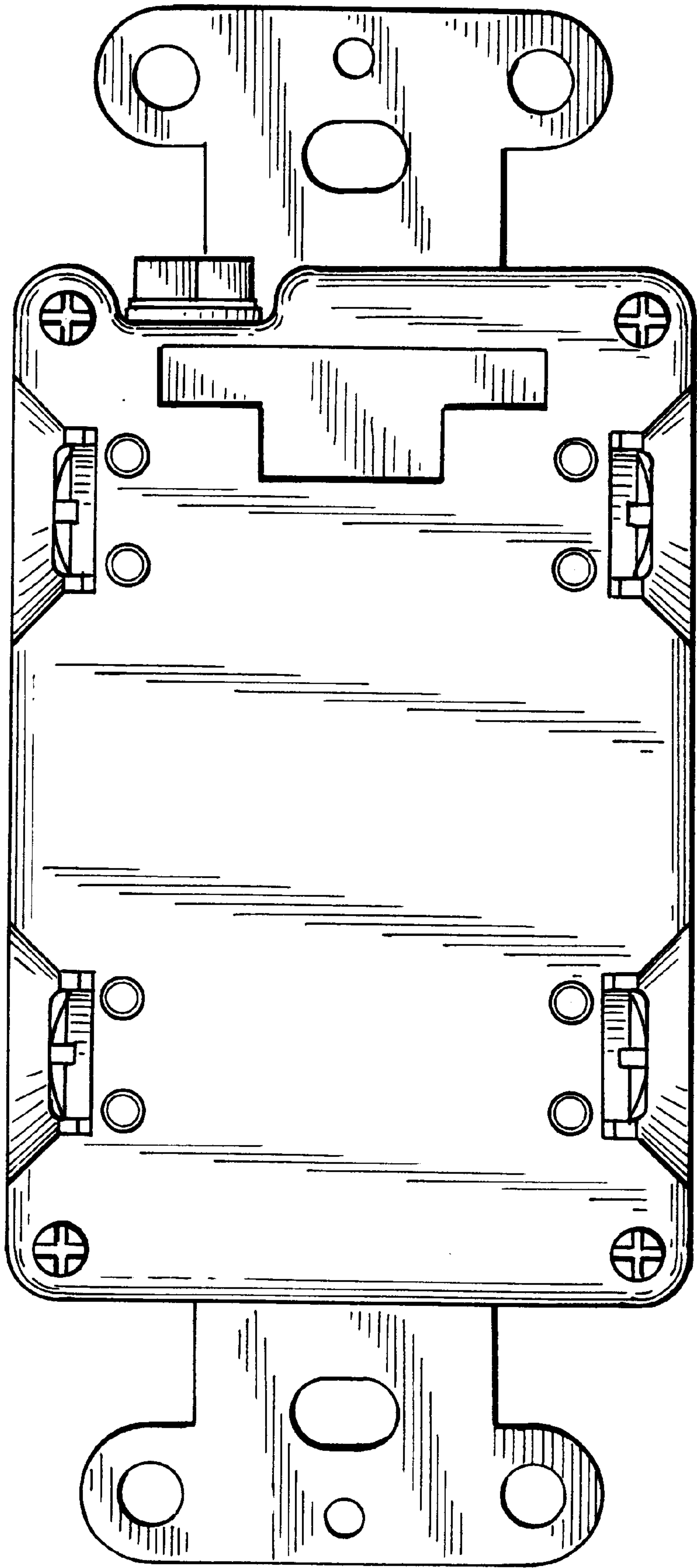


FIG. 5

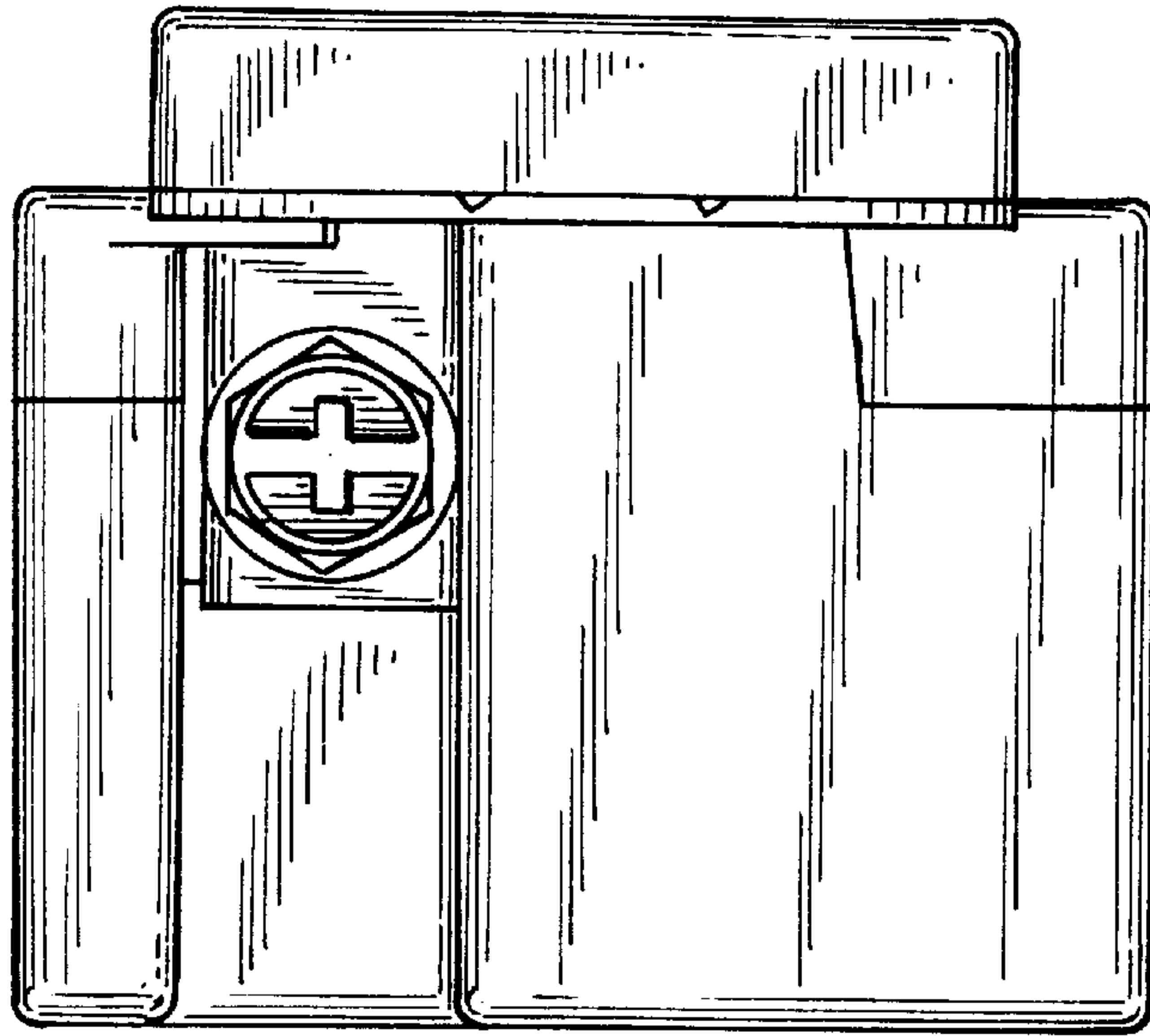


FIG. 6

