



US00D419529S

# United States Patent [19]

[11] **Patent Number: Des. 419,529**

**Nicodemus**

[45] **Date of Patent: \*\* Jan. 25, 2000**

[54] **DOOR ACTIVATED LIGHT SWITCH**

[57] **CLAIM**

[76] Inventor: **Gary L Nicodemus**, 1016 Lasalle La., Altoona, Pa. 16602

The ornamental design for a door activated light switch, as shown and described.

[\*\*] Term: **14 Years**

**DESCRIPTION**

[21] Appl. No.: **29/091,445**

FIG. 1 is a left side elevational view of the door activated light switch of the present invention;

[22] Filed: **Jul. 30, 1998**

FIG. 2 is a right side elevational view of the door activated light switch of FIG. 1;

[51] **LOC (7) Cl. .... 13-03**

FIG. 3 is a front elevational view of the door activated light switch of FIG. 1;

[52] **U.S. Cl. .... D13/158**

[58] **Field of Search .... D13/158, 159, D13/160, 184; 340/825.69, 825.72; 341/176**

FIG. 4 is a back elevational view of the door activated light switch of FIG. 1;

[56] **References Cited**

FIG. 5 is a top plan view of the door activated light switch of FIG. 1; and,

**U.S. PATENT DOCUMENTS**

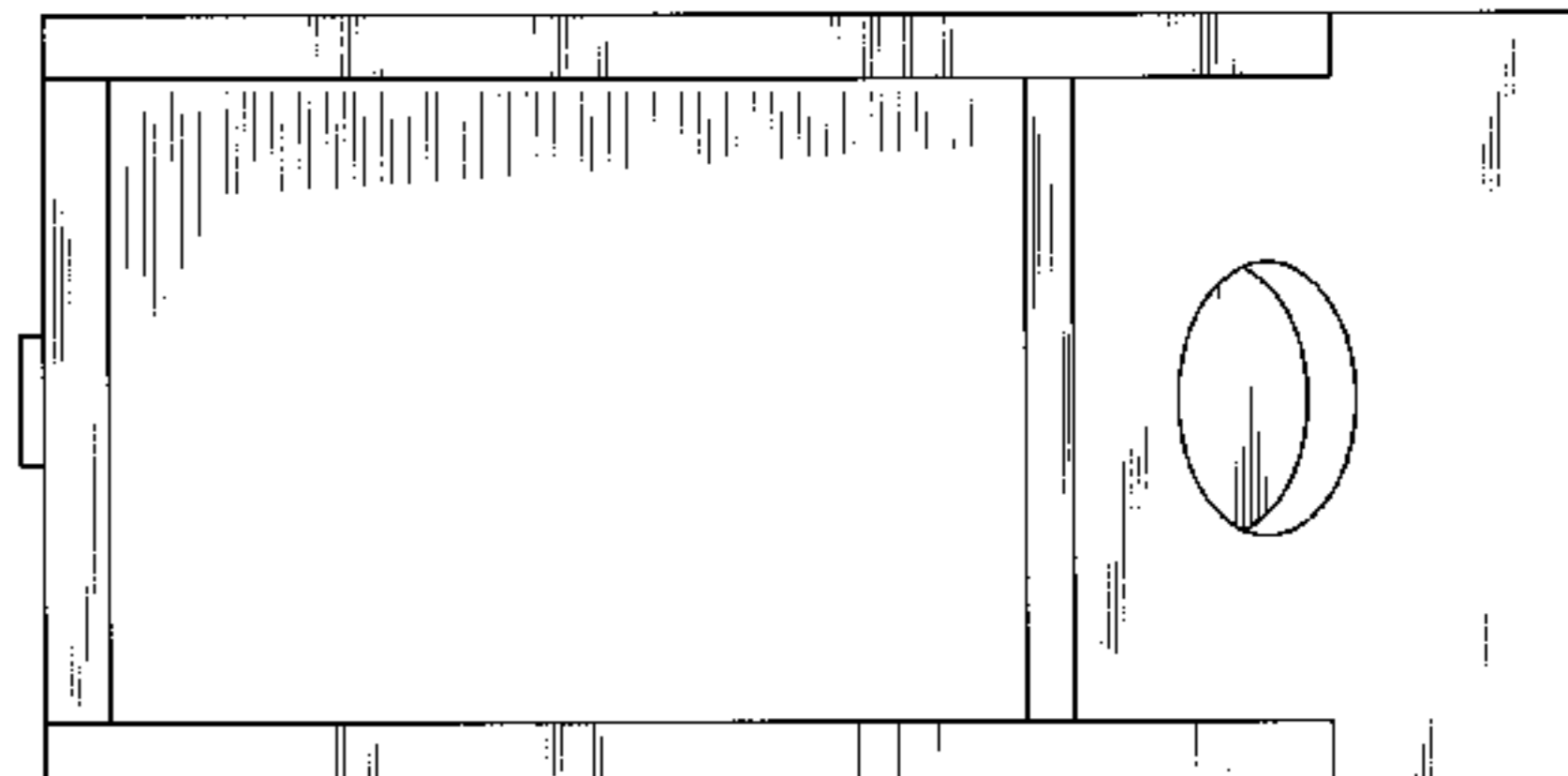
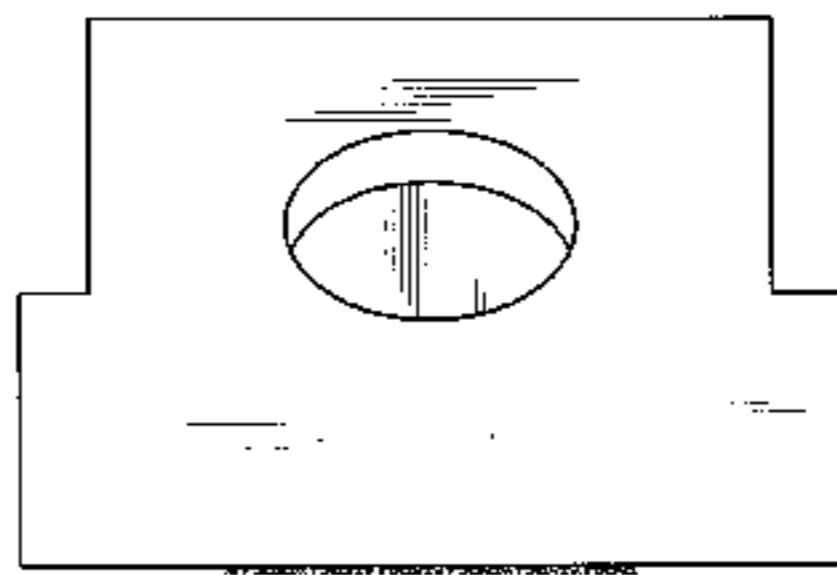
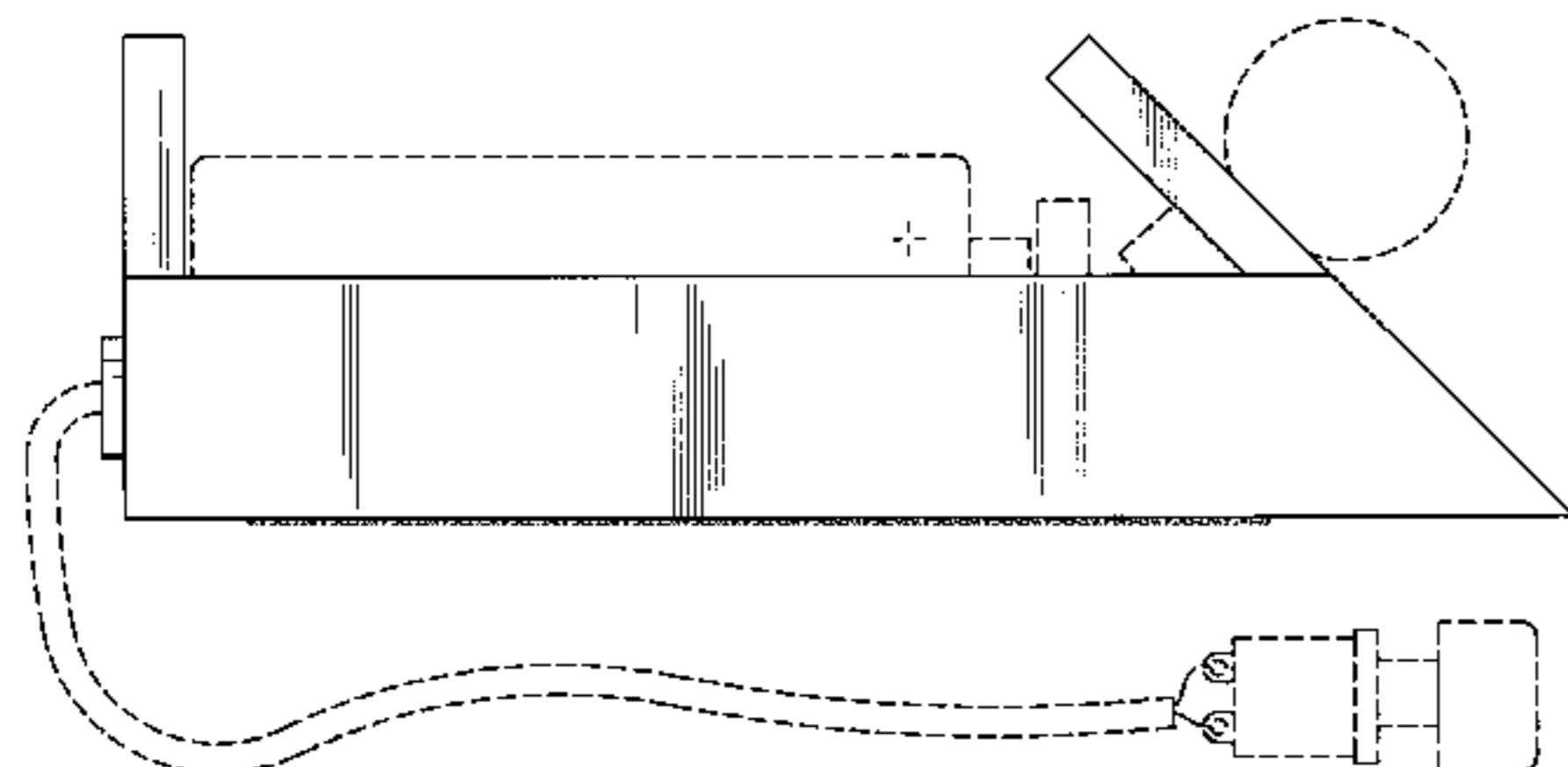
FIG. 6 is a bottom plan view of the door activated light switch of FIG. 1.

D. 316,539	4/1991	Judd et al. ....	D13/158
D. 339,107	9/1993	Van Genechten ....	D13/158
D. 403,305	12/1998	Regidor ....	D13/158
D. 403,664	1/1999	Pratt ....	D13/158

The broken lines shown in FIG. 1 are for illustrative purposes only and form no part of the claimed invention.

*Primary Examiner*—Brian N. Vinson

**1 Claim, 3 Drawing Sheets**



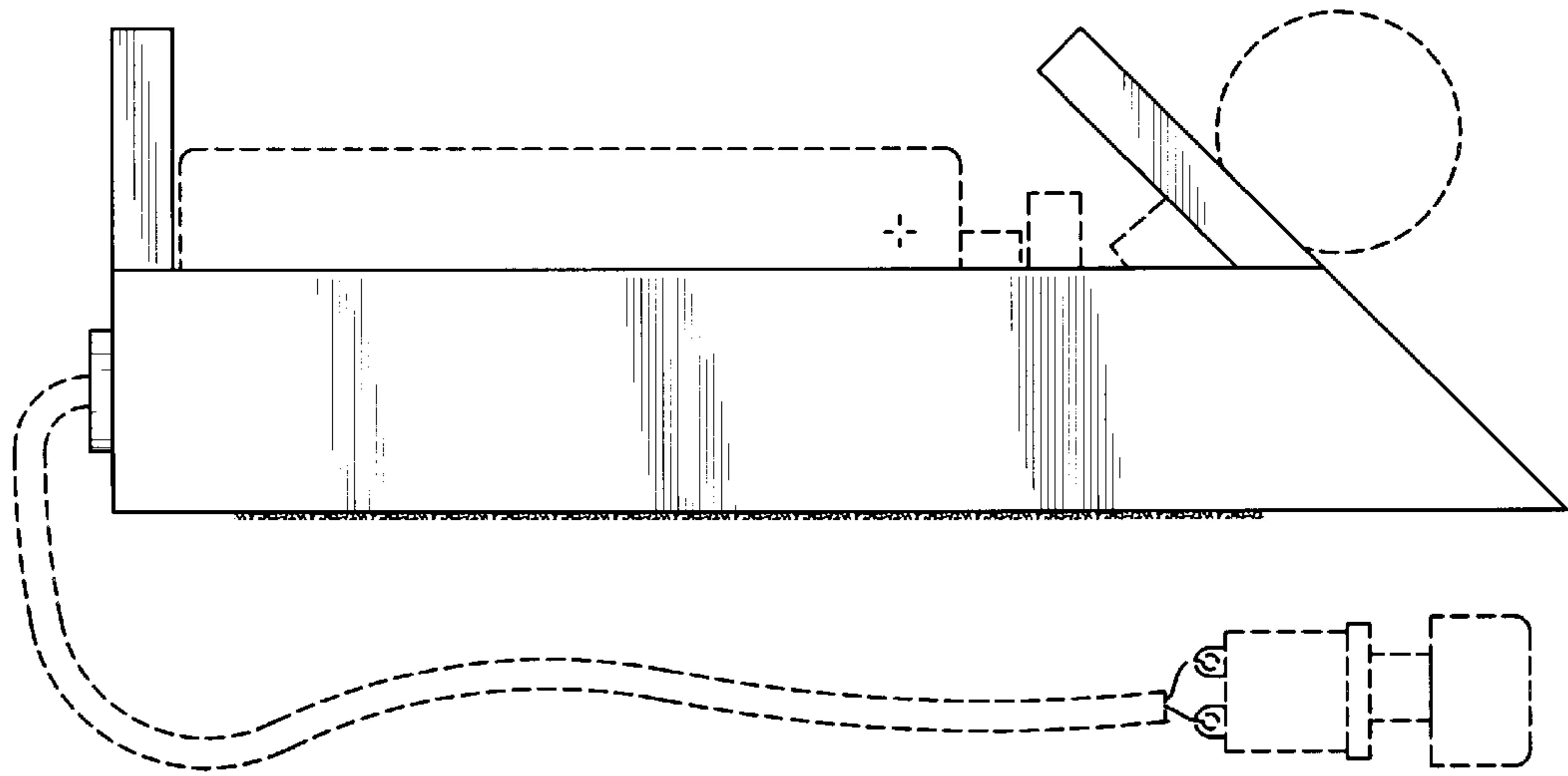


FIG. 1

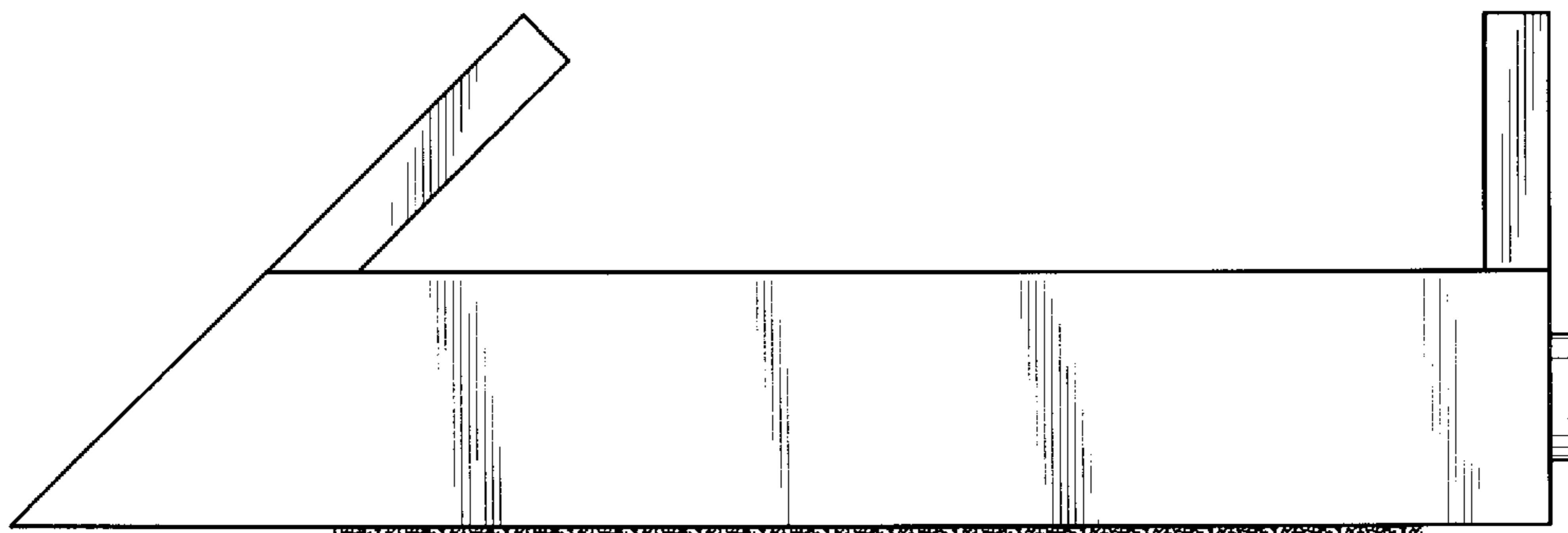
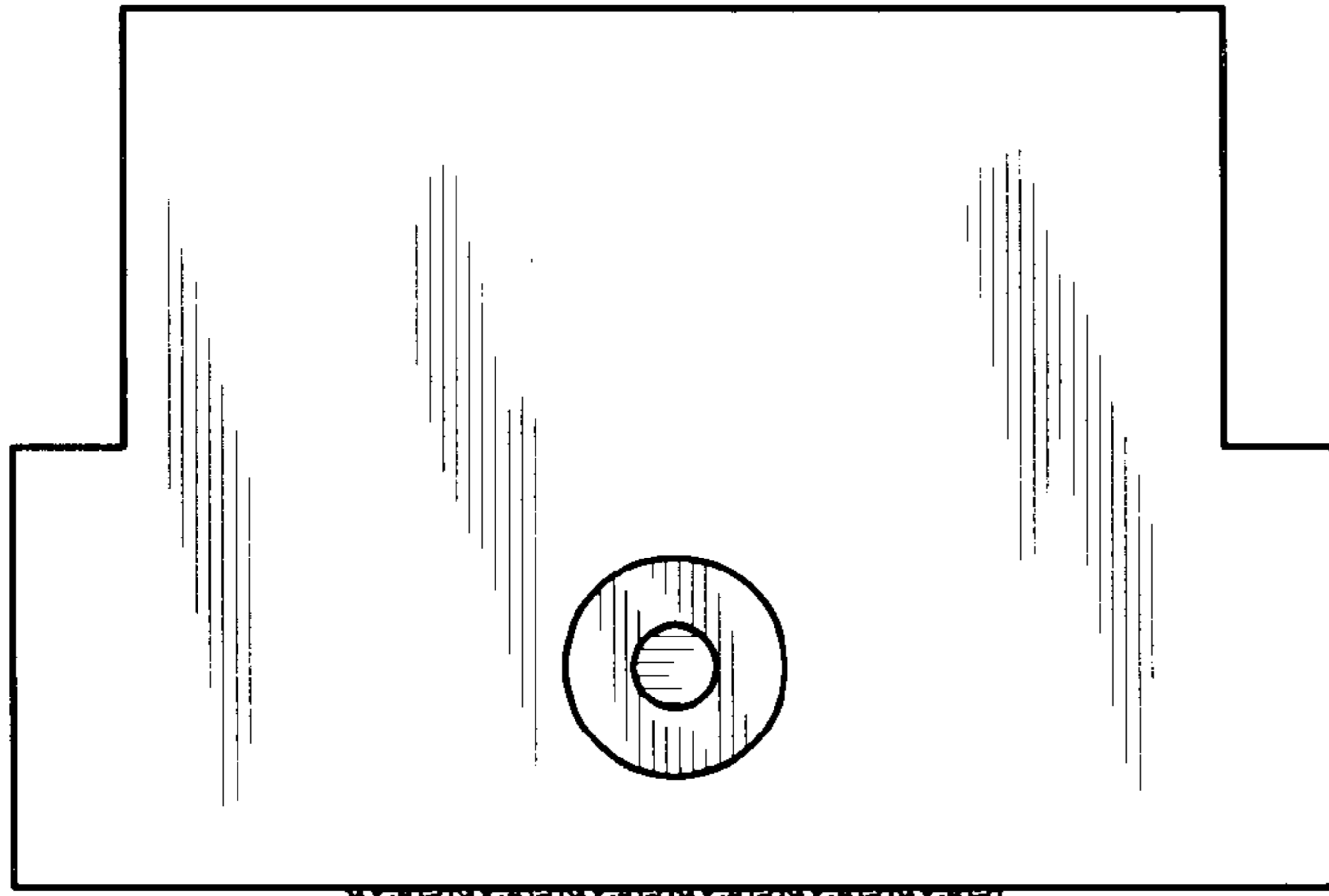
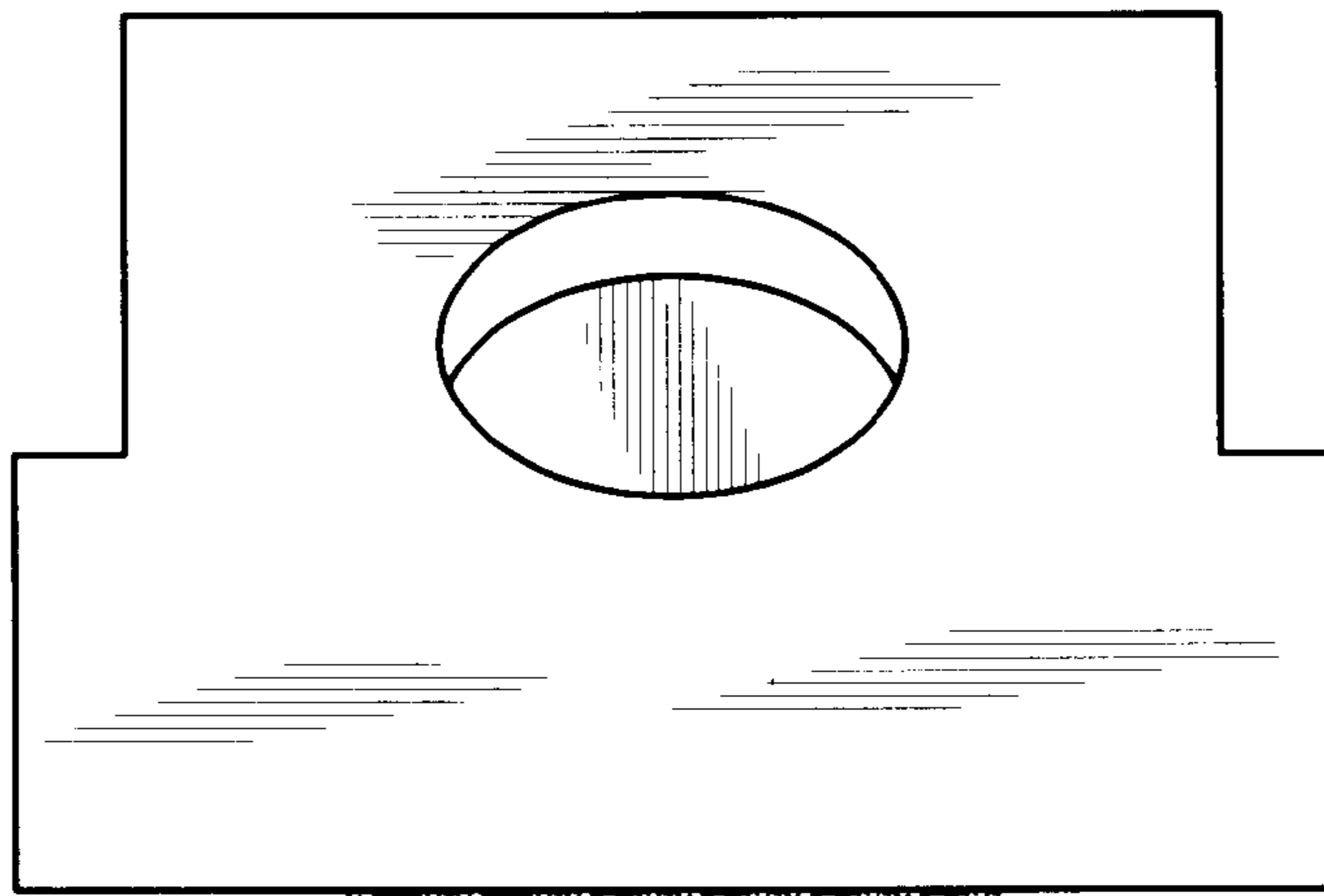


FIG. 2



*FIG. 3*



*FIG. 4*

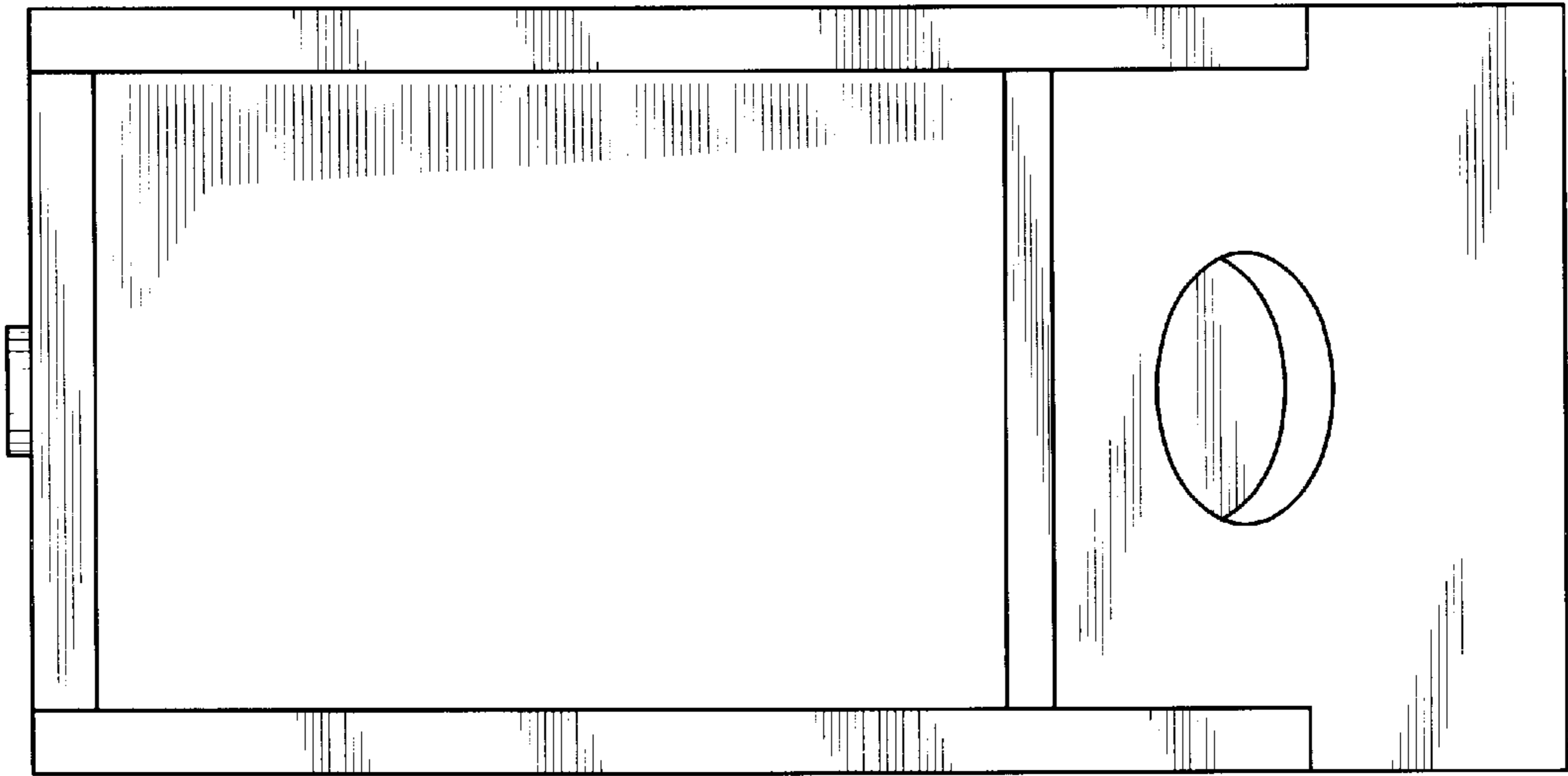


FIG. 5

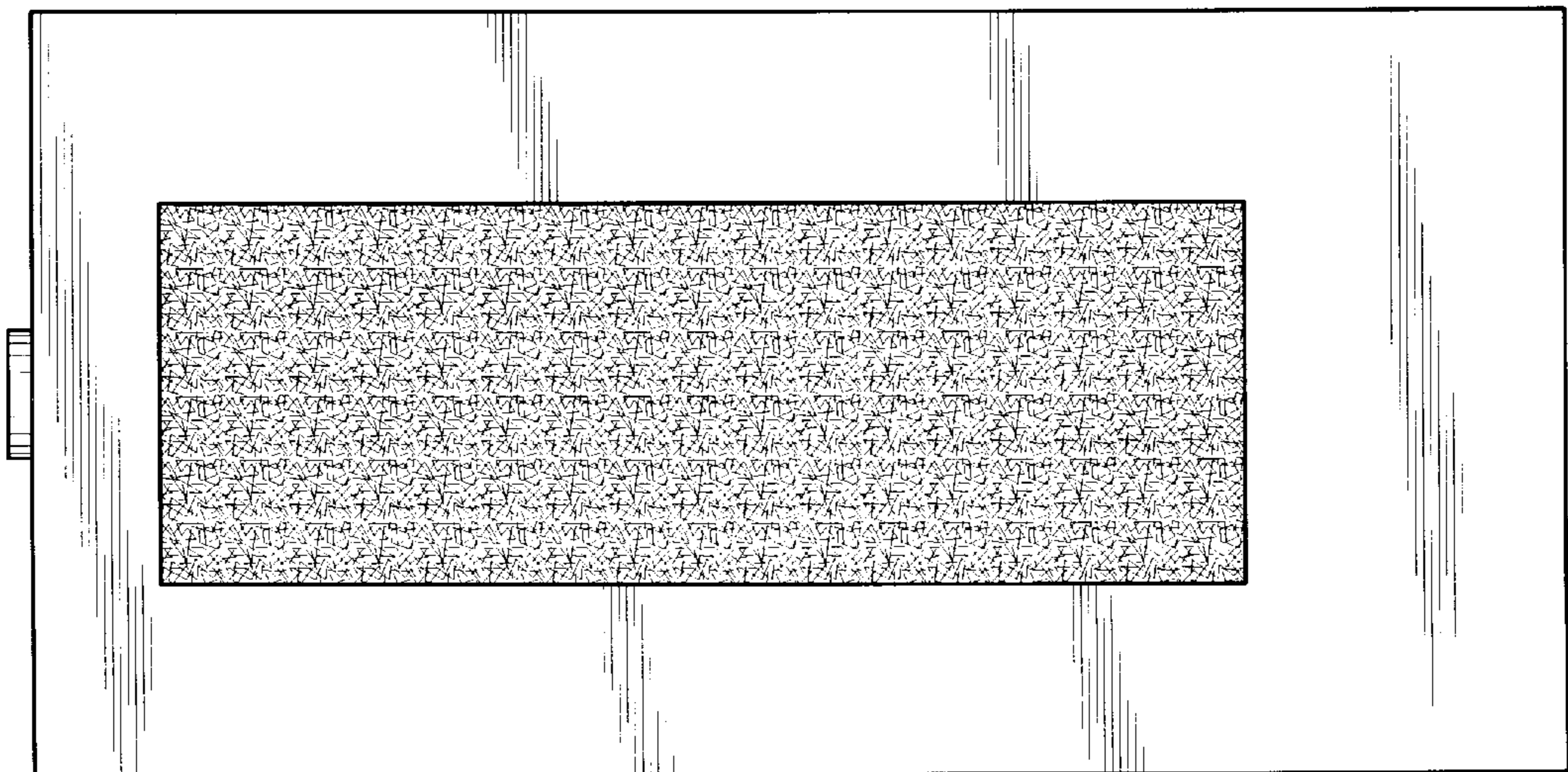


FIG. 6