



US00D419527S

United States Patent [19] Hwang

[11] Patent Number: **Des. 419,527**

[45] Date of Patent: **** Jan. 25, 2000**

[54] TELECOMMUNICATION CABLE REEL

[76] Inventor: **Lih-Jiuan Hwang**, 18F-2, No. 2, Lane 175, Sec. 3, Shiou-Lang Rd., Chung-Ho City, Taipei Hsien, Taiwan

[**] Term: **14 Years**

[21] Appl. No.: **29/100,406**

[22] Filed: **Feb. 10, 1999**

[51] LOC (7) Cl. **13-03**

[52] U.S. Cl. **D13/154; D13/153; D8/358**

[58] Field of Search D13/154, 153; D8/358; 242/378.2, 378.3; 191/12.2 R, 12.4 R; 319/438

[56] **References Cited**

U.S. PATENT DOCUMENTS

- D. 313,166 12/1990 Kovacik et al. D8/358
- D. 313,167 12/1990 Kovacik et al. D8/358
- D. 329,637 9/1992 Sutton D13/154

- D. 363,461 10/1995 Duckman et al. D13/154
- D. 387,776 12/1997 Chan D13/139.7 X
- 4,384,688 5/1983 Smith 242/378.2
- 4,646,987 3/1987 Peterson 242/378.3
- 5,230,481 7/1993 Wheeler et al. 242/379

Primary Examiner—Joel Sincavage

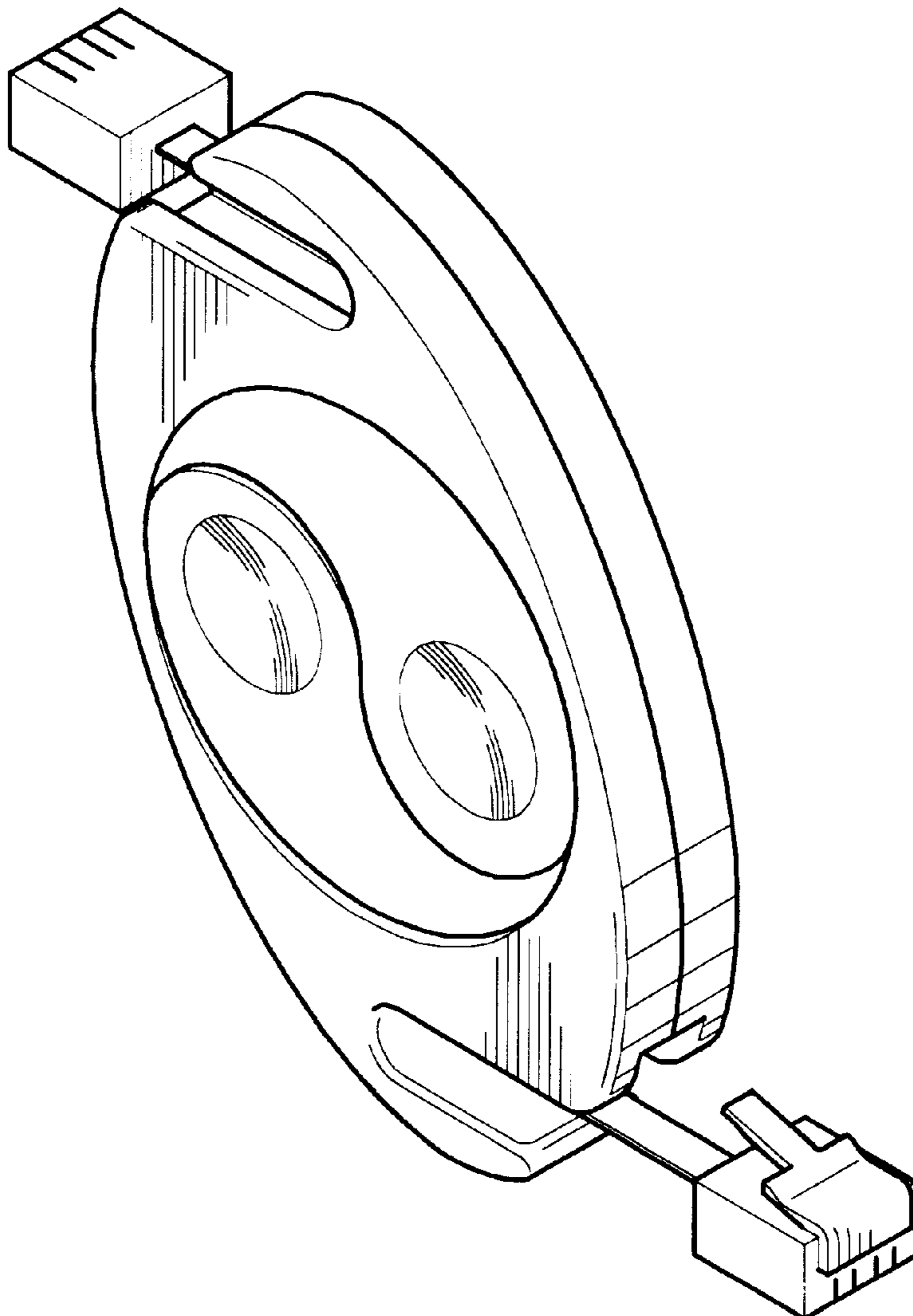
[57] **CLAIM**

The ornamental design for a telecommunication cable reel, as shown and described.

DESCRIPTION

FIG. 1 is a perspective view thereof;
FIG. 2 is a front view thereof;
FIG. 3 is a back view thereof;
FIG. 4 is a right side view thereof;
FIG. 5 is left side view thereof;
FIG. 6 is a top view thereof; and,
FIG. 7 is a bottom view thereof;

1 Claim, 4 Drawing Sheets



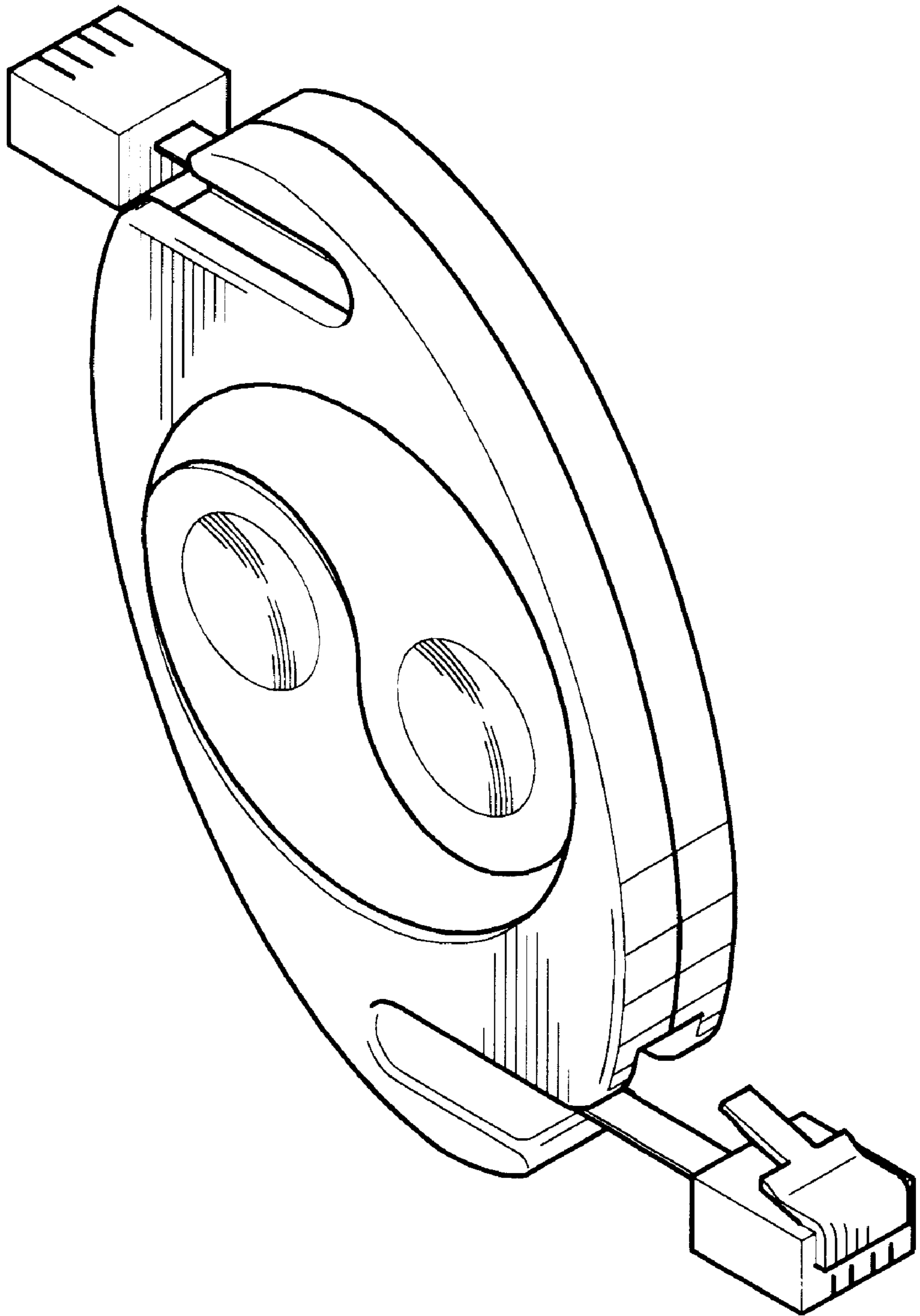


FIG. 1

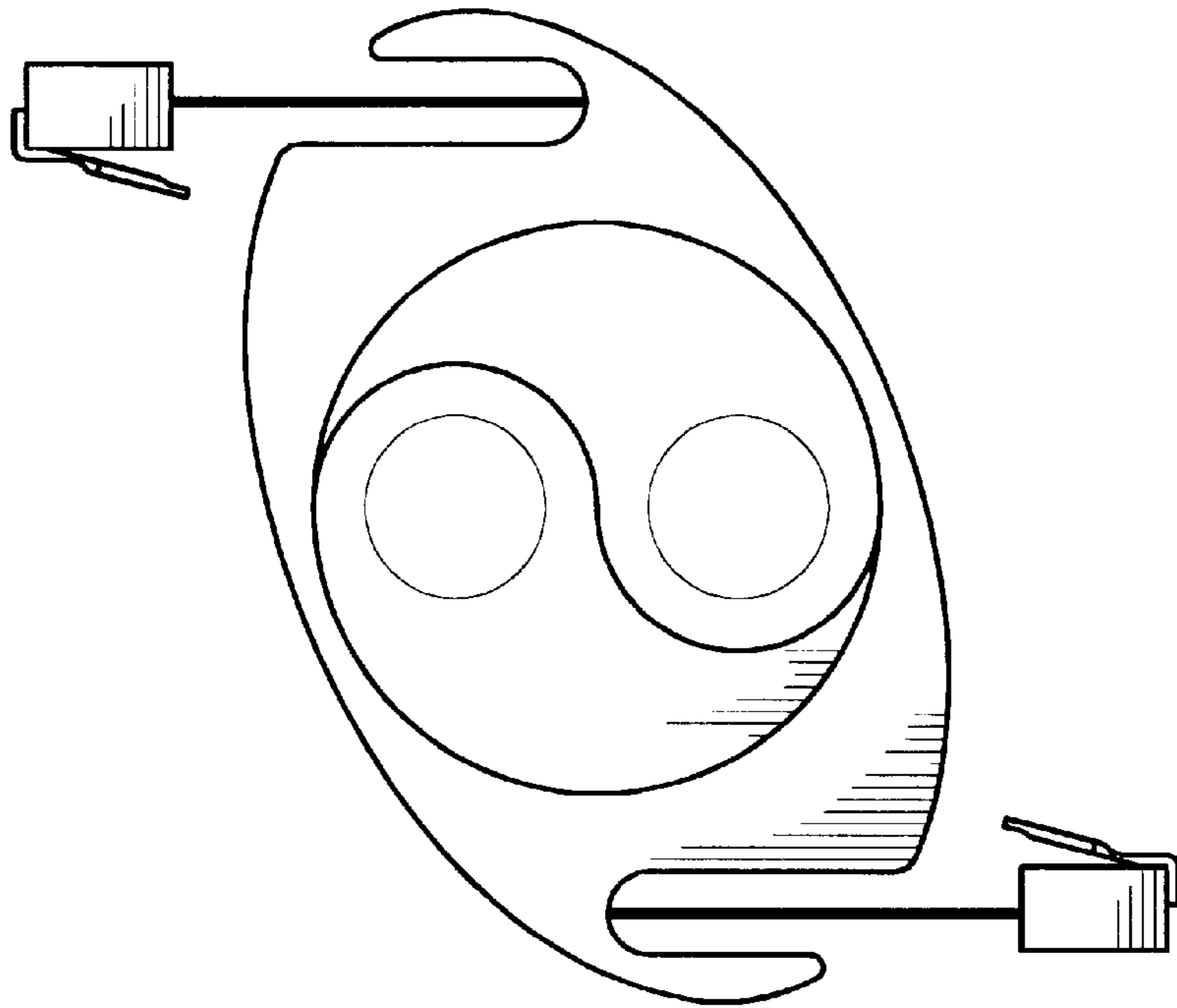


FIG. 2

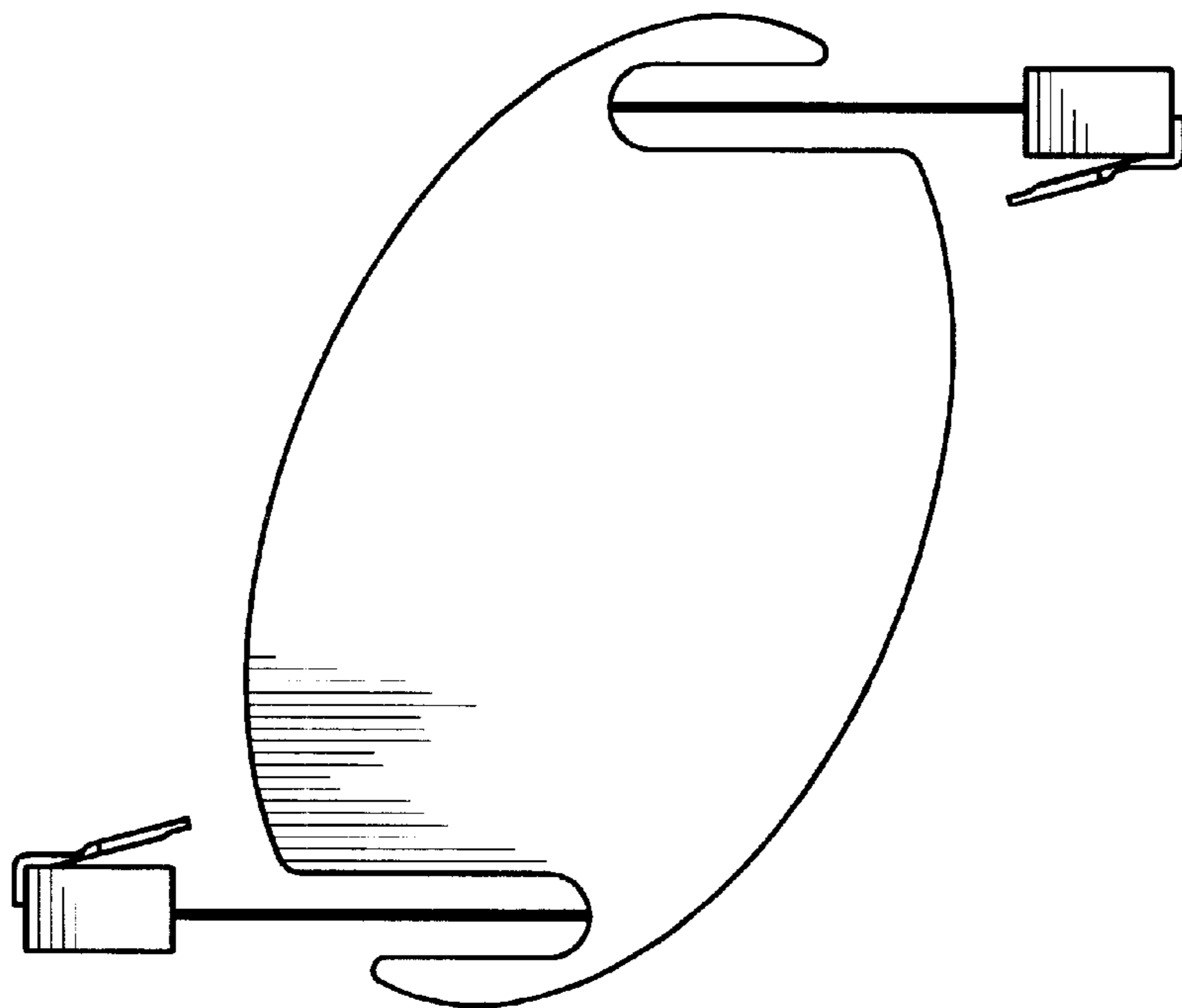


FIG. 3

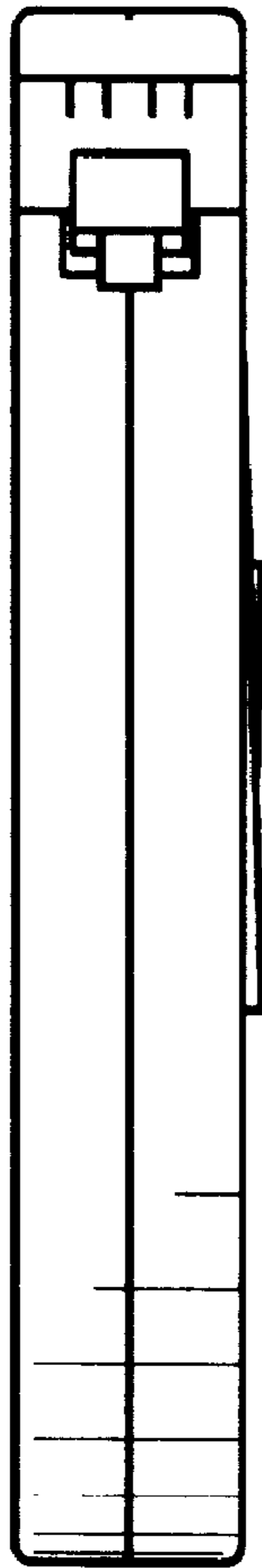


FIG. 4



FIG. 5

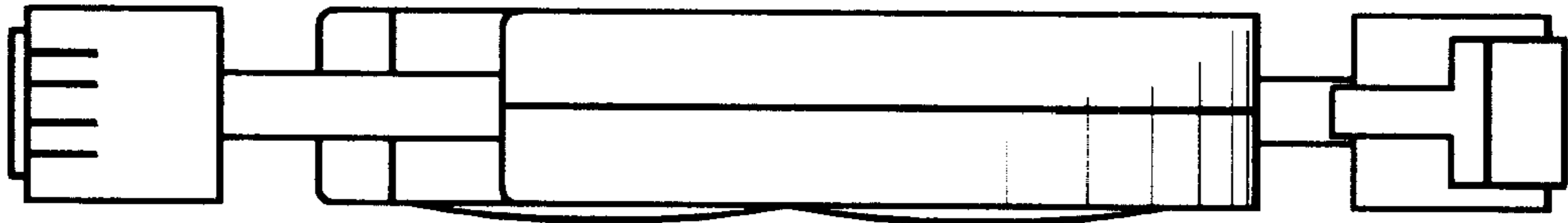


FIG. 6

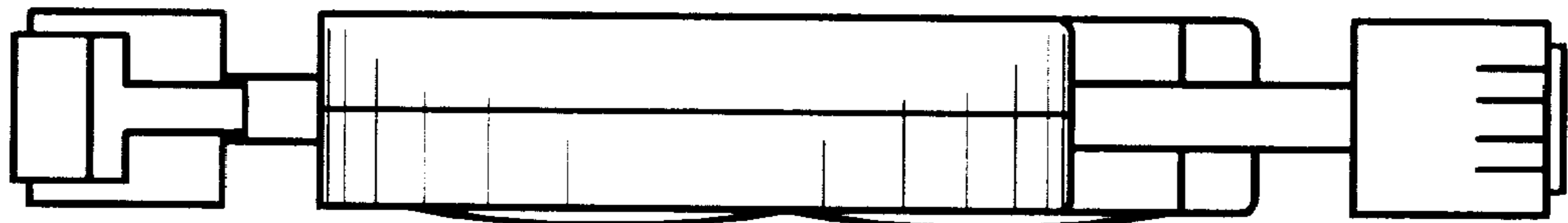


FIG. 7