



US00D419521S

United States Patent [19]

Leschke et al.

[11] Patent Number: **Des. 419,521**

[45] Date of Patent: **** Jan. 25, 2000**

[54] **AUTOMOBILE DESKTOP**

[75] Inventors: **Harald Leschke**, Sindelfingen;
Christopher K. Rhoades,
Herrenberg-Haslach; **Guenter Hoelzel**,
Hochdorf; **Karl-Heinz Fischer**,
Esslingen, all of Germany

[73] Assignee: **DaimlerChrysler AG**, Germany

[**] Term: **14 Years**

[21] Appl. No.: **29/100,722**

[22] Filed: **Feb. 17, 1999**

[30] **Foreign Application Priority Data**

Aug. 17, 1998 [DE] Germany 4 98 08 160

[51] **LOC (7) Cl.** **12-16**

[52] **U.S. Cl.** **D12/425; D19/75**

[58] **Field of Search** D12/415, 424,
D12/425, 400; D19/75-78; 224/539, 275;
296/37.1, 37.8, 37.6, 37.14-37.15; 248/206.1,
224.1, 224.2; D6/406; 220/223, 4.31; 108/43-45,
47

[56] **References Cited**

U.S. PATENT DOCUMENTS

- D. 285,998 10/1986 Langensiepen D19/78 X
- D. 290,189 6/1987 Sakai D19/78 X
- D. 329,944 10/1992 Longtin D6/406 X

- D. 332,527 1/1993 Szablak et al. D12/425
- D. 341,249 11/1993 Scheurer D12/425
- D. 342,170 12/1993 Palmer D6/406
- D. 353,275 12/1994 Longhurst D6/406
- D. 360,318 7/1995 Kinnard, Sr. et al. D6/406
- D. 371,109 6/1996 Schlattl D12/425
- D. 374,203 10/1996 Martinez D12/425 X
- D. 380,190 6/1997 Slayter D12/425
- D. 408,350 4/1999 Ball et al. D12/425

Primary Examiner—Doris V. Coles
Assistant Examiner—Stacia Sinuik
Attorney, Agent, or Firm—Evenson, McKeown, Edwards & Lenahan, P.L.L.C.

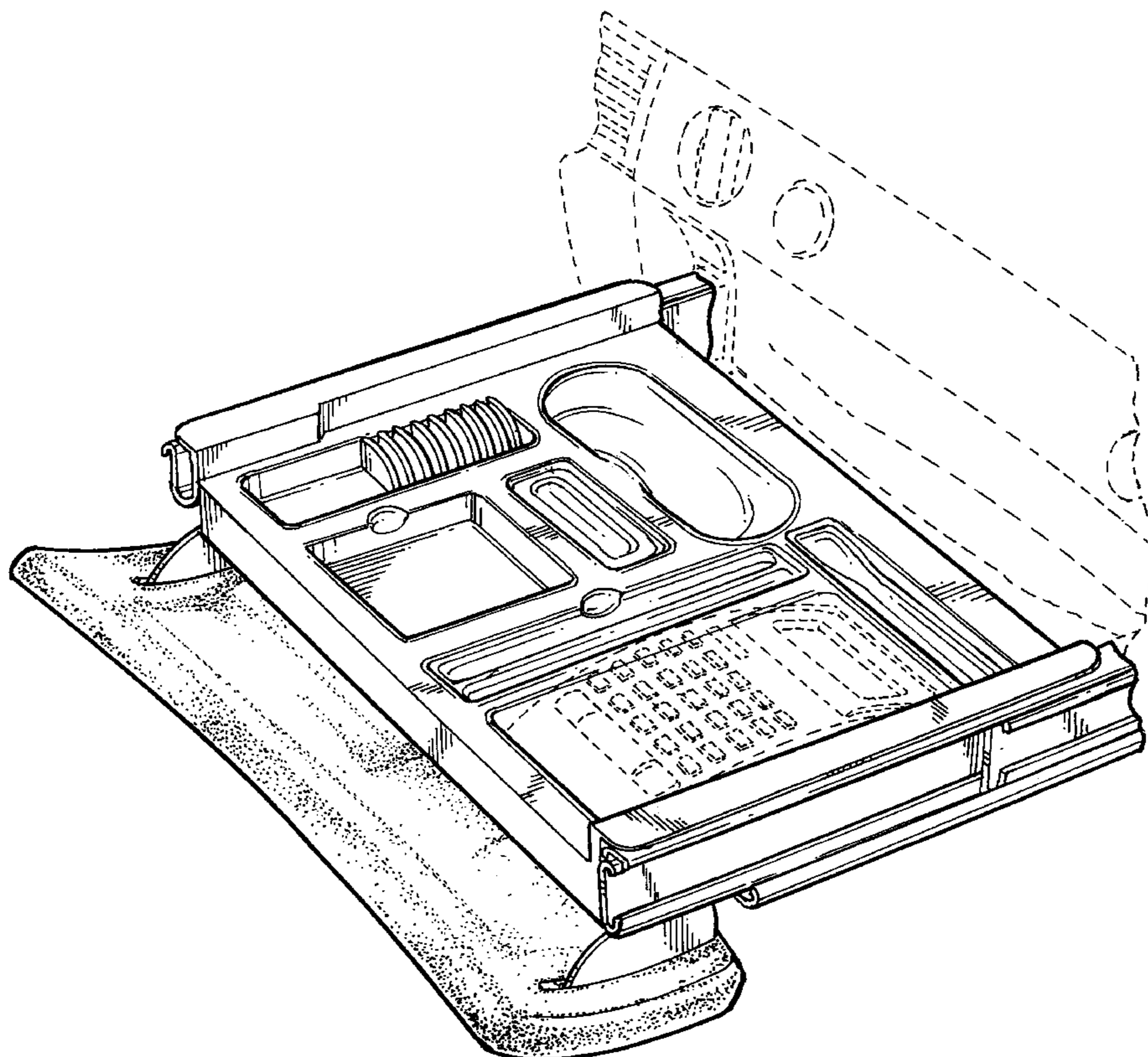
[57] **CLAIM**

The ornamental design for an automobile desktop, as shown and described.

DESCRIPTION

FIG. 1 is a front view of an automobile desktop according to our novel design;
FIG. 2 is a left side view of an automobile desktop according to our novel design;
FIG. 3 is a top view of an automobile desktop according to our novel design; and,
FIG. 4 is a perspective view from the front side of an automobile desktop according to our novel design.
The dash line included depicts environment and is not part of the claimed design.

1 Claim, 3 Drawing Sheets



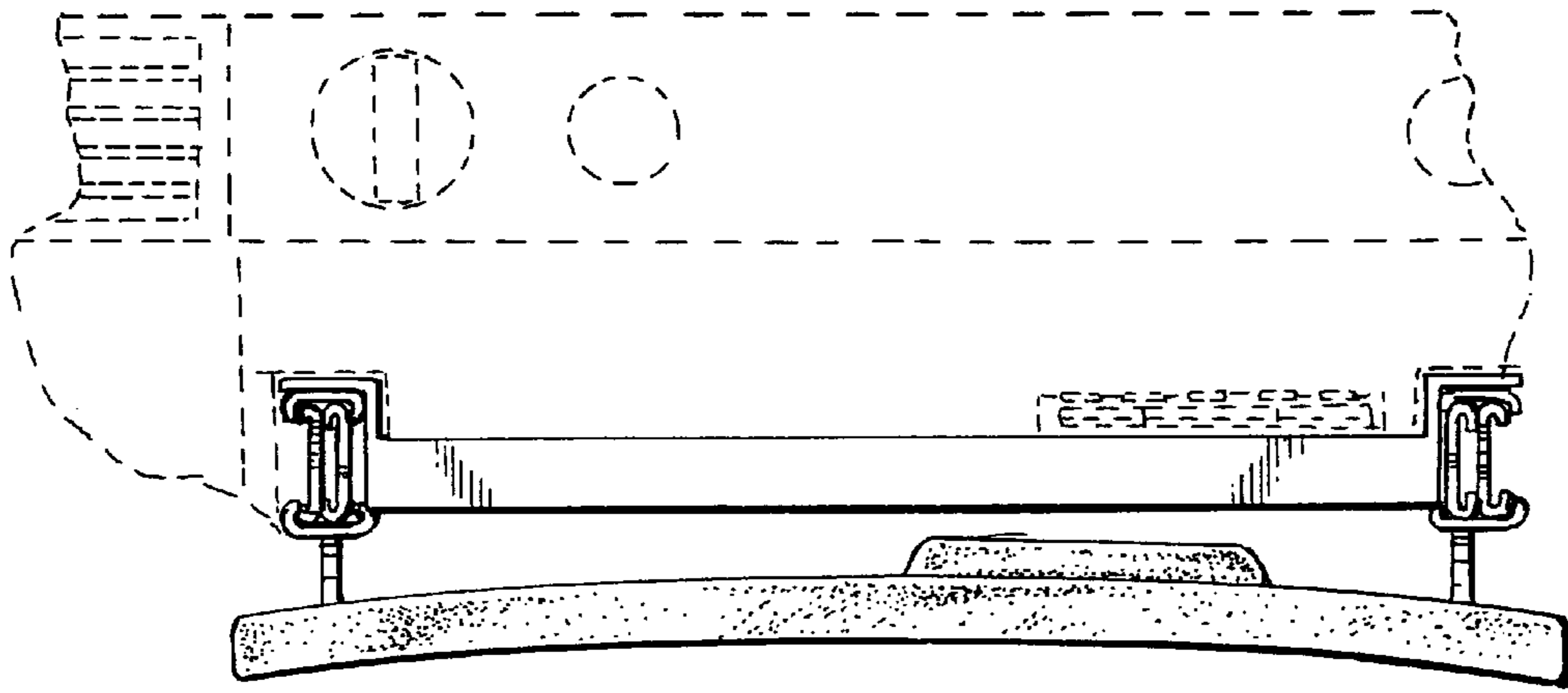


FIG. 1

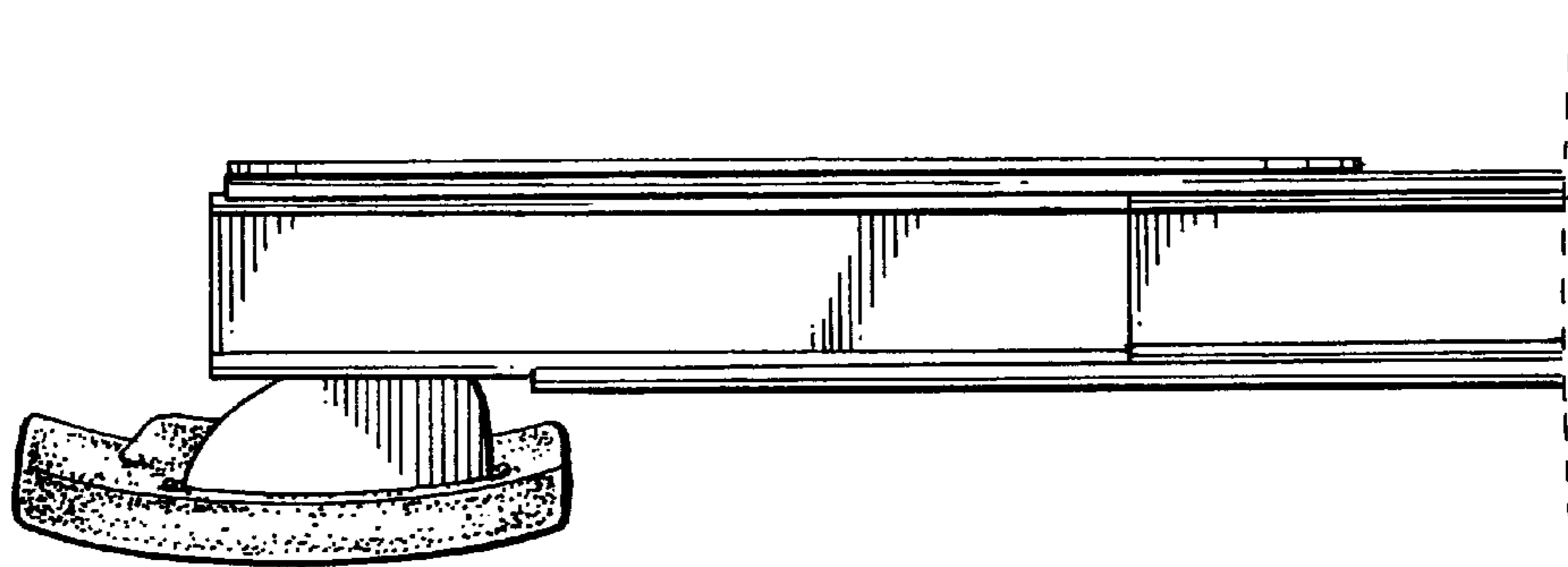


FIG. 2

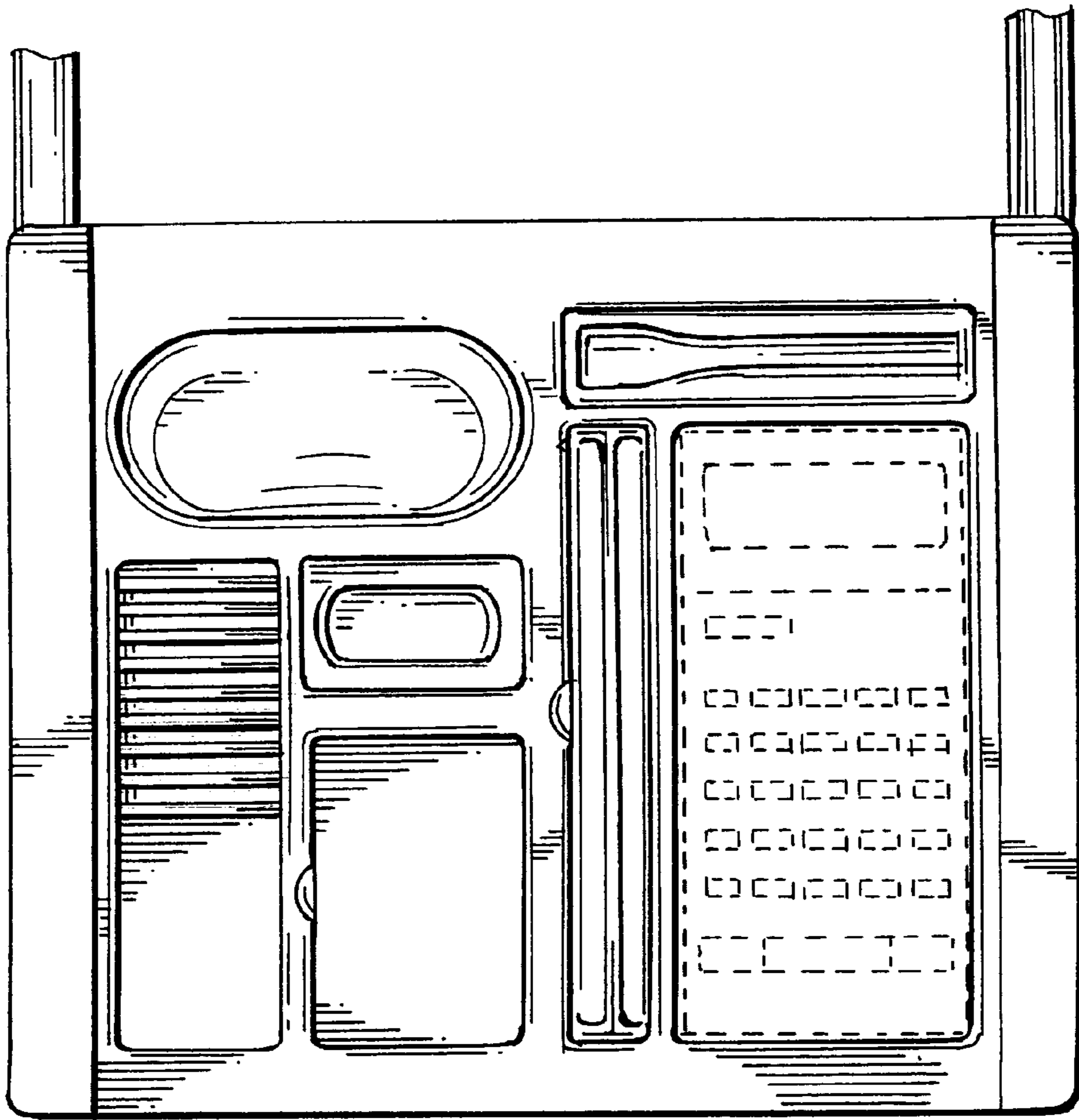


FIG. 3

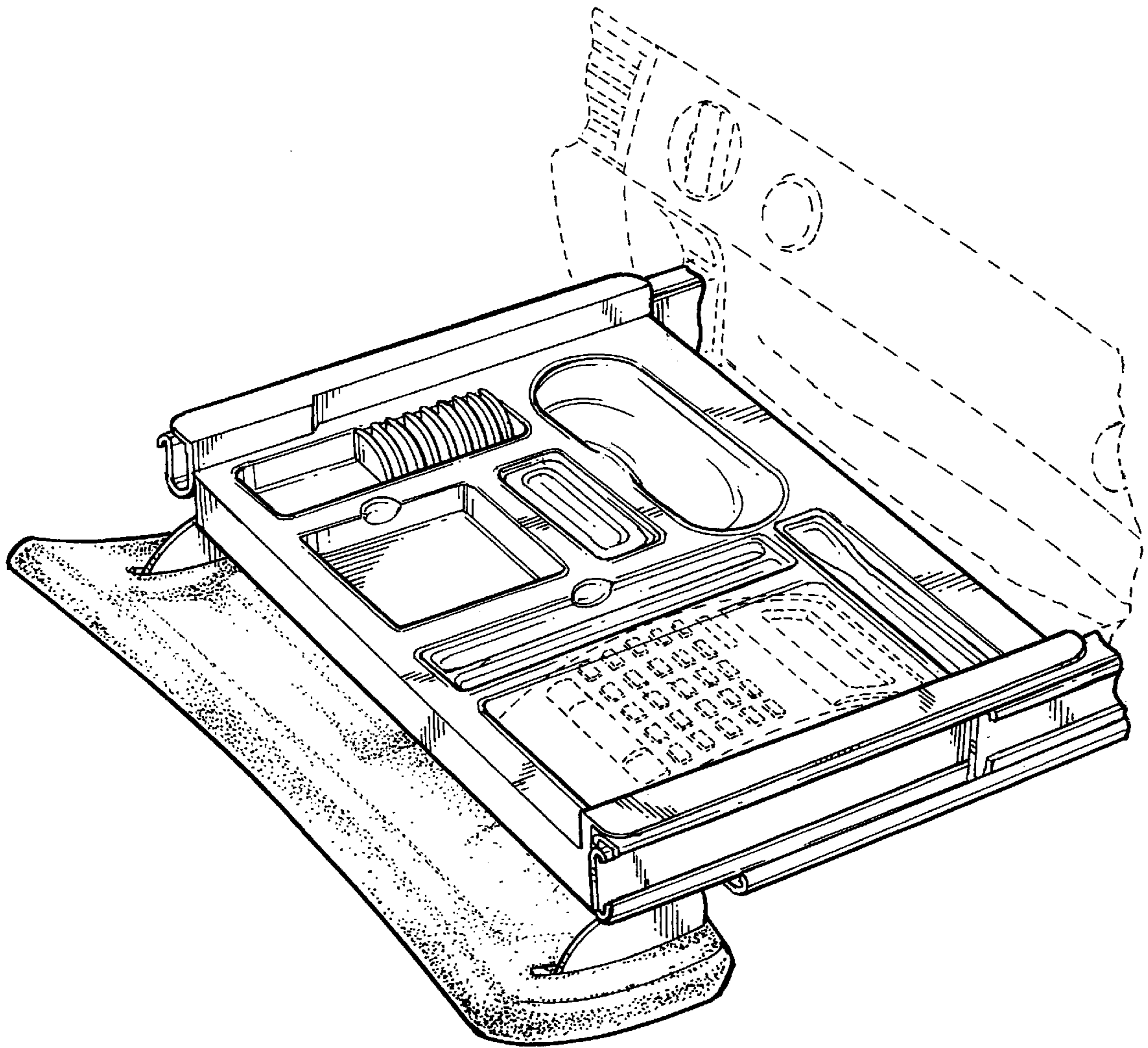


FIG. 4