



US00D419520S

United States Patent [19] Bergh

[11] **Patent Number: Des. 419,520**
[45] **Date of Patent: ** Jan. 25, 2000**

[54] **VEHICLE BACKSEAT ORGANIZER**

[75] Inventor: **James Allen Bergh**, Boulder, Colo.

[73] Assignee: **CaseLogic, Inc.**, Longmont, Colo.

[**] Term: **14 Years**

[21] Appl. No.: **29/101,562**

[22] Filed: **Mar. 5, 1999**

[51] **LOC (7) Cl.** **12-16**

[52] **U.S. Cl.** **D12/416**

[58] **Field of Search** D12/415, 416,
D12/422, 424, 425; D6/611, 513-514, 553,
556, 559, 336, 356; 224/42.11, 42.46, 275-277,
539; 296/37.15, 37.16; 297/191, 188.18,
163, 188.01, 188.02, 188.04-188.07, 188.2

[56] **References Cited**

U.S. PATENT DOCUMENTS

D. 308,916	7/1990	Dinham	D12/416
D. 312,349	11/1990	Pogue	D12/416
D. 324,953	3/1992	Swanner	D12/416 X
D. 344,180	2/1994	Garcia	D12/416
D. 344,625	3/1994	Berry	D12/416
D. 379,452	5/1997	Russell et al.	D12/416
D. 389,115	1/1998	Alves et al.	D12/416
D. 396,983	8/1998	Taylor	D12/416 X
D. 406,096	2/1999	Lucas, Jr.	D12/416
1,653,246	12/1927	Zichy	206/223
5,046,433	9/1991	Kramer et al.	108/44
5,269,229	12/1993	Akapatankul	108/44
5,411,192	5/1995	Xiao	224/151
5,694,860	12/1997	Xiao	108/38

FOREIGN PATENT DOCUMENTS

2 197 582	5/1988	United Kingdom	A45F 3/04
236 945	4/1991	United Kingdom	A45F 3/04

OTHER PUBLICATIONS

Axius Backpack-Style Backseat Organizer, Copyright 1996.
Classic Accessories, Inc., Car Seat Organizer, (Apr. 1998).
On the Road Backseat Organizer, (No Date).
Samsonite Seat Back Organizer, H&L Products, Inc.,
National City, CA 91950, Copyright 1997.

BackPockets Car Organizer (No Date).
Axius Pocketeer Backseat Organizer, Model No. 50686,
Copyright 1997.
Axius Pocketeer Backseat Organizer, Copyright 1996.
Axius Premier-Pockets Backseat Organizer, Copyright
1996.
Axius Premier Pockets Backseat Organizer, Copyright 1998.
Axius Combo Organizer, Model No. 50878, Copyright
1998.
Auto Smart Travel Smart by Franzus Auto Back Seat
Organizer, (No Date).
Halfords Auto Buideltas Sac De Voiture Autositz-Beutelt-
asche, Veenendaal, Holland, (No Date).
Cobbs Back Seat Organizer, Model No. 33609, Copyright
1992-1997.

Primary Examiner—Doris V. Coles
Assistant Examiner—Stacia Sinuik
Attorney, Agent, or Firm—Sheridan Ross P.C.

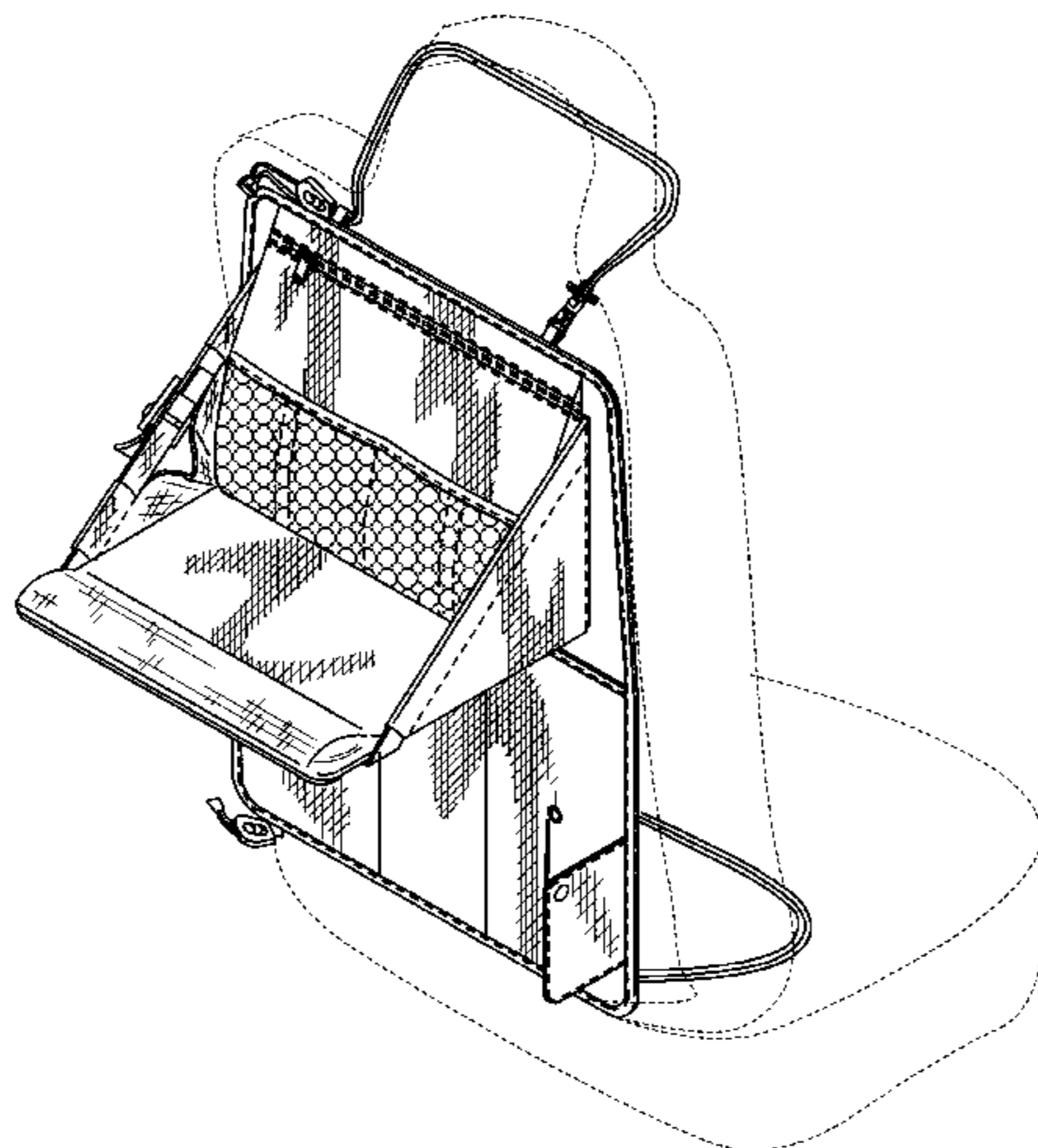
[57] **CLAIM**

The ornamental design for a vehicle backseat organizer, as shown and described.

DESCRIPTION

FIG. 1 is a front perspective view of the vehicle backseat organizer, showing my new design interconnected to environment;
FIG. 2 is a front perspective view of the vehicle backseat organizer illustrated in FIG. 1 shown in a folded closed position;
FIG. 3 is a top plan view of the vehicle backseat organizer illustrated in FIG. 1;
FIG. 4 is a bottom plan view of the vehicle backseat organizer illustrated in FIG. 1;
FIG. 5 is a rear elevation view of the vehicle backseat organizer illustrated in FIG. 1;
FIG. 6 is a right elevation view of the vehicle backseat organizer illustrated in FIG. 1;
FIG. 7 is a front elevation view of the vehicle backseat organizer illustrated in FIG. 1; and,
FIG. 8 is a left elevation view of the vehicle backseat organizer illustrated in FIG. 1.
The broken line showing of environment is for illustrative purposes only and forms no part of the claimed design.

1 Claim, 3 Drawing Sheets



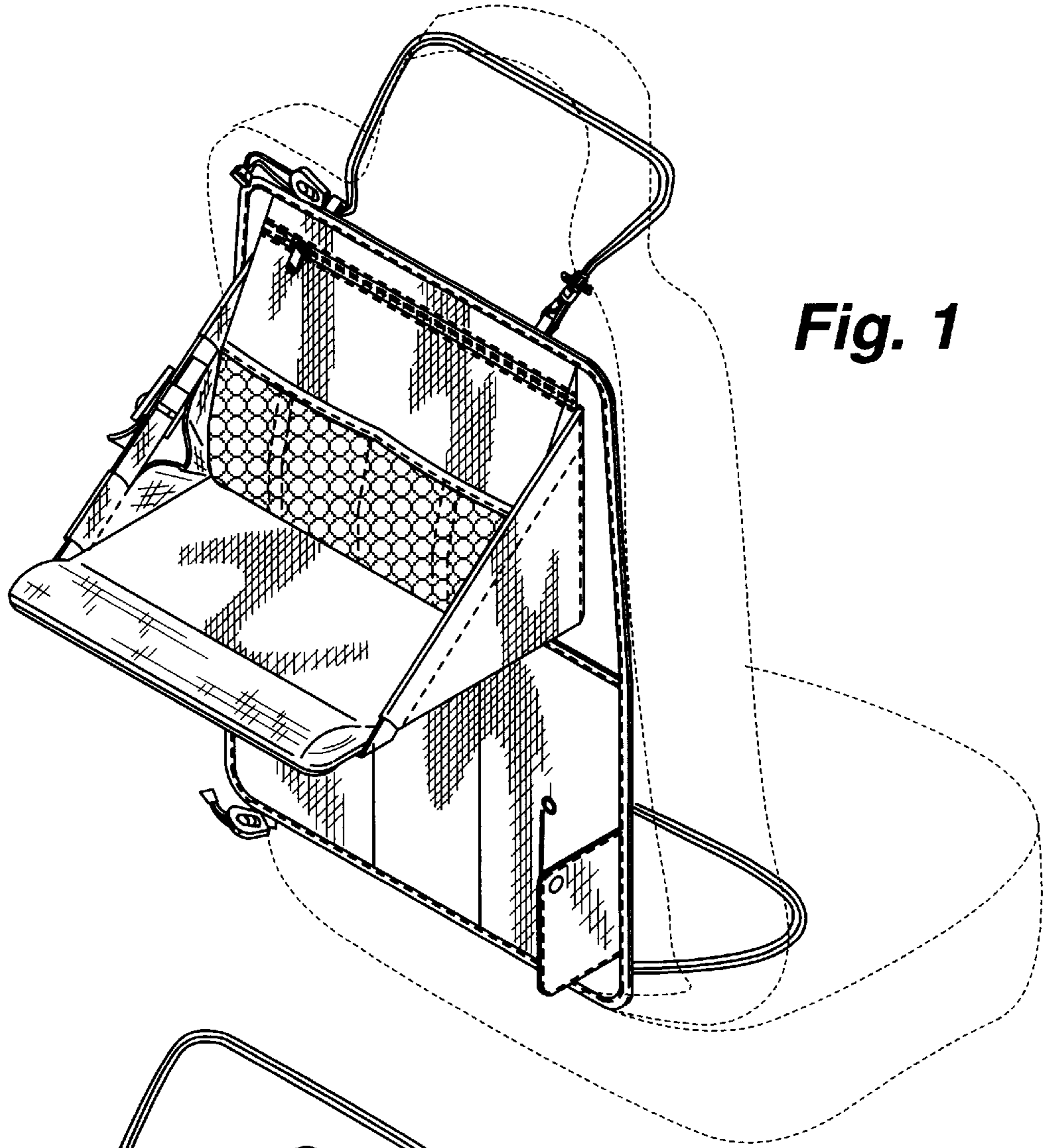


Fig. 1

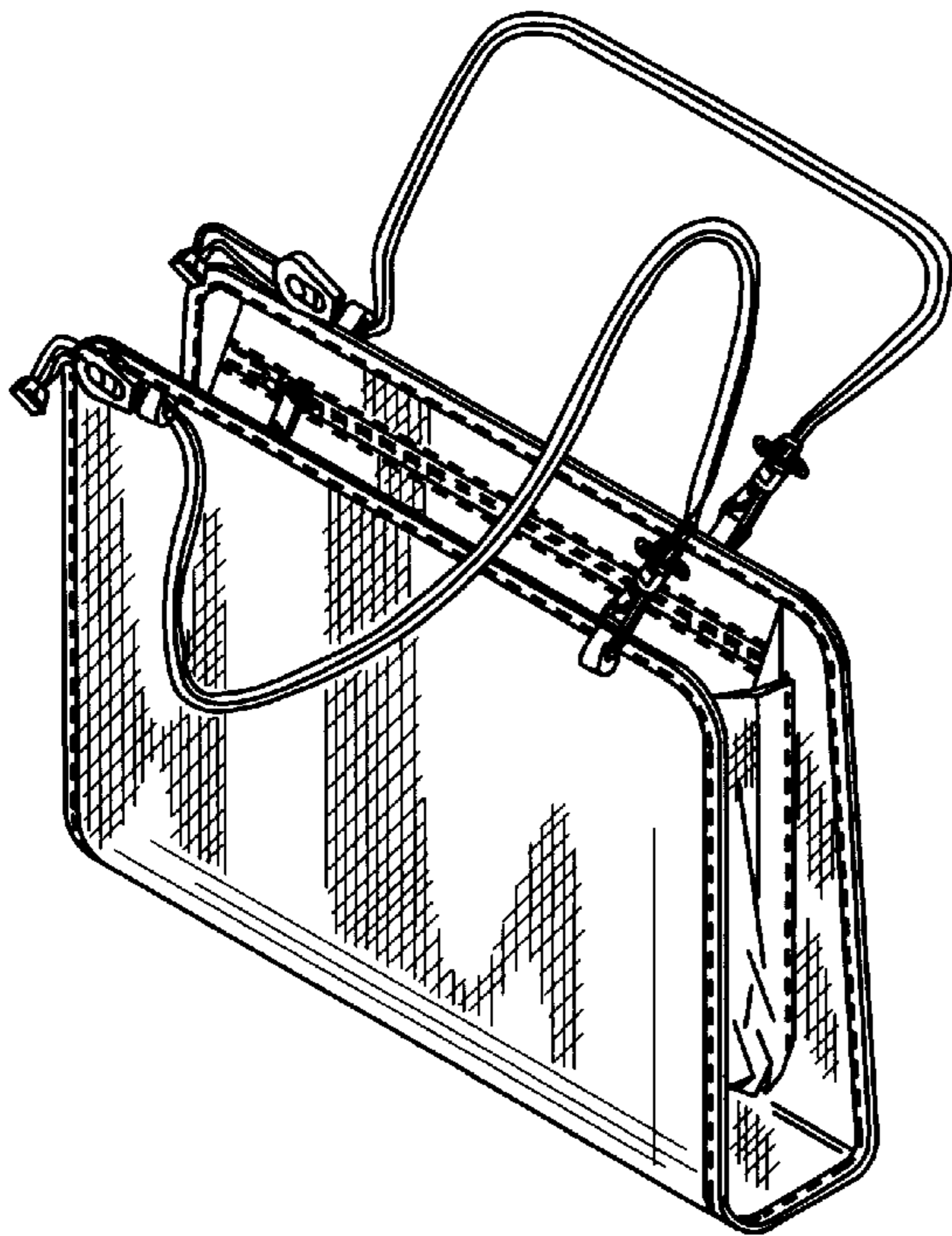


Fig. 2

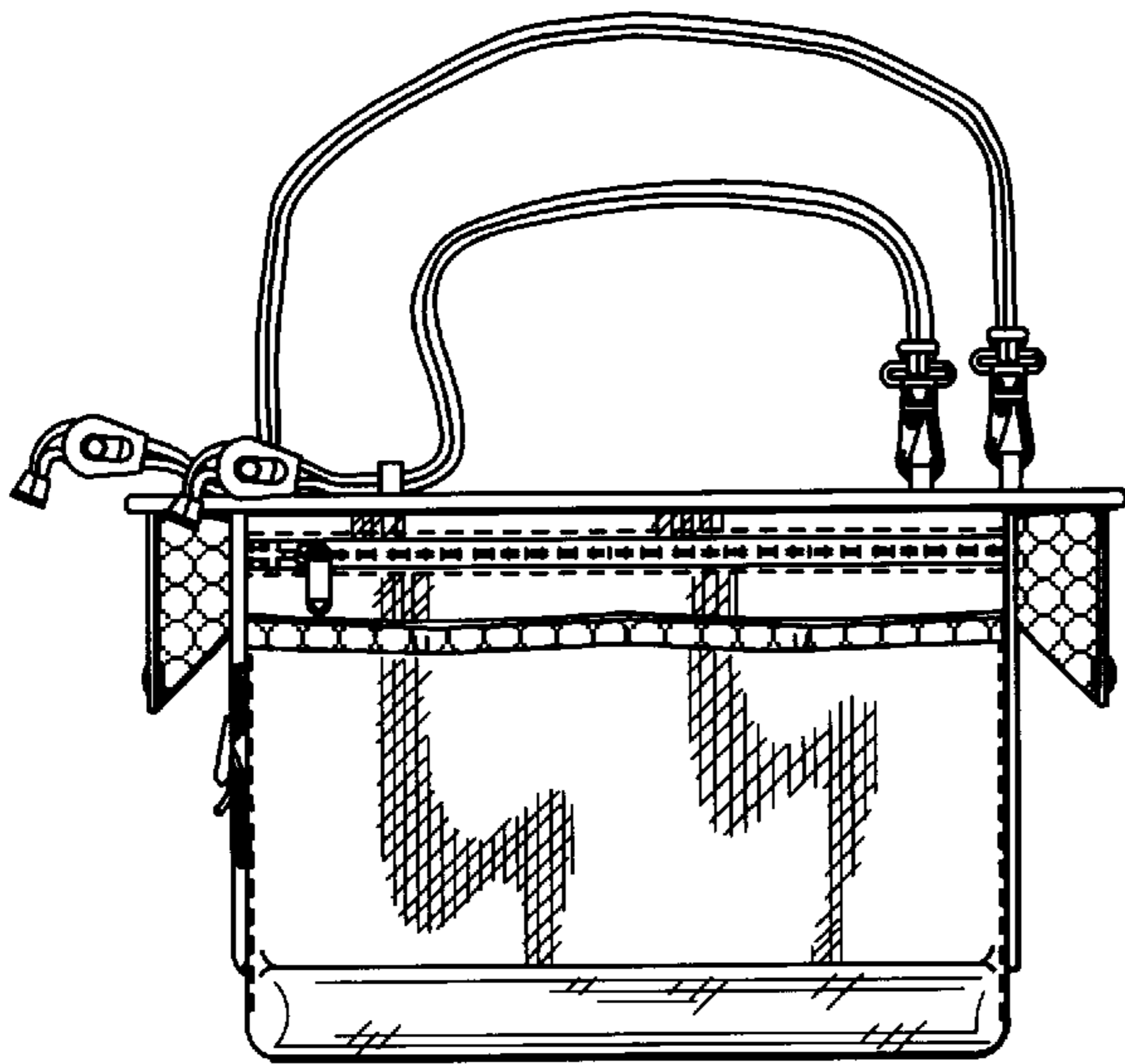


Fig. 3

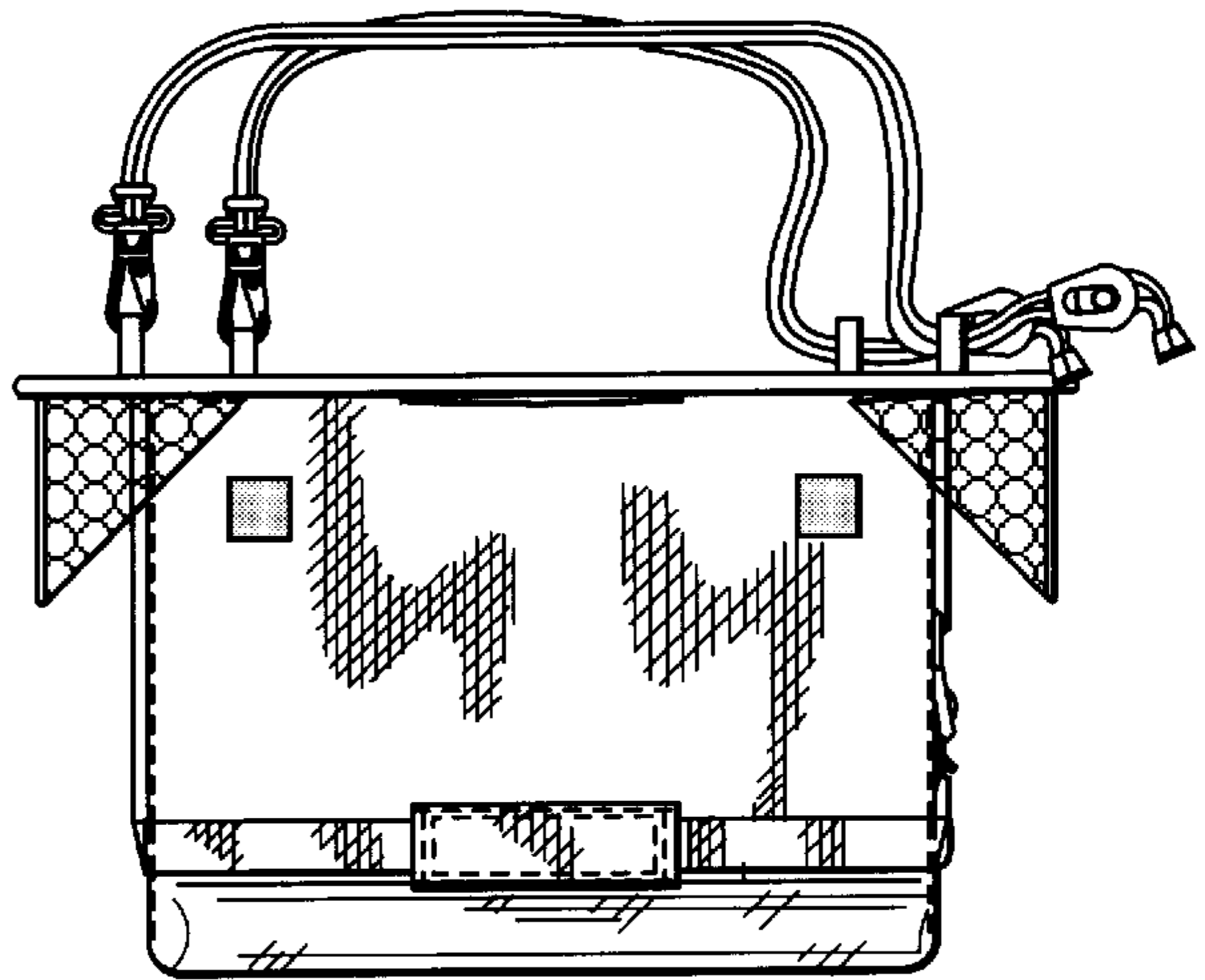


Fig. 4

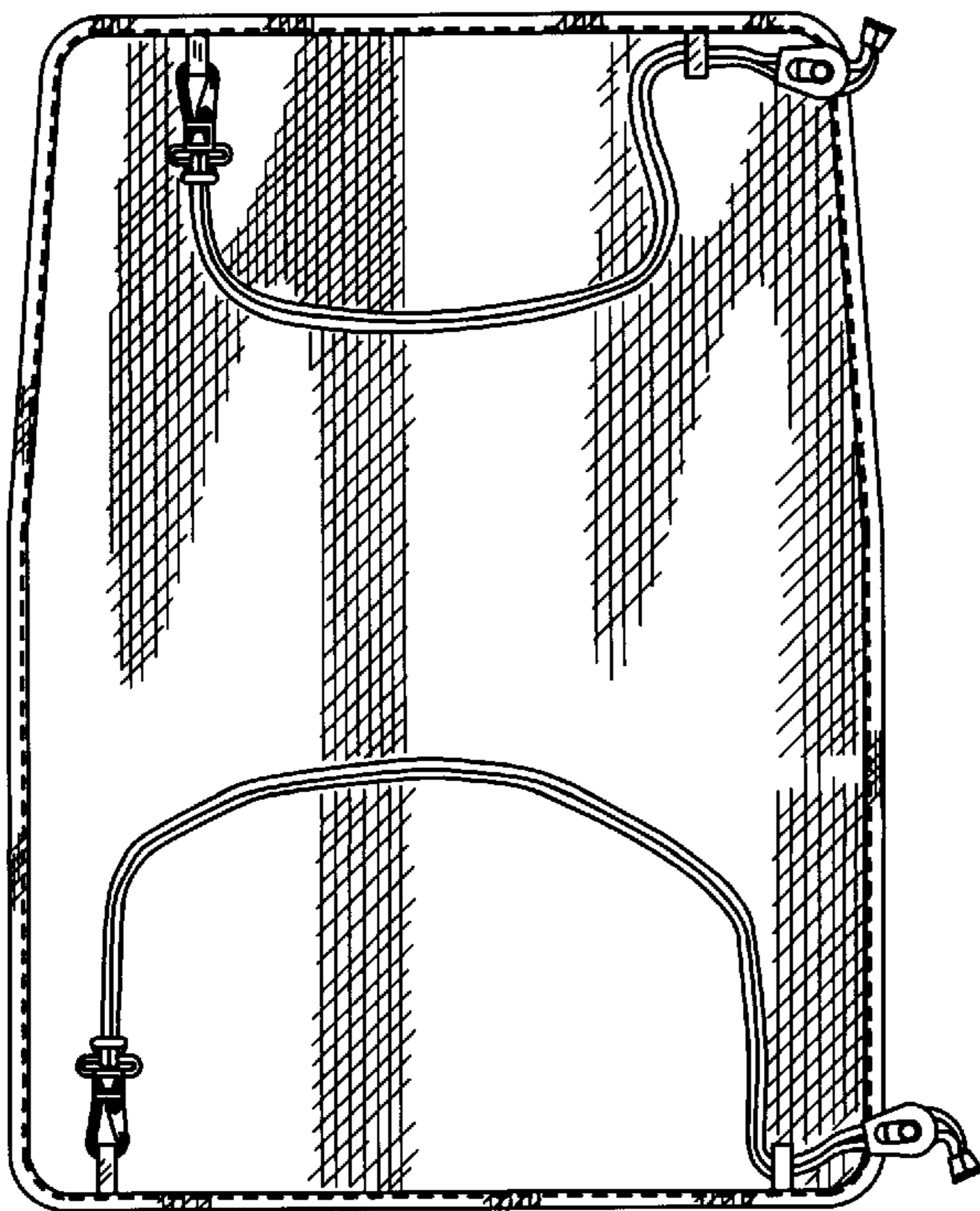


Fig. 5

Fig. 8

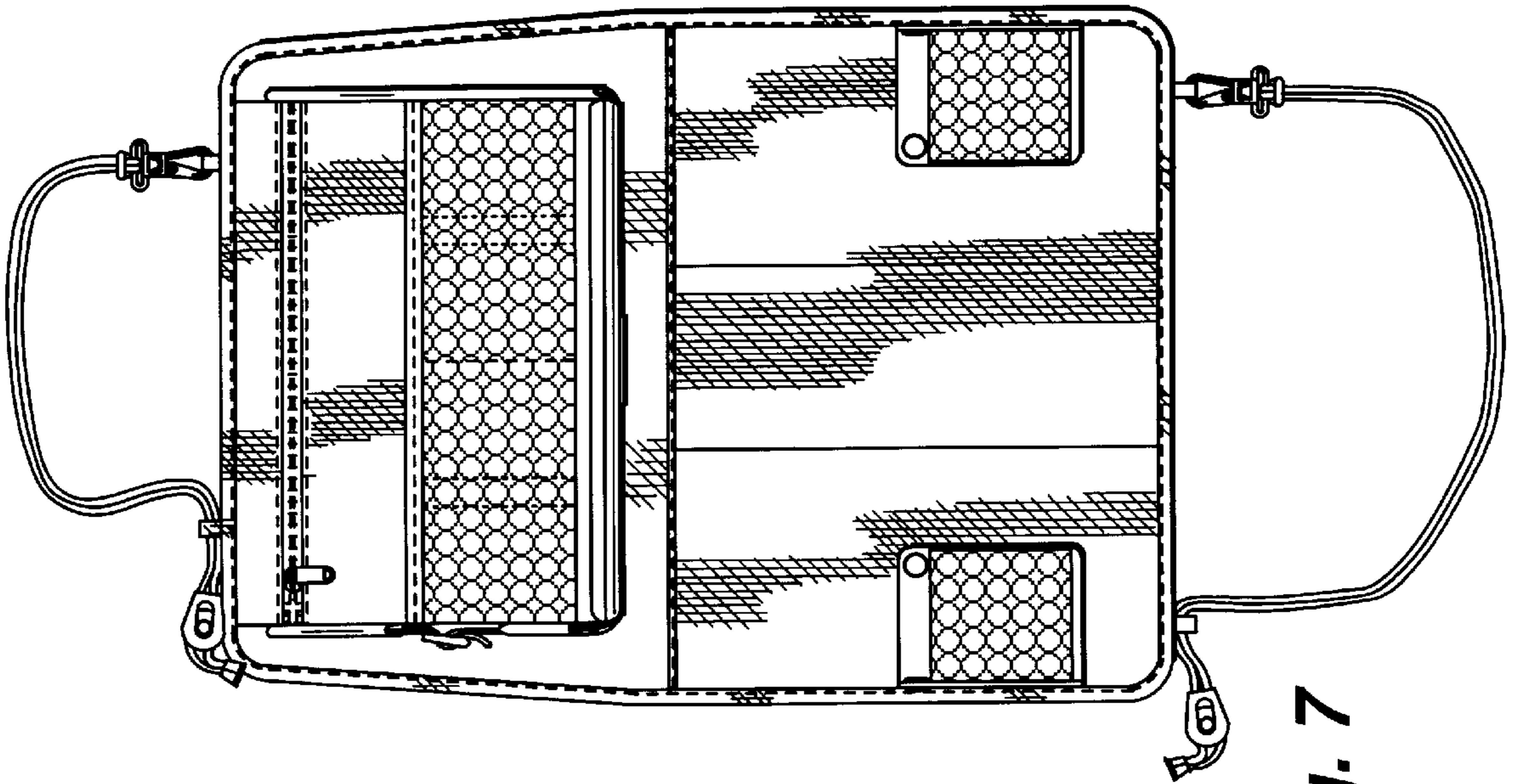
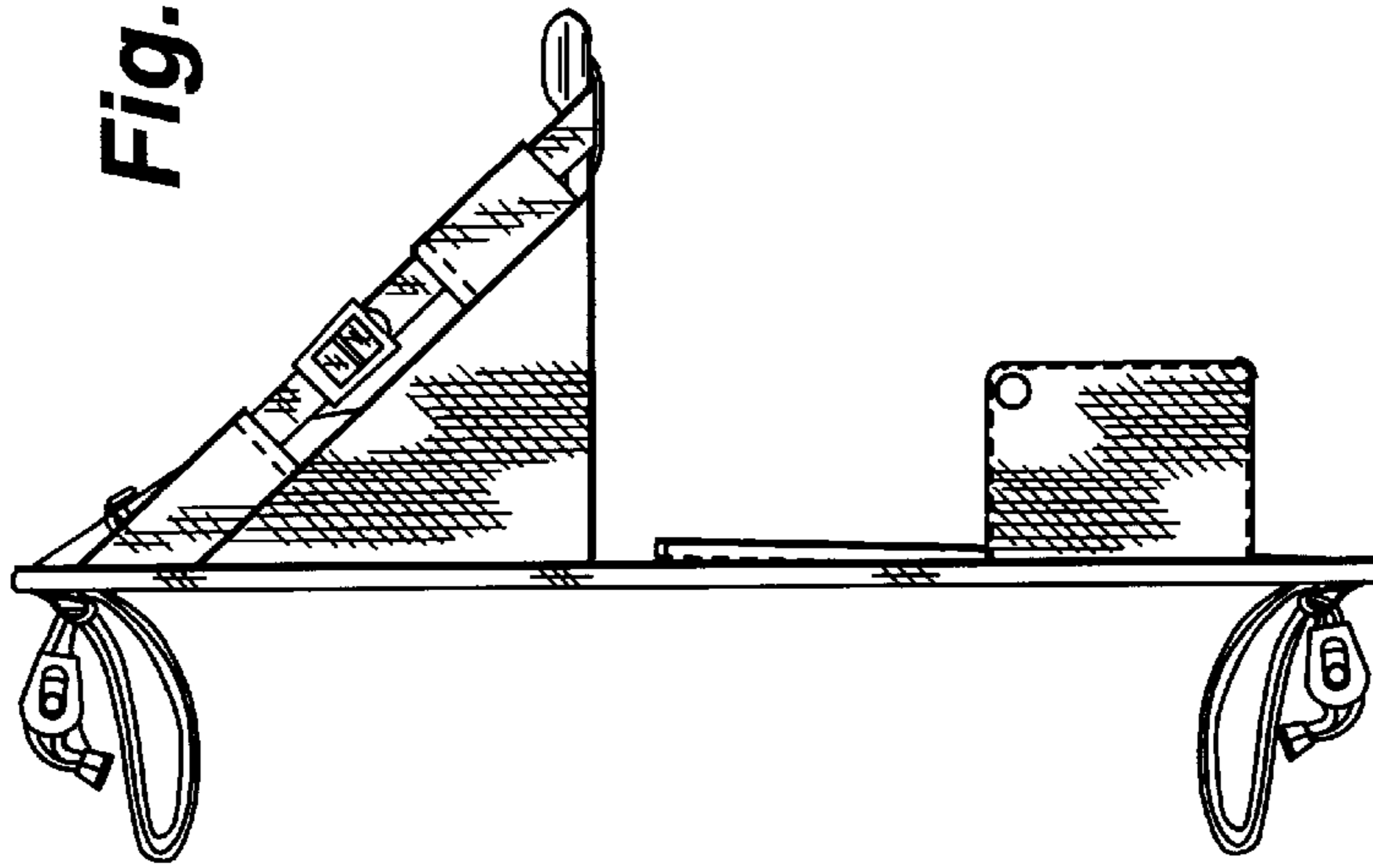


Fig. 7

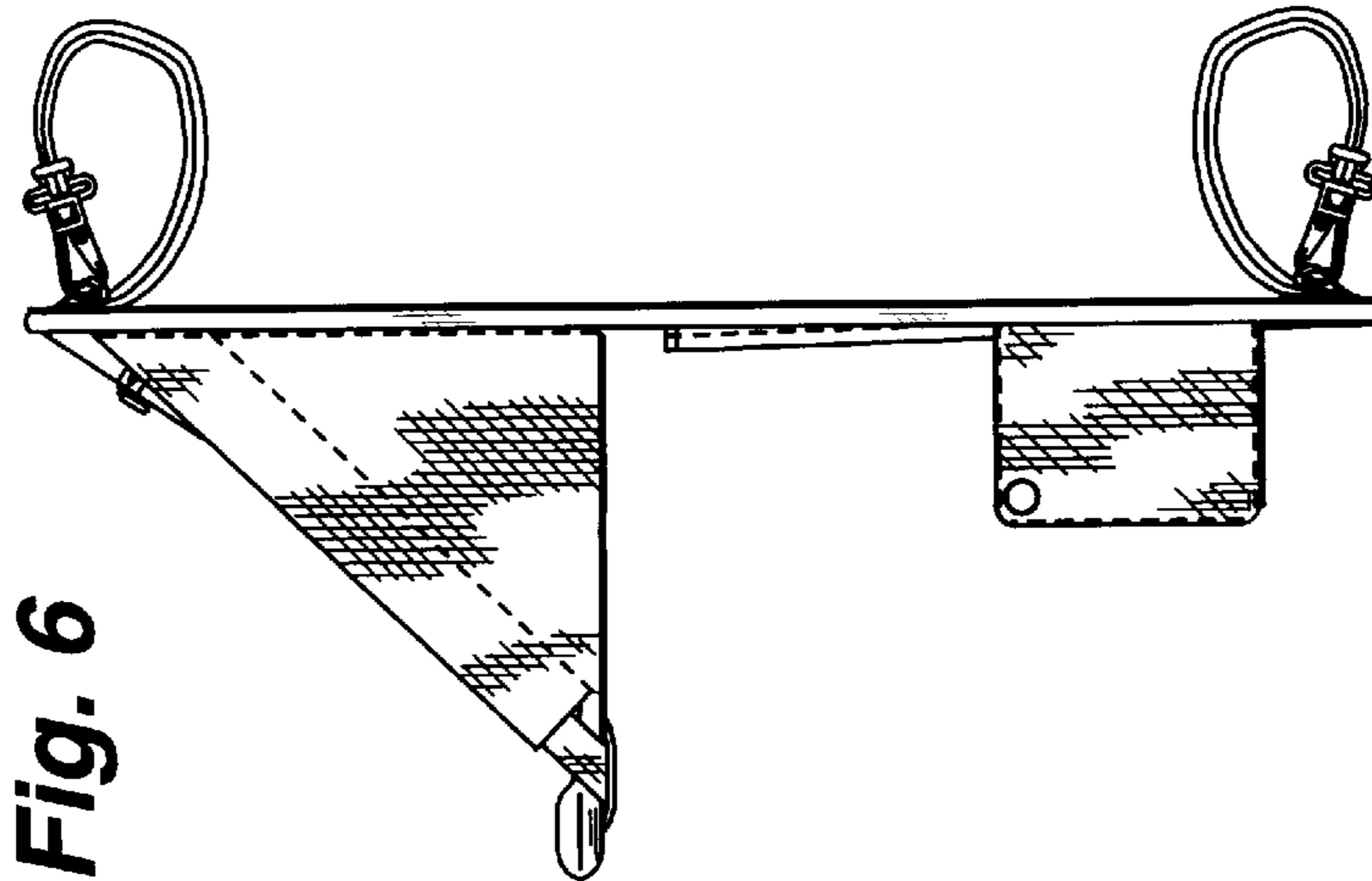


Fig. 6