



US00D419513S

# United States Patent [19]

Hartanto

[11] Patent Number: **Des. 419,513**

[45] Date of Patent: **\*\* Jan. 25, 2000**

[54] **VEHICLE WHEEL**

[76] Inventor: **Albertus Kus Hartanto**, Jagir  
Kawedanan 2/19, Surabaya 60244,  
Indonesia

[\*\*] Term: **14 Years**

[21] Appl. No.: **29/099,274**

[22] Filed: **Jan. 15, 1999**

[51] **LOC (7) Cl.** ..... **12-16**

[52] **U.S. Cl.** ..... **D12/209**

[58] **Field of Search** ..... D12/204-213;  
301/64.1, 65, 37.1

D. 403,649	1/1999	Moreno	.....	D12/211
D. 407,052	3/1999	Kelley	.....	D12/209
D. 409,967	5/1999	Chung	.....	D12/209
D. 409,969	5/1999	Chung	.....	D12/211
D. 411,159	6/1999	Neeper	.....	D12/211
D. 411,501	6/1999	Cullen	.....	D12/209
D. 412,148	7/1999	Fitzgerald	.....	D12/209

*Primary Examiner*—Doris V. Coles

*Assistant Examiner*—Stacia Sinuik

### [57] CLAIM

The ornamental design for a “vehicle wheel”, as shown and described.

### DESCRIPTION

FIG. 1 is a perspective view of the vehicle wheel showing my new design;

FIG. 2 is a front elevational view thereof; and,

FIG. 3 is an end elevational view thereof.

**1 Claim, 3 Drawing Sheets**

### [56] References Cited

#### U.S. PATENT DOCUMENTS

D. 372,698	8/1996	Mantua	.....	D12/209
D. 375,287	11/1996	Neeper	.....	D12/211
D. 386,139	11/1997	Cullen	.....	D12/209
D. 396,839	8/1998	Cullen	.....	D12/211

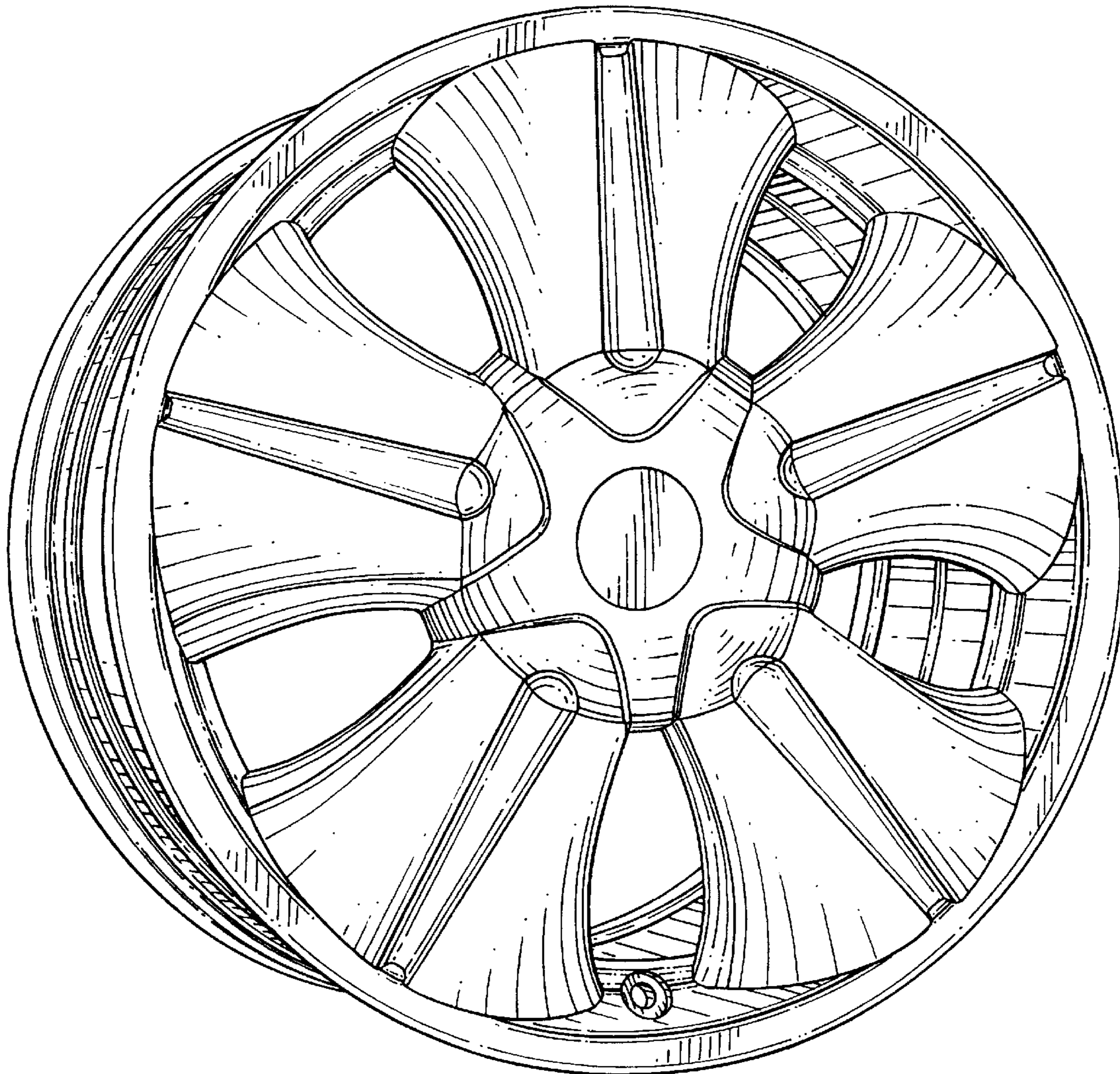


FIG. 1

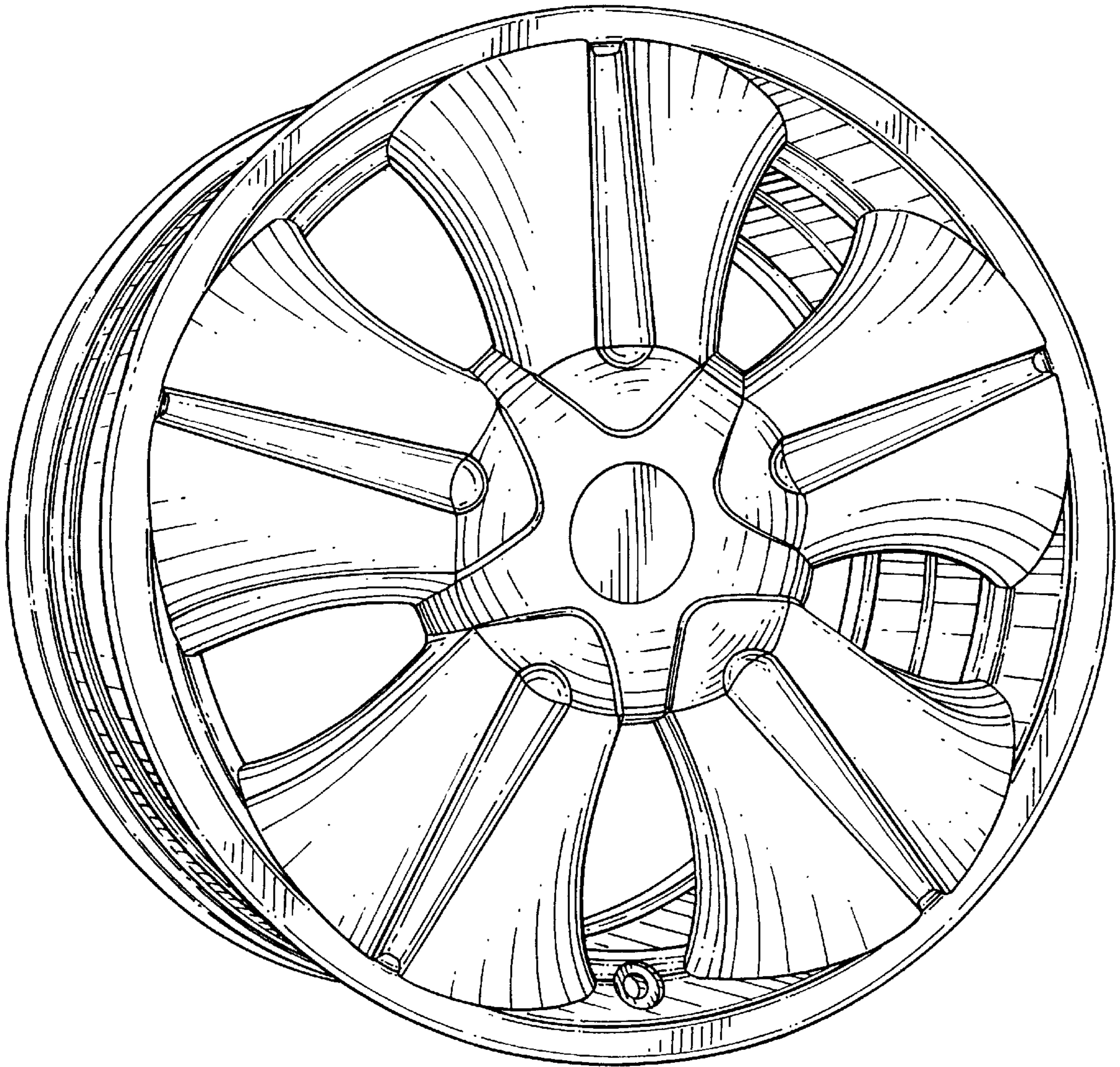


FIG. 2

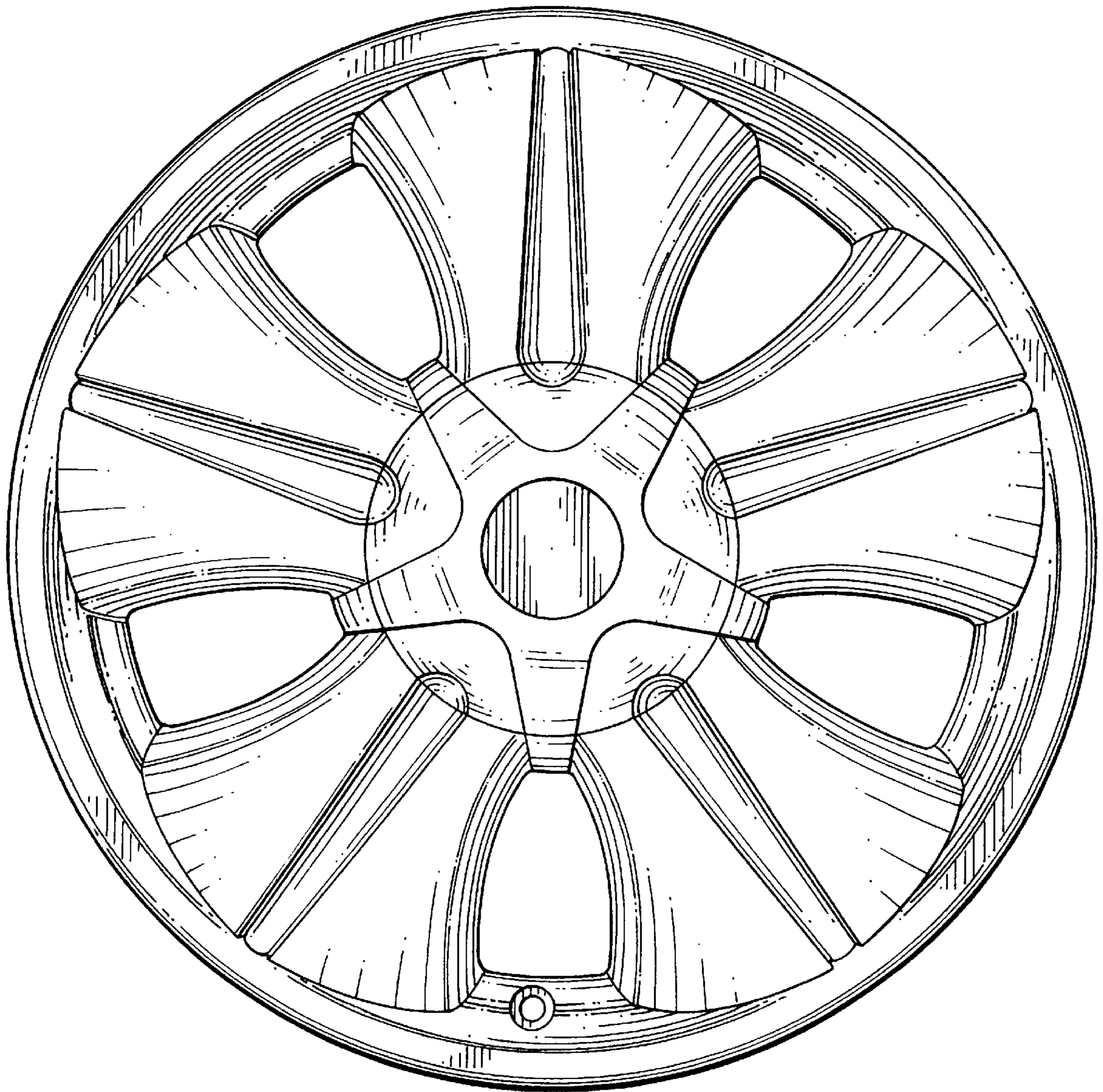
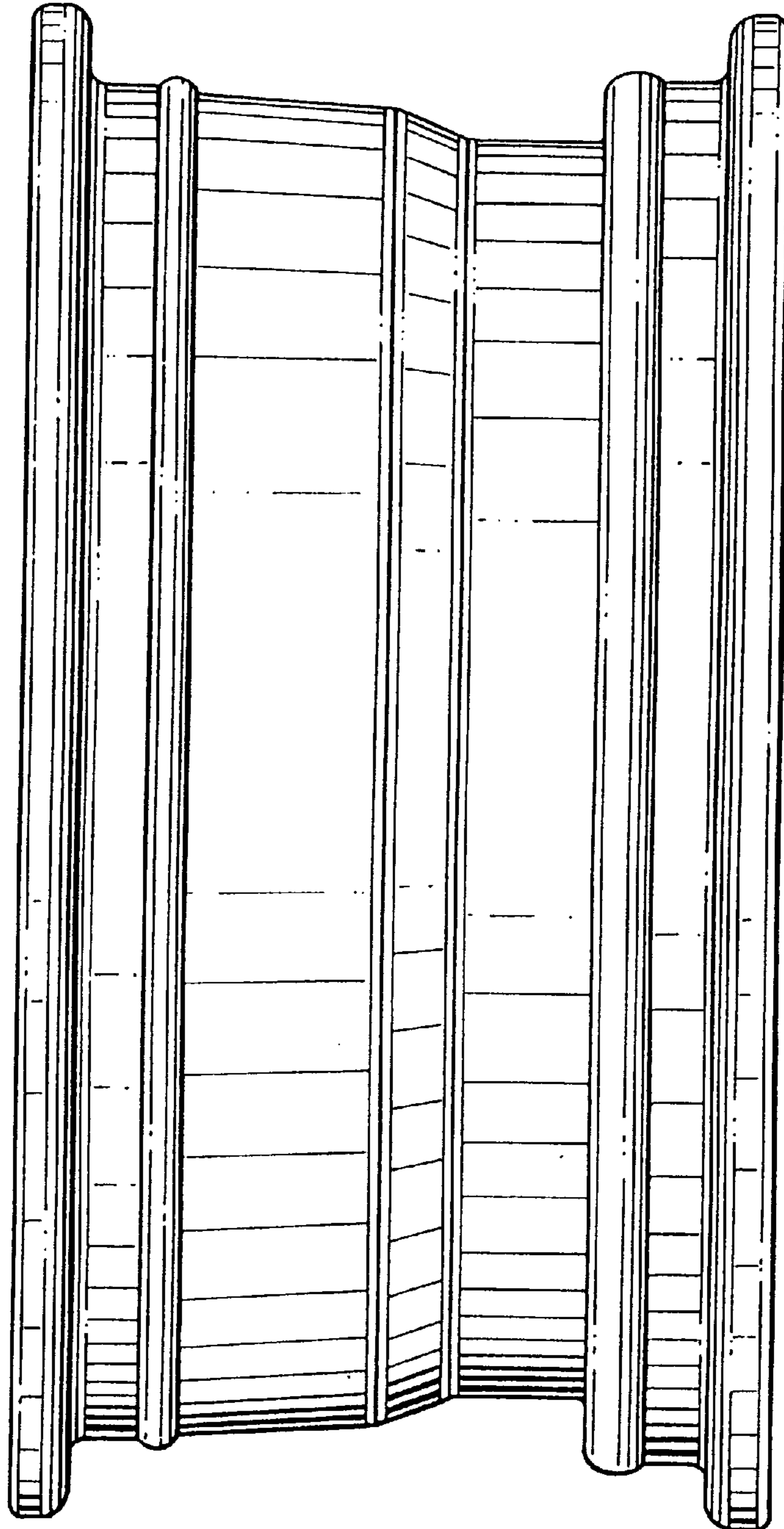


FIG. 3



UNITED STATES PATENT AND TRADEMARK OFFICE  
**CERTIFICATE OF CORRECTION**

PATENT NO. : Des. 419,513  
DATED : January 25, 2000  
INVENTOR(S) : Albertus Kus Hartanto

Page 1 of 1

It is certified that error appears in the above-identified patent and that said Letters Patent is hereby corrected as shown below:

Title Page.

Below "Inventor:", add -- [73] Assignee: **PT Prima Alloy Steel Universal,**  
Sidoarjo, Indonesia --.

Signed and Sealed this

Twenty-fourth Day of July, 2001

Attest:

*Nicholas P. Godici*

Attesting Officer

NICHOLAS P. GODICI  
Acting Director of the United States Patent and Trademark Office