



US00D419512S

United States Patent [19]

Sacco et al.

[11] Patent Number: **Des. 419,512**

[45] Date of Patent: **** Jan. 25, 2000**

[54] **FRONT SURFACE CONFIGURATION FOR VEHICLE WHEEL**

[75] Inventors: **Bruno Sacco**, Sindelfingen; **Peter Pfeiffer**, Boeblingen; **Peter Arcadipane**, Sindelfingen, all of Germany

[73] Assignee: **DaimlerChrysler AG**, Germany

[**] Term: **14 Years**

[21] Appl. No.: **29/084,289**

[22] Filed: **Feb. 27, 1998**

[30] **Foreign Application Priority Data**

Aug. 27, 1997 [DE] Germany M 97 07 821

[51] **LOC (7) Cl.** **12-16**

[52] **U.S. Cl.** **D12/209**

[58] **Field of Search** D12/204-213;
301/64.1, 65, 37.1

[56] **References Cited**

U.S. PATENT DOCUMENTS

D. 197,841 3/1964 Deaver D12/209

D. 212,941	12/1968	Van Winsen	D12/209
D. 302,264	7/1989	Soederberg	D12/209
D. 367,031	2/1996	Hubbach	D12/209
D. 375,286	11/1996	Abbott	D12/209
D. 389,112	1/1998	Chung	D12/209
D. 391,216	2/1998	Bollmann et al.	D12/209
D. 412,479	8/1999	Sacco et al.	D12/209

Primary Examiner—Doris V. Coles
Assistant Examiner—Stacia Cadmus
Attorney, Agent, or Firm—Evenson, McKeown, Edwards & Lenahan, P.L.L.C.

[57] **CLAIM**

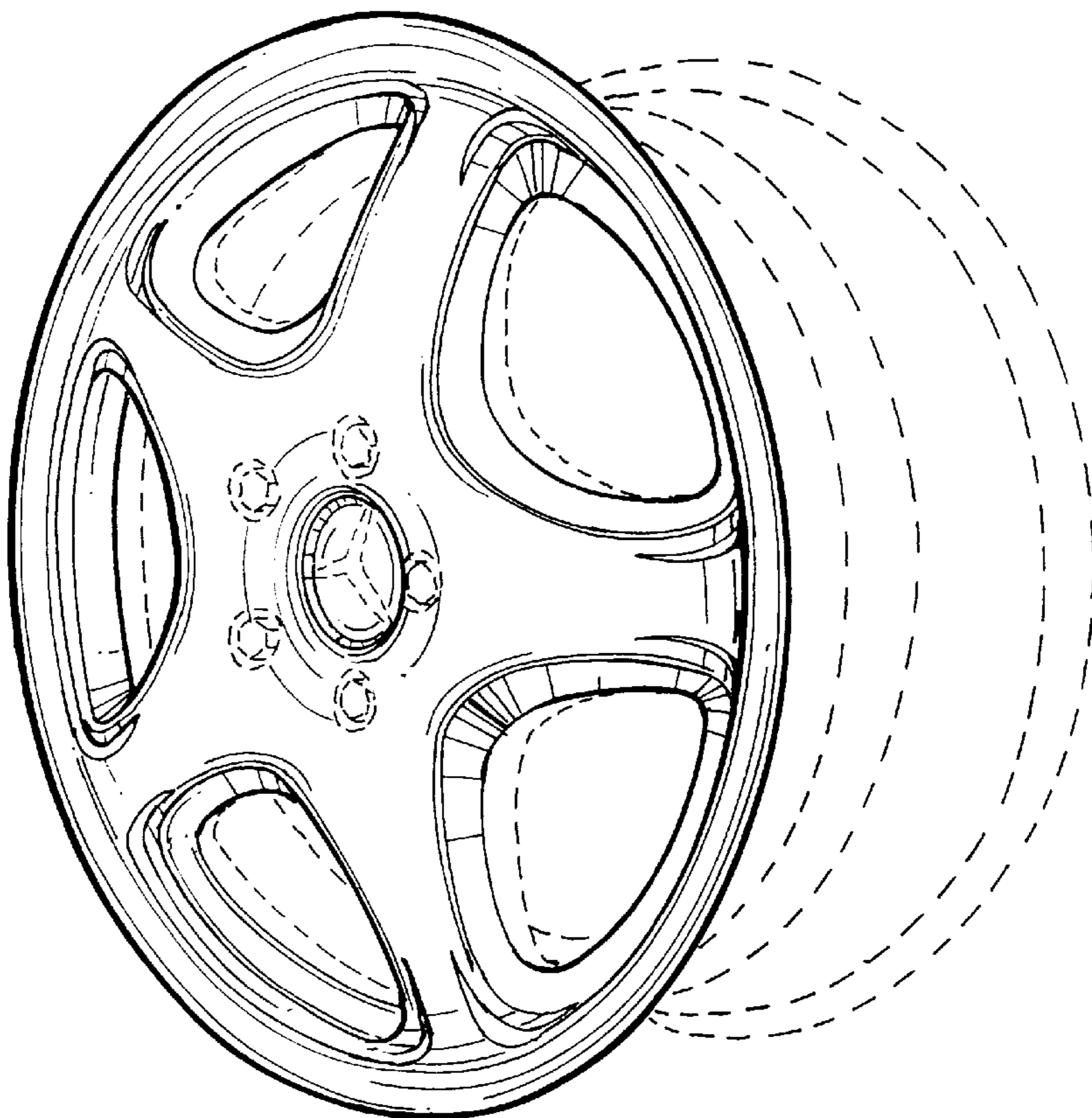
The ornamental design for a front surface configuration for vehicle wheel, as shown and described.

DESCRIPTION

FIG. 1 is a front view of a front surface configuration for vehicle wheel according to our novel design; and, FIG. 2 is a perspective view from the front side of a front surface configuration for vehicle wheel according to our novel design.

The dash line showing depicts environment and is not part of the claimed design.

1 Claim, 1 Drawing Sheet



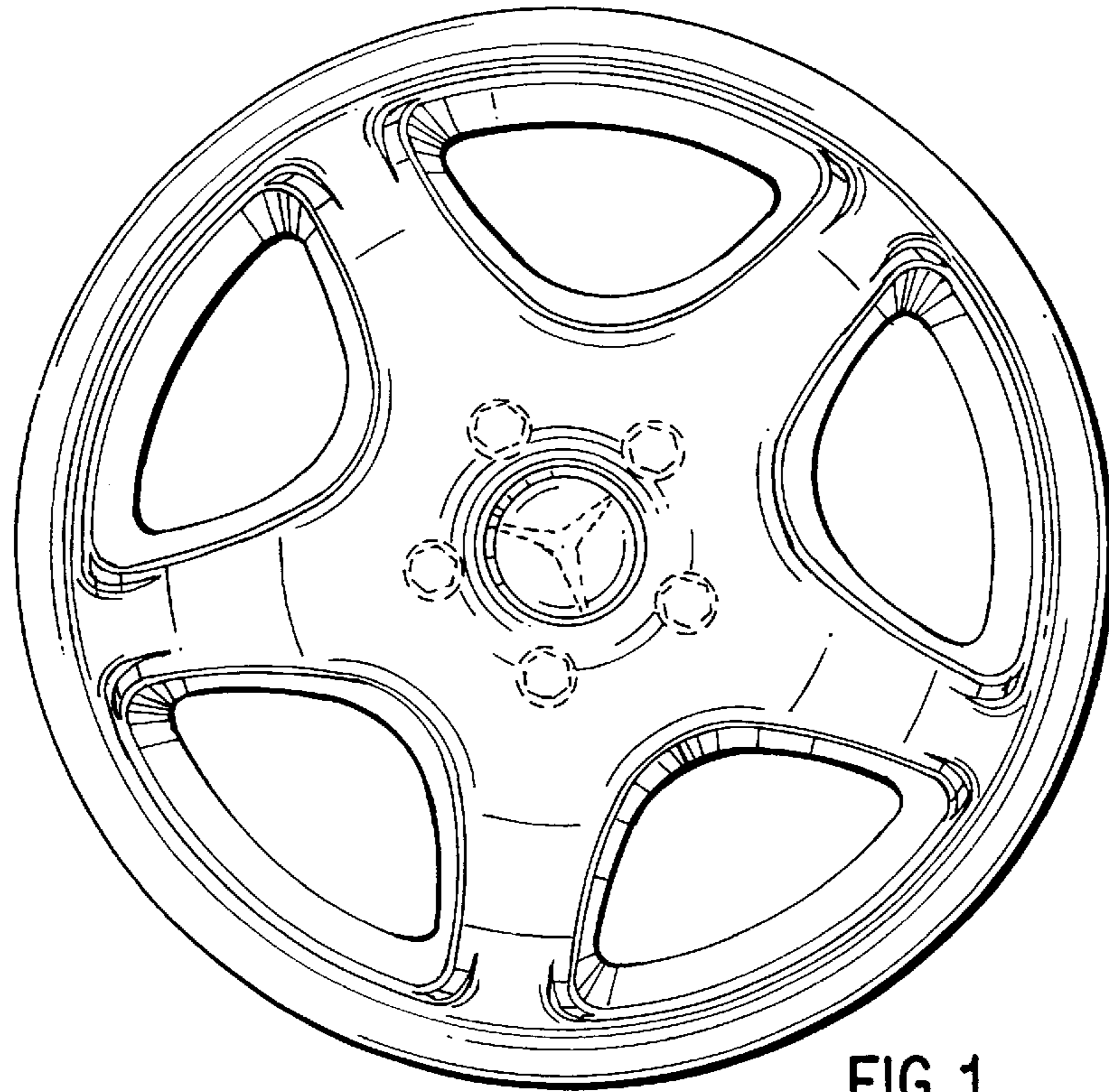


FIG. 1

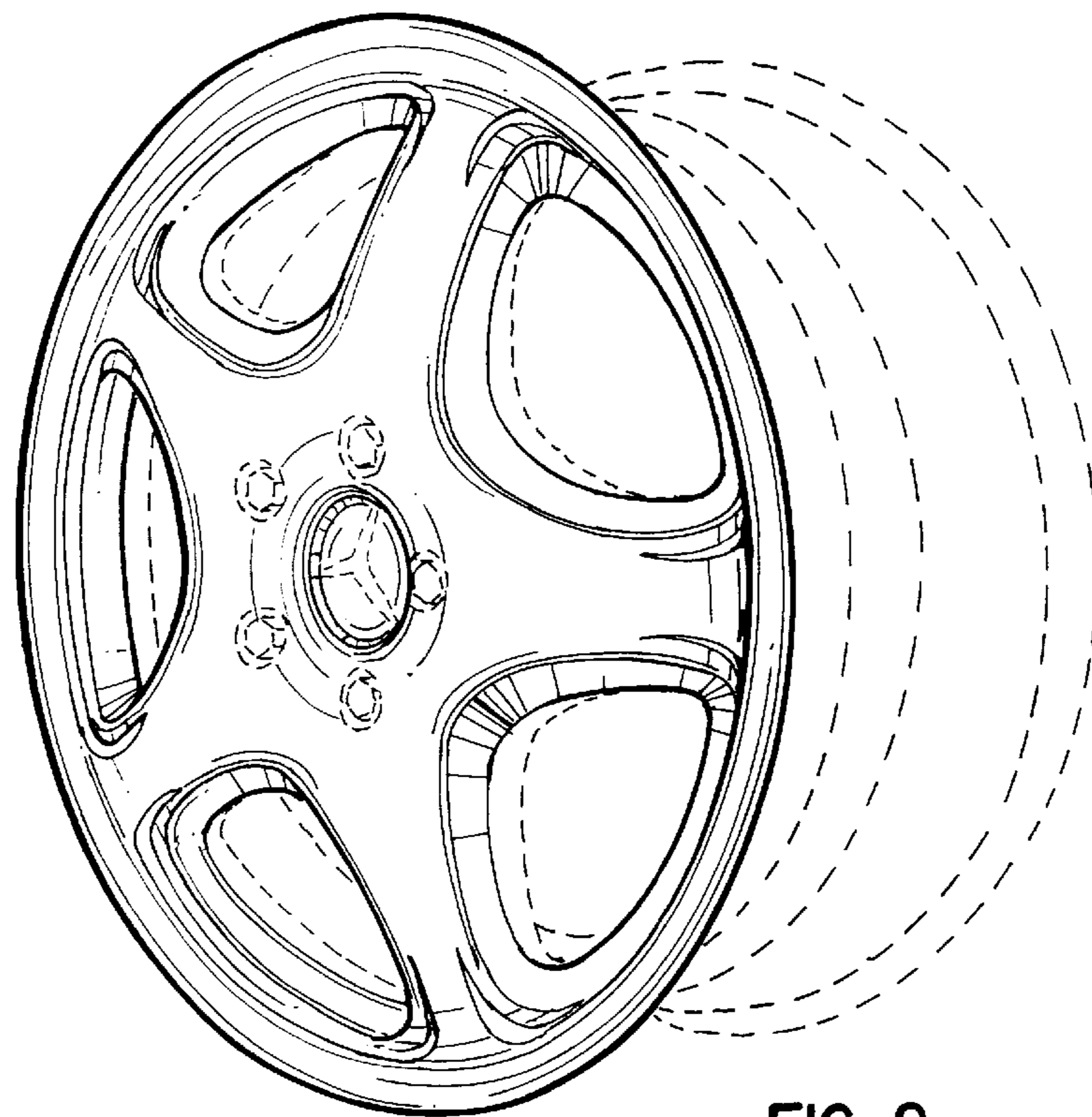


FIG. 2