



US00D419505S

United States Patent [19]
Deerman

[11] **Patent Number: Des. 419,505**
[45] **Date of Patent: ** Jan. 25, 2000**

[54] **COVER FOR TRAILER HITCH RECEIVER**

[75] Inventor: **Wade Deerman**, Birmingham, Ala.

[73] Assignee: **Racoon Mountain Industries, Inc.**,
Birmingham, Ala.

[**] Term: **14 Years**

[21] Appl. No.: **29/095,226**

[22] Filed: **Oct. 19, 1998**

[51] **LOC (7) Cl.** **12-16**

[52] **U.S. Cl.** **D12/162**

[58] **Field of Search** D12/162, 193,
D12/400; 40/200, 209, 211, 591; 224/522,
524, 527; 280/495, 511, 727, 769

[56] **References Cited**

U.S. PATENT DOCUMENTS

D. 399,805	10/1998	Donalies	D12/162
D. 401,194	11/1998	Harwood	D12/162
D. 405,744	2/1999	Young et al.	D12/162
4,050,714	9/1977	Epp	280/495
5,570,826	11/1996	Garbes et al.	224/524
5,603,178	2/1997	Morrison	40/591
5,727,805	3/1998	La Roque	280/727
5,783,265	7/1998	Parkander	40/209

OTHER PUBLICATIONS

Hitch Cap, JC Whitney Auto Accessories Catalog, p. 84,
Aug. 1995.

Primary Examiner—Robert M. Spear

Attorney, Agent, or Firm—Robert J. Veal; Kenneth M. Bush;
Veal & Bush, LLC

[57] **CLAIM**

The ornamental design for a cover for trailer hitch receiver,
as shown and described.

DESCRIPTION

FIG. 1 is a perspective view of a cover for trailer hitch receiver showing my new design;

FIG. 2 is a perspective view of the side opposite that shown in FIG. 1;

FIG. 3 an end elevational view thereof;

FIG. 4 an end elevational view of the end opposite that shown in FIG. 3;

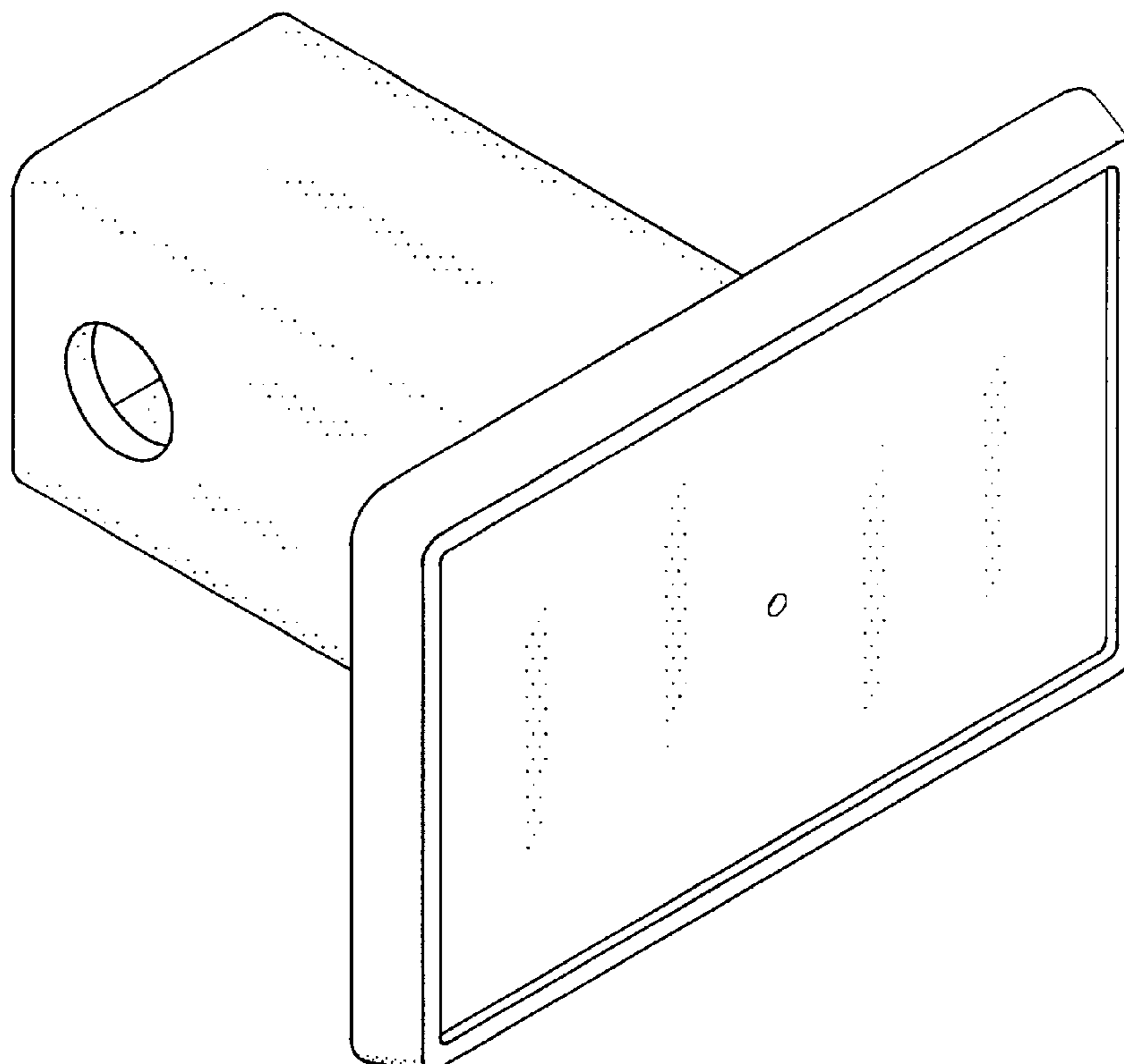
FIG. 5 is a top plan view, the bottom view being identical;

FIG. 6 is a side elevational view, the side not shown being a mirror image of the side shown;

FIG. 7 is a perspective view of an alternate embodiment, differing from the first embodiment only in the addition of a second aperture along each side of the cover shank; and,

FIG. 8 is a perspective view of the side opposite that shown in FIG. 7.

1 Claim, 3 Drawing Sheets



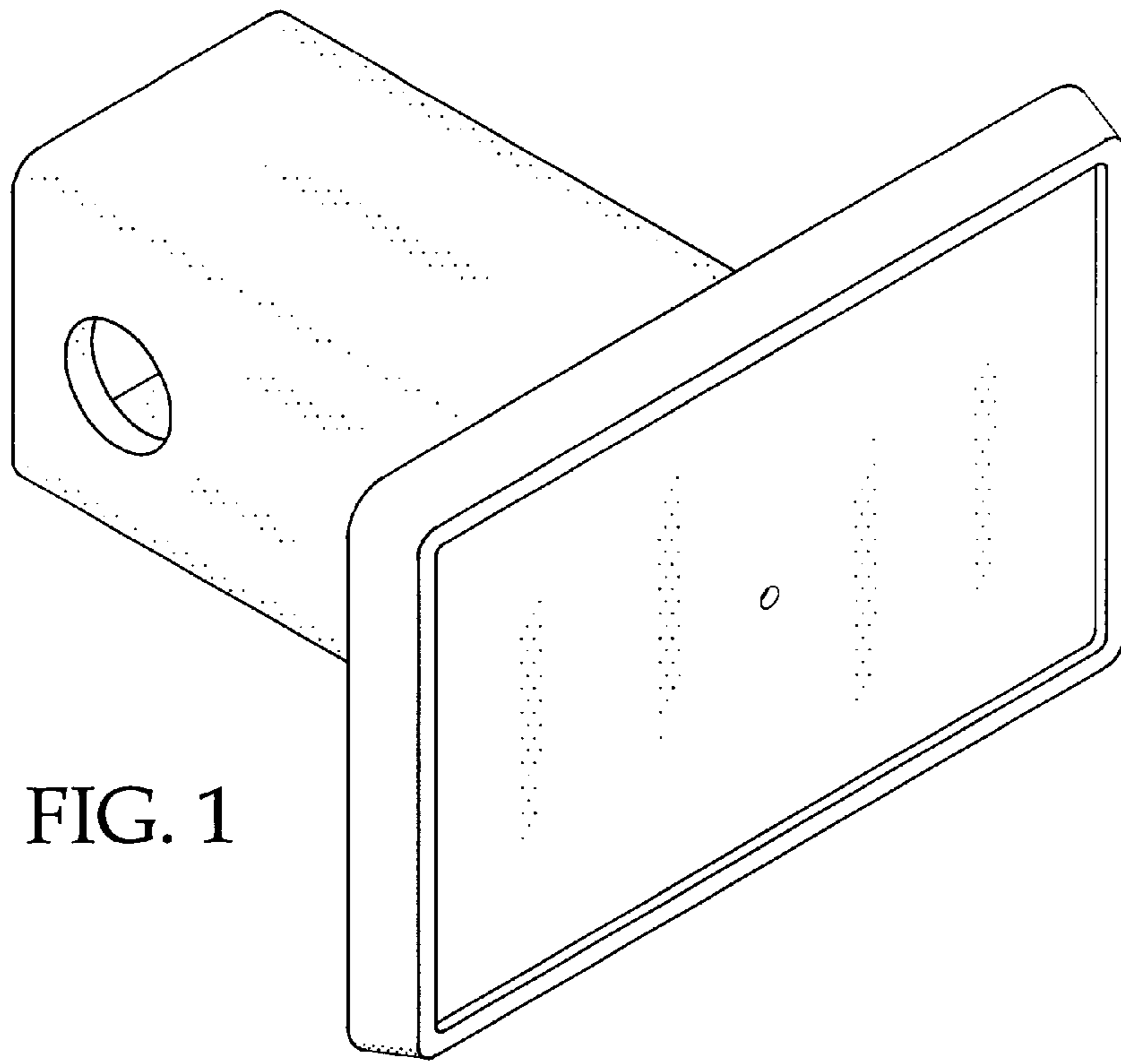


FIG. 1

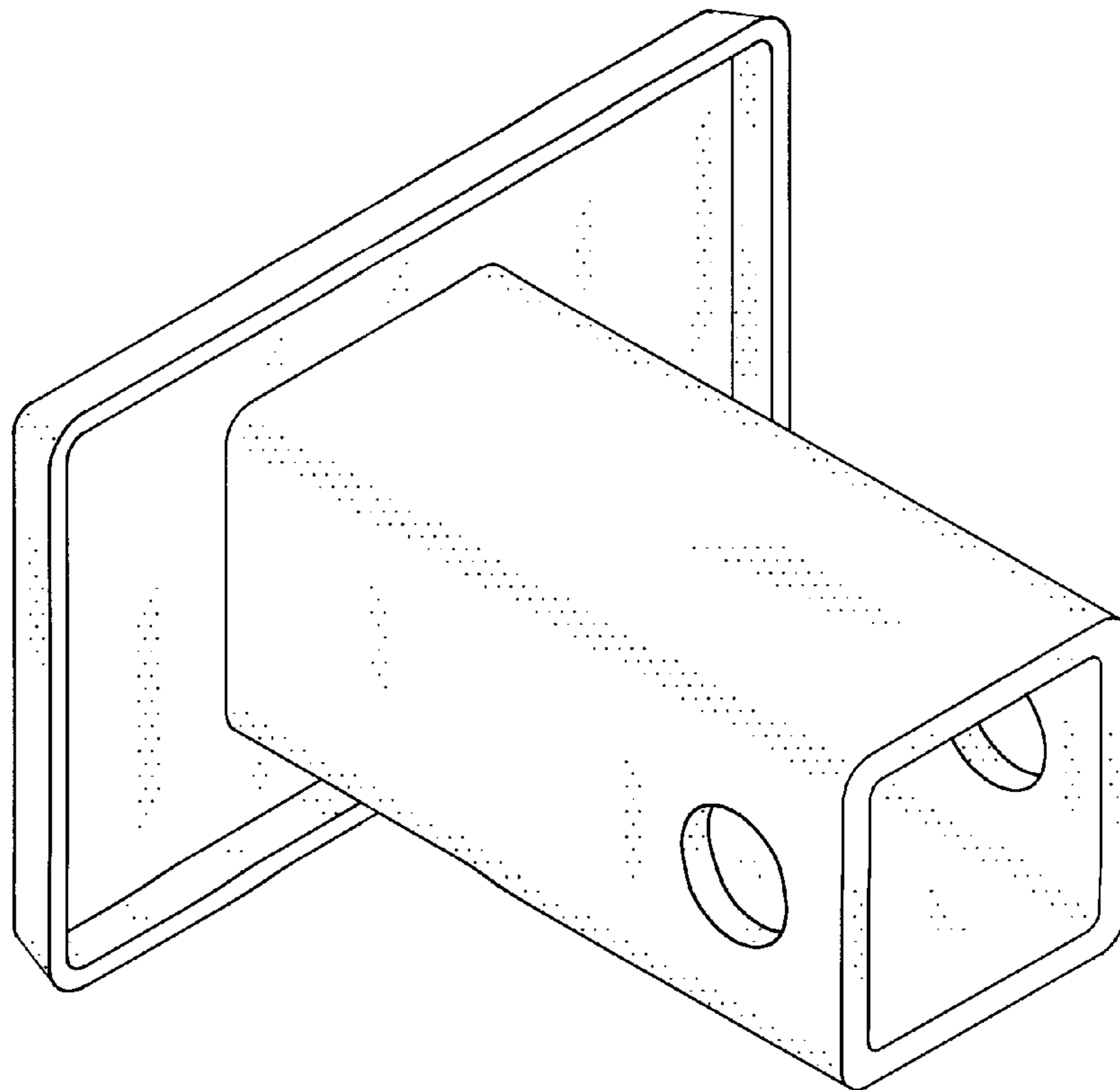


FIG. 2

FIG. 3

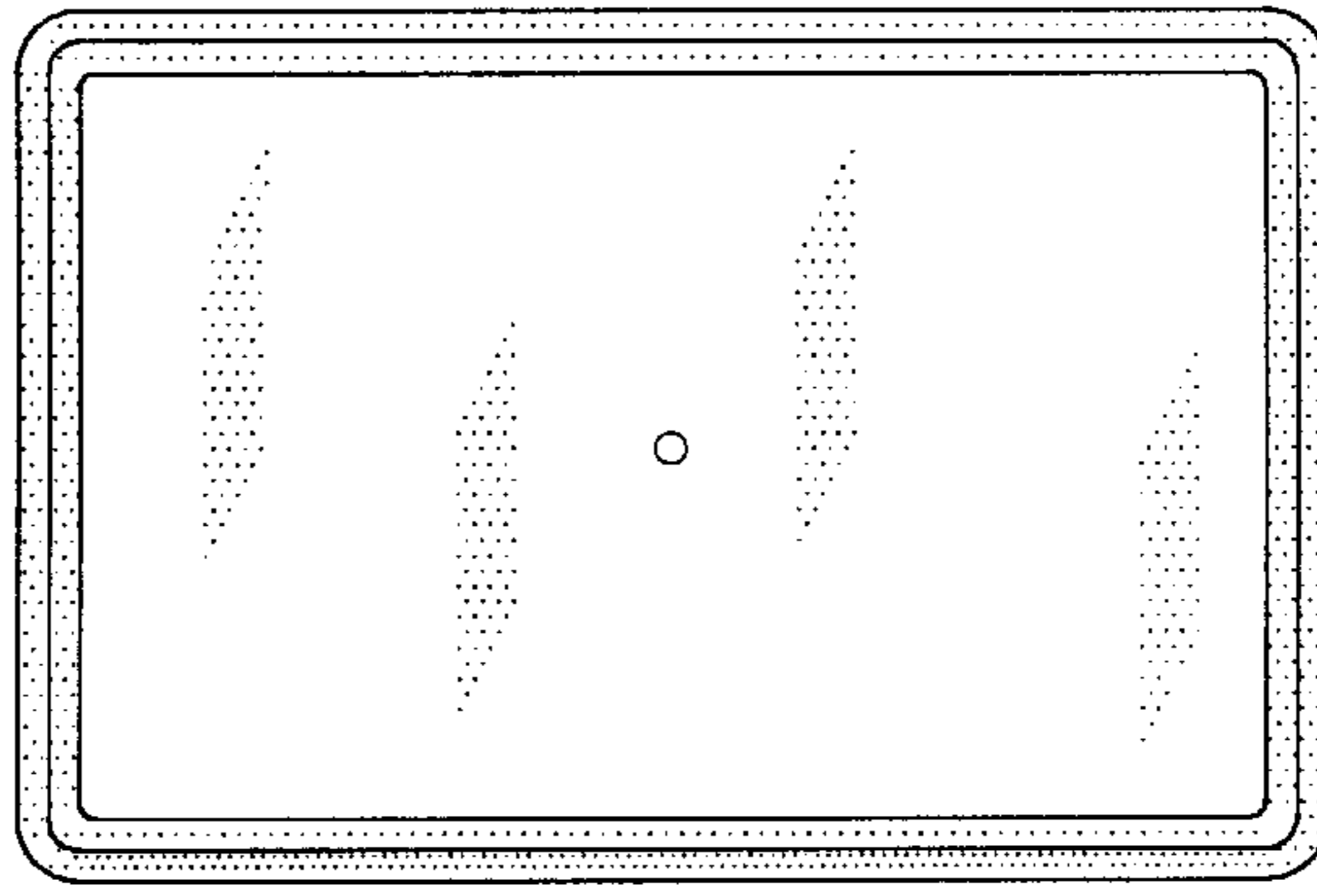


FIG. 4

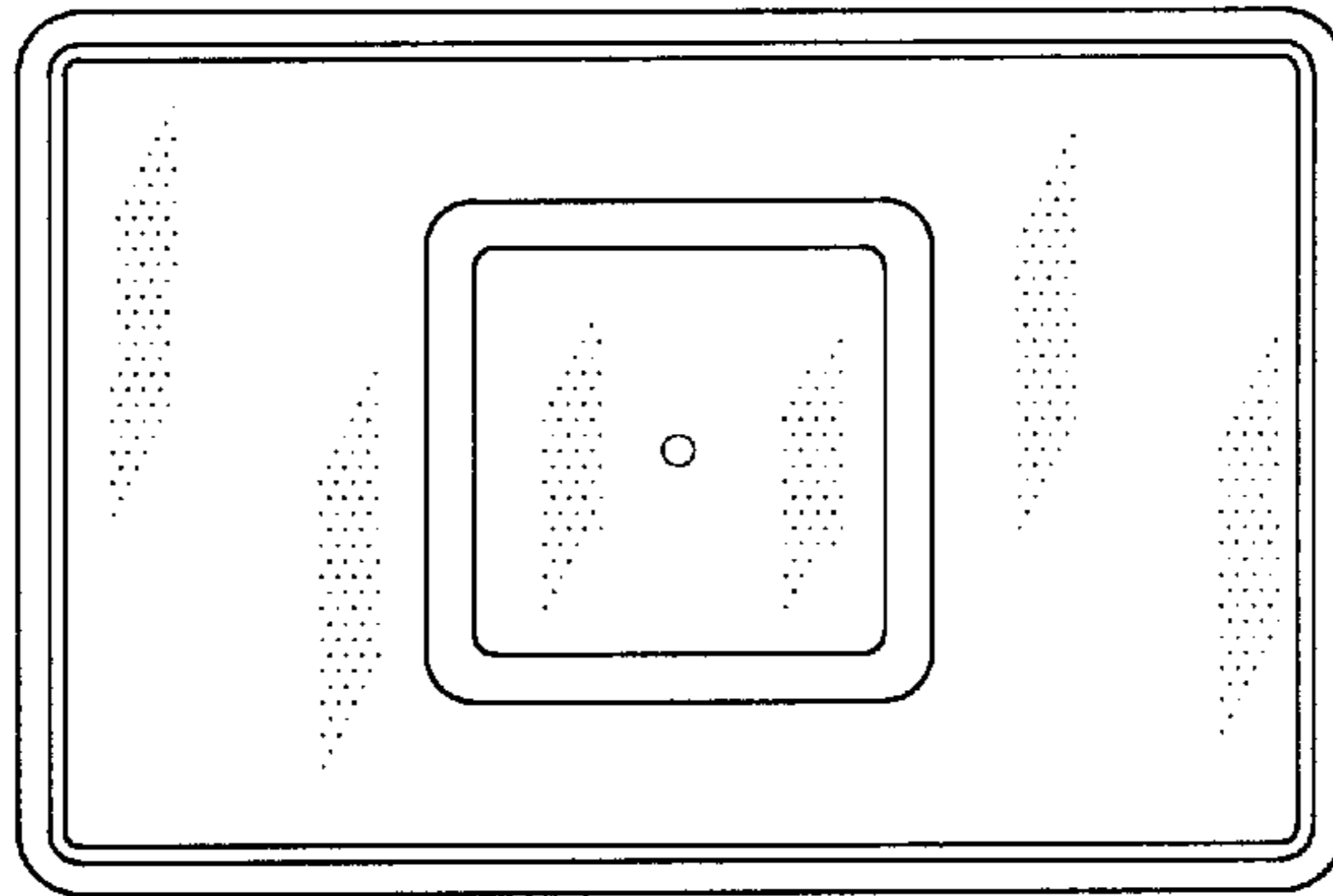


FIG. 5

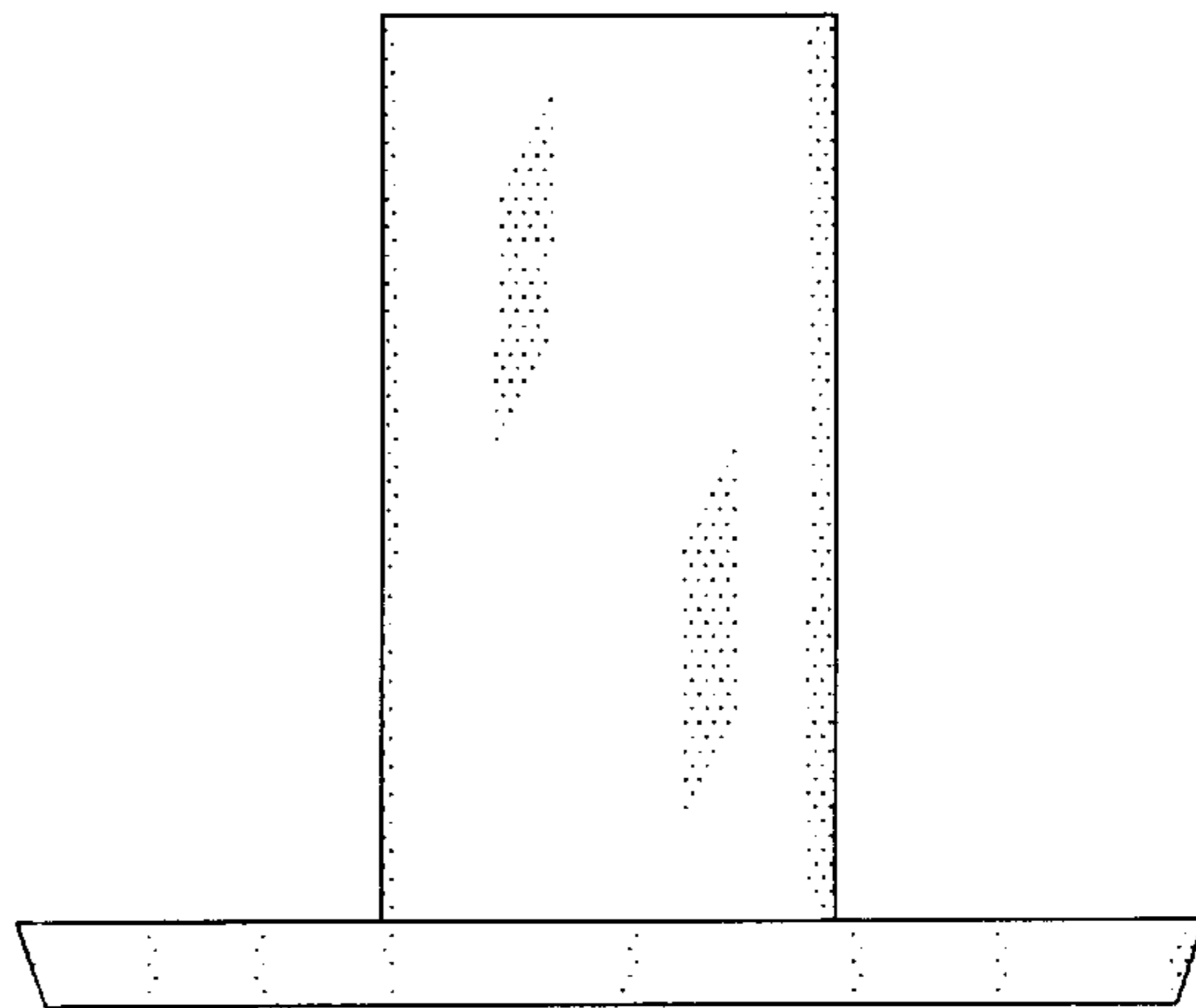
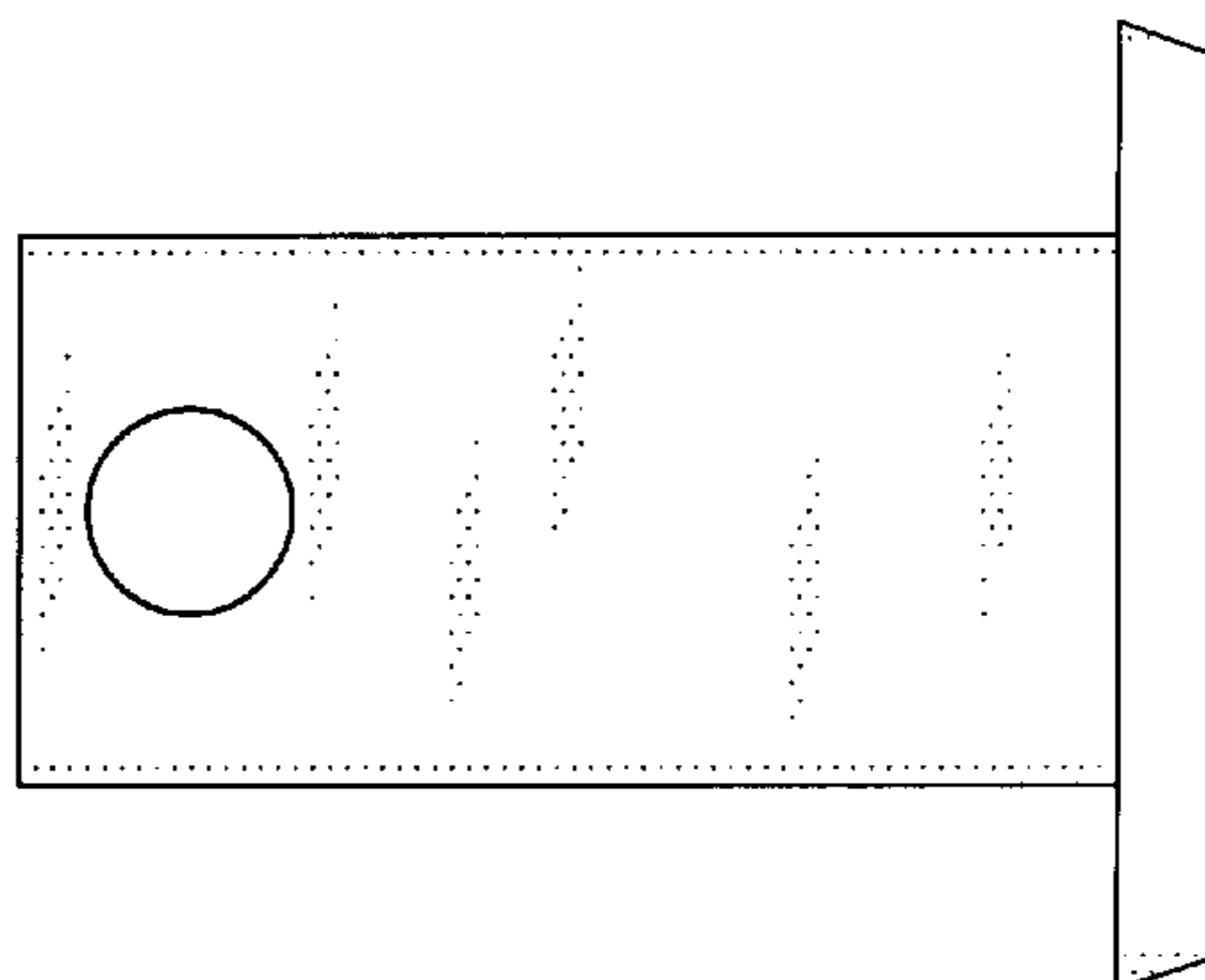


FIG. 6



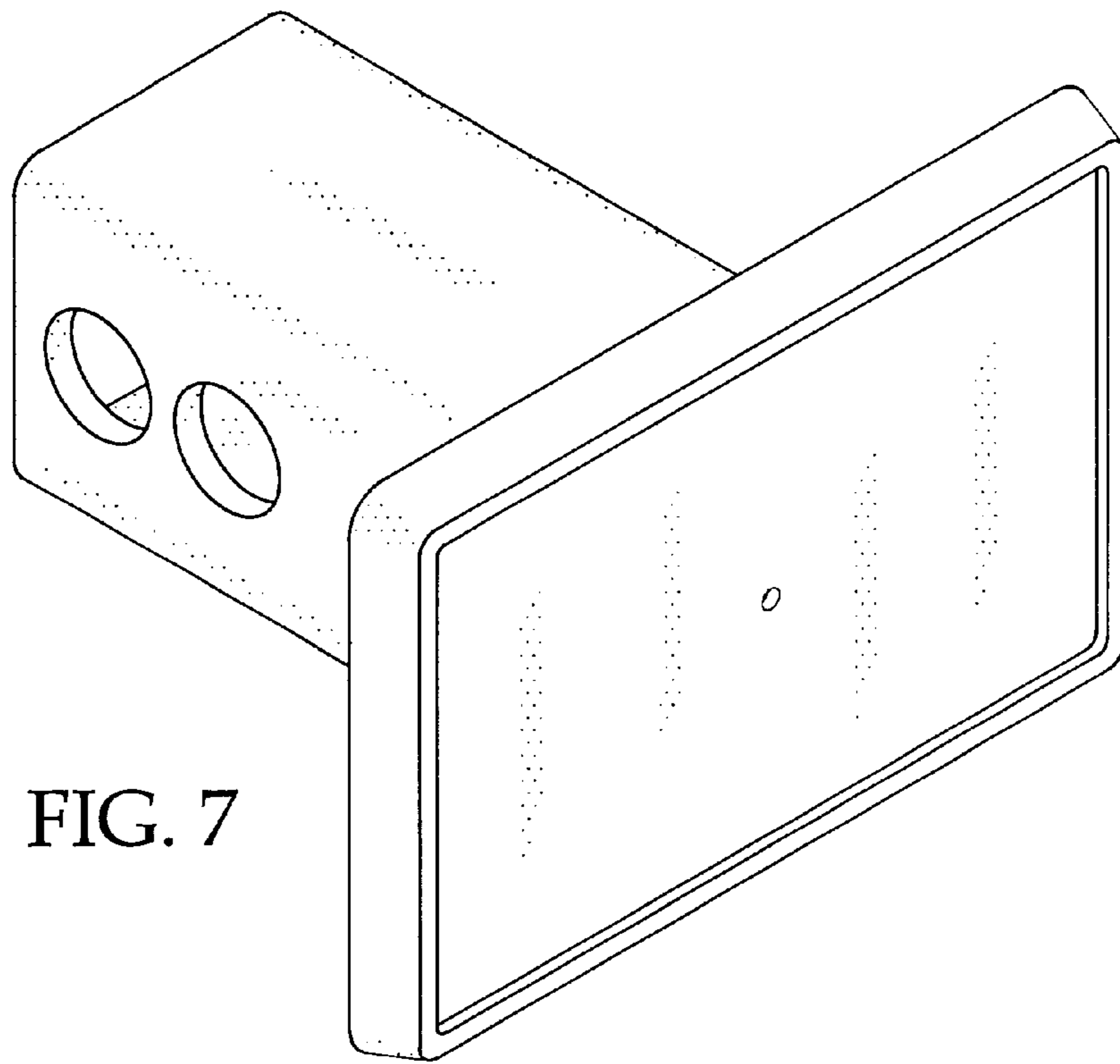


FIG. 7

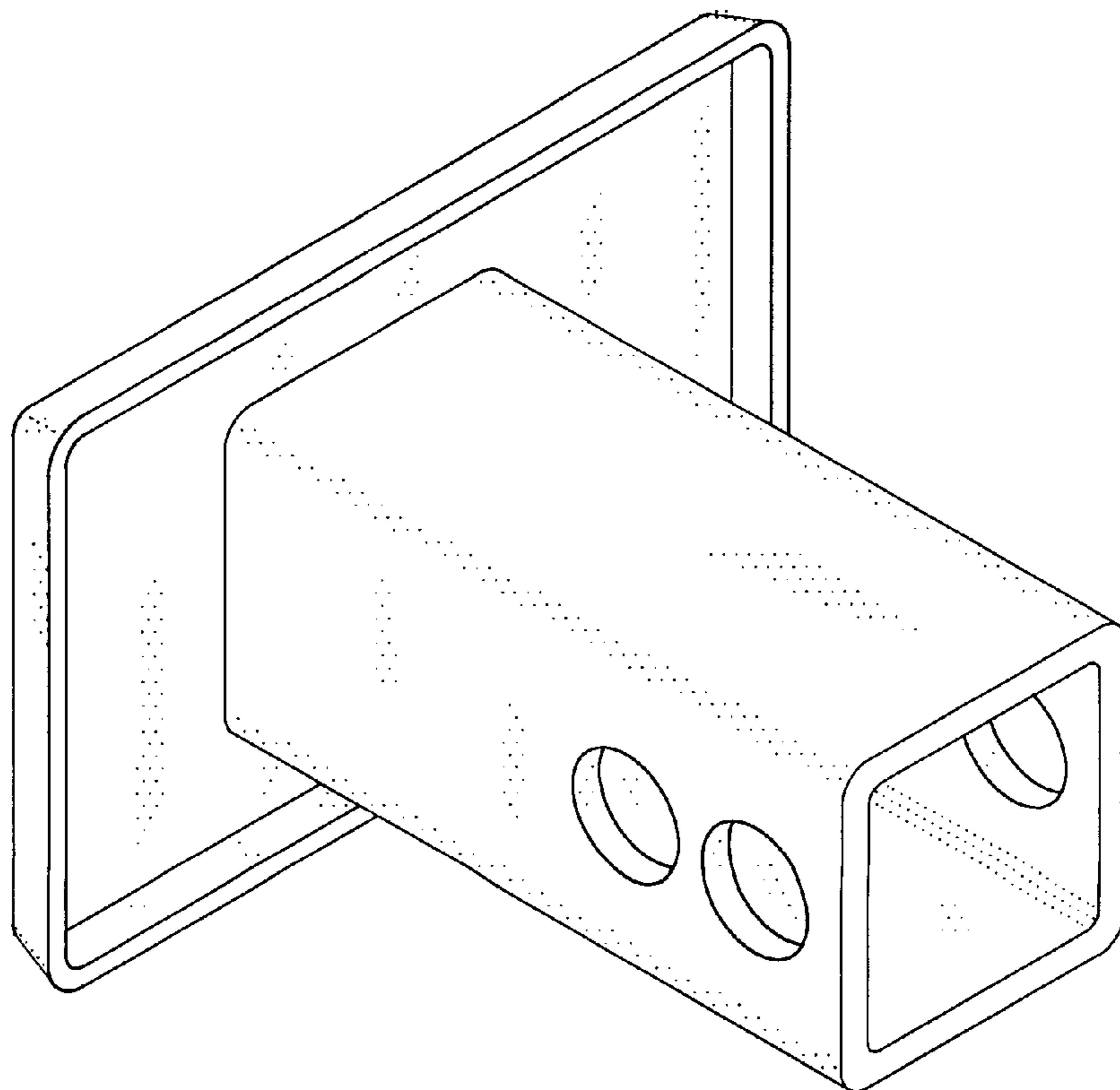


FIG. 8