



US00D419500S

United States Patent [19] Edwards

[11] Patent Number: Des. 419,500

[45] Date of Patent: ** Jan. 25, 2000

[54] TIRE TREAD

D. 403,630 1/1999 Maxwell et al. D12/147

[75] Inventor: Everett J. Edwards, Stow, Ohio

OTHER PUBLICATIONS

[73] Assignee: Bridgestone/Firestone Research, Inc.,
Akron, Ohio

Hercules Ultra AQT Tire, 1997 Tread Design Guide, p. 39.
4/1, Jan. 1997.

[**] Term: 14 Years

Pirelli P6000 Tire, 1997 Tread Design Guide, p. 61. 2/1, Jan.
1997.

[21] Appl. No.: 29/099,310

Primary Examiner—Robert M. Spear
Attorney, Agent, or Firm—John M. Vasuta; Michael Sand

[22] Filed: Jan. 19, 1999

[57] CLAIM

[51] LOC (7) Cl. 12-15

The ornamental design for a tire tread, as shown and
described.

[52] U.S. Cl. D12/147

[58] Field of Search D12/138-152;
152/209.1, 209.8, 209.9, 209.11, 209.16,
209.18, 209.28, 900, 901, 902, 903

DESCRIPTION

[56] References Cited

U.S. PATENT DOCUMENTS

D. 301,024	5/1989	Himuro et al.	D12/147
D. 319,993	9/1991	Croley et al.	D12/147
D. 373,338	9/1996	Attinello et al.	D12/146
D. 379,791	6/1997	Heinen et al.	D12/147
D. 382,236	8/1997	Kakegawa et al.	D12/147
D. 384,309	9/1997	Heinen	D12/147
D. 384,615	10/1997	Lim et al.	D12/147
D. 386,728	11/1997	Jeong	D12/147
D. 389,788	1/1998	Galante et al.	D12/146
D. 392,229	3/1998	Shirai et al.	D12/147
D. 395,858	7/1998	Hanya	D12/147
D. 397,973	9/1998	Morishita et al.	D12/147
D. 397,974	9/1998	Morishita et al.	D12/147
D. 399,797	10/1998	Bergstrom et al.	D12/146

FIG. 1 is a side perspective view of a tire tread showing my
new design, it being understood that the tread pattern is
repeated throughout the circumference of the tire tread, the
opposite side being the same as that shown;

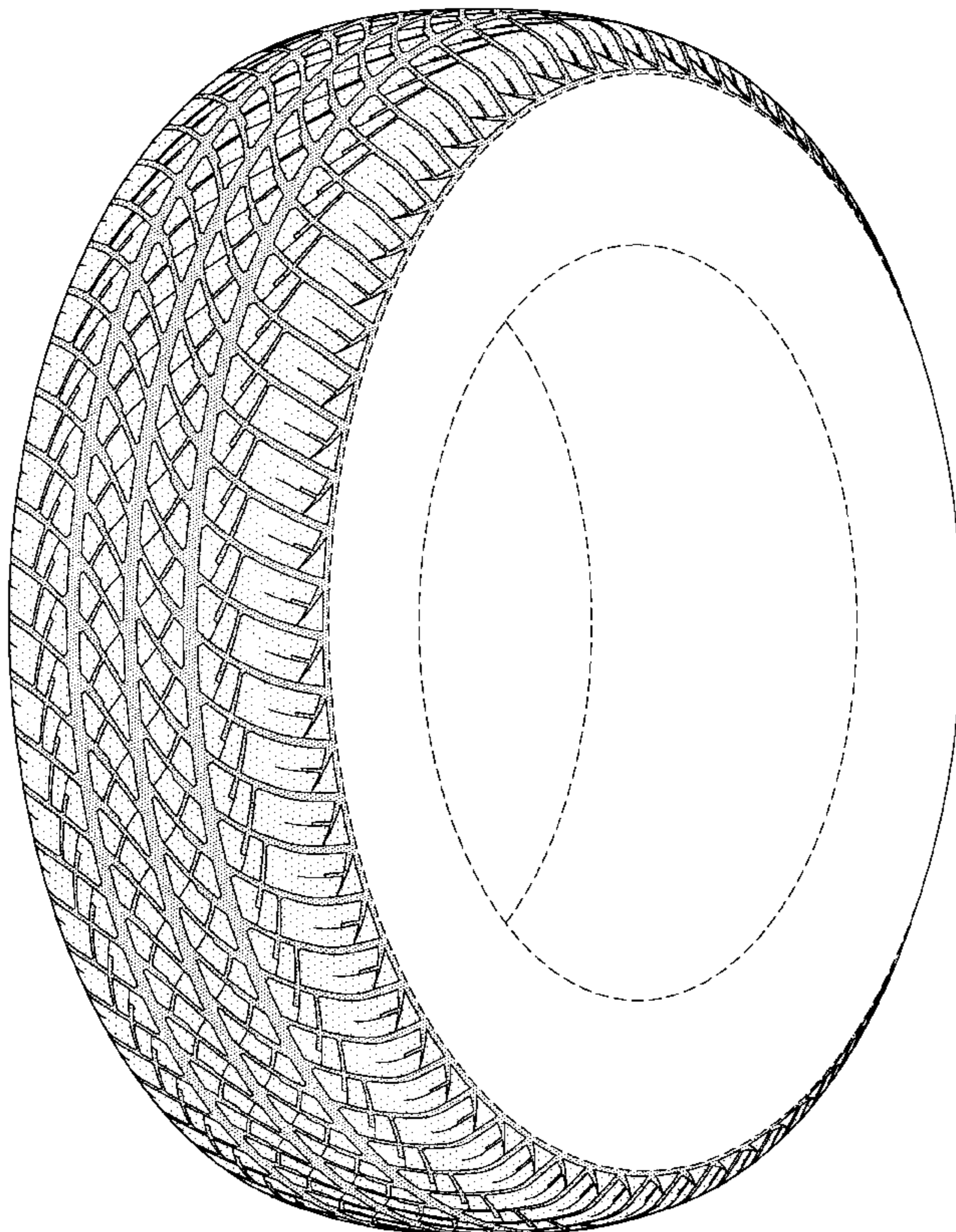
FIG. 2 is a front elevational view thereof;

FIG. 3 is a side elevational view of the right side thereof, the
opposite side being identical thereto; and,

FIG. 4 is an enlarged fragmentary front elevational view
thereof.

The dark stippled surface shading represents the recessed
portion of the tread grooves, having a depth as best shown
in FIG. 2; the broken lines defining the tire sidewall and
inner bead and the peripheral boundary between the tire
tread and sidewall are for illustrative purposes only and form
no part of the claimed design.

1 Claim, 4 Drawing Sheets



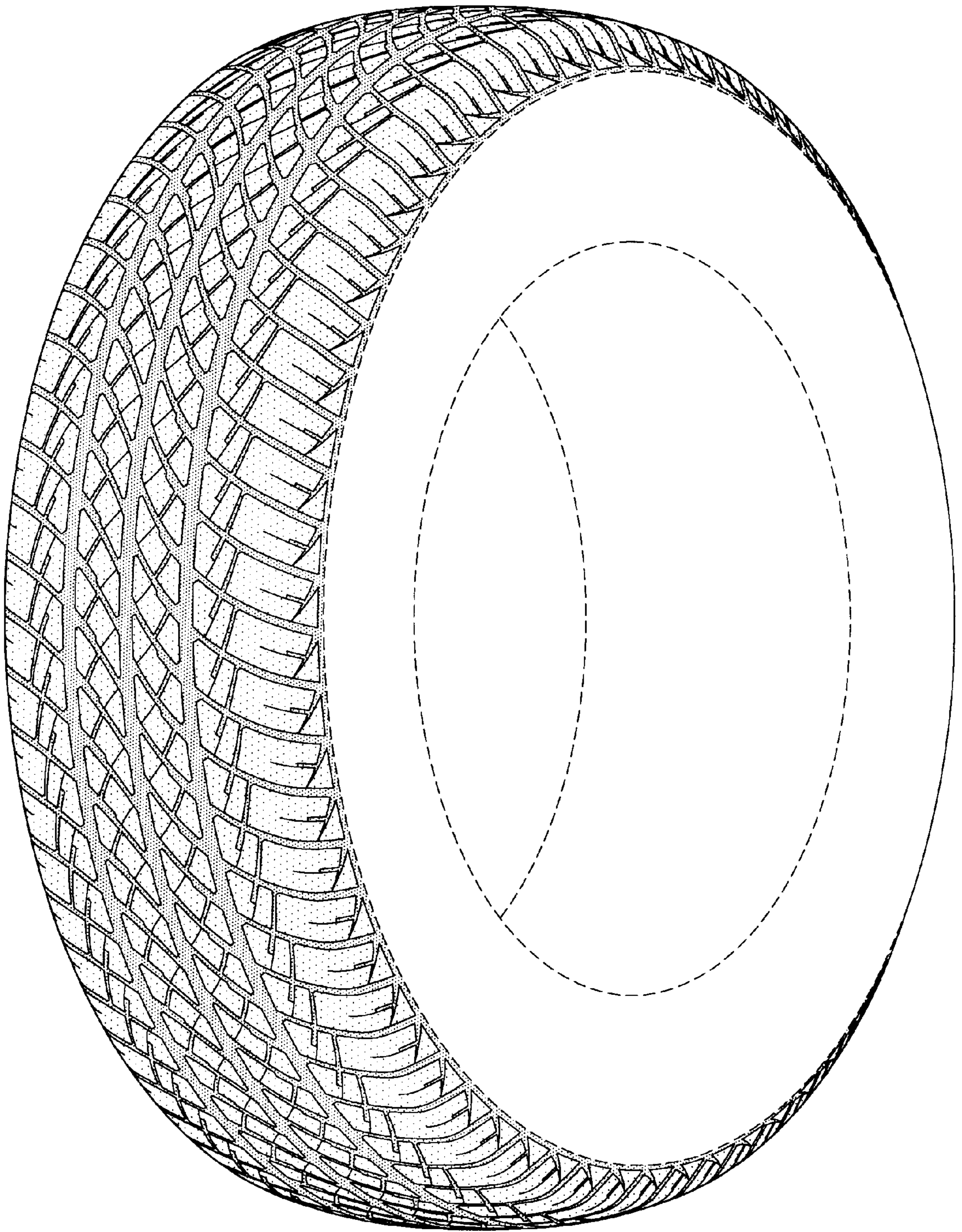


FIG-1

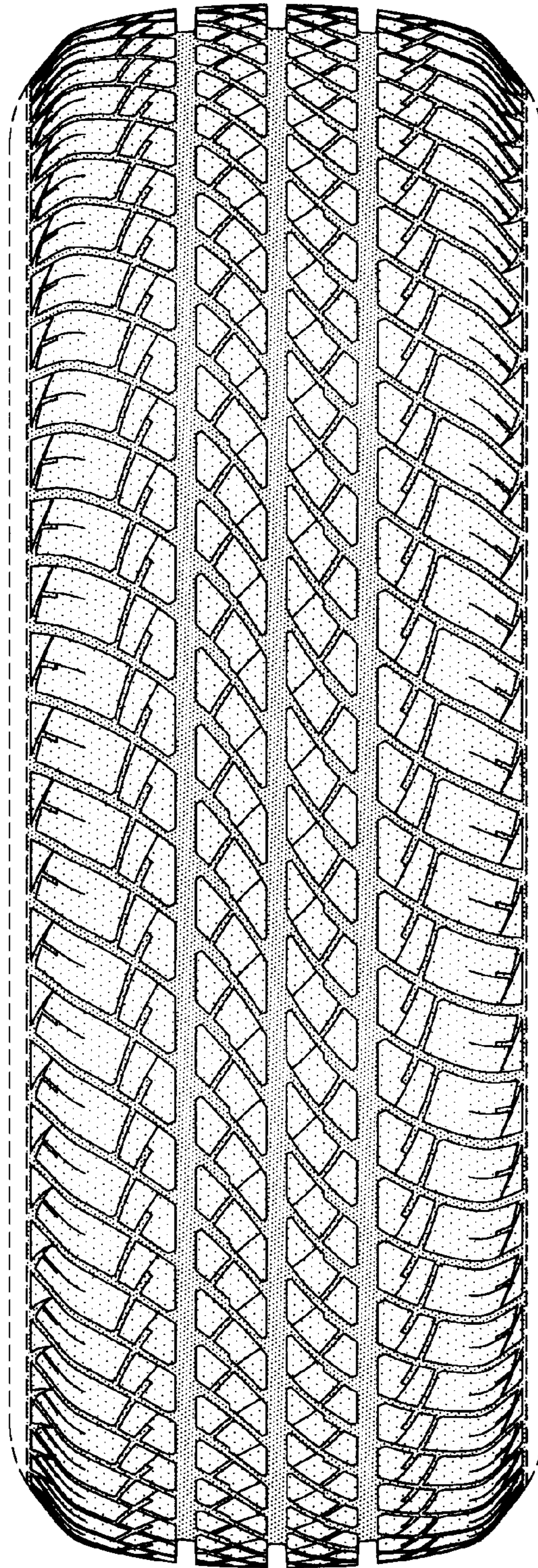


FIG-2

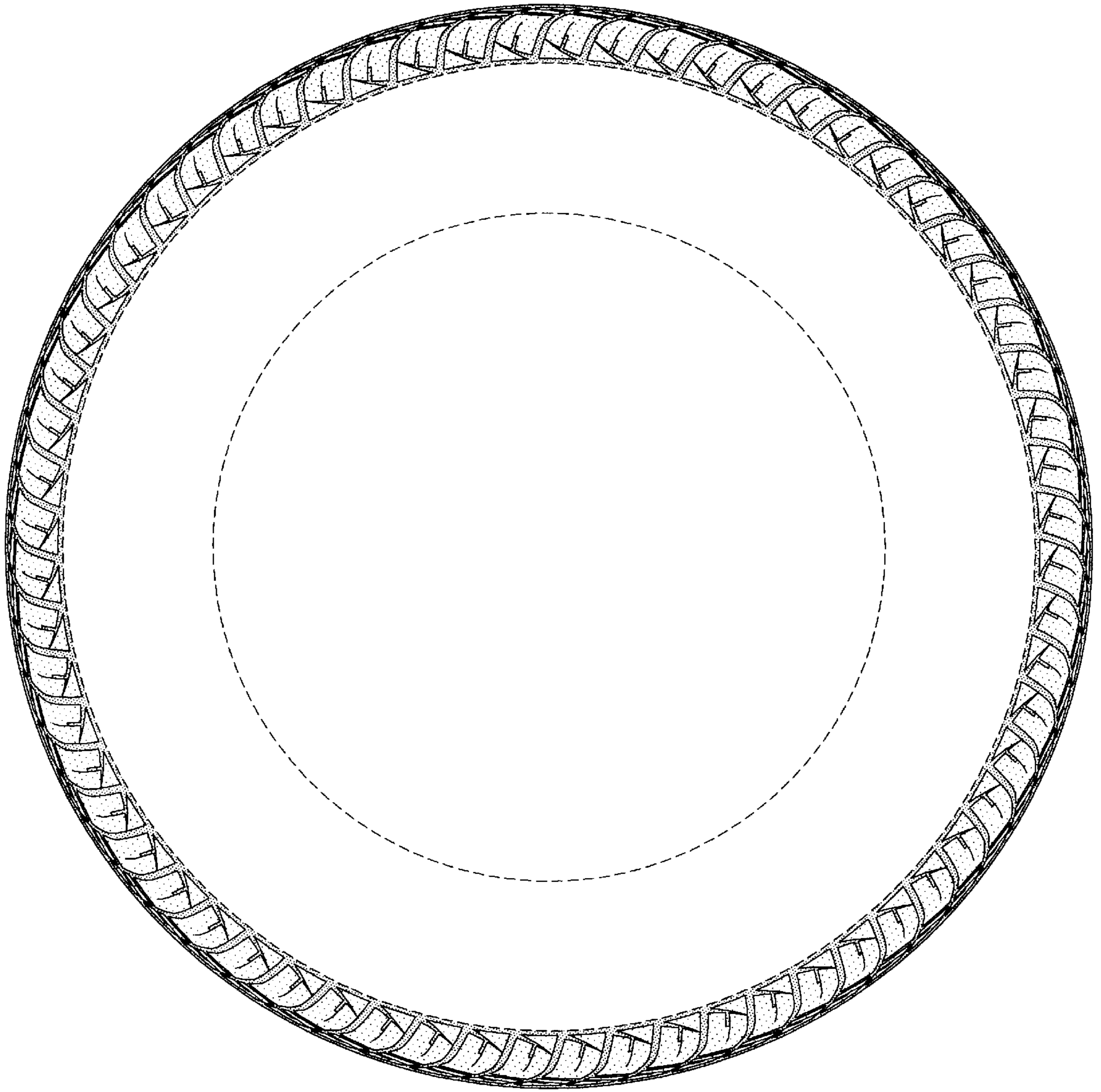


FIG-3

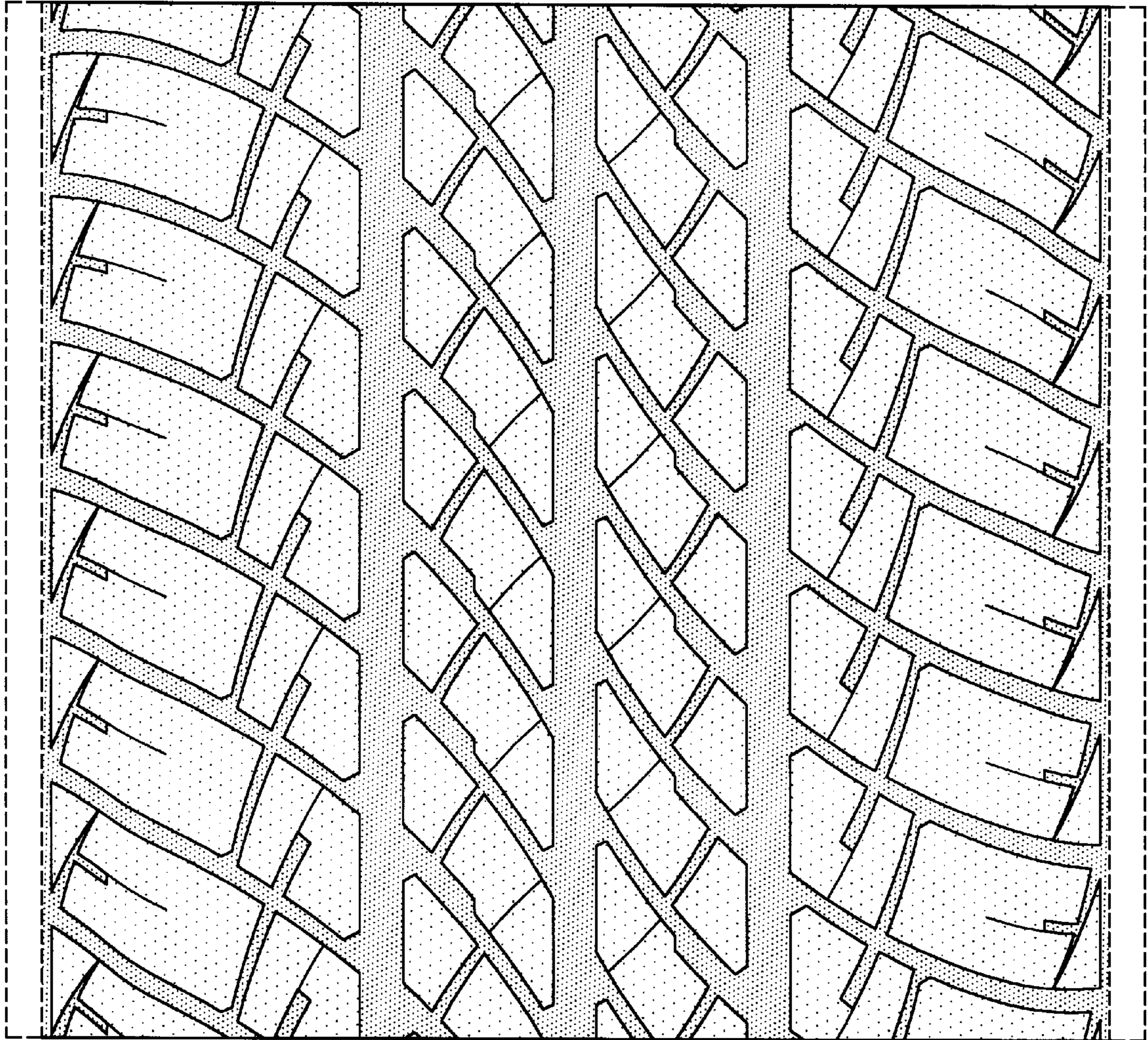


FIG-4