



US00D419495S

United States Patent [19] Muhanna

[11] **Patent Number: Des. 419,495**
[45] **Date of Patent: ** Jan. 25, 2000**

[54] **INFLATABLE PAD FOR ATTACHMENT TO A BACKBOARD**

4,872,229 10/1989 Brady 5/455
4,908,895 3/1990 Walker 255/453
5,317,770 6/1994 Sakurai 5/625

[76] Inventor: **Nabil L. Muhanna**, 2128 Valley Rd.,
Gainesville, Ga. 30501

Primary Examiner—Janice E. Seeger
Attorney, Agent, or Firm—Womble Carlyle Sandridge &
Rice; Louis T. Isaf

[**] Term: **14 Years**

[21] Appl. No.: **29/094,816**

[57] **CLAIM**

[22] Filed: **Oct. 9, 1998**

The ornamental design for an inflatable pad for attachment to a backboard, as shown and described.

[51] **LOC (7) Cl.** **12-12**

DESCRIPTION

[52] **U.S. Cl.** **D12/133; D6/596; D6/604**

[58] **Field of Search** D6/595, 596, 601,
D6/604, 605, 382; D12/128, 133; D21/803;
5/630, 636, 644, 652, 653, 654, 655.3,
655.5, 655.9, 690, 706, 731, 625

FIG. 1 is a perspective view of the inflatable pad for attachment to a backboard, showing my new design.

FIG. 2 is a perspective view of the inflatable pad of FIG. 1, showing the pad in use on a stretcher backboard and supporting a person thereon, the phantom lines representing the environment which is not part of the design of the present invention.

[56] **References Cited**

U.S. PATENT DOCUMENTS

Re. 28,916	7/1976	Rice et al.	5/628
D. 258,481	3/1981	Kroll	D6/201
D. 312,992	12/1990	Liebman	D12/128
D. 379,784	6/1997	Muhanna et al.	D12/128
D. 407,670	4/1999	Muhanna	D12/128
D. 407,671	4/1999	Muhanna	D12/133
2,703,416	3/1955	Owen	5/348
4,723,329	2/1988	Vaccaro	5/710

FIG. 3 is a front view thereof.

FIG. 4 is a rear view thereof.

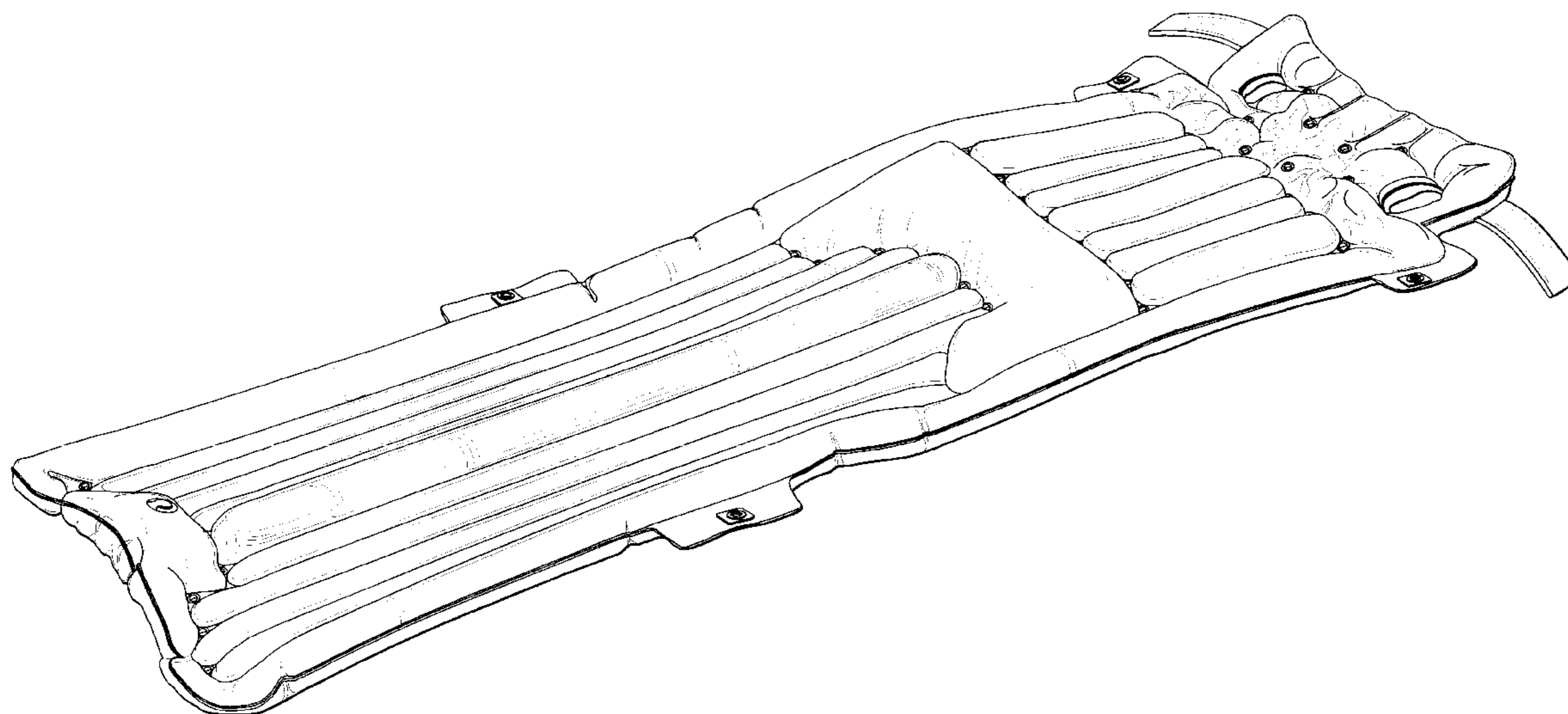
FIG. 5 is a right side view thereof.

FIG. 6 is a left side view thereof.

FIG. 7 is a top view thereof; and,

FIG. 8 is a bottom view thereof.

1 Claim, 4 Drawing Sheets



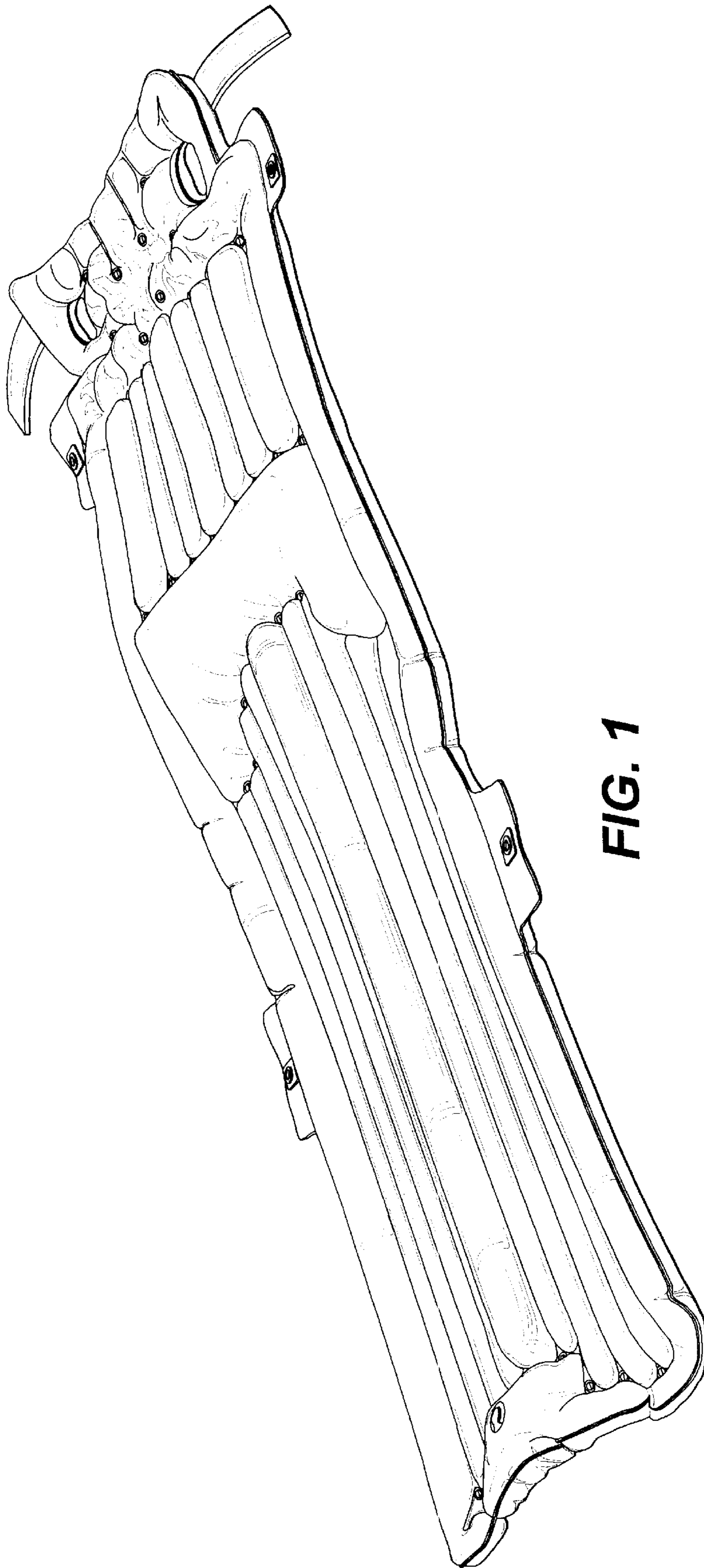


FIG. 1

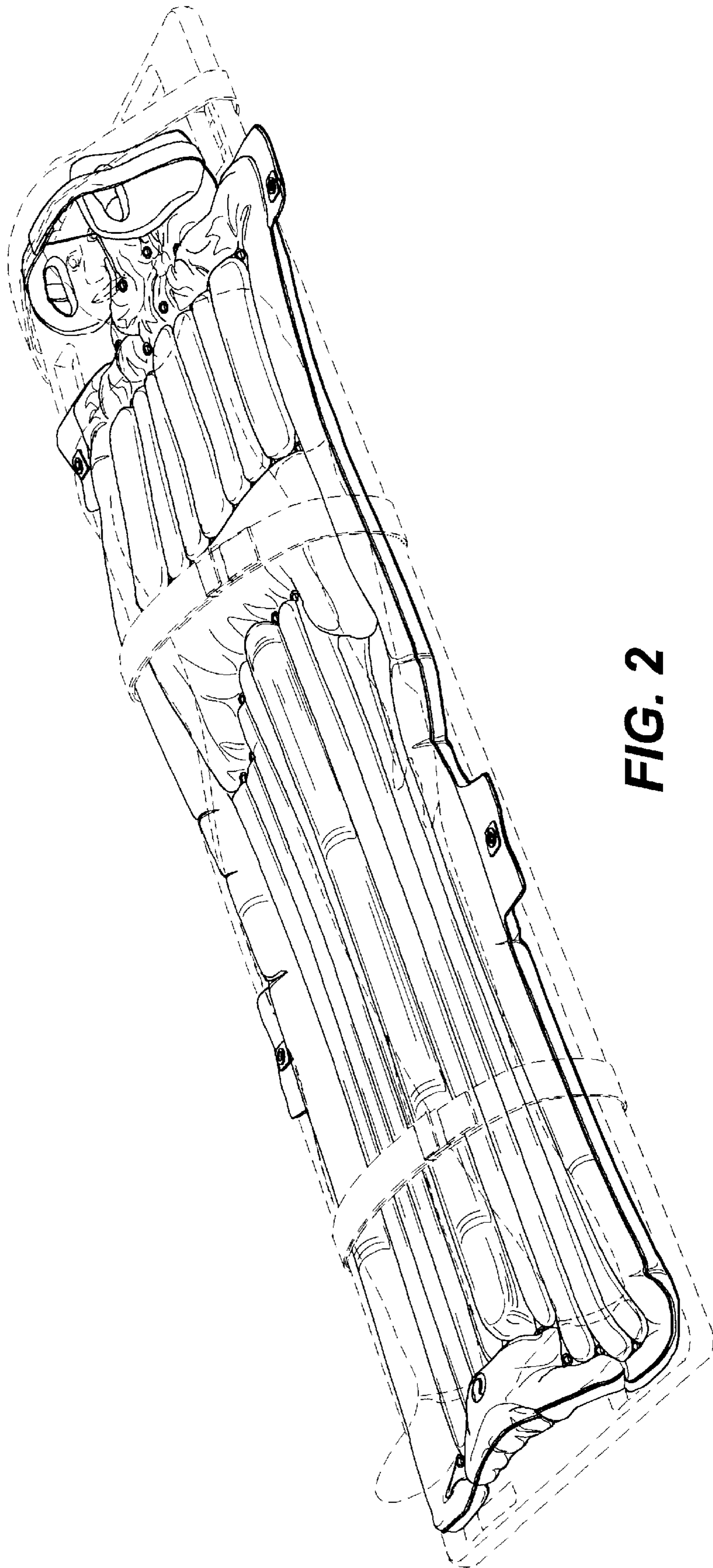


FIG. 2

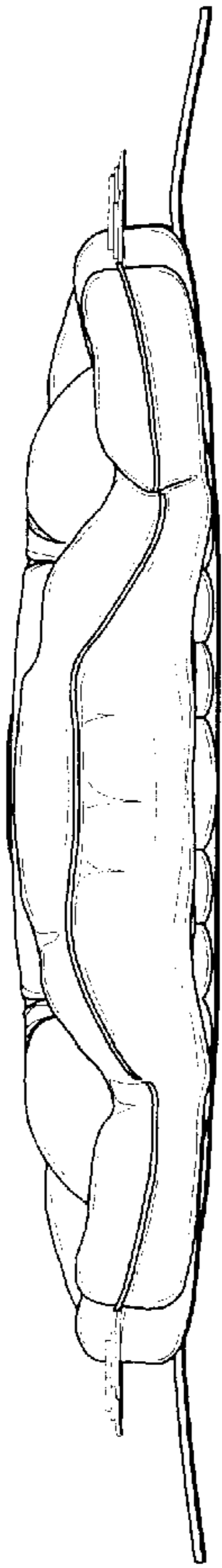


FIG. 3



FIG. 4

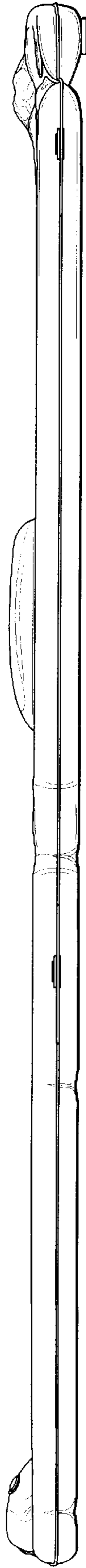


FIG. 5

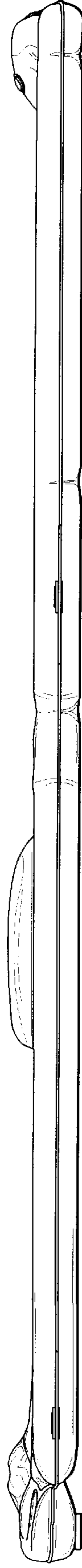


FIG. 6

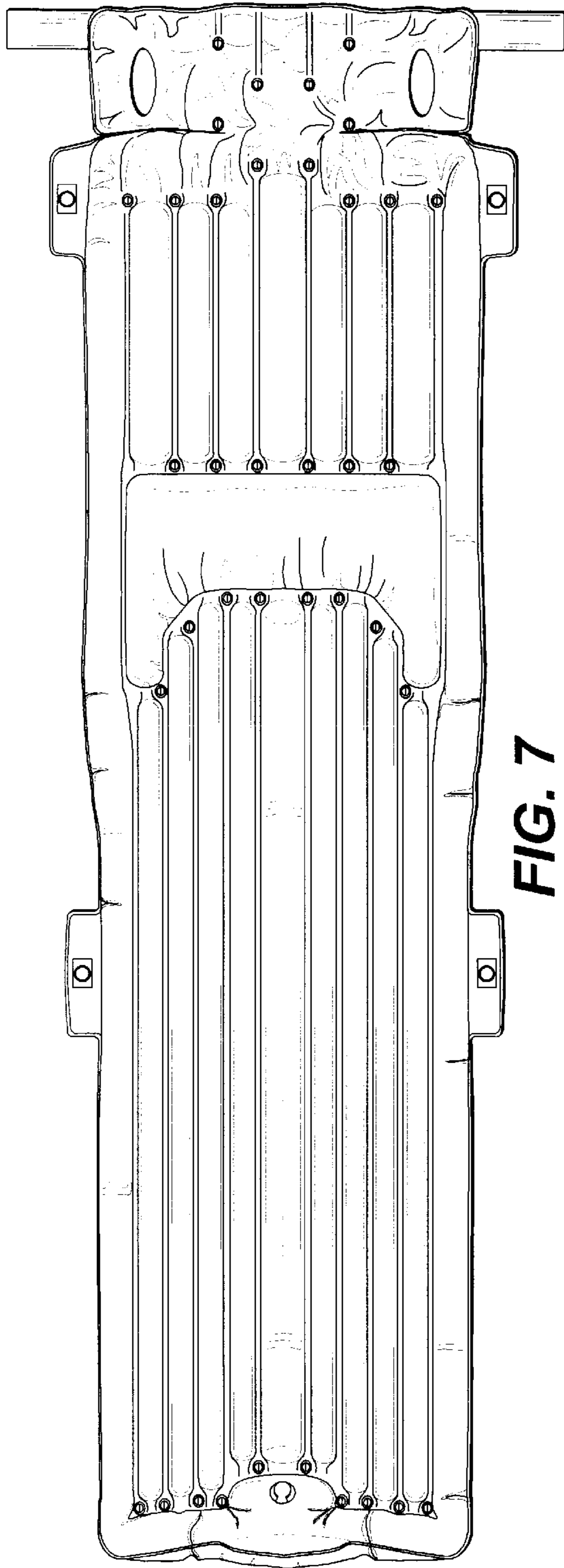


FIG. 7

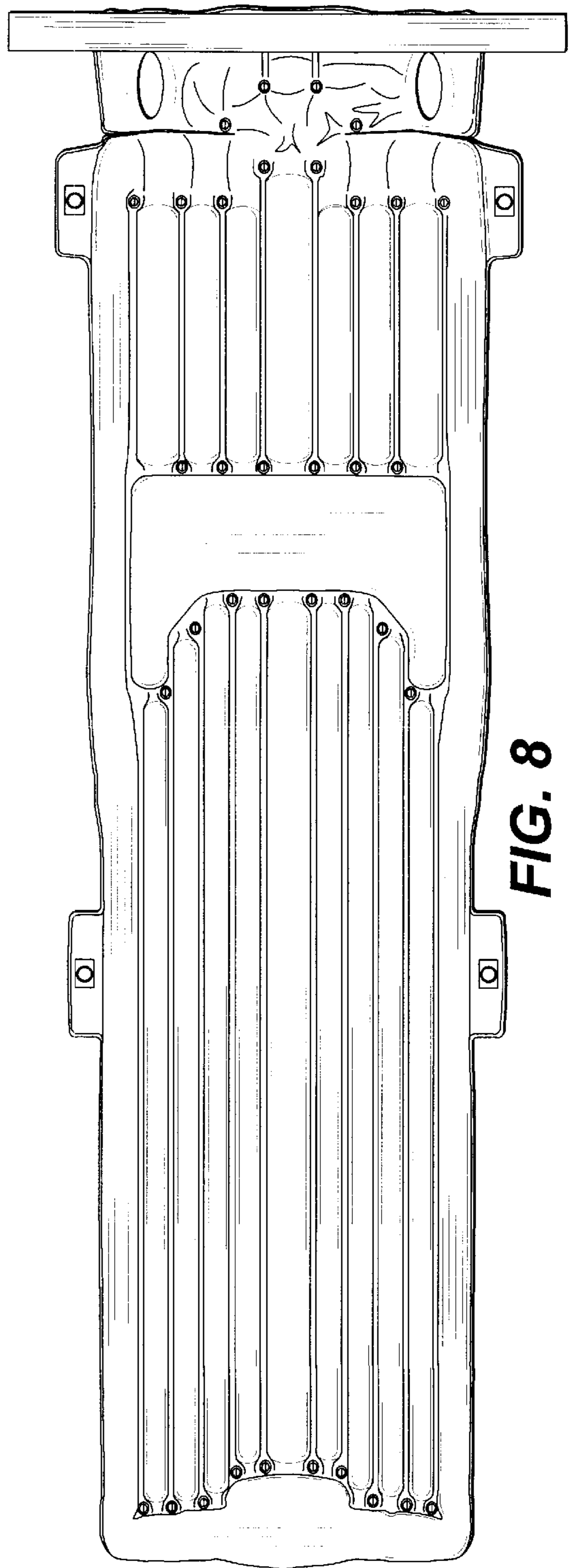


FIG. 8