



US00D419494S

United States Patent [19] Helms

[11] **Patent Number: Des. 419,494**

[45] **Date of Patent: ** Jan. 25, 2000**

[54] **SEATED ROLLABLE WALKING AID**

Primary Examiner—Kay H. Chin

[76] Inventor: **Junior C Helms**, 16191 Blue Star Hwy., South Haven, Mich. 49090

[57] **CLAIM**

[**] Term: **14 Years**

The ornamental design for a seated rollable walking aid, as shown.

[21] Appl. No.: **29/102,431**

DESCRIPTION

[22] Filed: **Mar. 25, 1999**

FIG. 1 is a front elevational view of the seated rollable walking aid of the present invention;

[51] **LOC (7) Cl.** **12-12**

FIG. 2 is a back elevational view of the seated rollable walking aid of FIG. 1;

[52] **U.S. Cl.** **D12/130**

[58] **Field of Search** D12/128-133;
135/67, 66; 297/5, 6; 280/87.021, 250.1,
87.051; 482/68

FIG. 3 is a left side elevational view of the seated rollable walking aid of FIG. 1;

FIG. 4 is a right side elevational view of the seated rollable walking aid of FIG. 1;

[56] **References Cited**

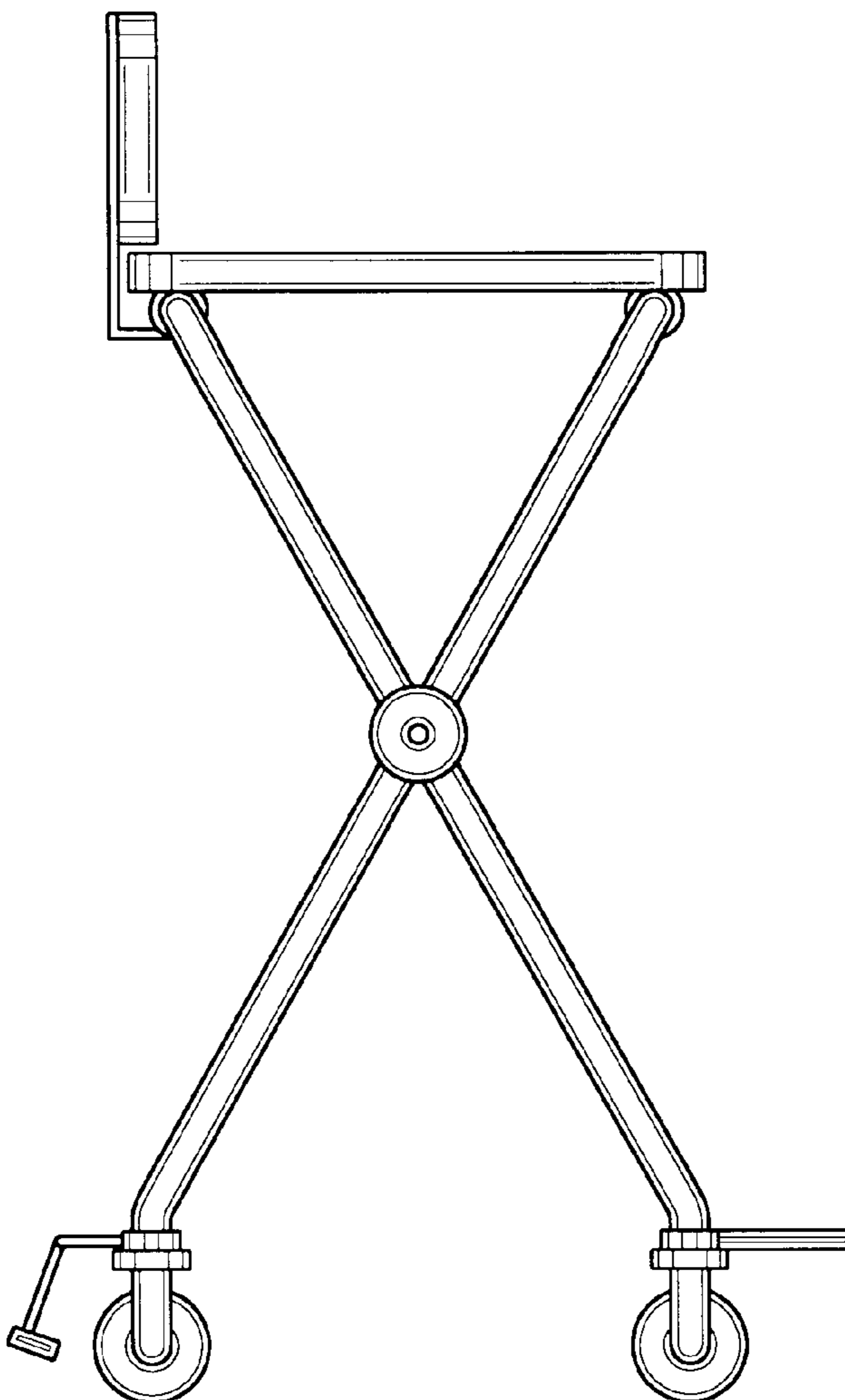
U.S. PATENT DOCUMENTS

D. 400,829	11/1998	Tomlinson	D12/130
2,374,182	4/1945	Duke	297/6
4,045,044	8/1977	Bierer	280/87.021
4,643,211	2/1987	Morris et al.	135/67

FIG. 5 is a top plan view of the seated rollable walking aid of FIG. 1; and,

FIG. 6 is a bottom plan view of the seated rollable walking aid of FIG. 1.

1 Claim, 3 Drawing Sheets



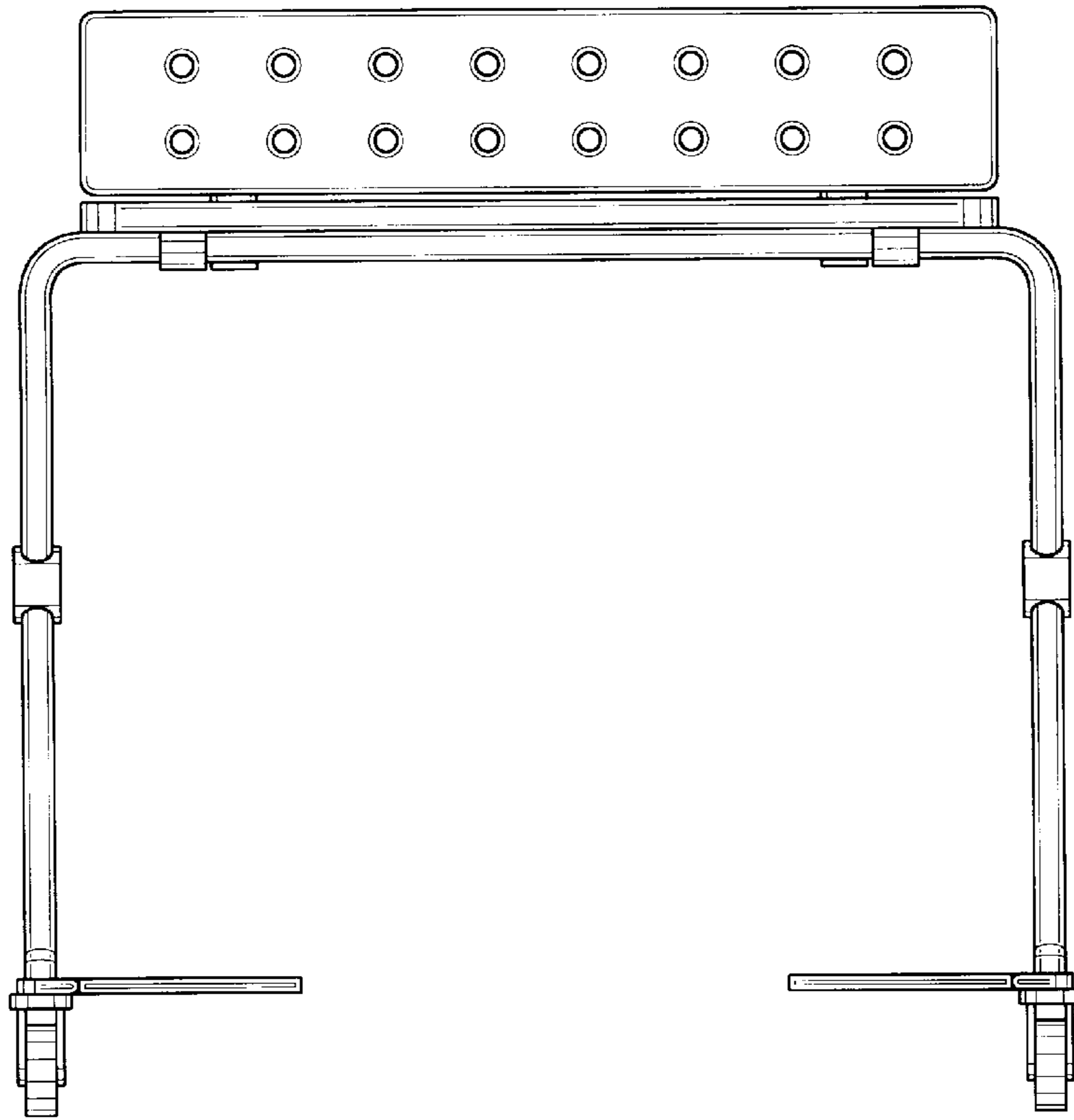


Fig. 1

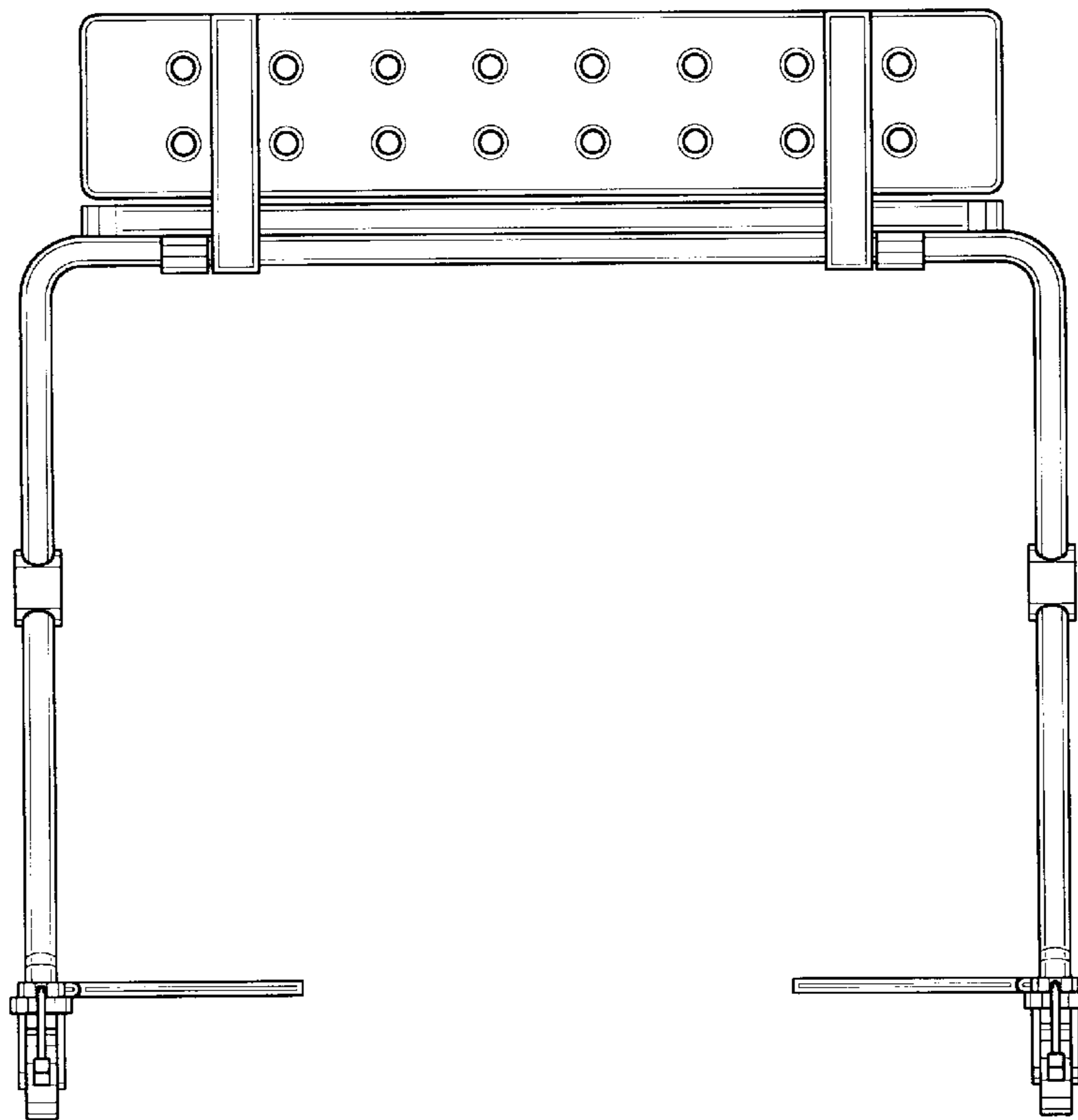


Fig. 2

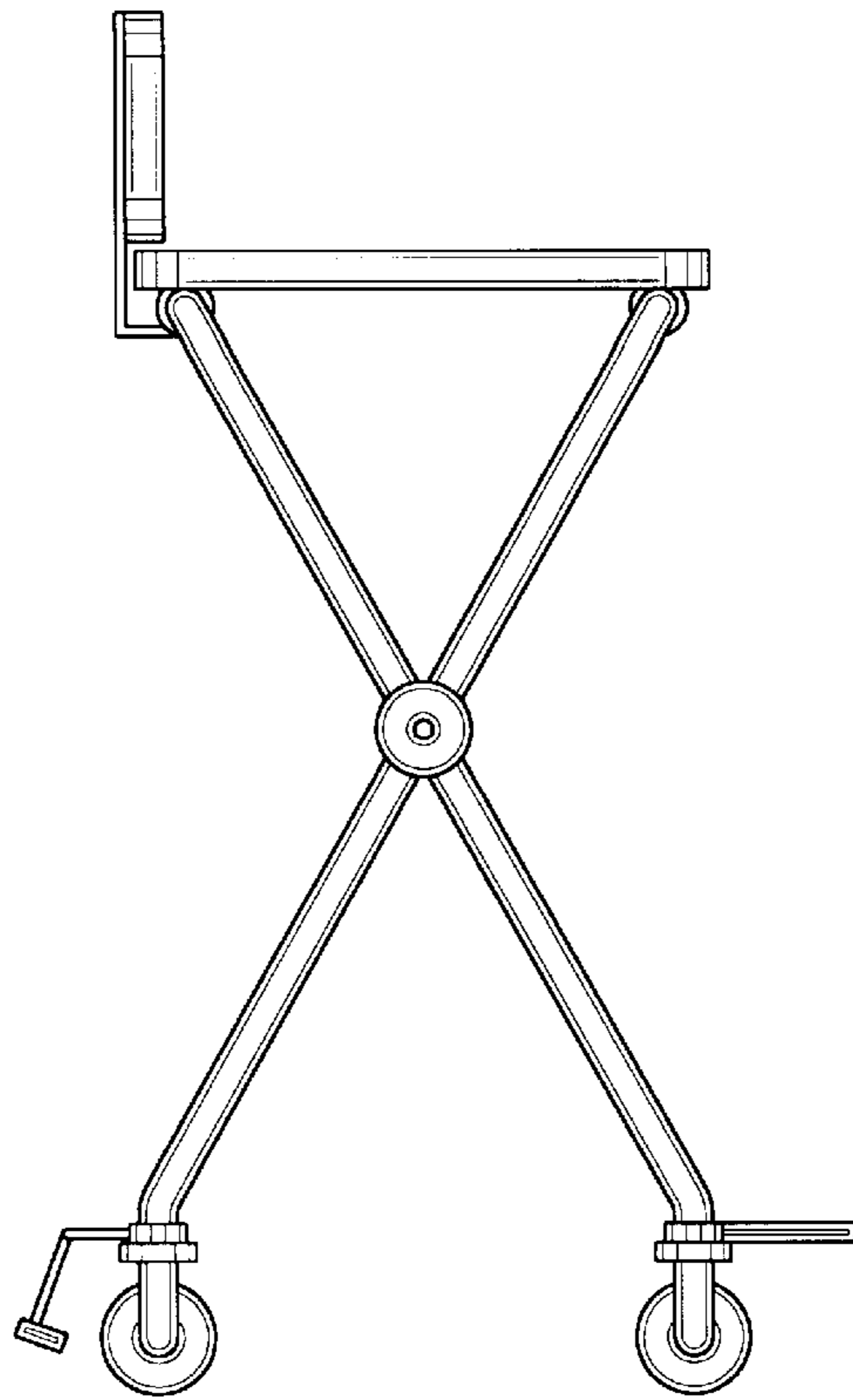


Fig. 3

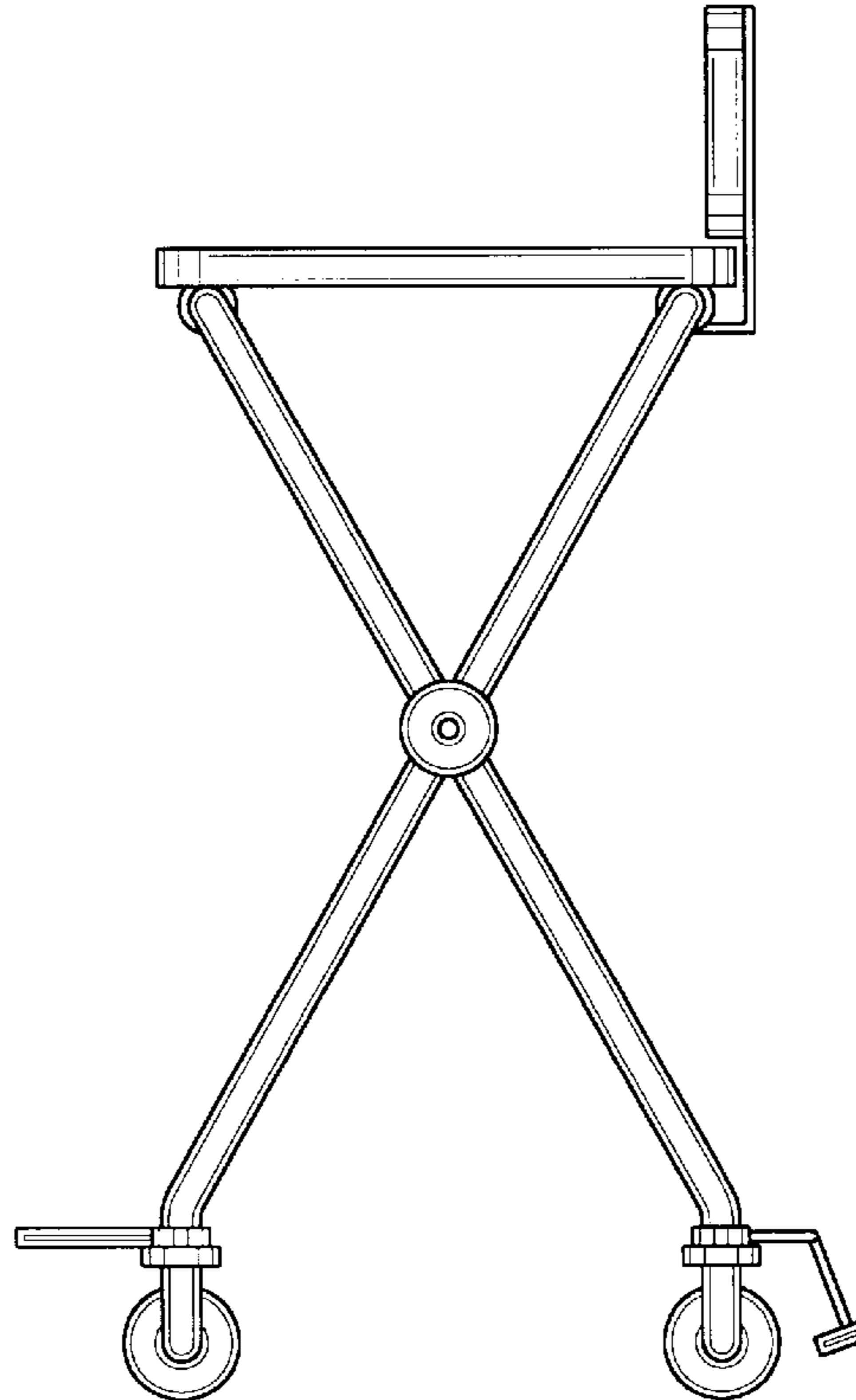


Fig. 4

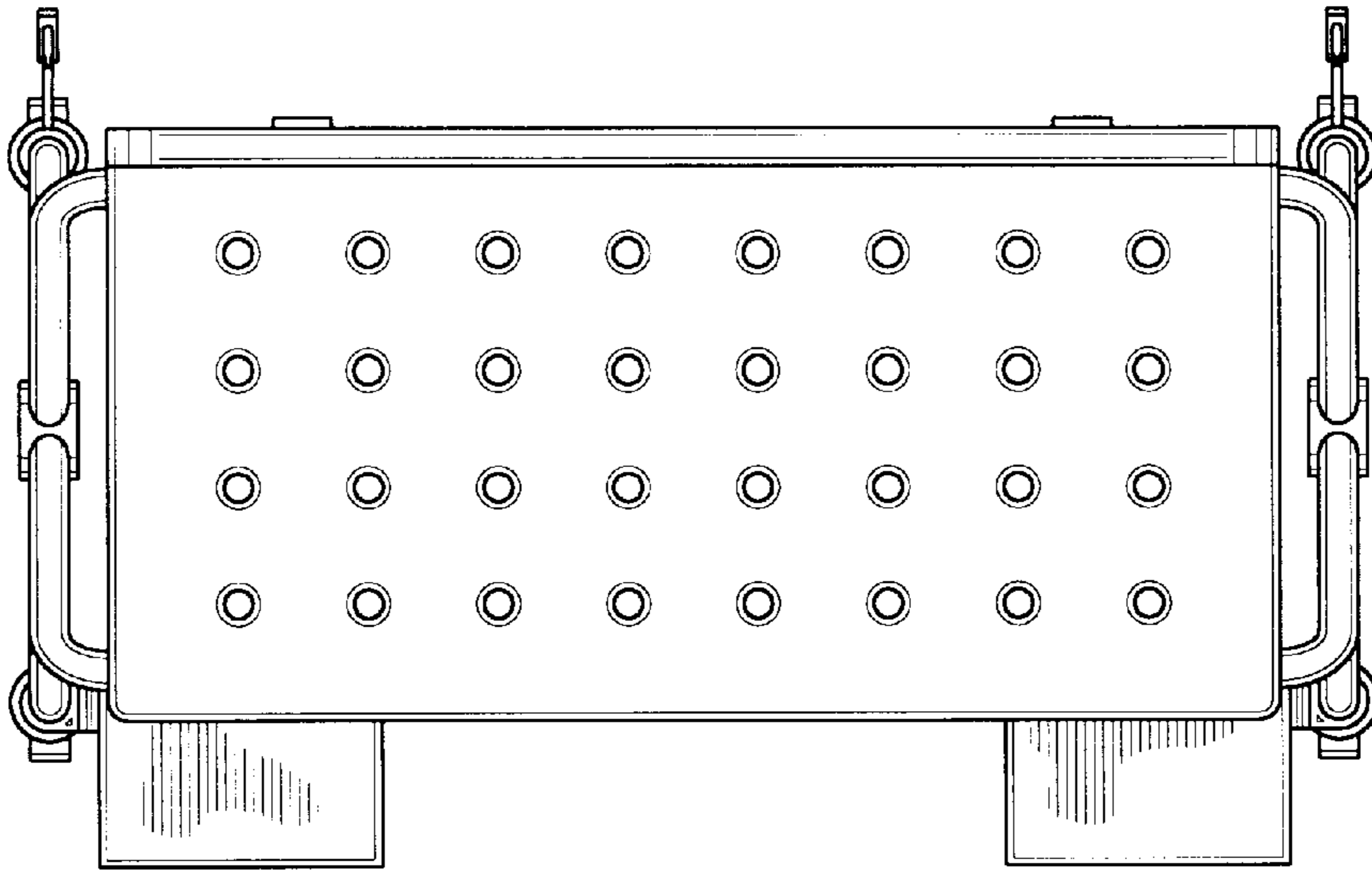


Fig. 5

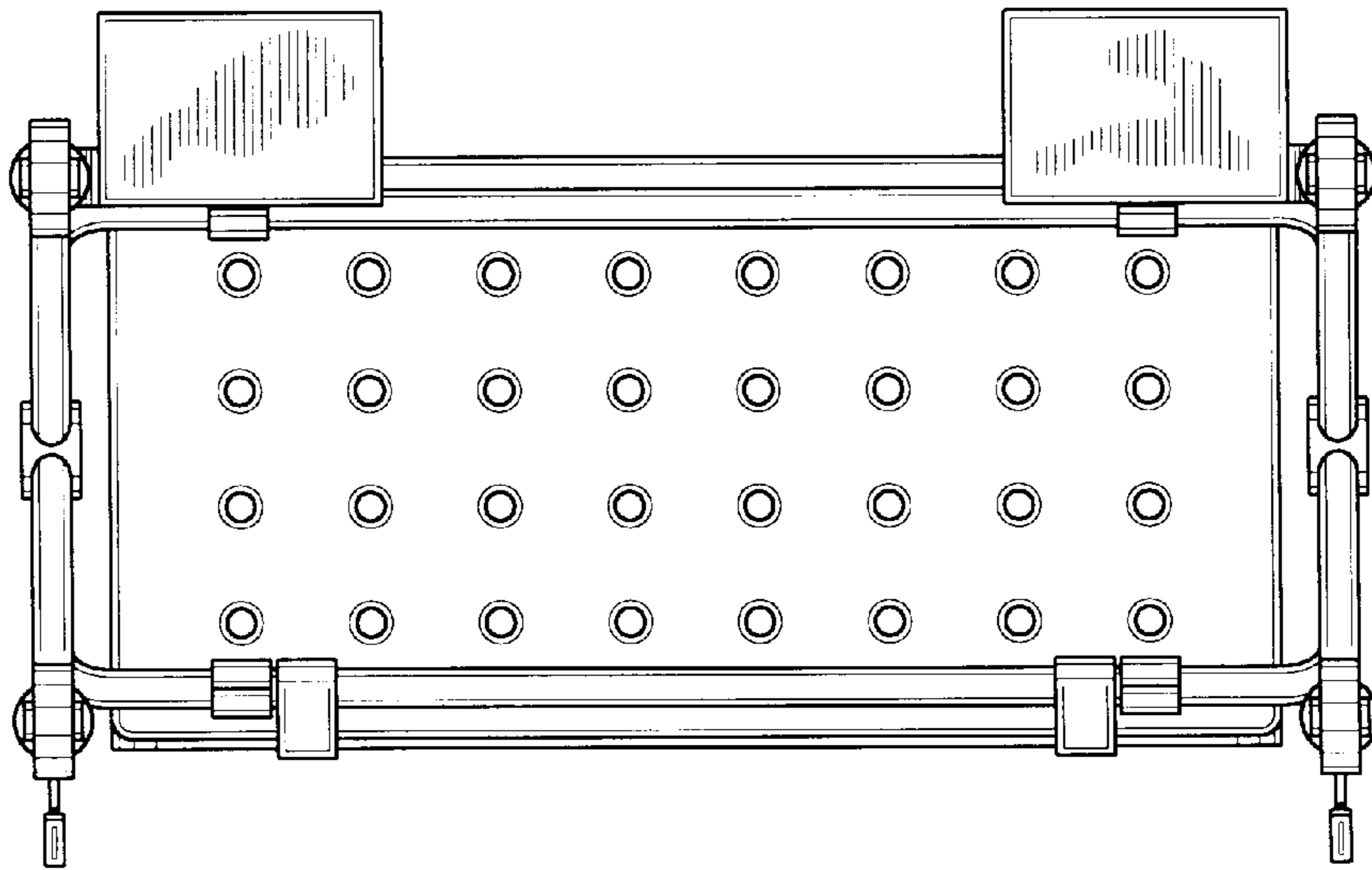


Fig. 6