



US00D419493S

# United States Patent [19]

Flannery et al.

[11] Patent Number: **Des. 419,493**

[45] Date of Patent: **\*\* Jan. 25, 2000**

[54] **BABY STROLLER**

[75] Inventors: **Mark A. Flannery**, Shorewood;  
**Timothy L. Edwards**, Minneapolis,  
both of Minn.; **Danial E. Julian**,  
Indianapolis, Ind.

[73] Assignee: **Regalo International, LLC**,  
Minneapolis, Minn.

[\*\*] Term: **14 Years**

[21] Appl. No.: **29/094,005**

[22] Filed: **Sep. 23, 1998**

[51] **LOC (7) Cl.** ..... **12-12**

[52] **U.S. Cl.** ..... **D12/129**

[58] **Field of Search** ..... D12/128-133;  
280/642, 644, 647, 650, 658, 47.4

[56] **References Cited**

**U.S. PATENT DOCUMENTS**

D. 356,528 3/1995 Liu ..... D12/129

D. 402,234 12/1998 Julien et al. .... D12/129  
5,427,402 6/1995 Huang ..... 280/642  
5,725,238 3/1998 Huang ..... 280/642

*Primary Examiner*—Kay H. Chin

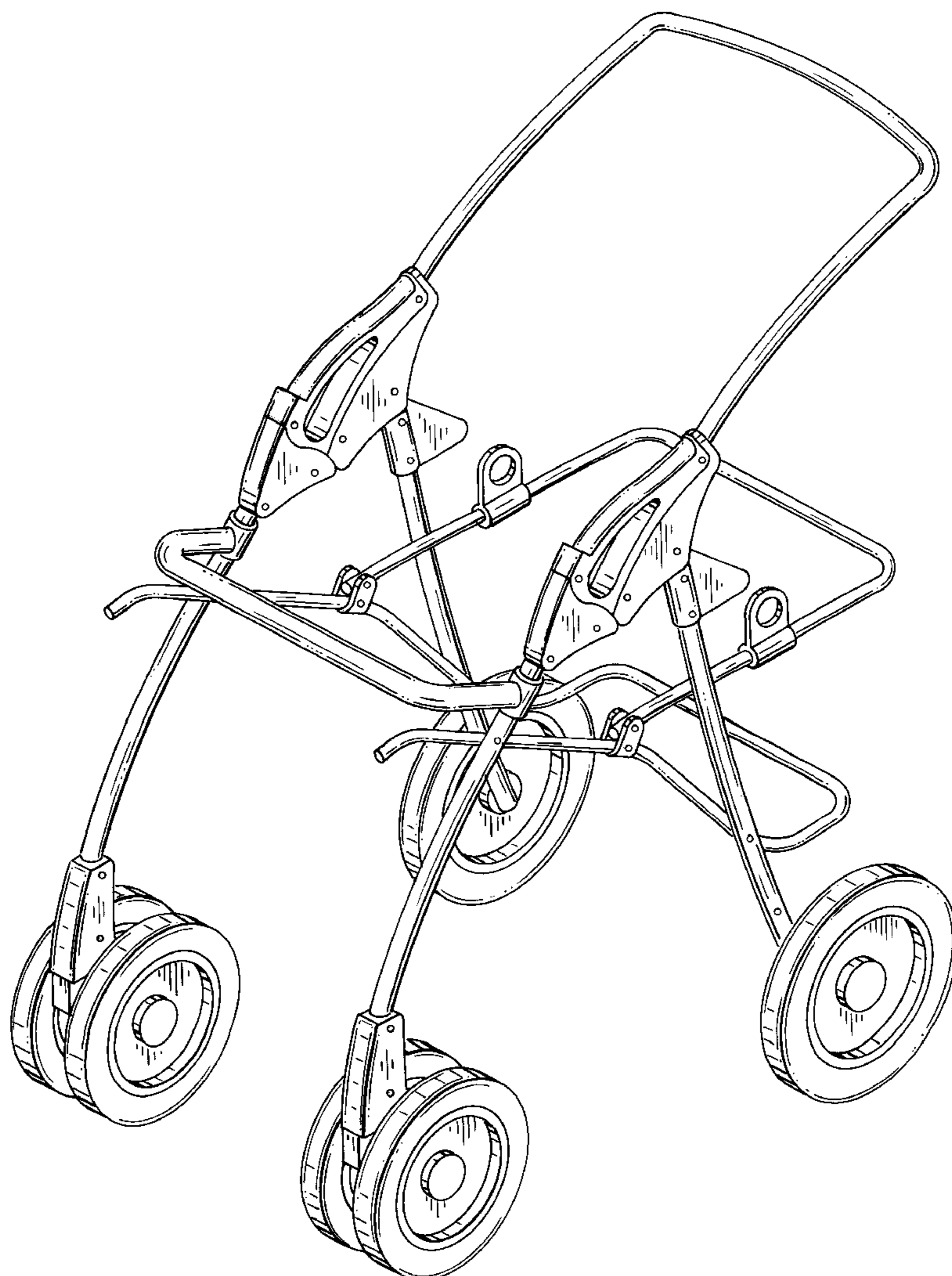
[57] **CLAIM**

We claim the ornamental design for a baby stroller, as shown and described.

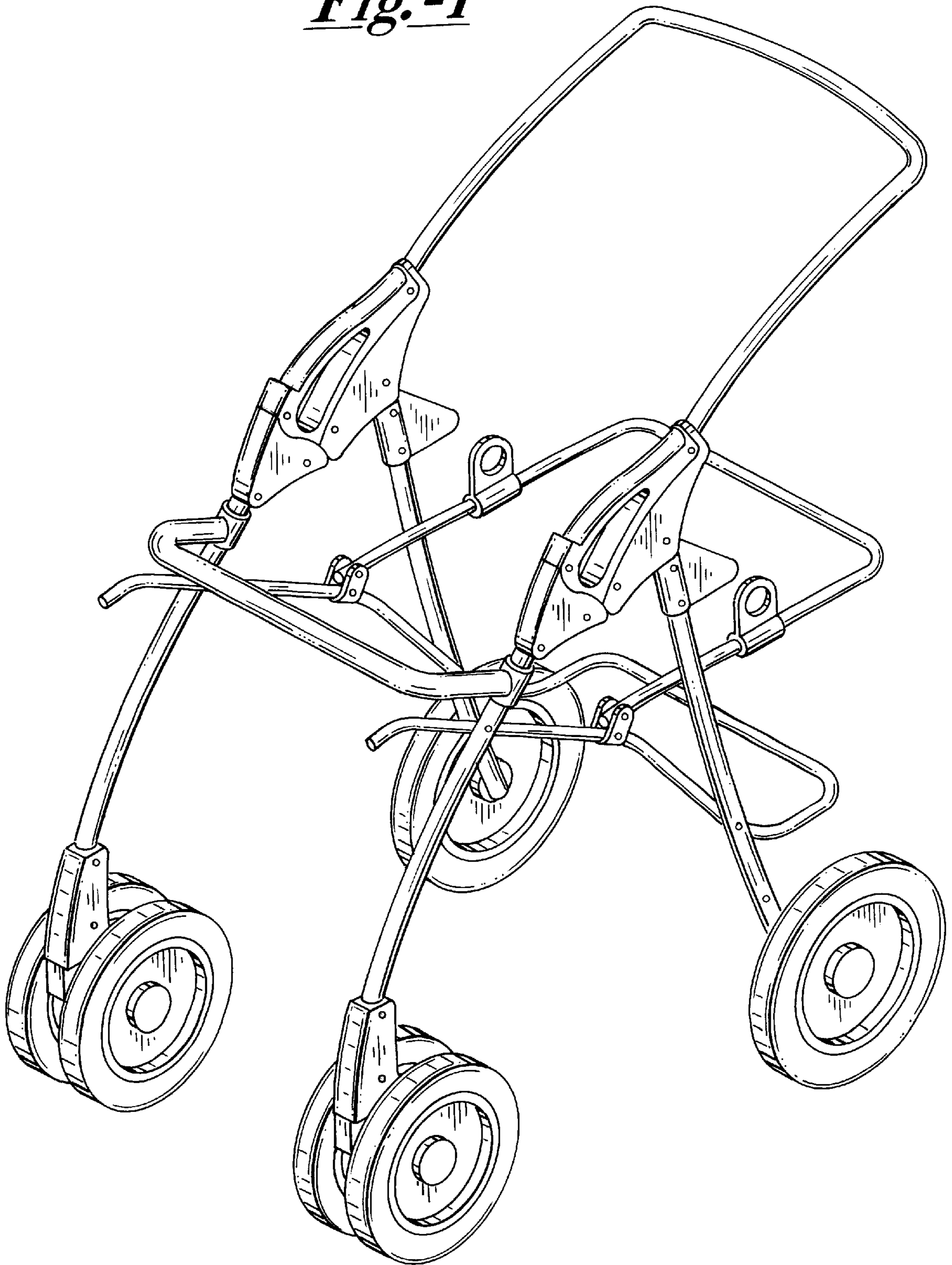
**DESCRIPTION**

FIG. 1 is a perspective view of the baby stroller of the present invention.  
FIG. 2 is a right side view of the baby stroller of FIG. 1, the left side view being a mirror image of that shown.  
FIG. 3 is a front view thereof;  
FIG. 4 is a rear view thereof;  
FIG. 5 is a top view thereof; and,  
FIG. 6 is a bottom view thereof.

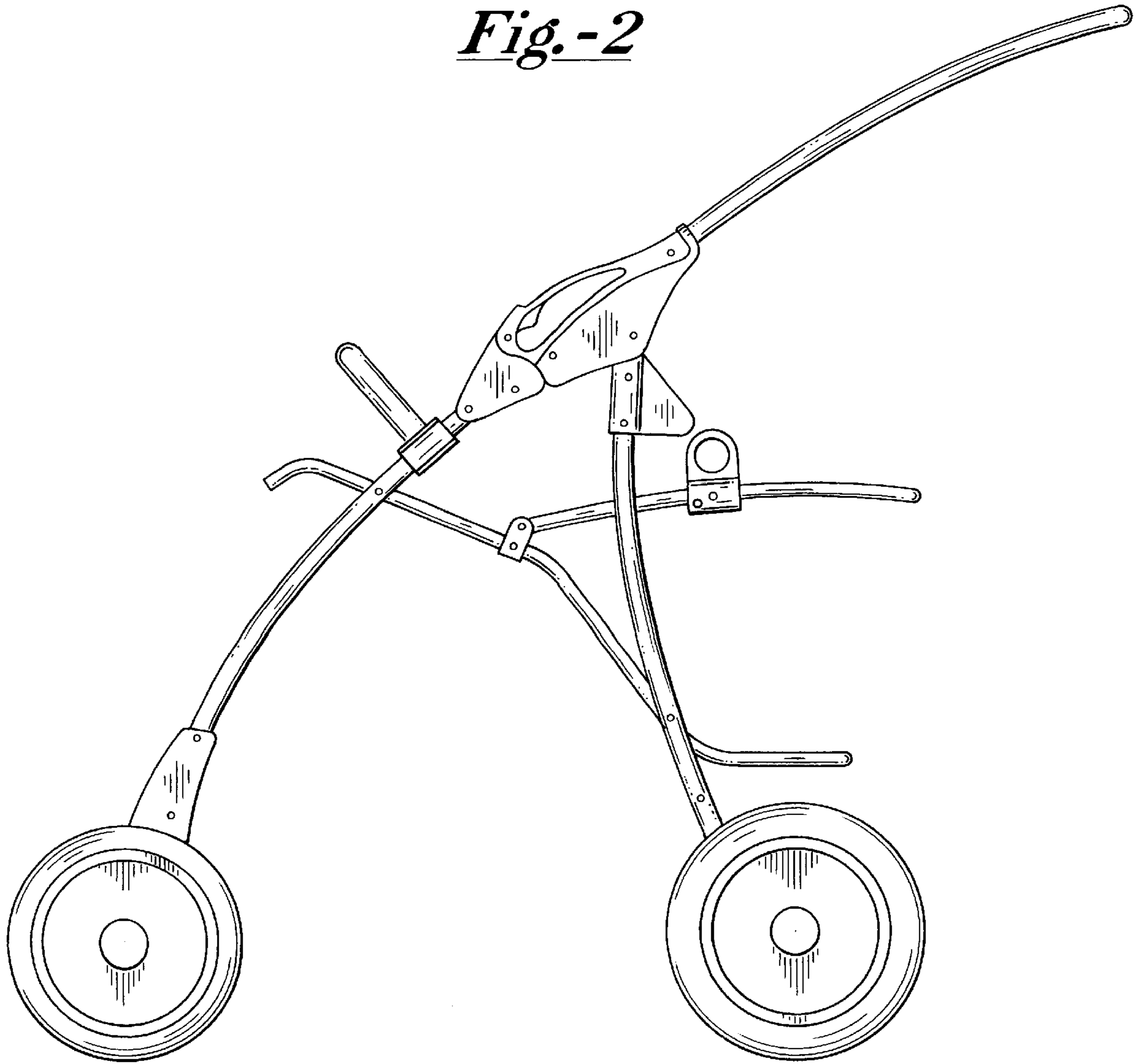
**1 Claim, 4 Drawing Sheets**



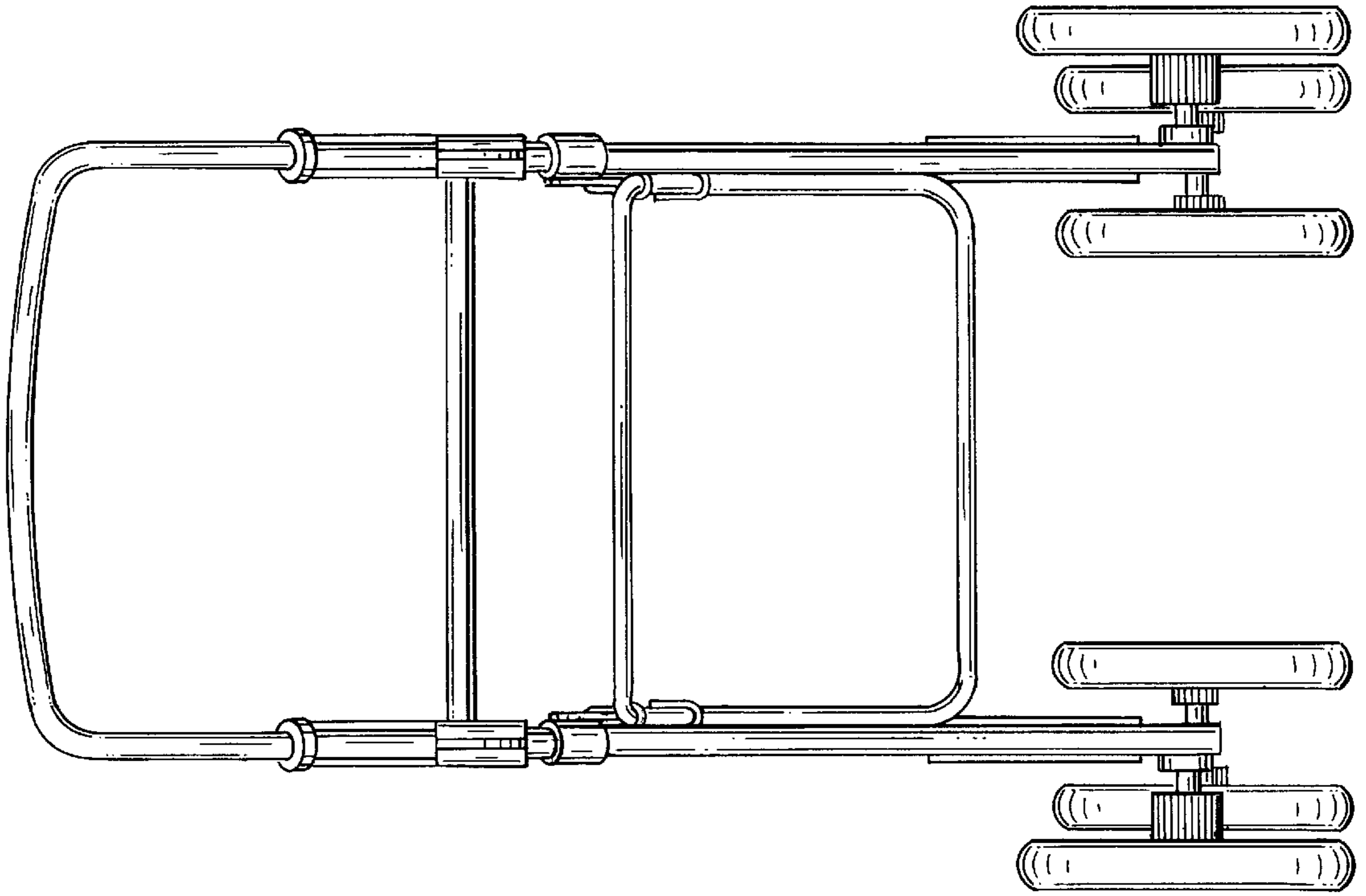
*Fig.-1*



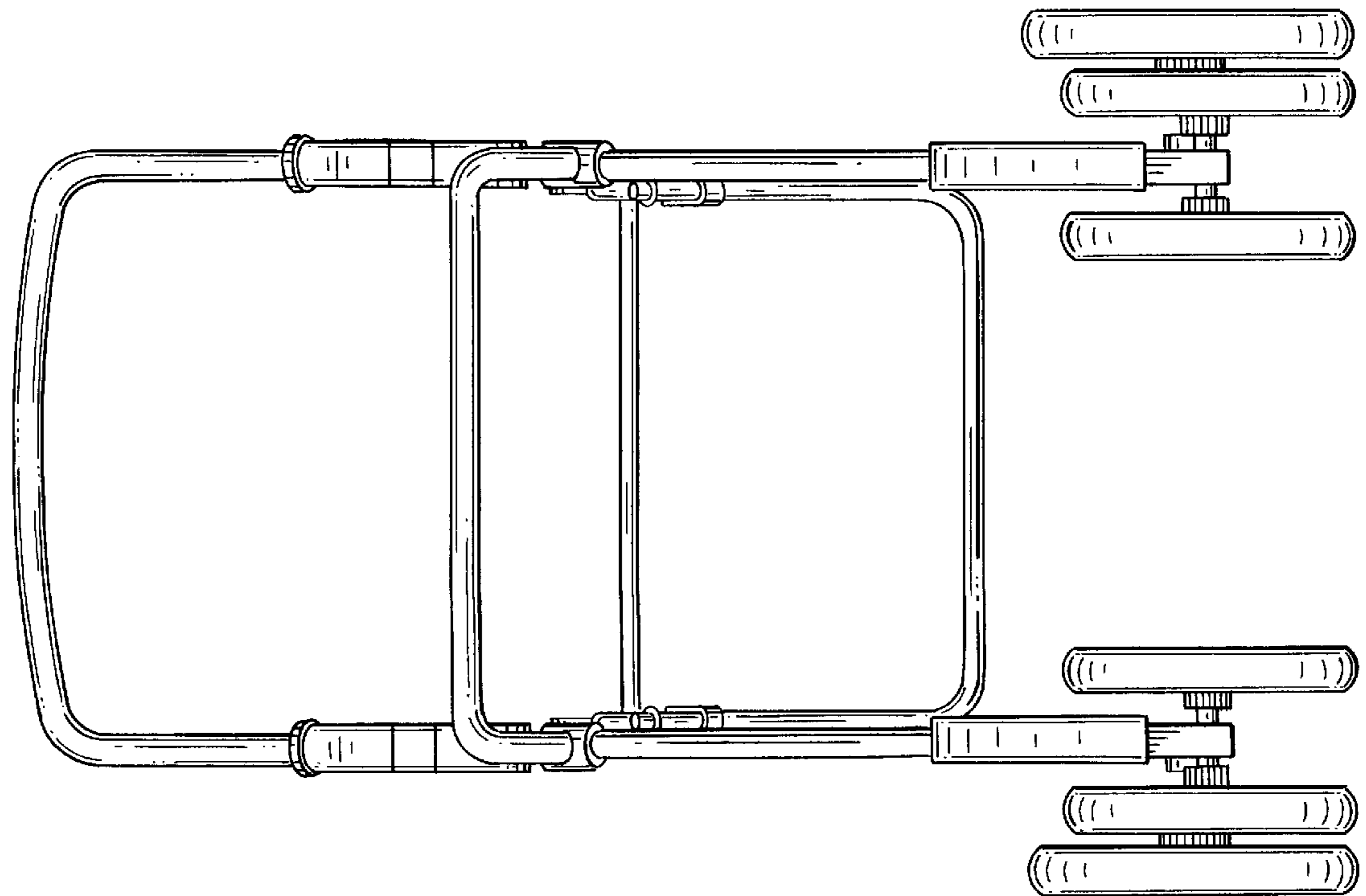
*Fig.-2*

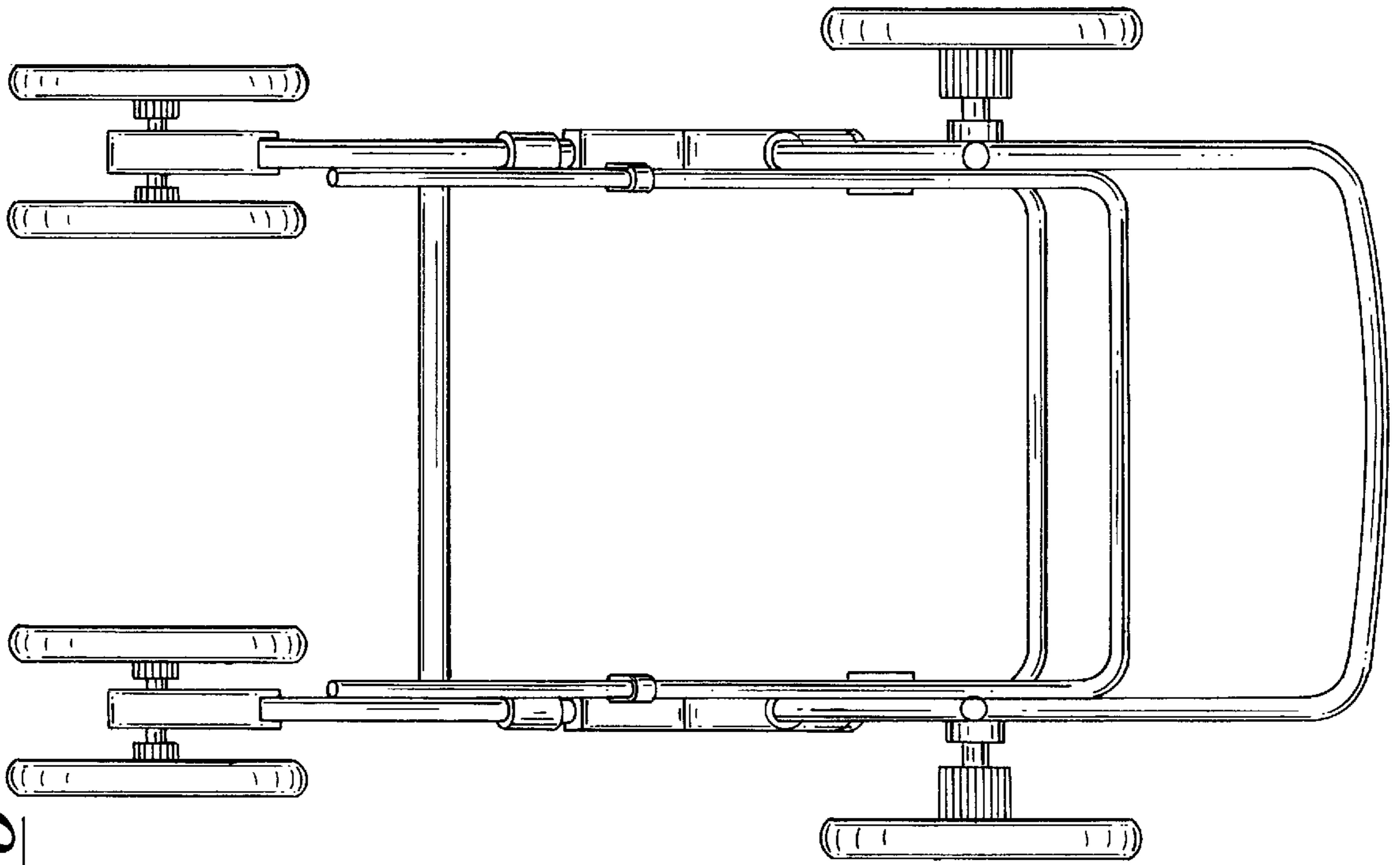


*Fig.-4*

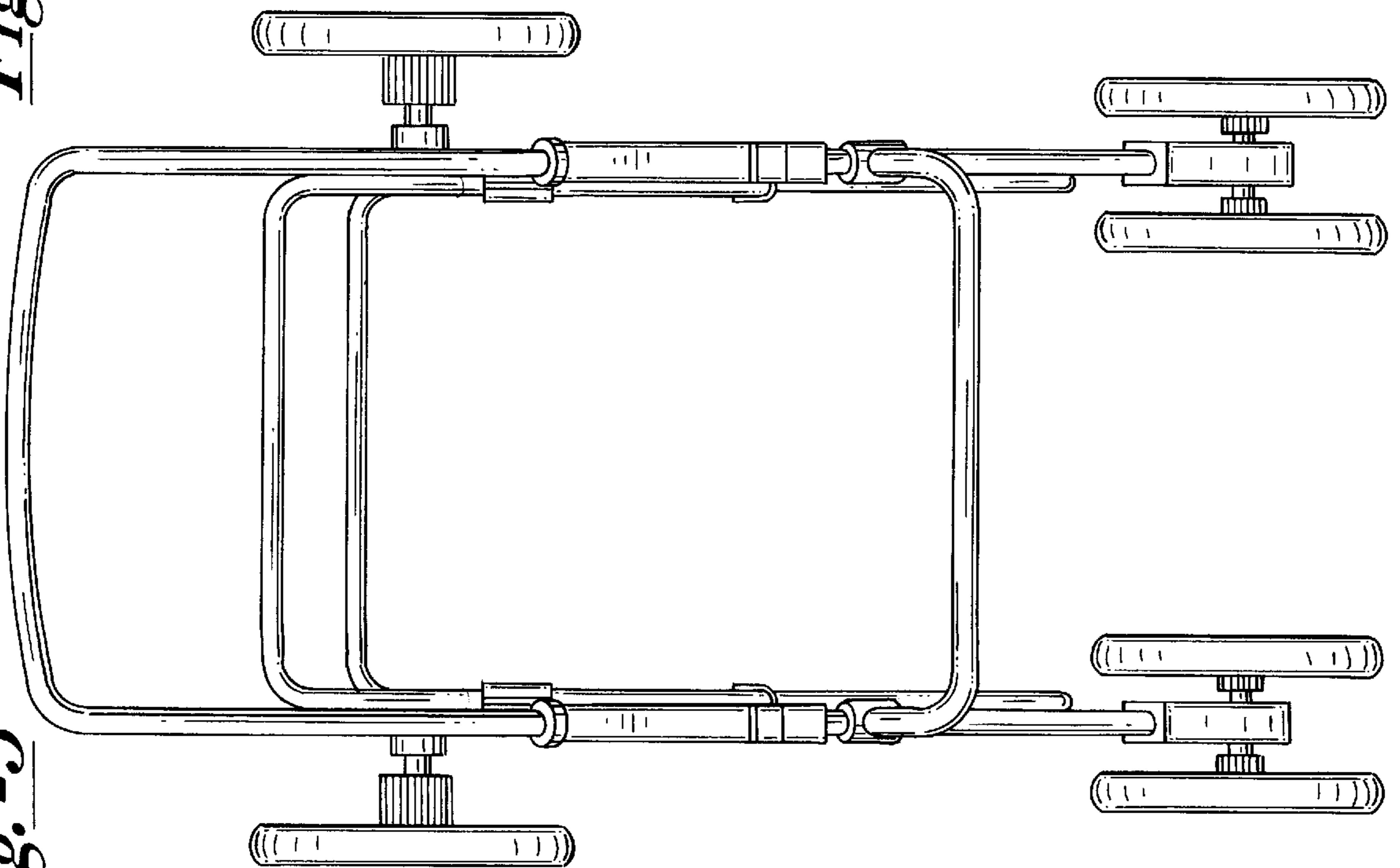


*Fig.-3*





*Fig.-6*



*Fig.-5*