



US00D419492S

# United States Patent [19]

Egger et al.

[11] Patent Number: **Des. 419,492**

[45] Date of Patent: **\*\* Jan. 25, 2000**

[54] **BICYCLE FRAME**

5,791,674 8/1998 D'Aluvsio et al. .... 280/281.1

[75] Inventors: **F. Robert Egger**, Watsonville; **Allan Nelick**, Morgan Hill, both of Calif.

*Primary Examiner*—Pamela Burgess  
*Attorney, Agent, or Firm*—Blakely, Sokoloff, Taylor & Zafman LLP

[73] Assignee: **Specialized Bicycle Components, Inc.**, Morgan Hill, Calif.

### [57] CLAIM

[\*\*] Term: **14 Years**

The ornamental design for a bicycle frame, as shown and described.

[21] Appl. No.: **29/102,473**

### DESCRIPTION

[22] Filed: **Mar. 24, 1999**

FIG. 1 is a perspective view of a bicycle frame showing our new design;

[51] **LOC (7) Cl.** ..... **12-11**

FIG. 2 is a right side elevational view thereof, the undisclosed left side being a mirror image;

[52] **U.S. Cl.** ..... **D12/111**

FIG. 3 is a right side elevational view thereof, the broken lines shown are for illustrative purposes only and form no part of the claimed design;

[58] **Field of Search** ..... D12/111; 280/281.1–288.3

FIG. 4 is a rear elevational view thereof;

### [56] References Cited

#### U.S. PATENT DOCUMENTS

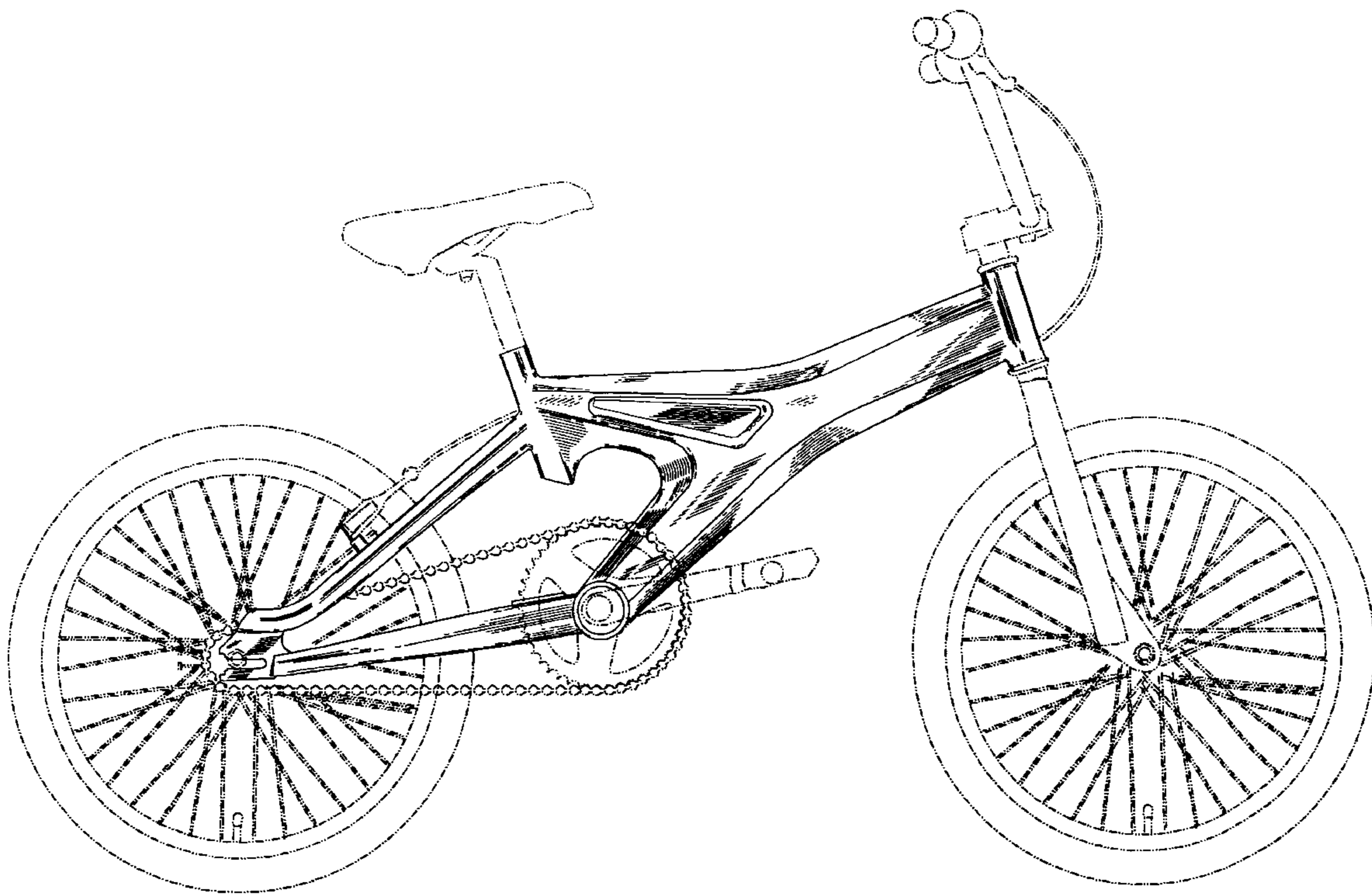
D. 389,787	1/1998	Zeigle et al. ....	D12/111
D. 396,434	7/1998	Tseng .....	D12/111
D. 398,266	9/1998	Colegrove et al. ....	D12/111
5,368,804	11/1994	Hwang et al. ....	280/281.1
5,685,553	11/1997	Wilcox et al. ....	280/281.1

FIG. 5 is a front elevational view thereof;

FIG. 6 is a top plan view thereof; and,

FIG. 7 is a bottom plan view thereof.

**1 Claim, 6 Drawing Sheets**



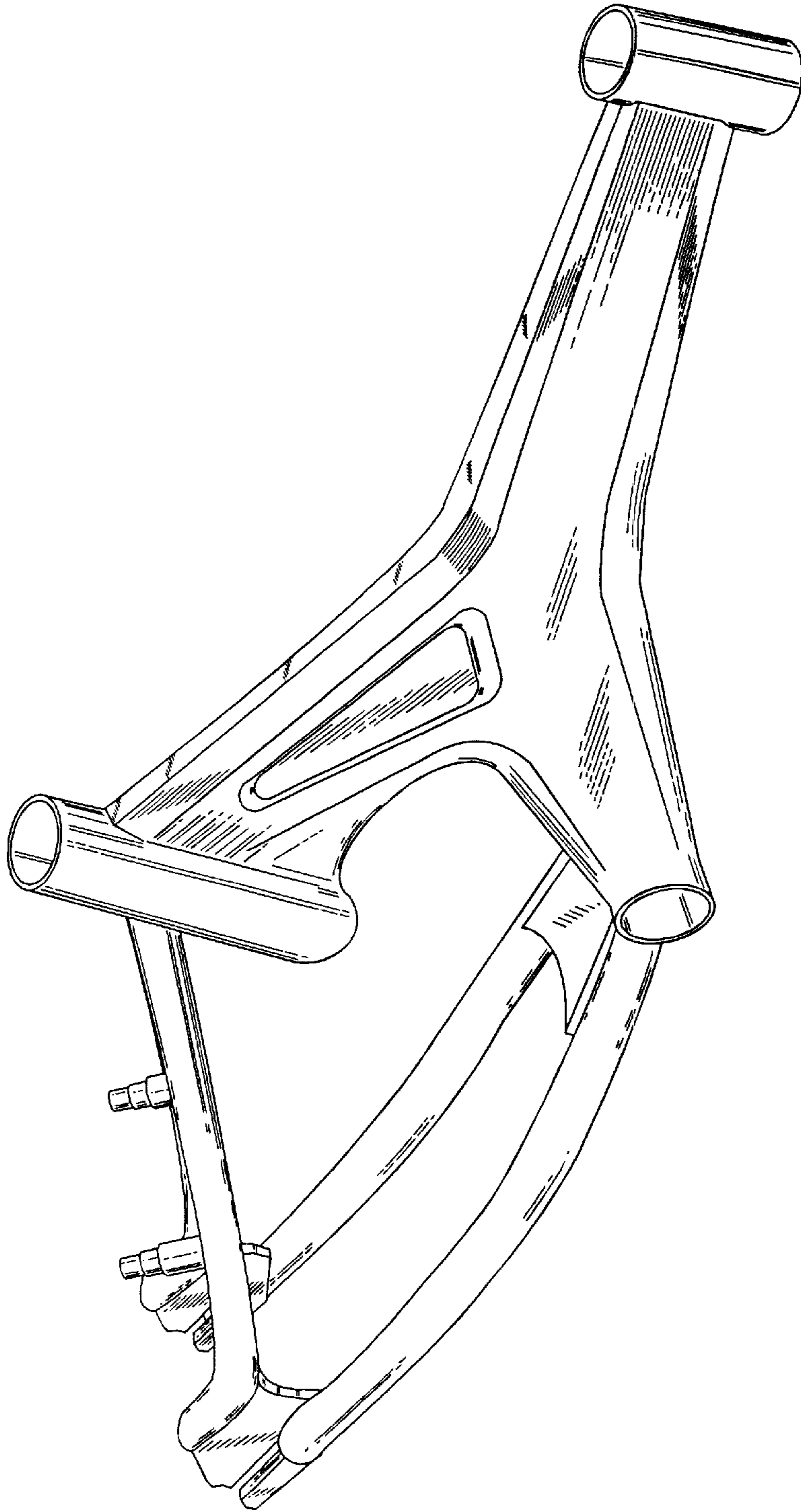


Fig. 1

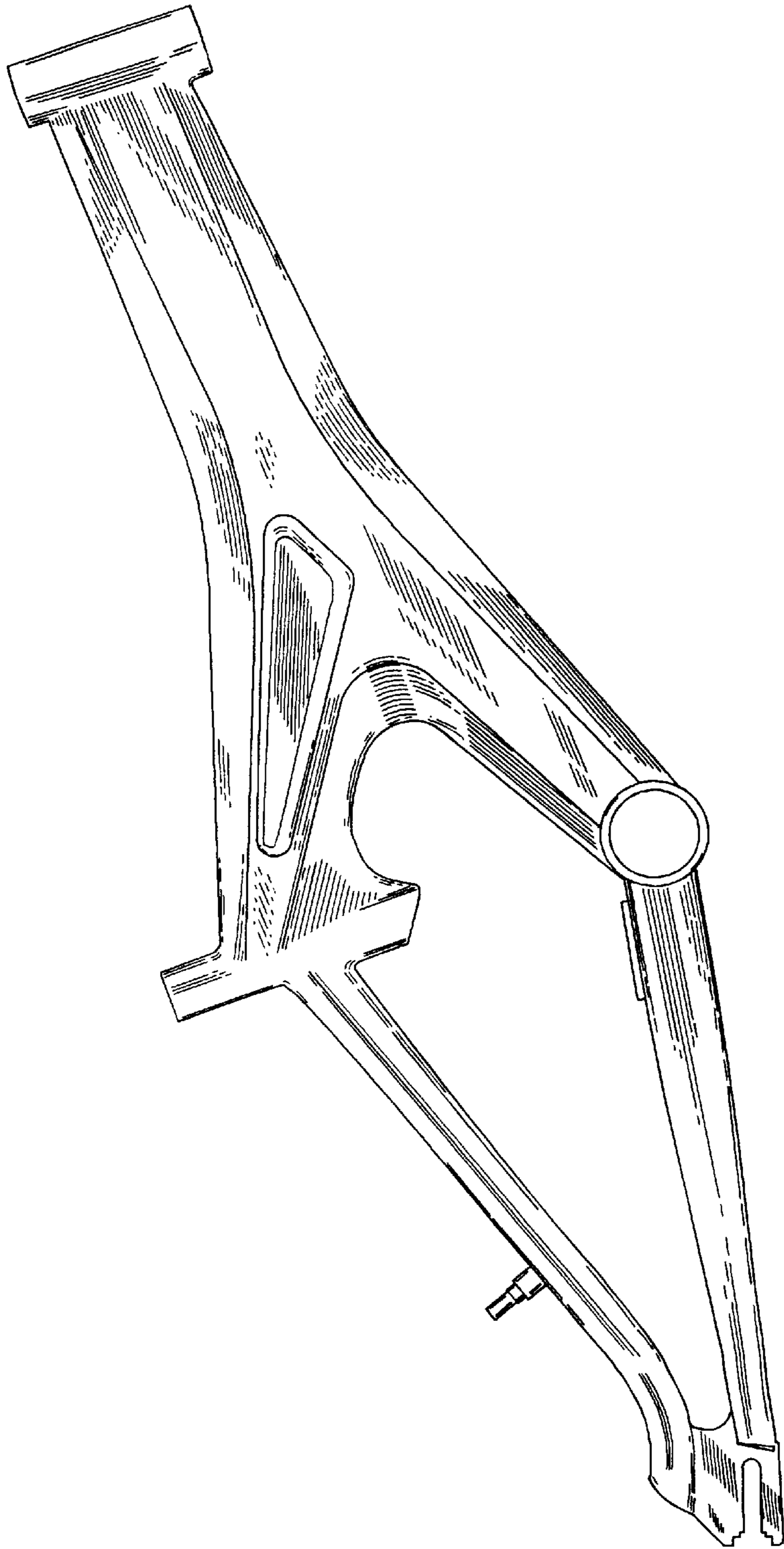


Fig. 2

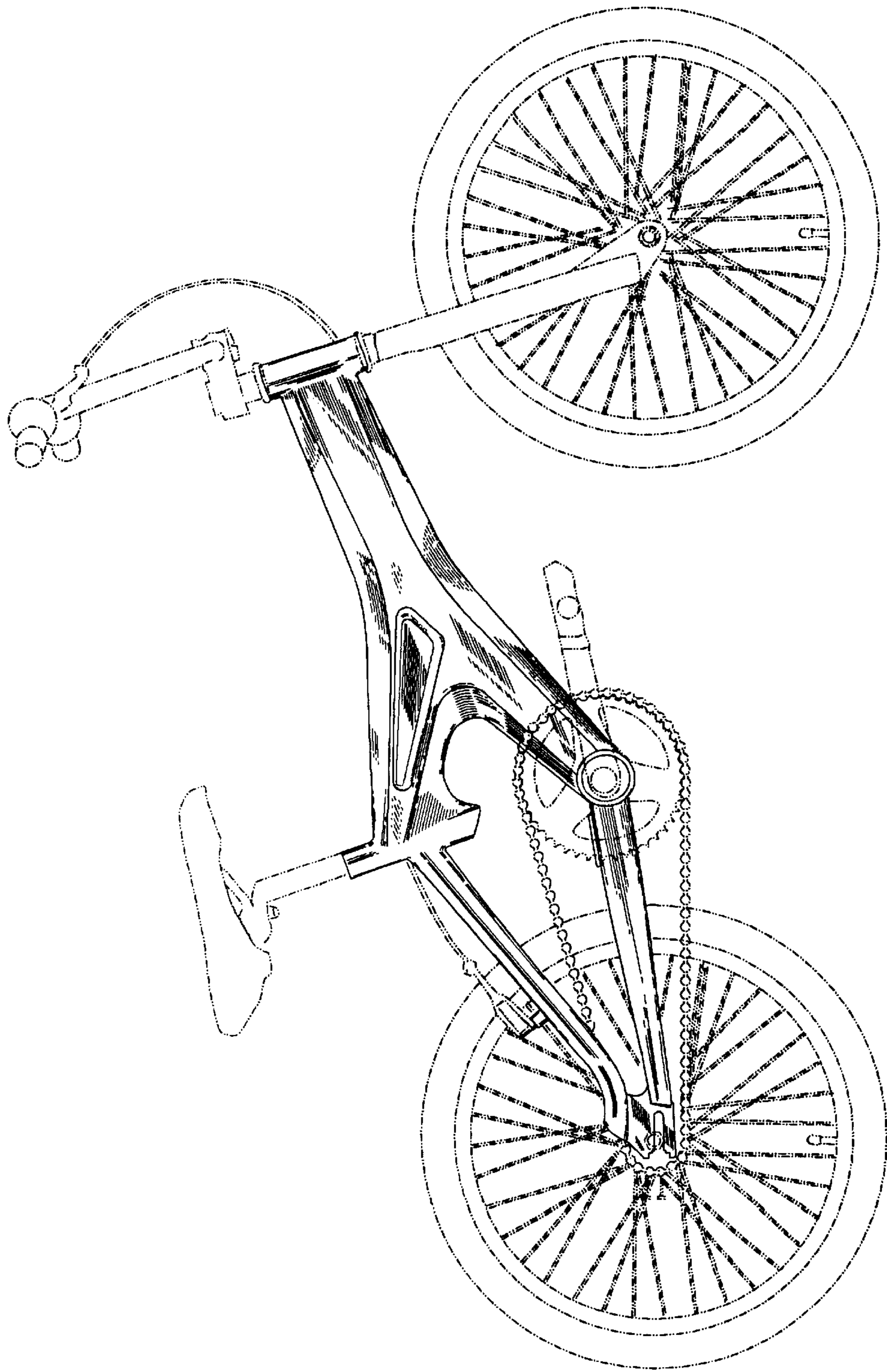


Fig. 3

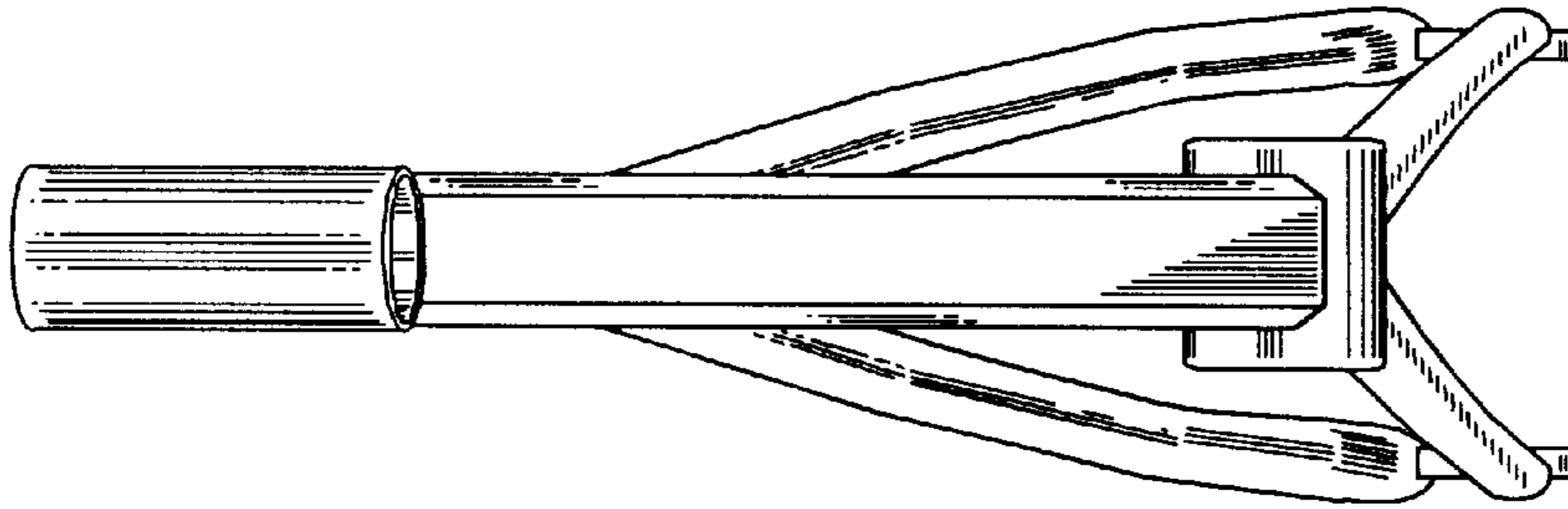


Fig. 5

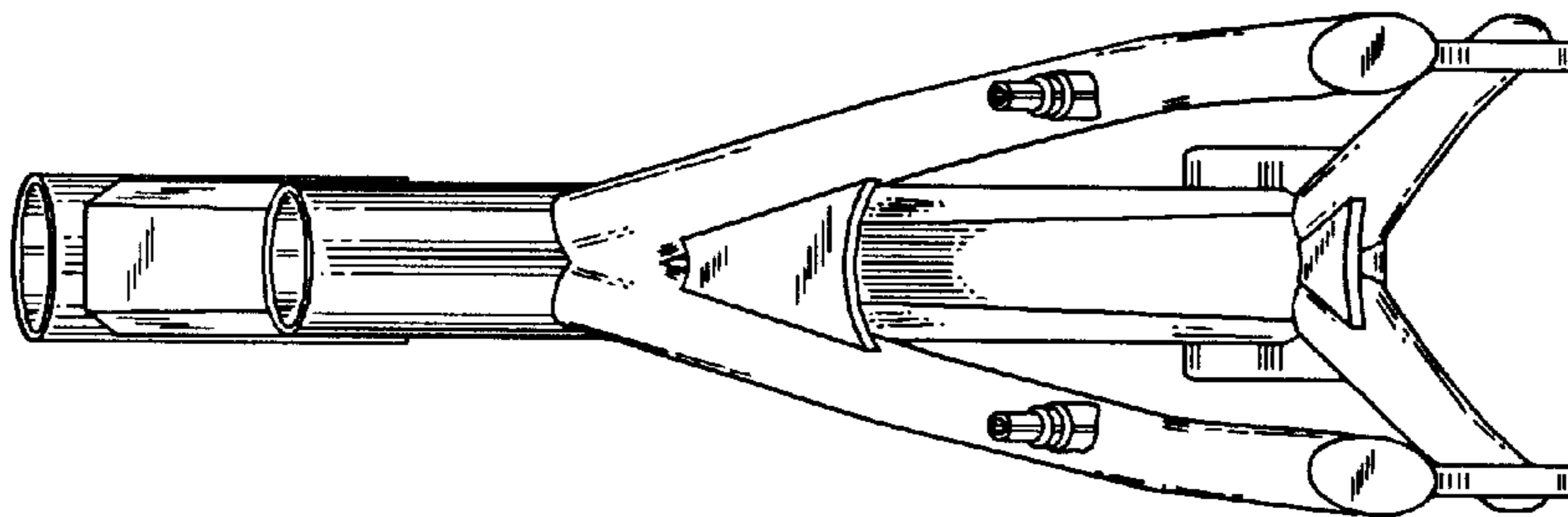


Fig. 4

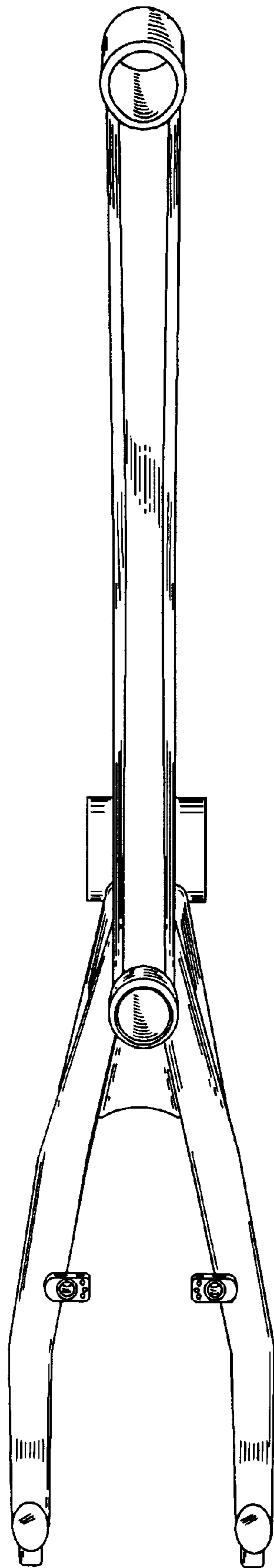


Fig. 6

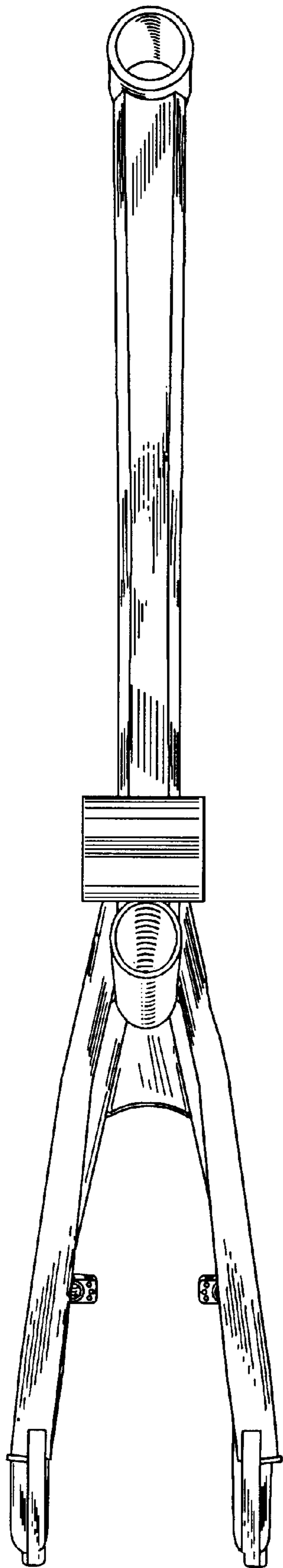


Fig. 7