



US00D419481S

United States Patent [19] Duff

[11] **Patent Number: Des. 419,481**

[45] **Date of Patent: ** Jan. 25, 2000**

[54] **COMBINED GOLF BALL AND TEE**

D. 401,988 12/1998 Shin D21/718
D. 402,395 12/1998 Archambault D11/128 X
3,473,247 10/1969 La Favor et al. .

[76] Inventor: **John Duff**, 46 King St., Stamford,
Conn. 06902

[**] Term: **14 Years**

Primary Examiner—Ted Shooman
Assistant Examiner—Richelle Shelton
Attorney, Agent, or Firm—Ohlandt, Greeley, Ruggiero &
Perle, L.L.P.

[21] Appl. No.: **29/103,822**

[22] Filed: **Apr. 22, 1999**

[57] CLAIM

[51] **LOC (7) Cl.** **11-05**

The ornamental design for a combined golf ball and tee, as shown and described.

[52] **U.S. Cl.** **D11/128; D21/714; D21/718;**
D21/794

DESCRIPTION

[58] **Field of Search** D21/707-709,
D21/714, 717, 718, 794, 789; D11/121,
128, 125; 473/406; 428/7

FIG. 1 is a side perspective view of a combined golf ball and tee showing my new design;

FIG. 2 is a top plan view of the combined golf ball and tee of FIG. 1;

FIG. 3 is a bottom plan view of the combined golf ball and tee of FIG. 1;

FIG. 4 is a front elevational view of the combined golf ball and tee of FIG. 1;

FIG. 5 is a back elevational view of the combined golf ball and tee of FIG. 1; and,

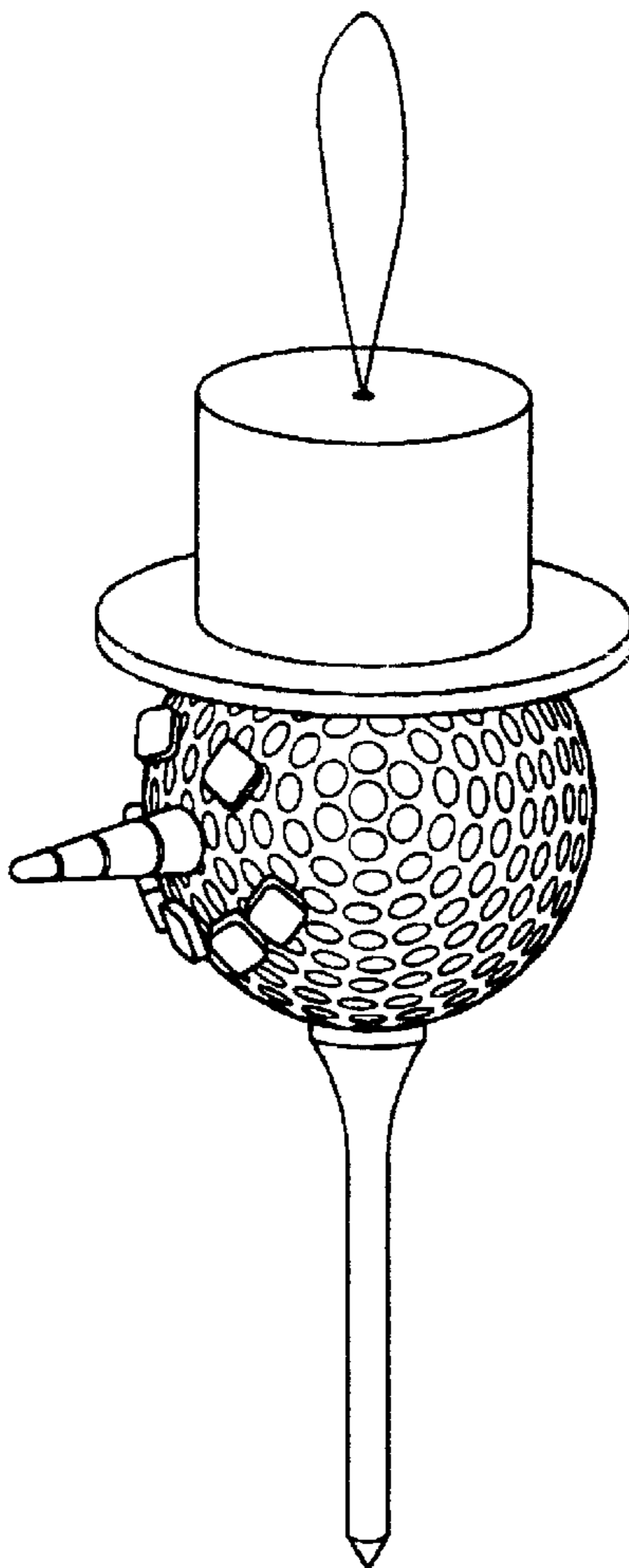
FIG. 6 is a side elevational view of the combined golf ball and tee of FIG. 1.

[56] References Cited

U.S. PATENT DOCUMENTS

D. 90,044 5/1933 Orwitz .
D. 91,150 12/1933 Thompson D21/718
D. 146,129 12/1946 Blackhall et al. .
D. 249,027 8/1978 Dibble D11/128 X
D. 288,258 2/1987 Oden .
D. 311,045 10/1990 Colclasure .
D. 319,170 8/1991 Franke D21/709 X
D. 384,595 10/1997 Hartwell-Ruland D11/121

1 Claim, 2 Drawing Sheets



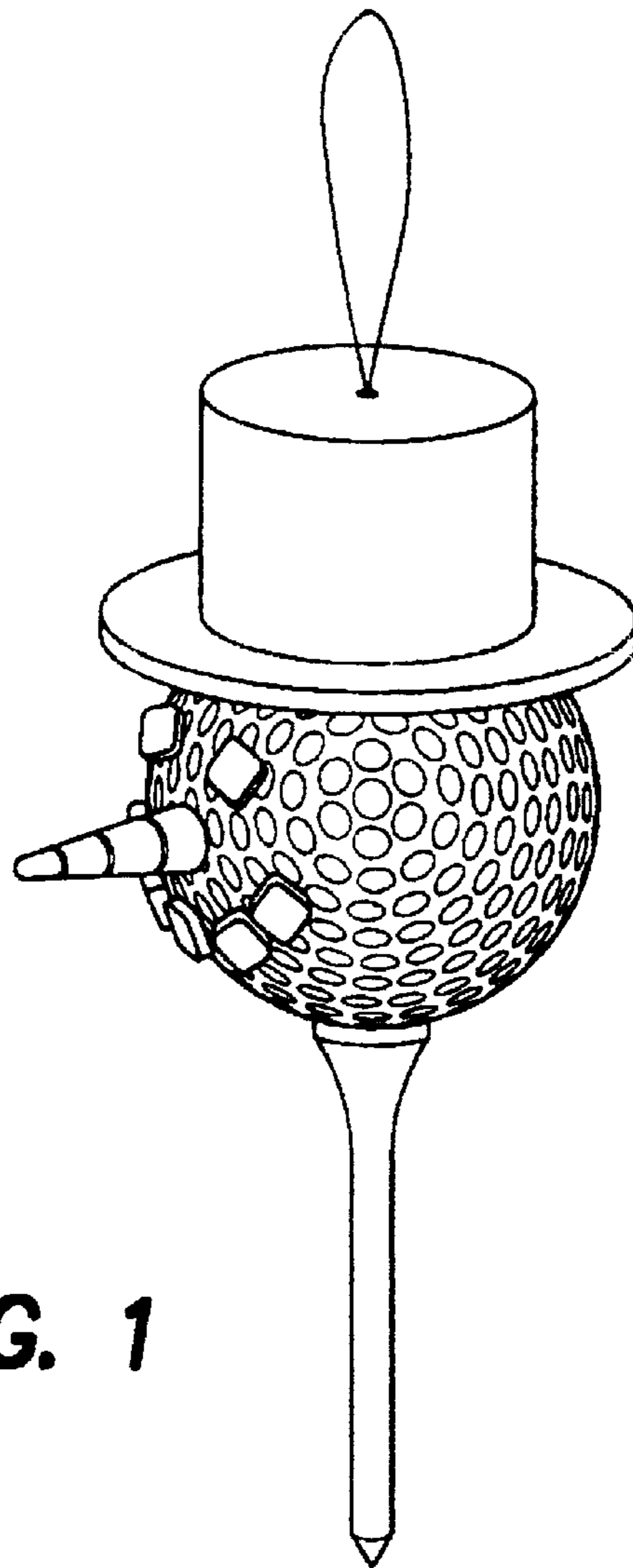


FIG. 1

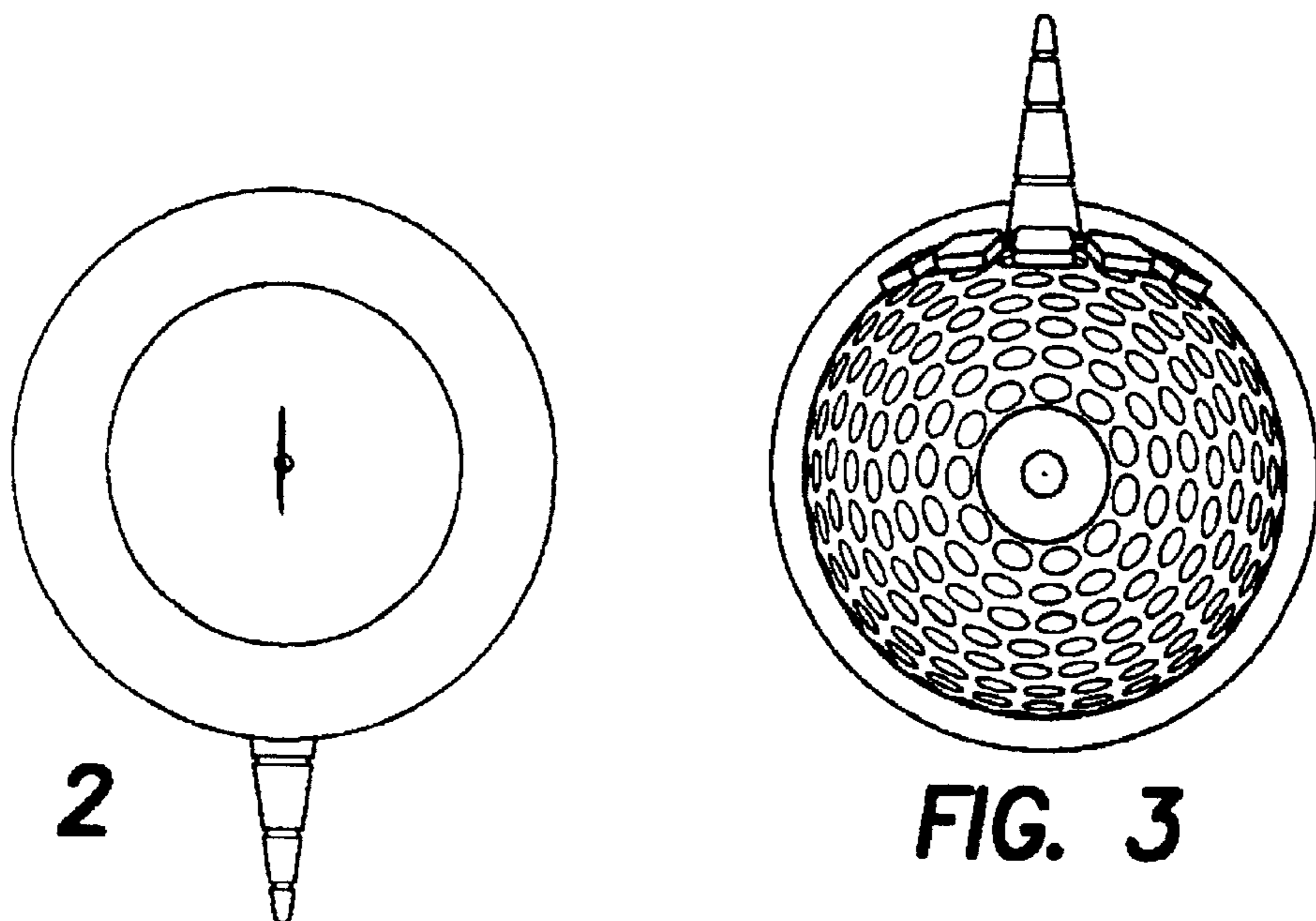


FIG. 2

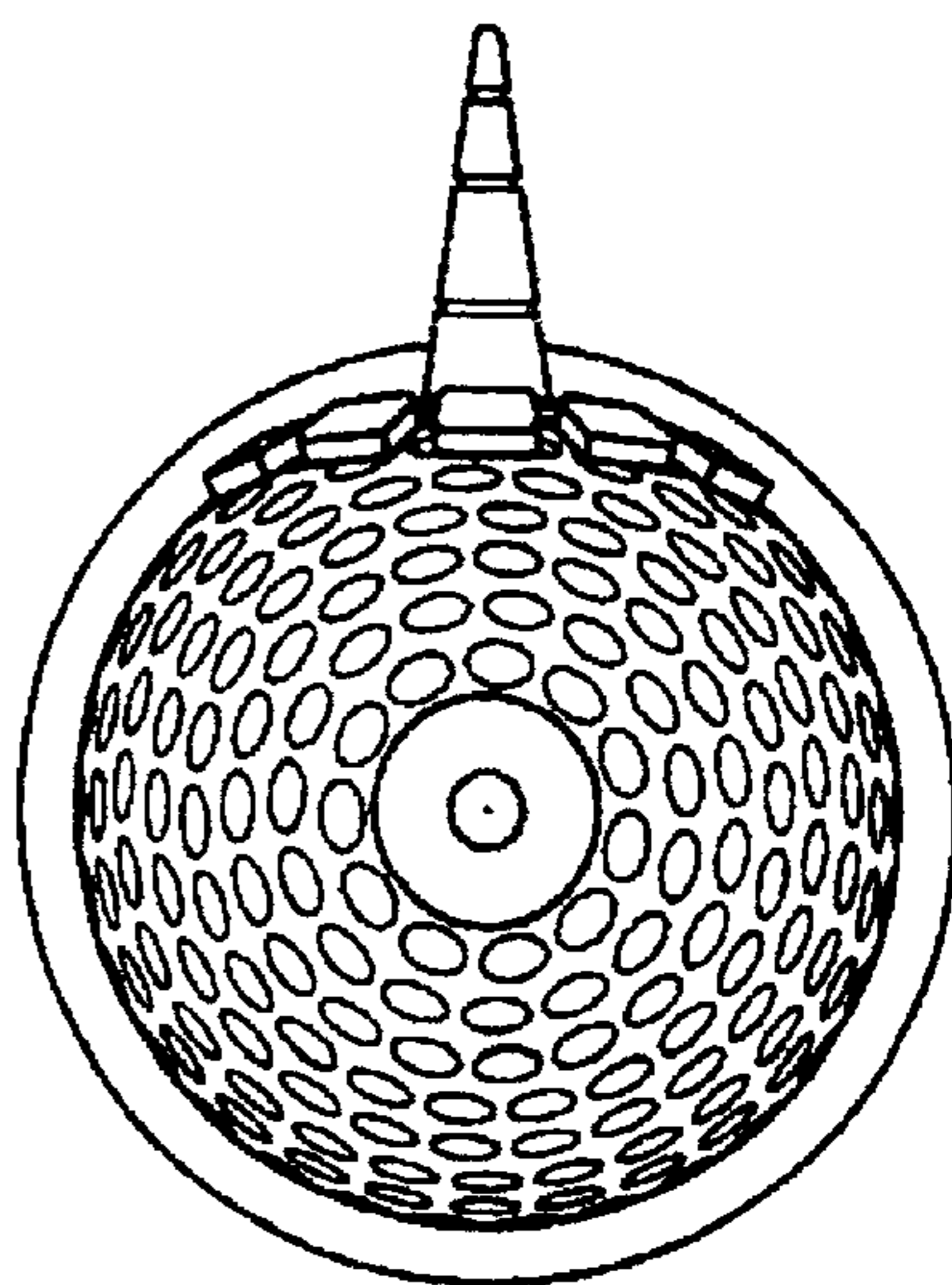


FIG. 3

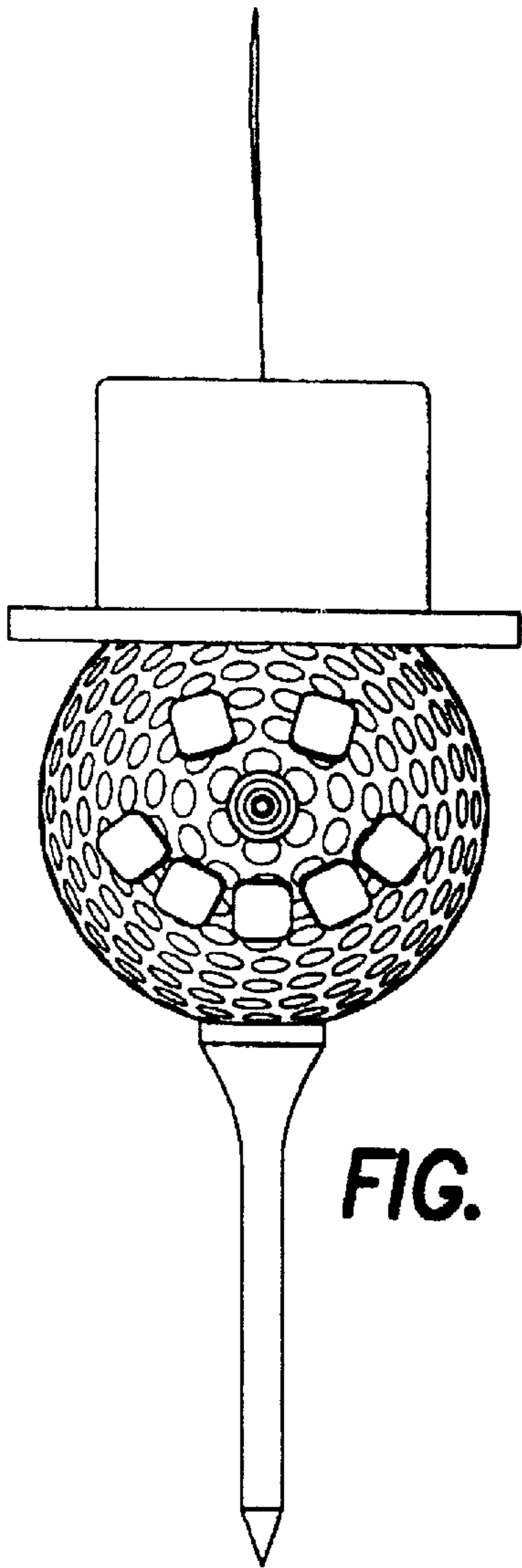


FIG. 4

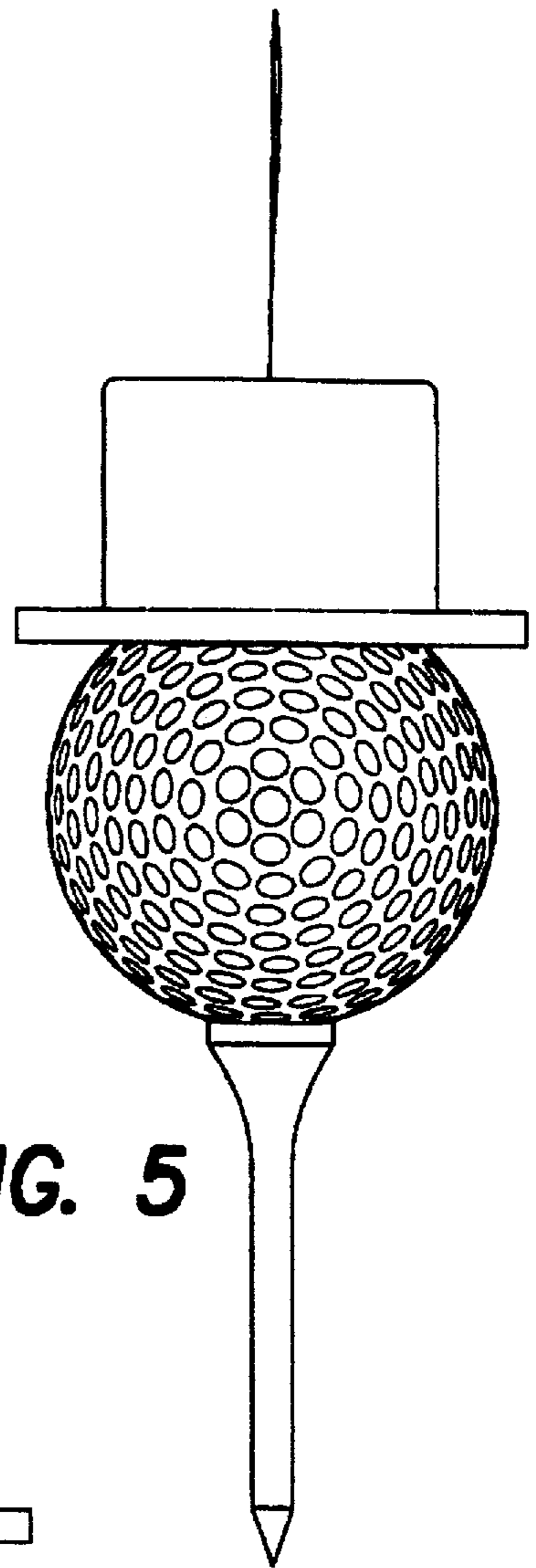


FIG. 5

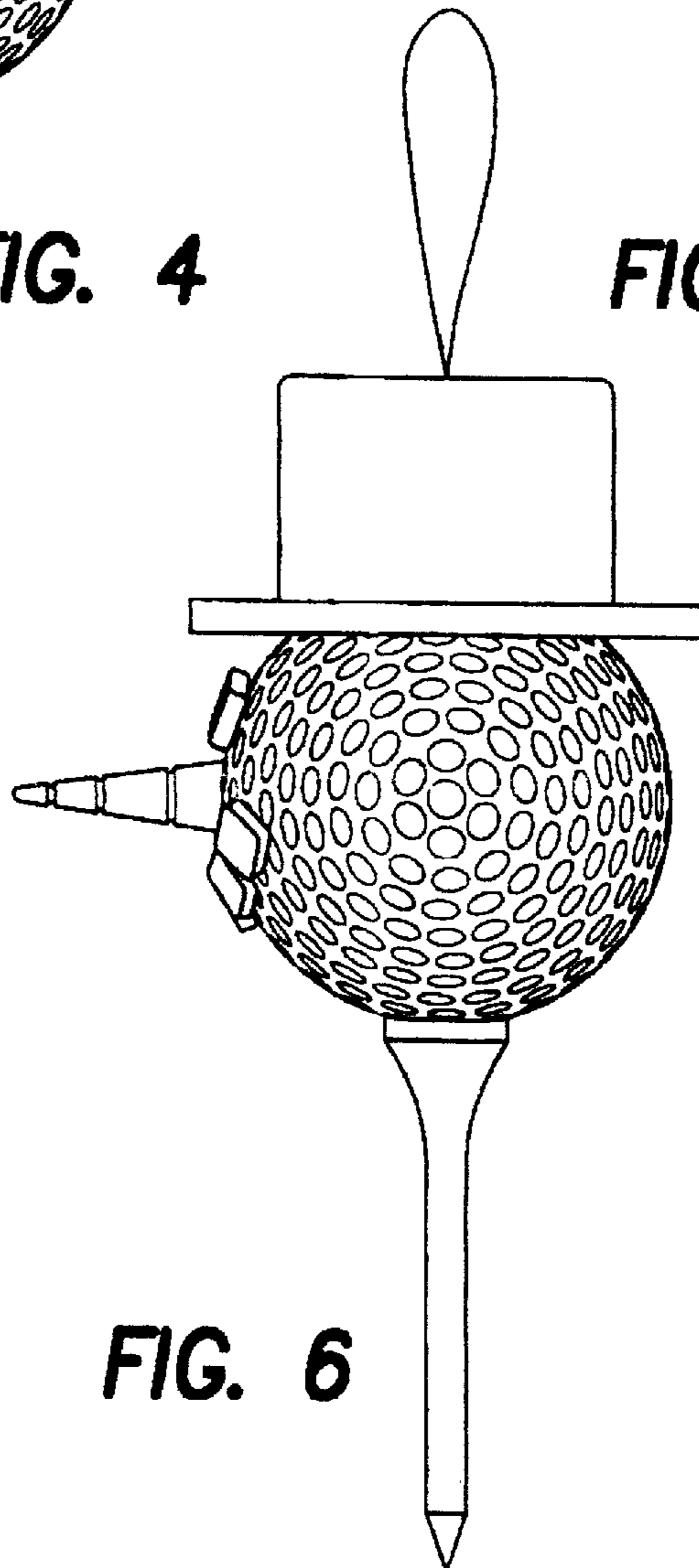


FIG. 6