



US00D419480S

United States Patent [19] Wolf

[11] Patent Number: **Des. 419,480**

[45] Date of Patent: **** Jan. 25, 2000**

[54] **JEWELRY ARRANGEMENT**

[76] Inventor: **Steven J. Wolf**, 161 E. 79th St., New York, N.Y. 10021

[**] Term: **14 Years**

[21] Appl. No.: **29/098,003**

[22] Filed: **Dec. 18, 1998**

[51] **LOC (7) Cl.** **11-01**

[52] **U.S. Cl.** **D11/90**

[58] **Field of Search** D11/1-2, 26-30,
D11/89-91; 63/1.1, 12, 13, 14.1, 15-15.8,
20, 26-32

[56] **References Cited**

U.S. PATENT DOCUMENTS

- D. 48,499 2/1916 Robbins .
- D. 65,193 7/1924 Leveridge D11/90
- D. 68,641 11/1925 Robbins .
- D. 68,642 11/1925 Robbins .
- D. 68,644 11/1925 Robbins .
- D. 68,931 12/1925 Robbins .
- D. 71,325 10/1926 Bornkessel .
- D. 71,326 10/1926 Bornkessel .
- D. 85,237 9/1931 Gross .
- D. 92,694 7/1934 Bayardi .
- 138,314 4/1873 Bruhl .
- D. 139,667 12/1944 Klein .
- D. 196,868 11/1963 Nagy .
- D. 250,100 10/1978 Finker et al. .
- D. 262,300 12/1981 Lundy .
- D. 276,143 10/1984 Williams .
- D. 324,003 2/1992 Baranes .
- D. 334,154 3/1993 Benderly .
- D. 338,851 8/1993 D'Haene .
- D. 350,708 9/1994 Bachar .
- D. 372,204 7/1996 Itzkowitz .
- D. 372,883 8/1996 Adler .
- D. 373,971 9/1996 Katz .
- D. 374,193 10/1996 Doustorian .
- D. 379,776 6/1997 Spitzer D11/90
- D. 387,302 12/1997 Itzkowitz D11/90

- D. 389,087 1/1998 Kattan D11/90
- D. 393,230 4/1998 Katz D11/90

(List continued on next page.)

FOREIGN PATENT DOCUMENTS

- 859885 9/1940 France .
- 1120076 6/1956 France .
- 1015310 12/1965 United Kingdom .

OTHER PUBLICATIONS

Photocopy of unidentified brochure "From Our Precious Gemstone Collection", 1 page (unnumbered) (admitted prior art). No Date.

Photocopy of unidentified brochure "Diamonds of a Carat or More for you Now Forever", 1 page (unnumbered) (admitted prior art). No Date.

Photocopy of diamond necklace from Christies Catalog, undated, p. 214 (admitted prior art). No Date.

"A Blazing display Of Brilliant designs Evoking the Future Yet Suited for Today", Paul Klecka, Inc., undated, p. 53, (admitted prior art). No date.

"*Diamond Cutting*", 4th Ed., by Basil Watermeyer, definition of "Trilliant", 1960, 1 page, unnumbered.

(List continued on next page.)

Primary Examiner—Ralf Seifert
Attorney, Agent, or Firm—Akin, Gump, Strauss, Hauer & Feld, L.L.P.

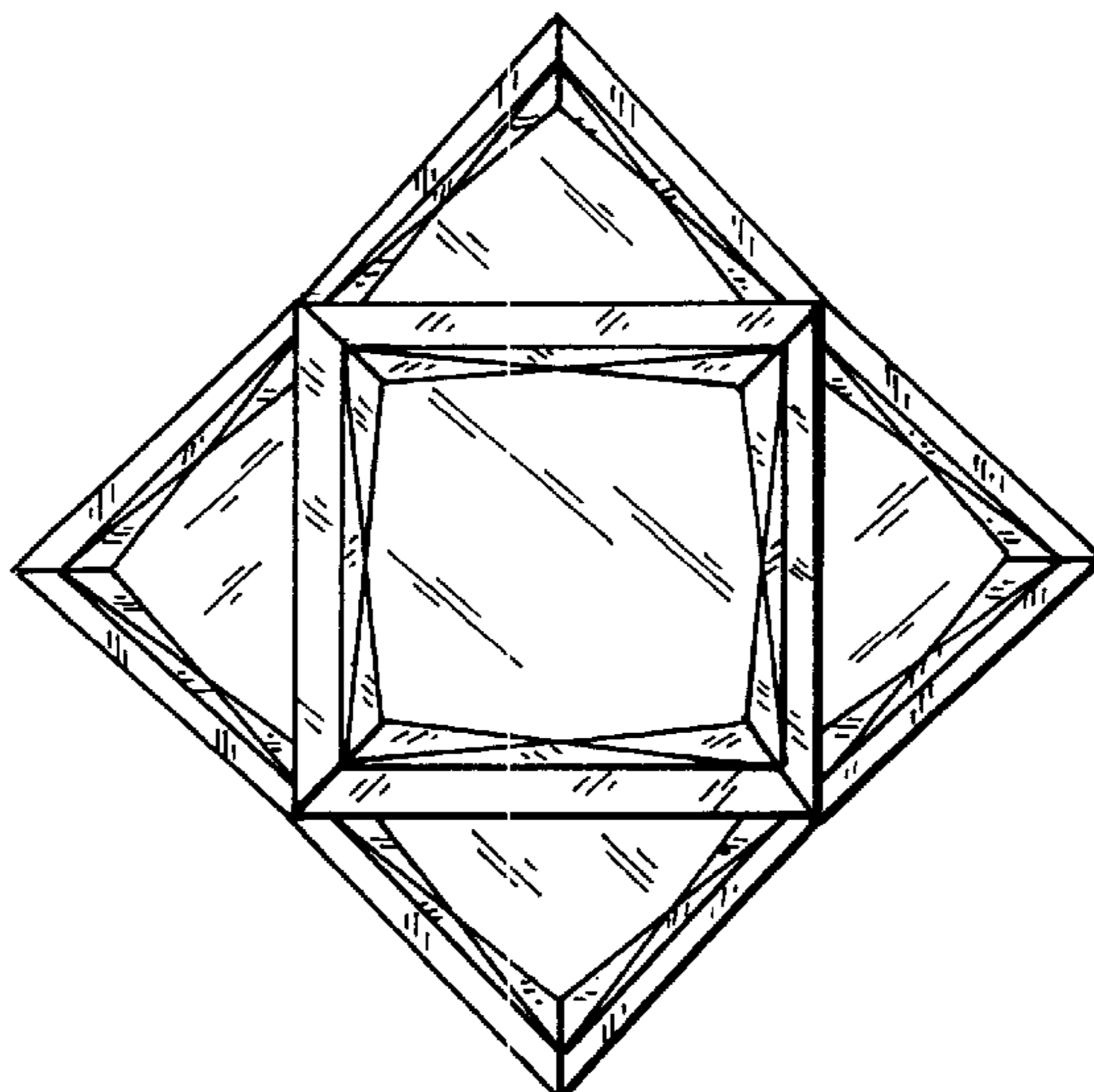
[57] **CLAIM**

The ornamental design for a jewelry arrangement, as shown and described.

DESCRIPTION

FIG. 1 is a top plan view of a jewelry arrangement in accordance with a first embodiment of my new design; FIG. 2 is a bottom plan view thereof; and, FIG. 3 is a front elevational view thereof, the rear elevational view, right side elevational view, and left side elevational view being the same.

1 Claim, 1 Drawing Sheet



U.S. PATENT DOCUMENTS

D. 402,226	12/1998	Wolf .	
D. 402,582	12/1998	Ambar	D11/89
948,774	2/1910	Strelitz .	
954,568	4/1910	Gebhardt .	
1,134,497	4/1915	Abel et al. .	
1,171,186	2/1916	Frackman .	
1,204,915	11/1916	Whitehouse .	
1,204,916	11/1916	Whitehouse .	
1,204,917	11/1916	Whitehouse .	
1,205,113	11/1916	Selmeier .	
1,252,966	1/1918	Sudarov .	
1,276,132	8/1918	Sudarov .	
1,308,011	6/1919	Gilsey .	
1,322,062	11/1919	Schumer et al. .	
1,325,315	12/1919	Cresse .	
1,330,993	2/1920	Whitehouse .	
1,332,206	3/1920	Dinhofer .	
1,929,236	10/1933	Bridler .	
2,009,390	7/1935	Bayardi .	
2,035,244	3/1936	Pejchar .	
2,207,869	7/1940	Monnier .	
2,729,955	1/1956	Jay .	
2,907,187	10/1959	Karp et al. .	
3,394,692	7/1968	Sirakian .	
3,755,025	8/1973	Jones .	
4,392,289	7/1983	Michaud .	
4,503,687	3/1985	Tessler et al. .	

5,072,601	12/1991	Slowinski .
5,123,265	6/1992	Ramot .
5,419,159	5/1995	Muller .
5,488,839	2/1996	Udko .
5,533,364	7/1996	Freilich .

OTHER PUBLICATIONS

- “The Trillion”, *Diamond World Review*, Summer 1980, pp. 920–923.
- “Jewellery”, *Sotheby’s Art at Auction*, 1980–81, p. 254.
- “Designer Diamonds The Contemporary Shapes of Designer Diamond Jewelry”, *JQ Jewelers quarterly*, 1st quarter, 1987, pp. 18 and 19.
- Unidentified photocopy, Rizzoli International Publications, Inc., p. 168 and unnumbered page, 1987, (admitted prior art).
- Photocopy of “JCK What’s New”, *Jewelers’ Circular–Keystone*, Feb. 1990, p. 192.
- “Dresden Green Diamond”, *Gems & Gemology*, Winter 1990, p. 258.
- Éclat Paris International No. 23, 1992, 1 page (unnumbered).
- Photocopy of advertisement, “The Magic of Printillion® only from Orion”, *Modern Jeweler*, May 1998, 3 pages, Orion Diamond Inc.

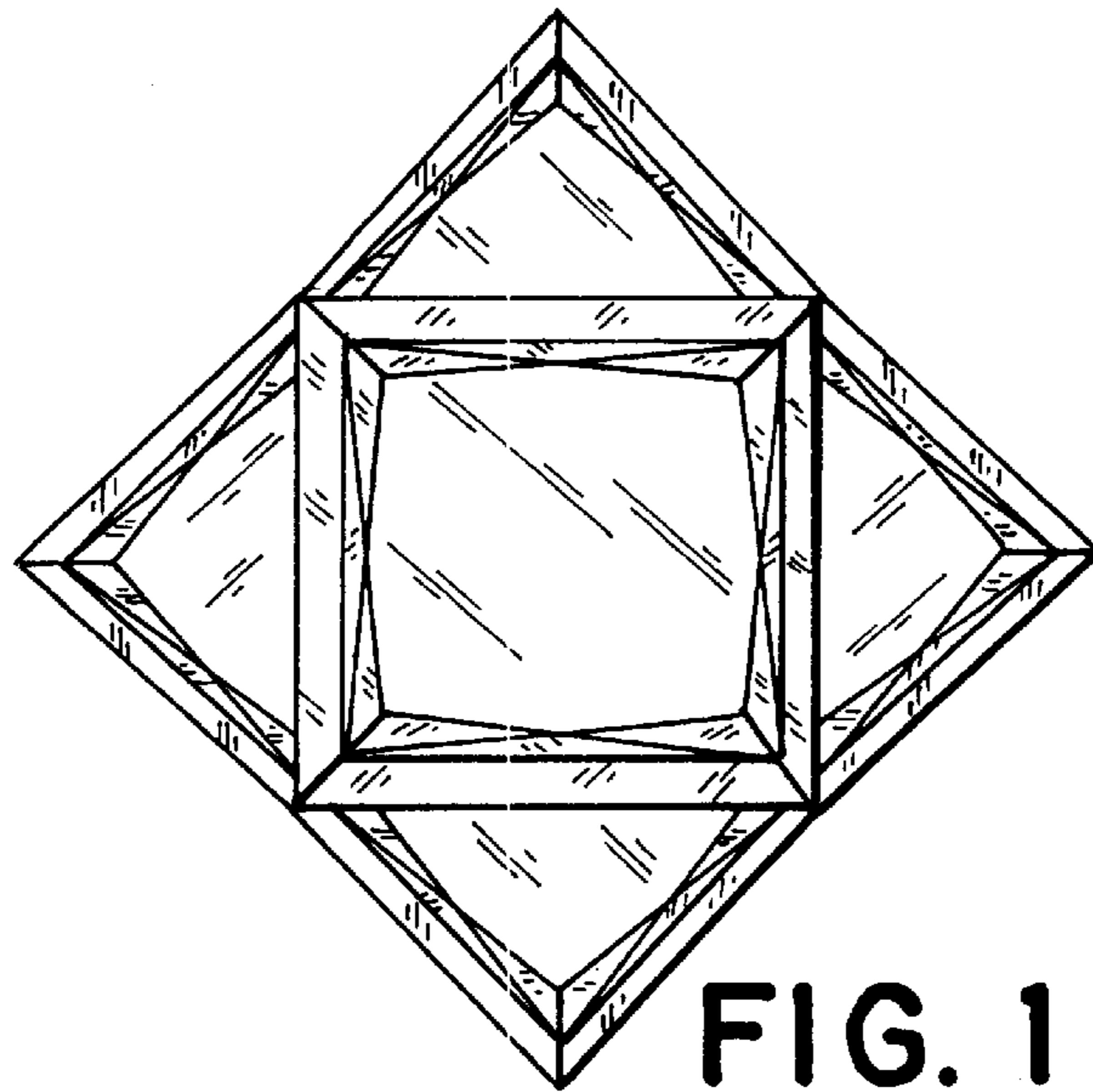


FIG. 1

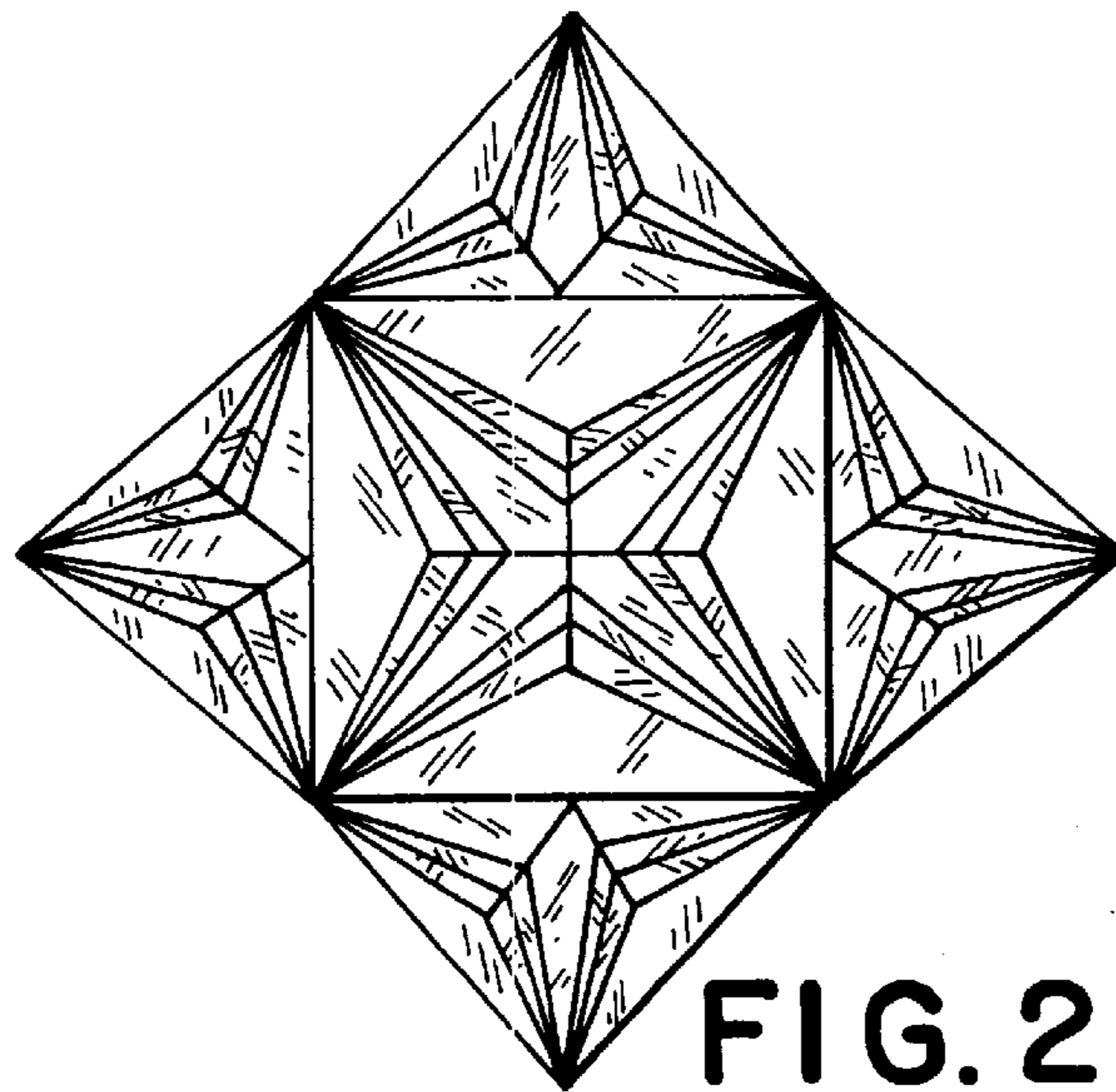


FIG. 2

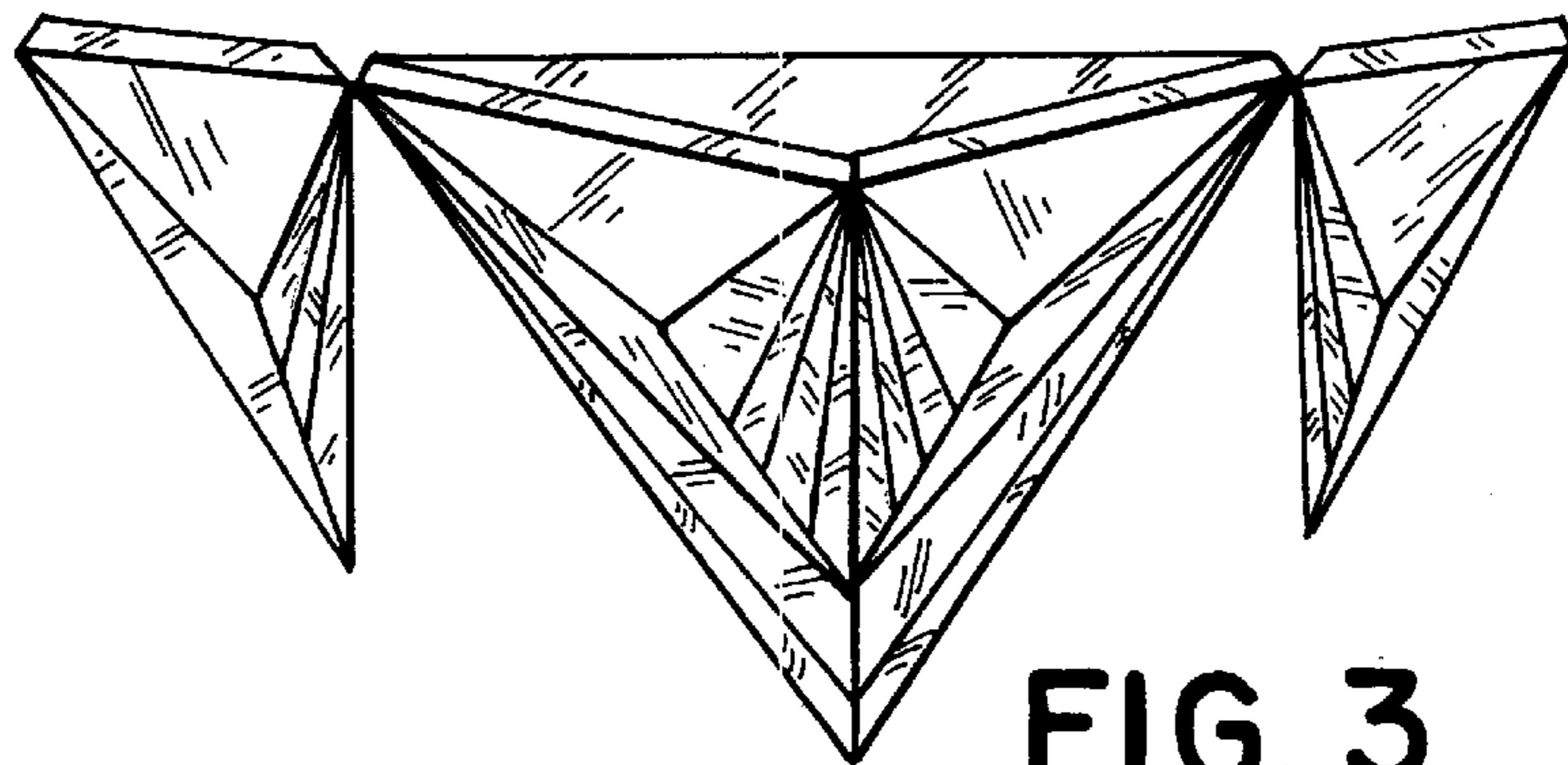


FIG. 3