



US00D419476S

United States Patent [19] Baker

[11] **Patent Number: Des. 419,476**

[45] **Date of Patent: ** Jan. 25, 2000**

[54] **SMOKE DETECTOR**

2,800,187 11/1957 Lehder 169/26
4,623,878 11/1986 Schoenwetter 340/628

[76] Inventor: **Windfred Baker**, 5537 Los Palos Cir.,
Buena Park, Calif. 90620

Primary Examiner—Marcus A. Jackson
Attorney, Agent, or Firm—Goldstein & Canino

[**] Term: **14 Years**

[57] **CLAIM**

[21] Appl. No.: **29/103,089**

The ornamental design for a smoke detector, as shown and described.

[22] Filed: **Apr. 8, 1999**

DESCRIPTION

[51] **LOC (7) Cl.** **10-05**

[52] **U.S. Cl.** **D10/106**

[58] **Field of Search** D10/104, 106,
D10/116, 121; 340/571, 572, 573, 628,
629, 630, 695

FIG. 1 is a diagrammatic perspective view of the smoke detector, with the cord broken away to indicate indeterminate length;

FIG. 2 is a front elevational view thereof.

FIG. 3 is a rear elevational view thereof.

FIG. 4 is a top plan view thereof.

FIG. 5 is a bottom plan view thereof.

FIG. 6 is a left side elevational view of the smoke detector; and,

FIG. 7 is a right side elevational view thereof.

[56] **References Cited**

U.S. PATENT DOCUMENTS

D. 367,623	3/1996	DeWitt	D10/106
D. 372,825	8/1996	Amlashi	D10/106
D. 382,823	8/1997	Newland, Jr. et al.	D10/106
D. 391,185	2/1998	Jomizawa	D10/106

1 Claim, 3 Drawing Sheets

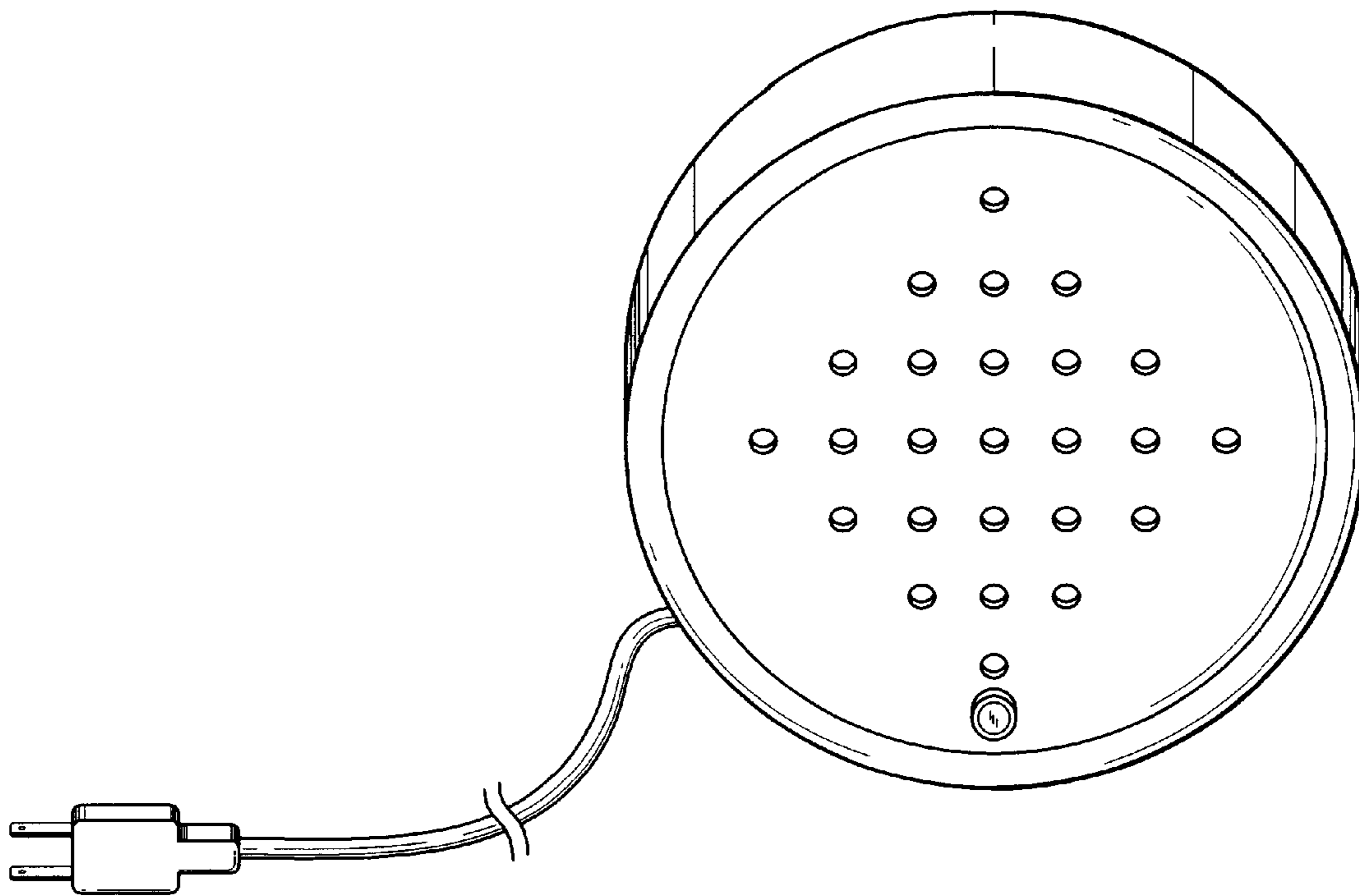


FIG. 1

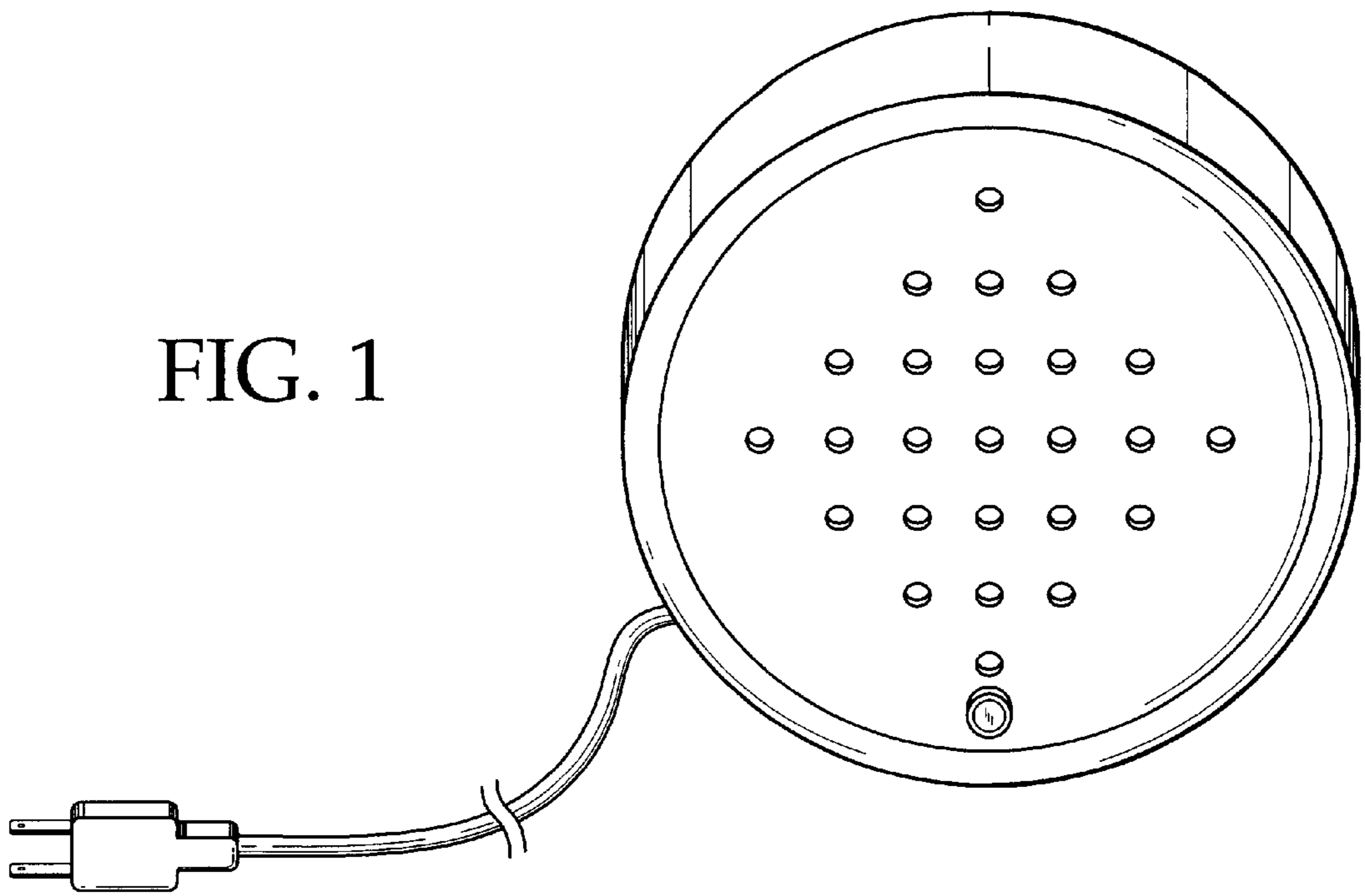
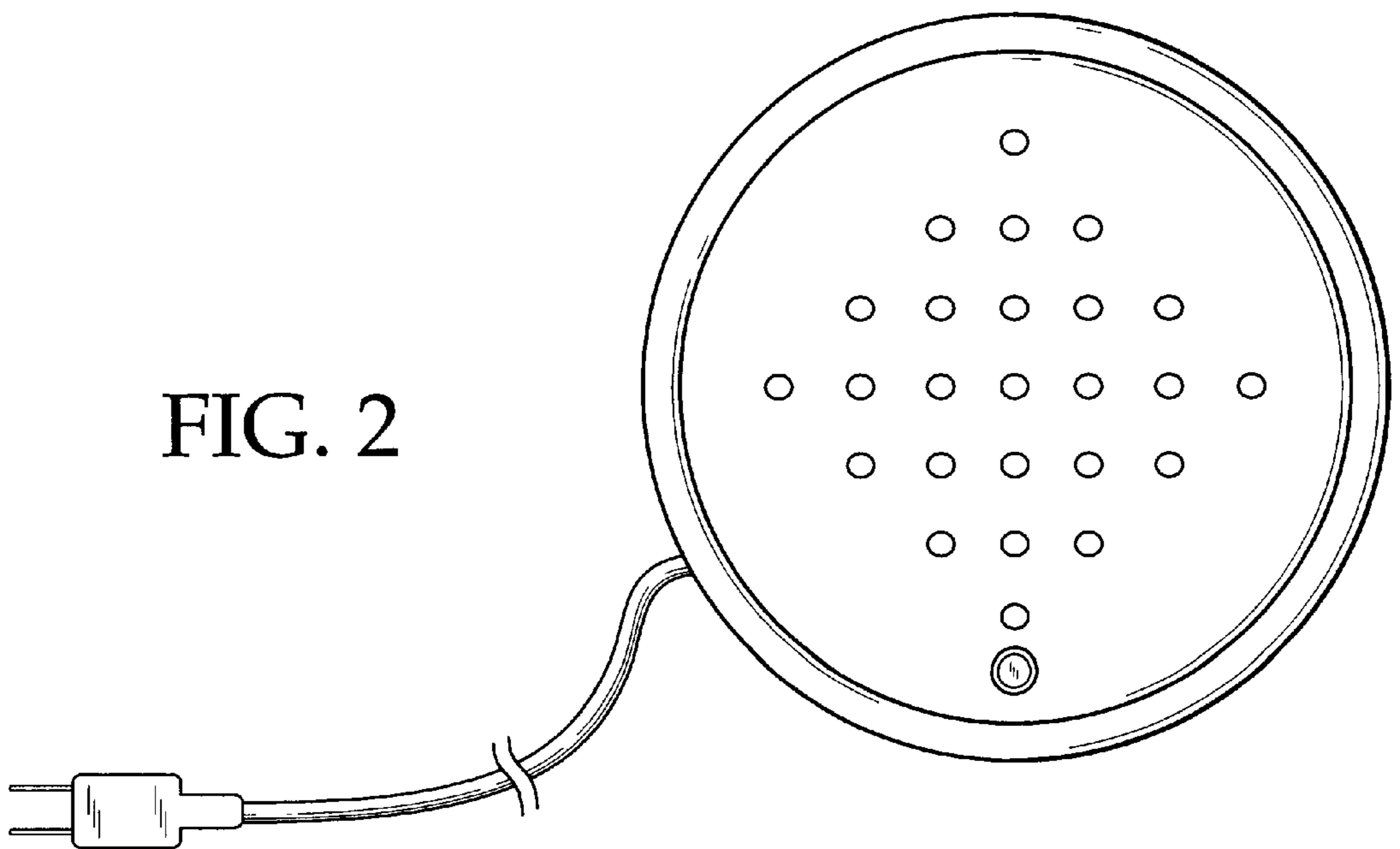


FIG. 2



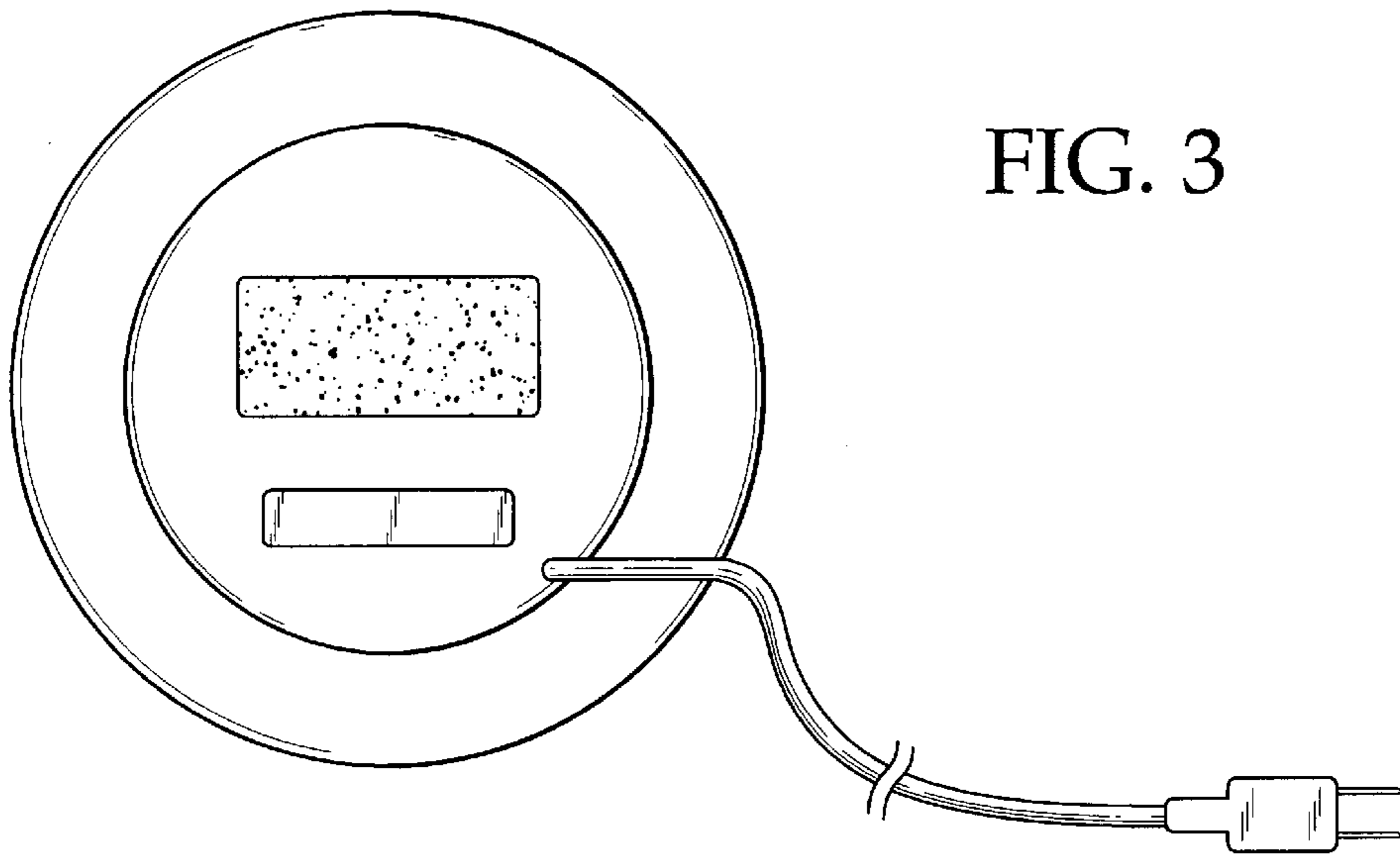


FIG. 4

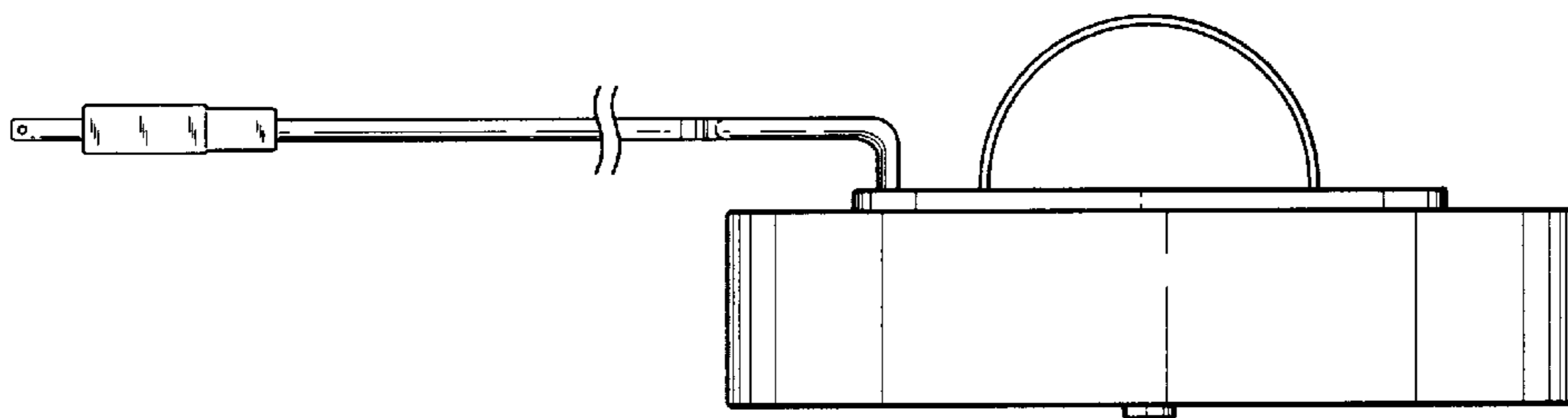


FIG. 5

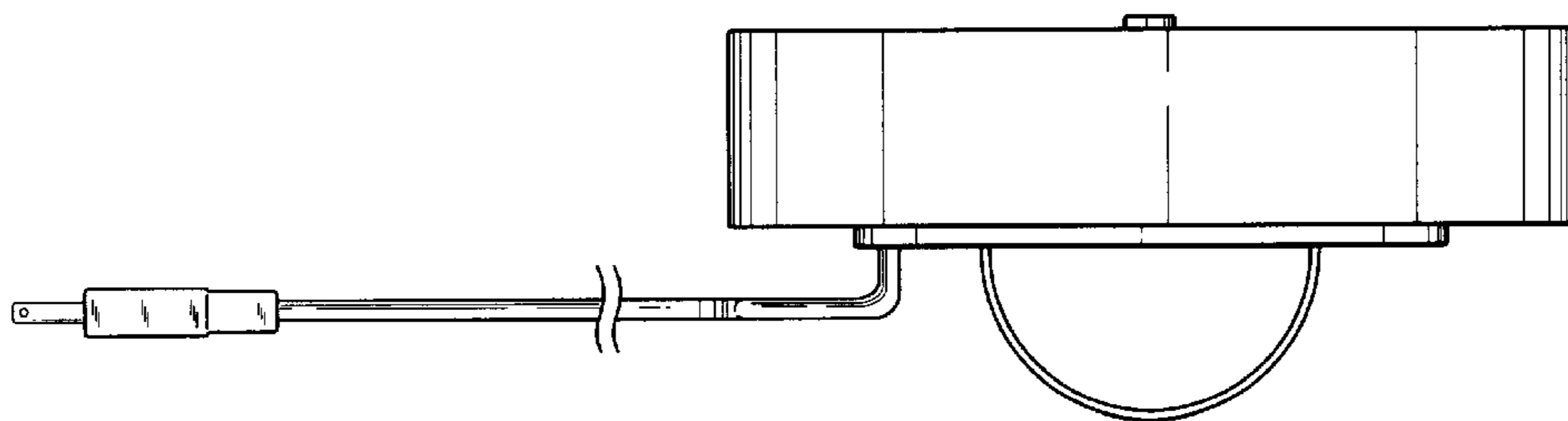


FIG. 6

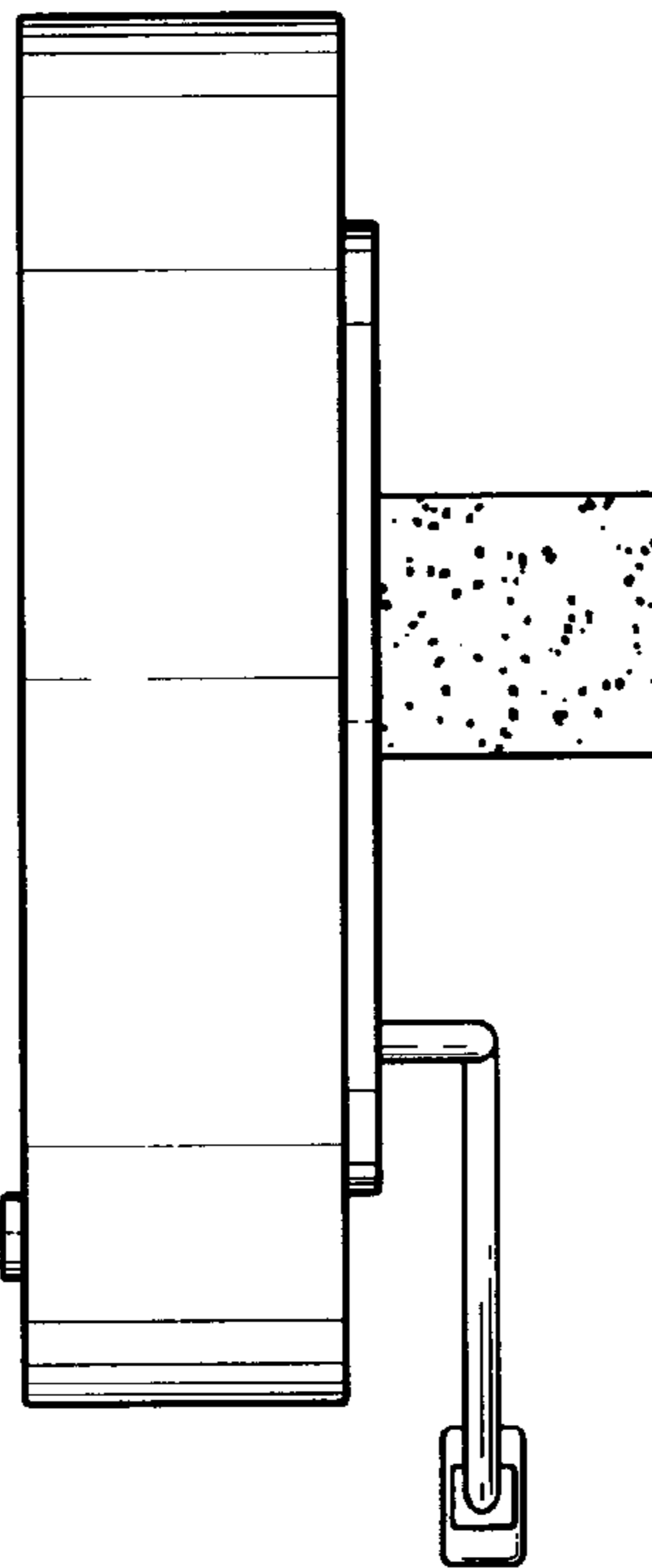
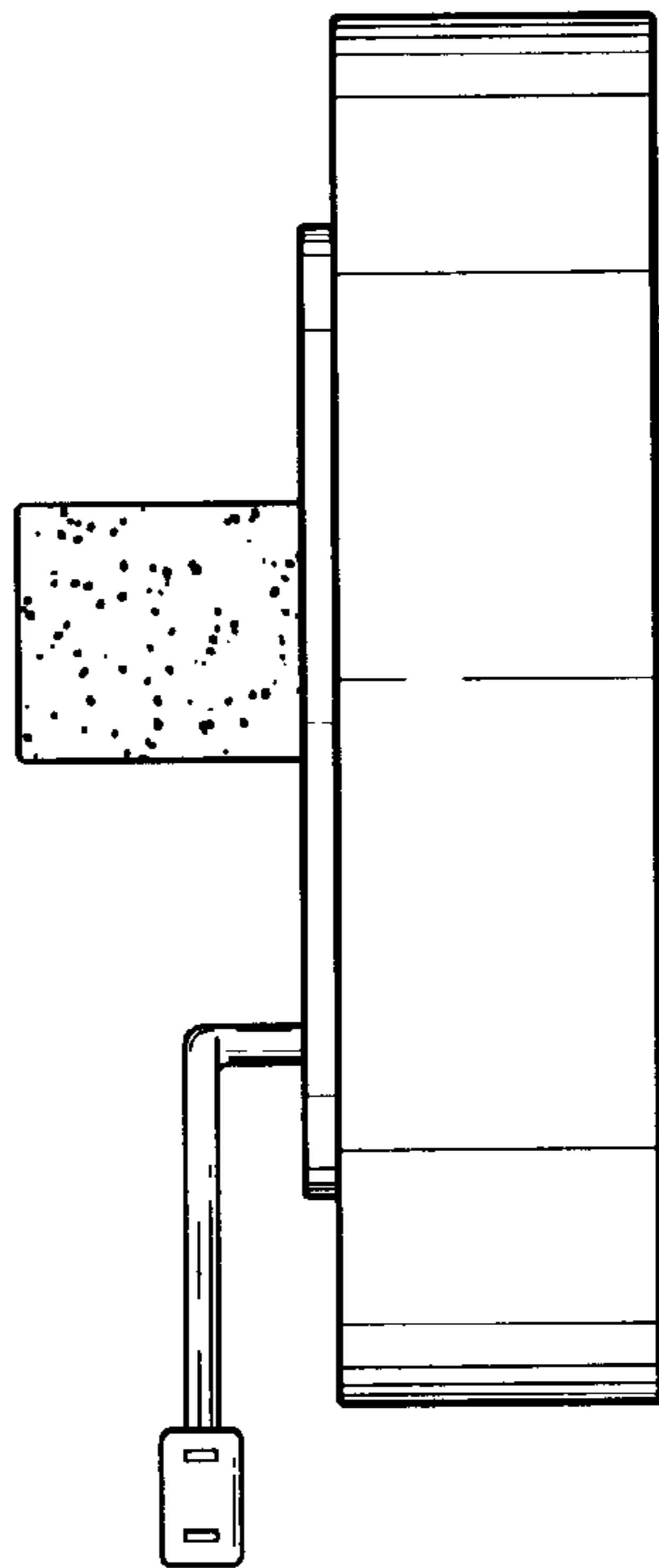


FIG. 7