



US00D419475S

United States Patent [19]
Chu

[11] **Patent Number: Des. 419,475**
[45] **Date of Patent: ** Jan. 25, 2000**

[54] **ALARM**

D. 314,720 2/1991 Chen D10/106
D. 406,780 3/1999 Chu D10/106

[76] Inventor: **Charles Chu**, 15F-1, No. 170, Sec. 2,
Nan Ya Nan Rd., Panchiao City, Taipei
Hsien, Taiwan

Primary Examiner—Marcus A. Jackson
Attorney, Agent, or Firm—Rosenberg, Klein & Bilker

[**] Term: **14 Years**

[57] **CLAIM**

[21] Appl. No.: **29/081,578**

The ornamental design for an alarm, as shown and described.

[22] Filed: **Dec. 9, 1997**

DESCRIPTION

[51] **LOC (7) Cl.** **10-05**

FIG. 1 is the perspective view of an alarm showing my new design;

[52] **U.S. Cl.** **D10/106**

FIG. 2 is the front elevational view thereof;

[58] **Field of Search** D10/104, 106,
D10/116, 121; 340/384.1, 384.3, 384.7,
388.1, 390.1, 391.2, 392.2, 392.4

FIG. 3 is the rear elevational view thereof;

FIG. 4 is the left side elevational view thereof;

FIG. 5 is the right side elevational view thereof;

[56] **References Cited**

FIG. 6 is the top view thereof; and,

FIG. 7 is the bottom plan view thereof.

U.S. PATENT DOCUMENTS

D. 297,918 10/1988 Kamada D10/106

1 Claim, 2 Drawing Sheets

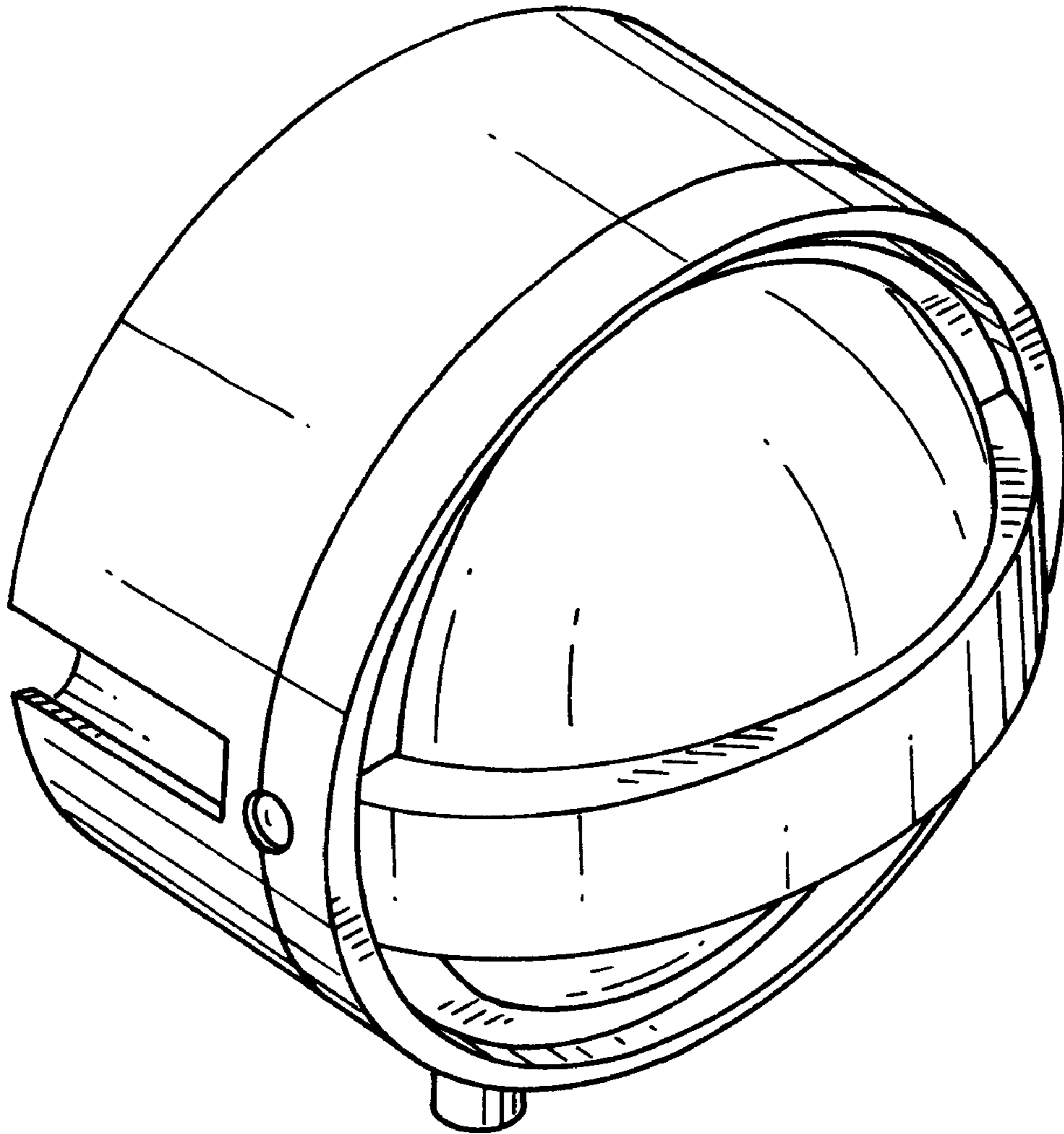


FIG. 1

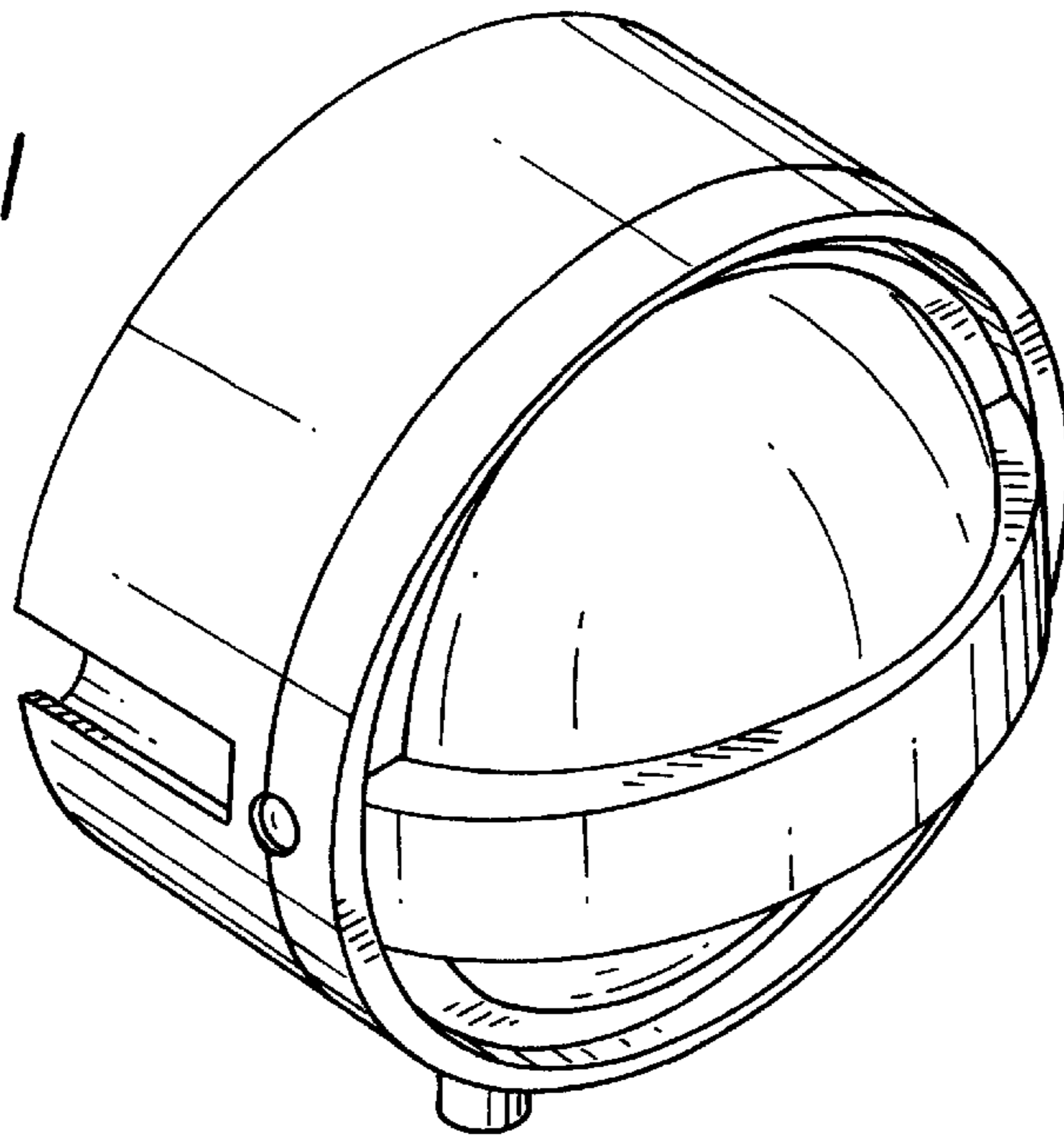


FIG. 2

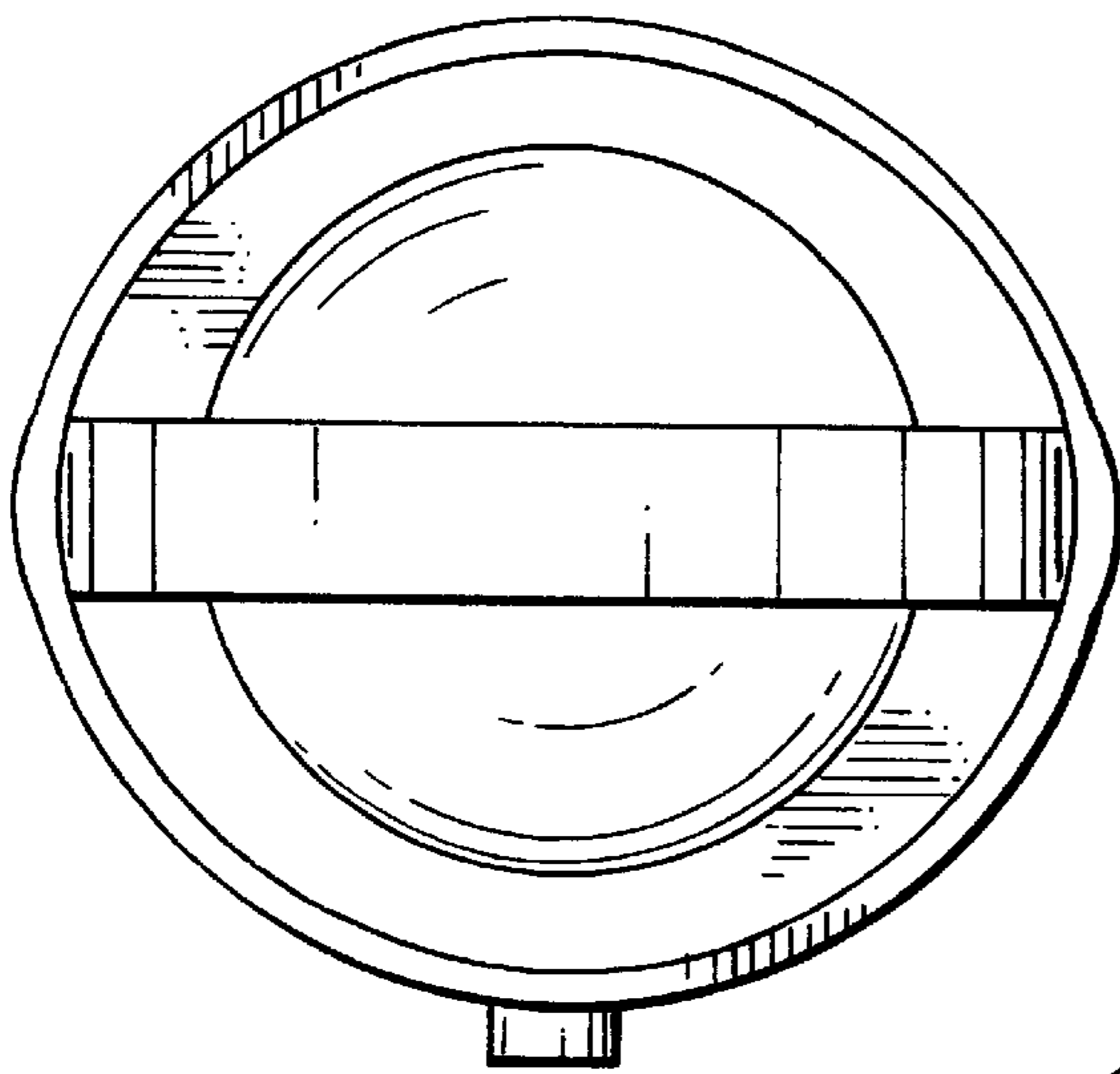
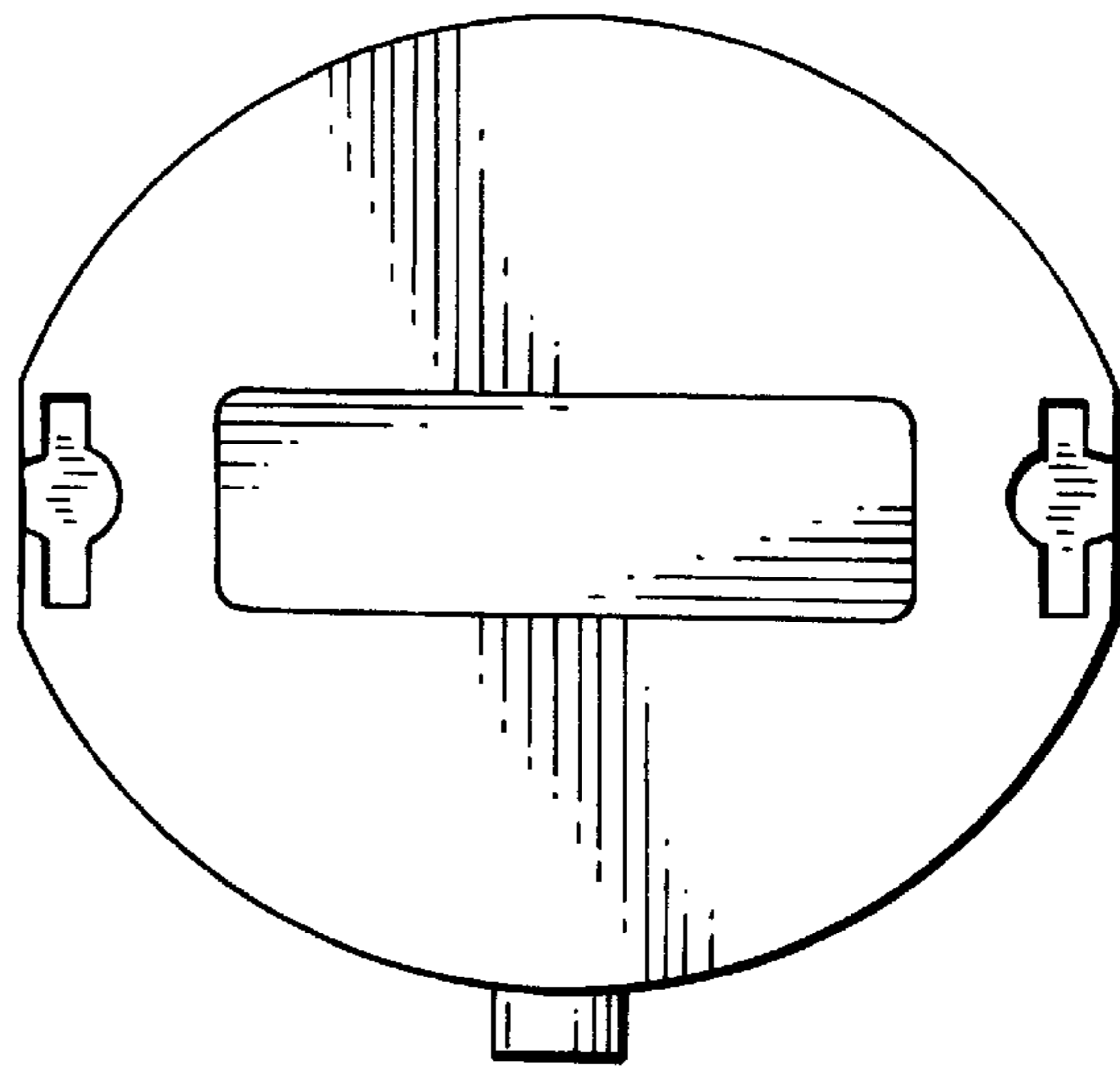


FIG. 3



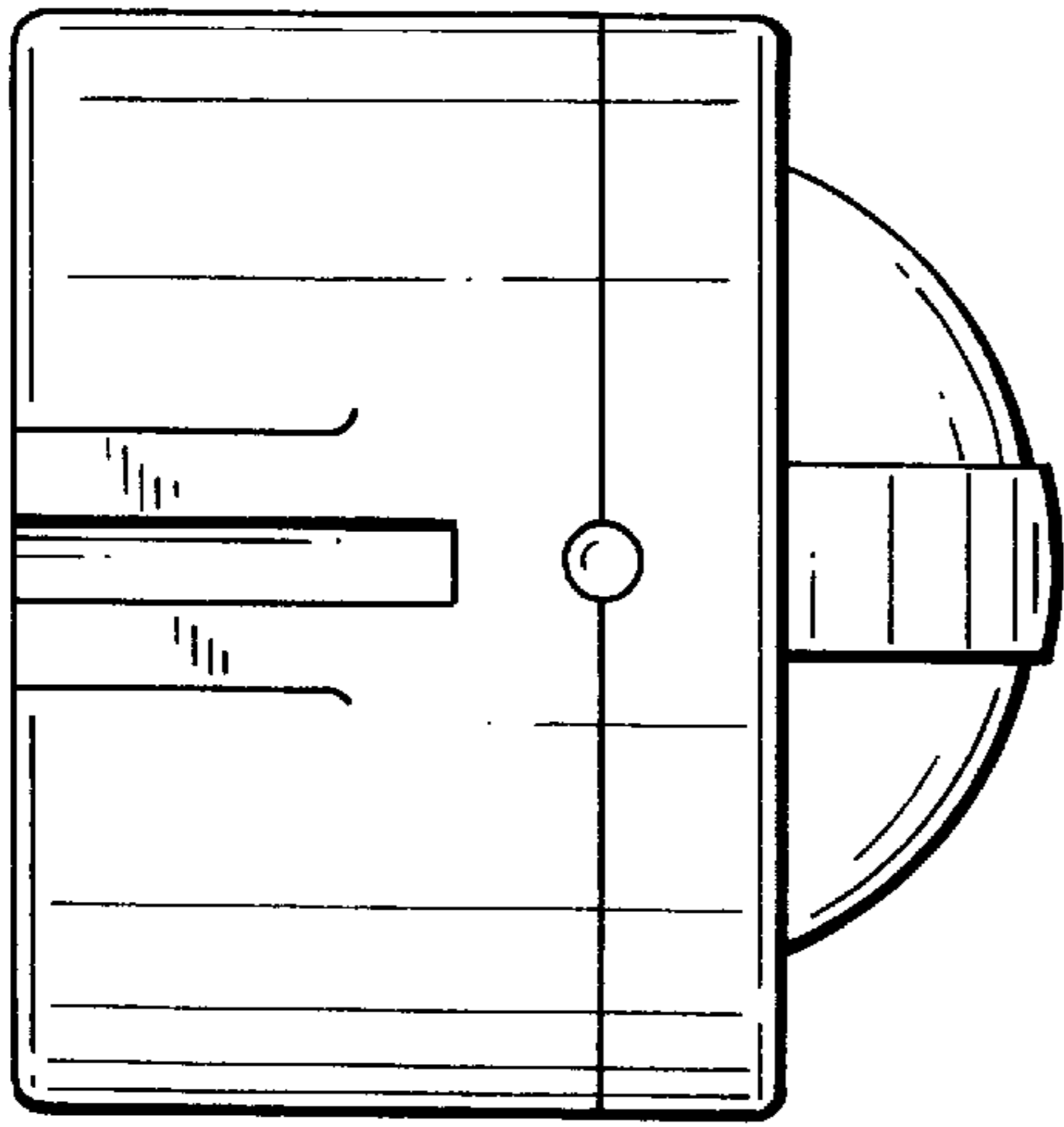


FIG. 4

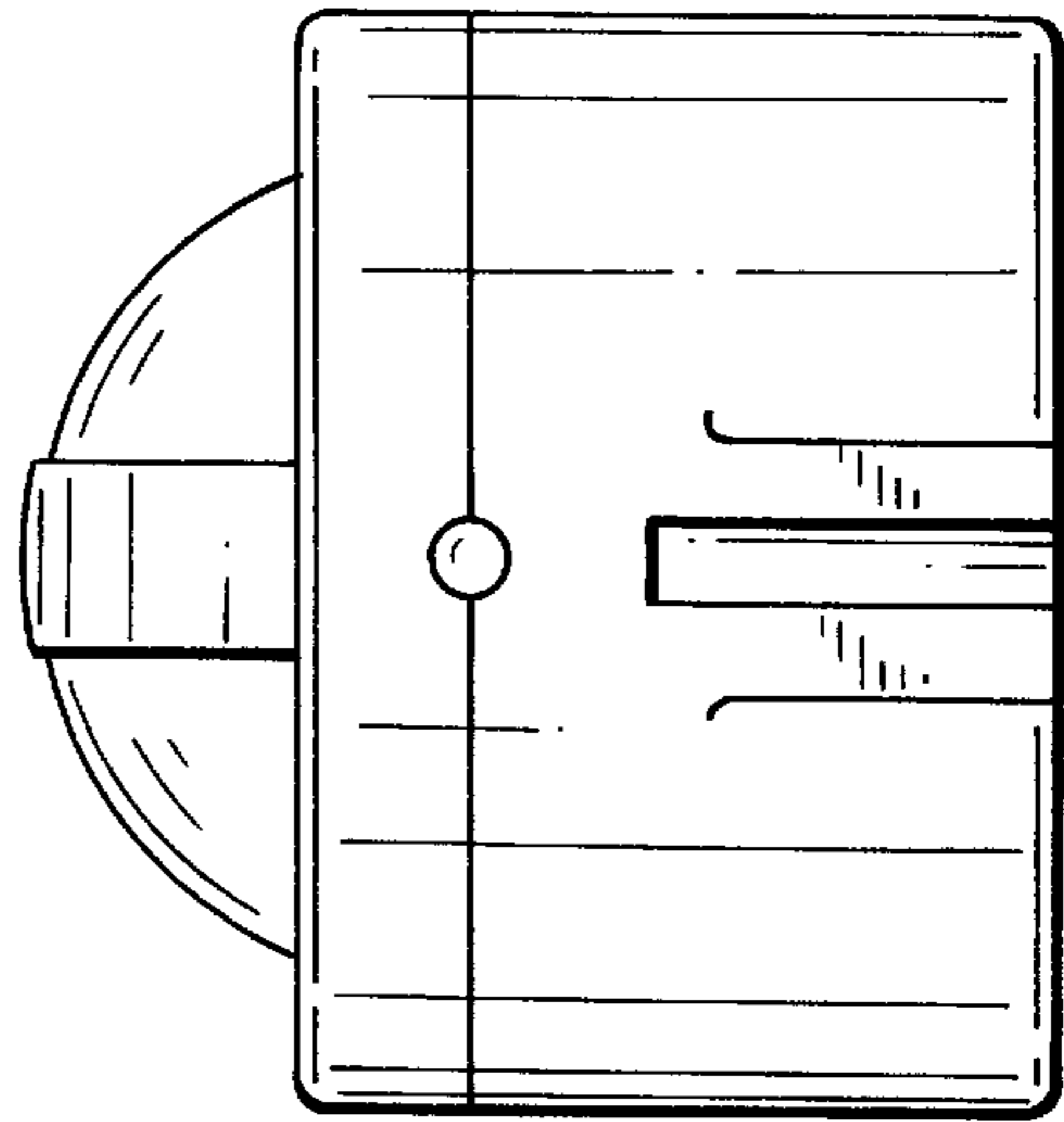


FIG. 5

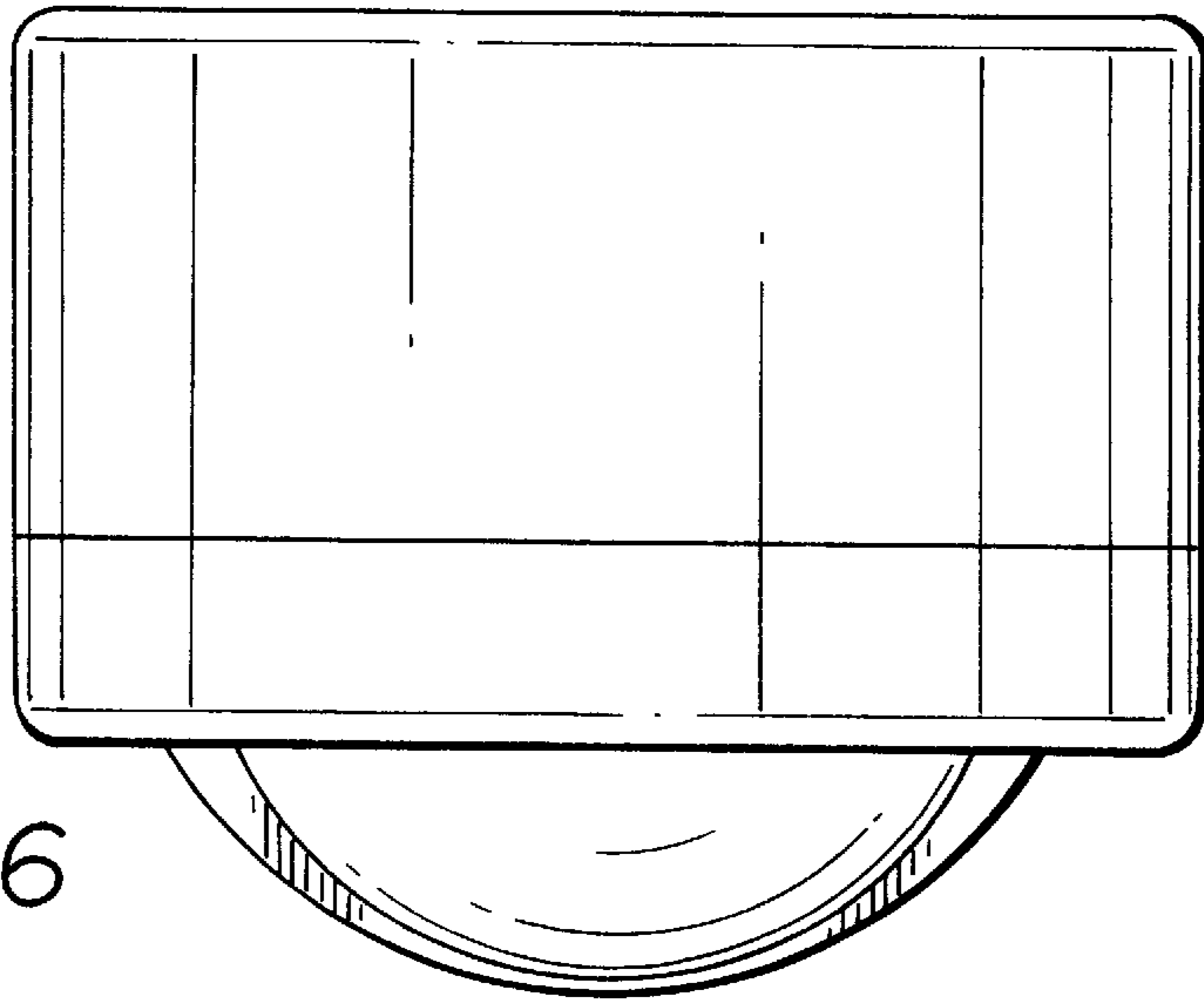


FIG. 6

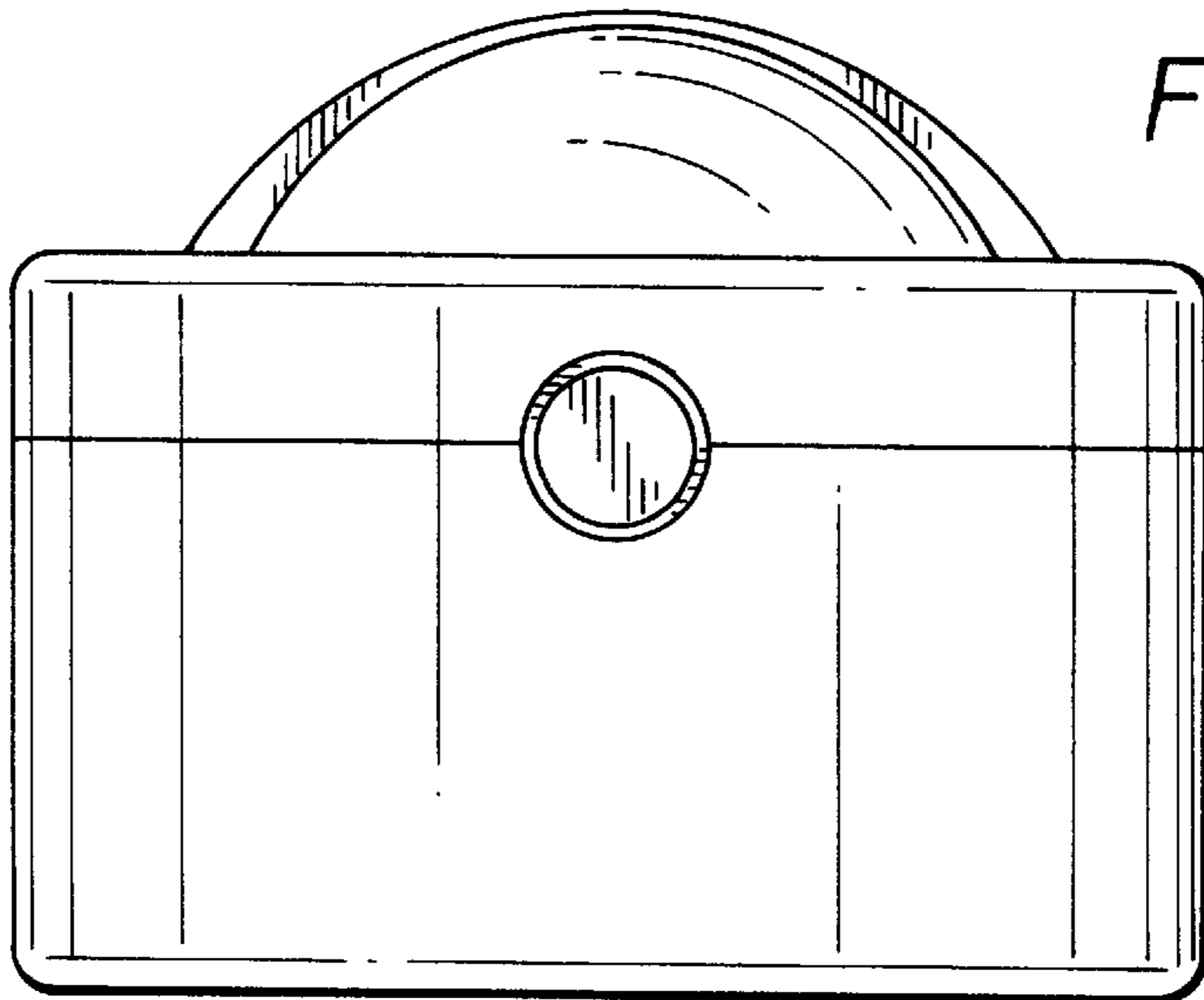


FIG. 7