



US00D419473S

# United States Patent [19]

[11] **Patent Number: Des. 419,473**

**Arnold et al.**

[45] **Date of Patent: \*\* Jan. 25, 2000**

[54] **SCALE PLATFORM**

[75] Inventors: **Gregory J. Arnold**, Saint Johnsbury;  
**Michael P. Conner**, Danville; **James S. Havers**, Saint Johnsbury, all of Vt.; **Ben H. Graves**, Stilwell, Kans.; **David K. Crabbe**, West Millbury, Mass.; **David C. Elms**, Marlboro, Mass.; **Bonnie L. Crabbe**, West Millbury, Mass.

*Primary Examiner*—Antoine Duval Davis  
*Attorney, Agent, or Firm*—William B. Kircher; Shook, Hardy & Bacon, LLP

[57] **CLAIM**

The ornamental design for a scale platform, as shown and described.

[73] Assignee: **Fairbanks Scales**, Kansas City, Mo.

**DESCRIPTION**

[\*\*] Term: **14 Years**

FIG. 1 is a front elevational view of a scale platform showing our new design;

[21] Appl. No.: **29/098,579**

FIG. 2 is a side elevational view thereof;

[22] Filed: **Dec. 31, 1998**

FIG. 3 is a rear elevational view thereof;

[51] **LOC (7) Cl.** ..... **10-04**

FIG. 4 is a top plan view thereof; and,

[52] **U.S. Cl.** ..... **D10/94**

FIG. 5 is a bottom plan view thereof.

[58] **Field of Search** ..... D10/93, 94; 177/238-245

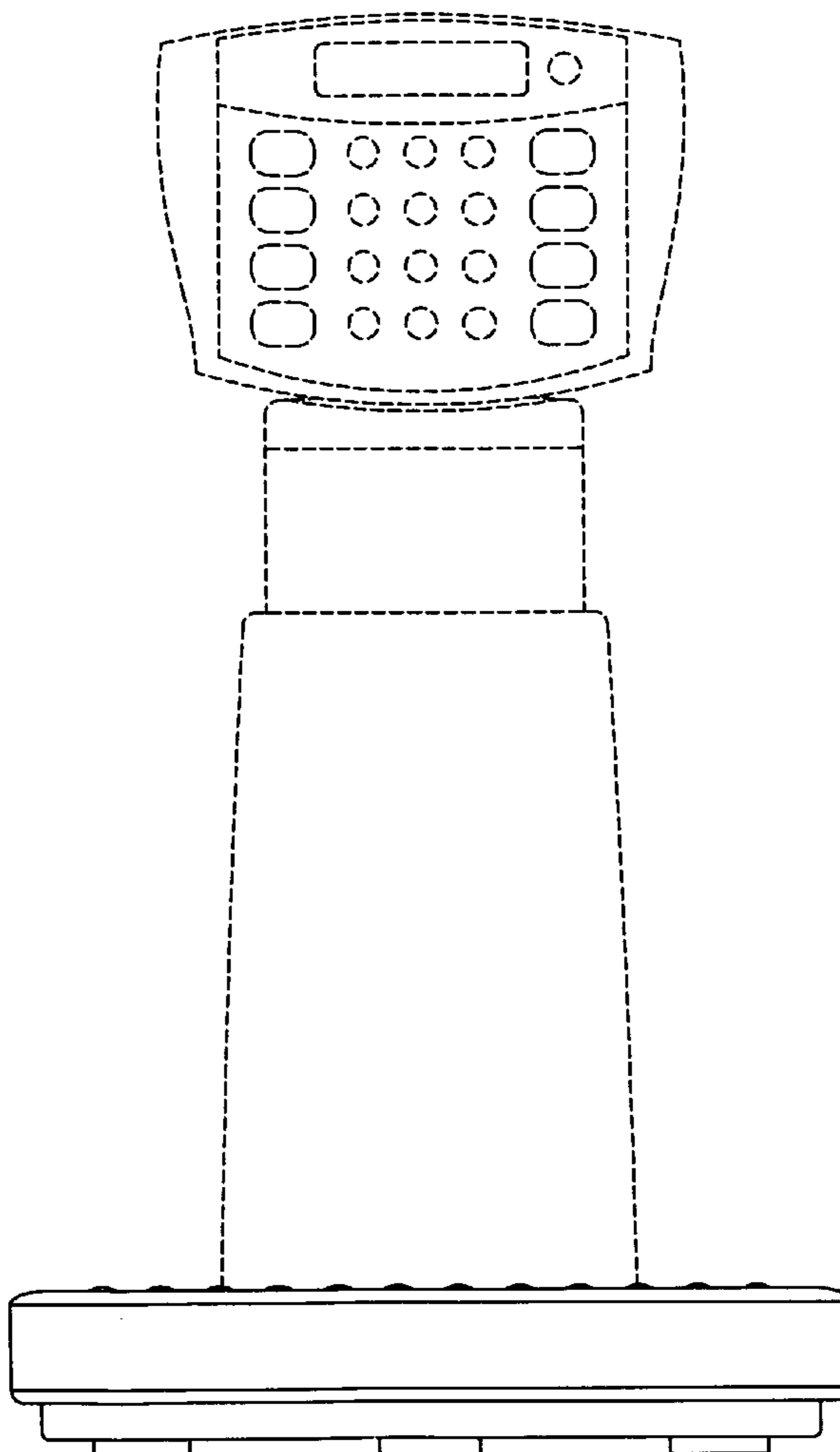
The broken lines are for purposes of illustration only and form no part of the claimed design.

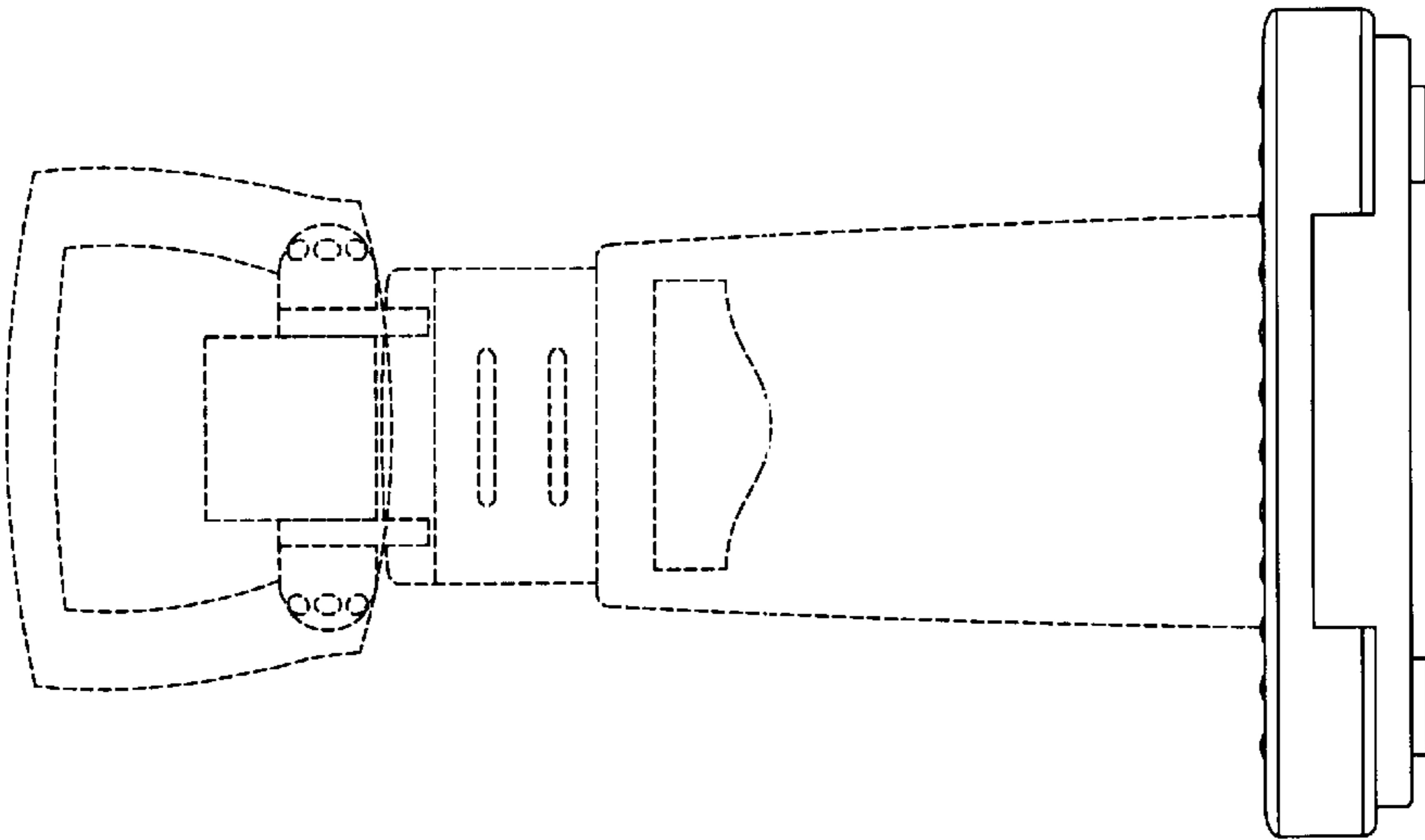
[56] **References Cited**

**U.S. PATENT DOCUMENTS**

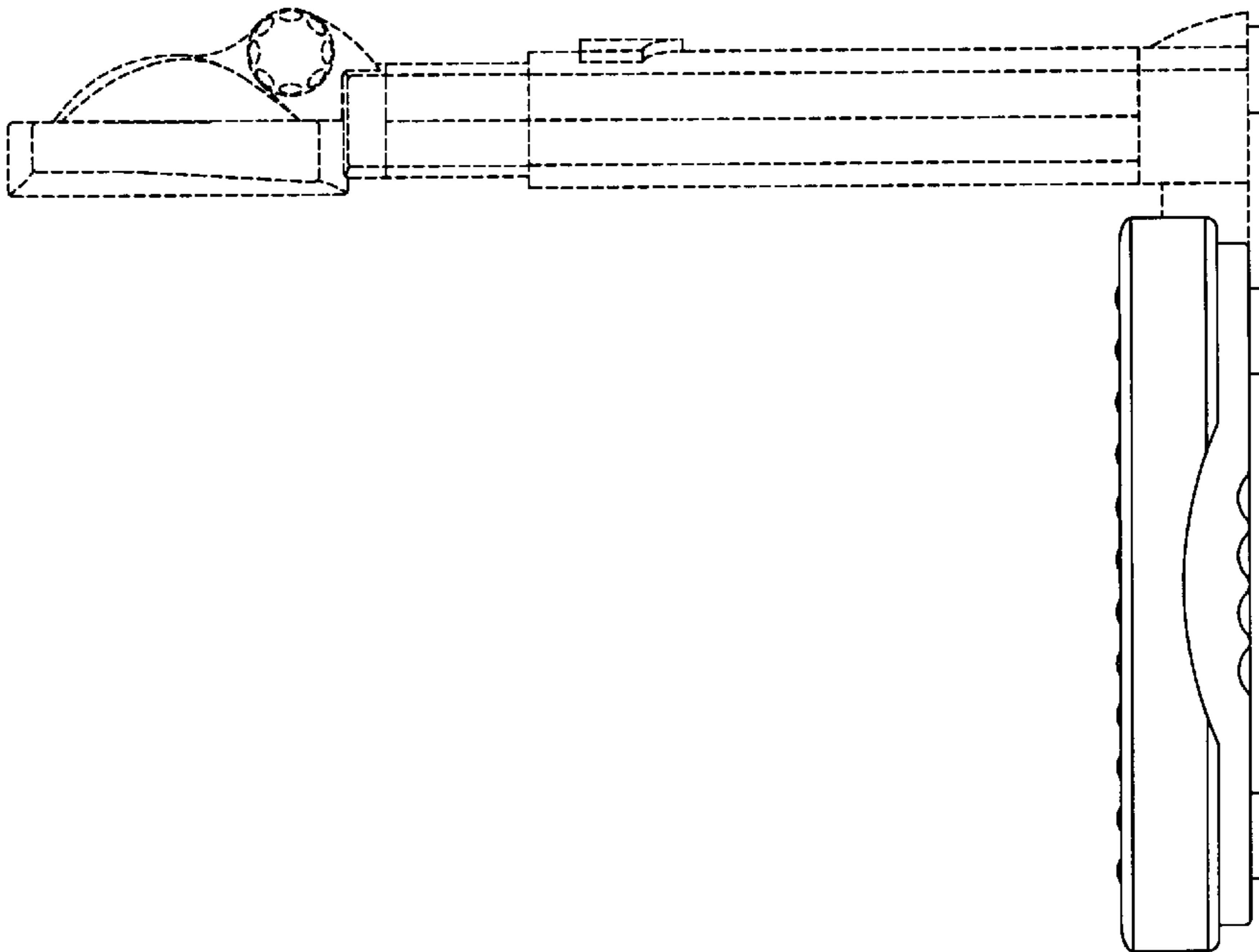
D. 305,993 2/1990 Carnevale et al. .... D10/93

**1 Claim, 2 Drawing Sheets**

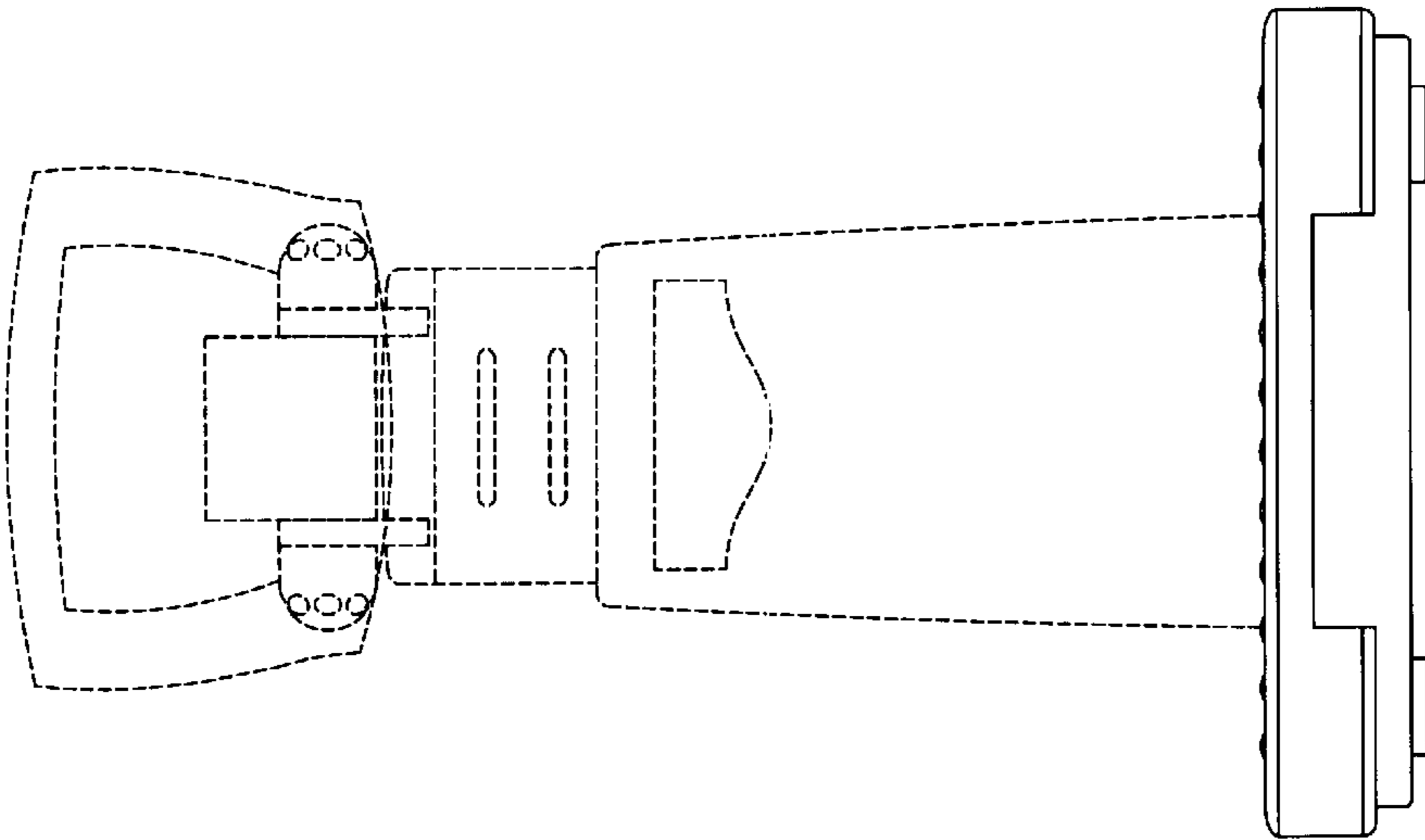




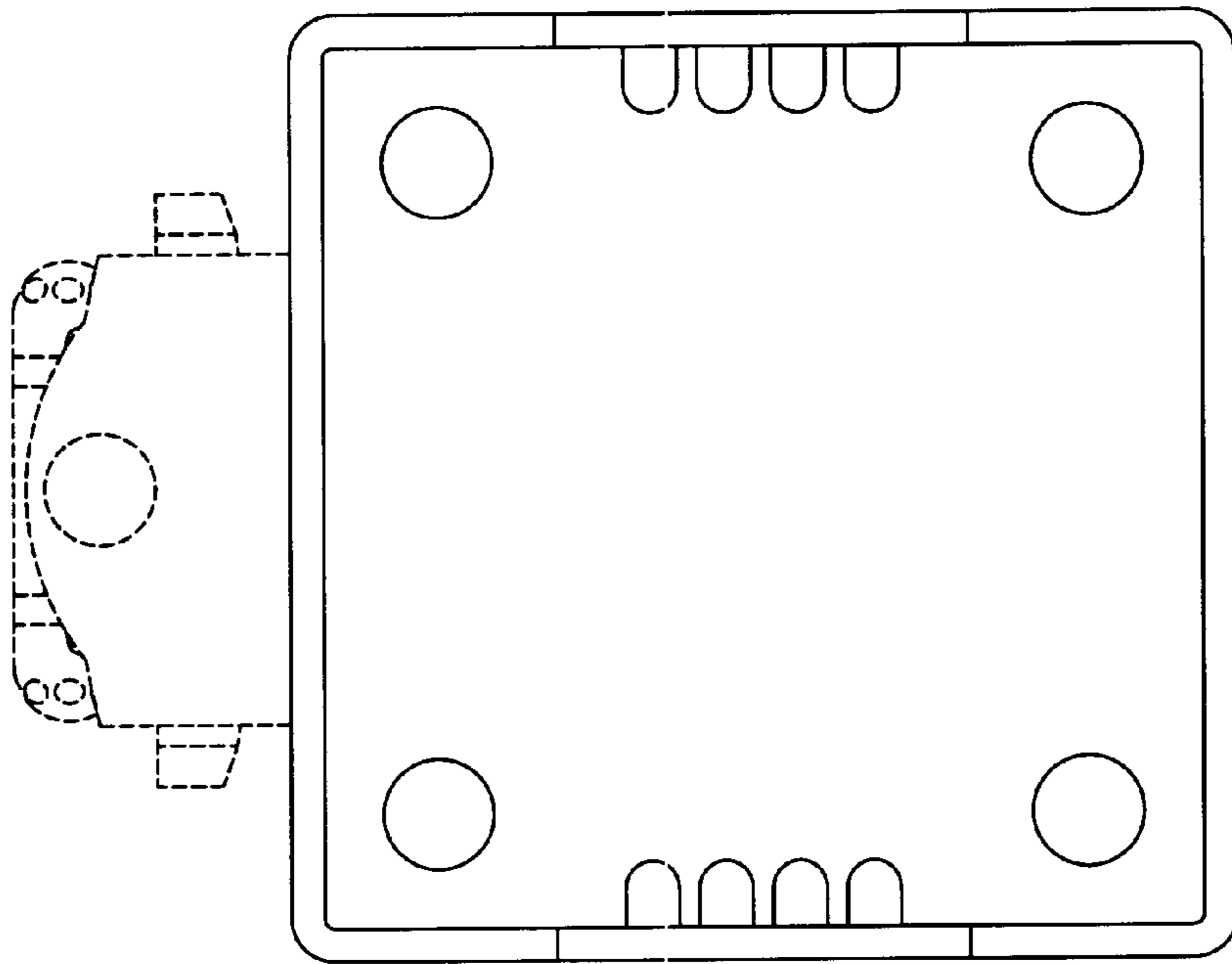
*Fig. 1.*



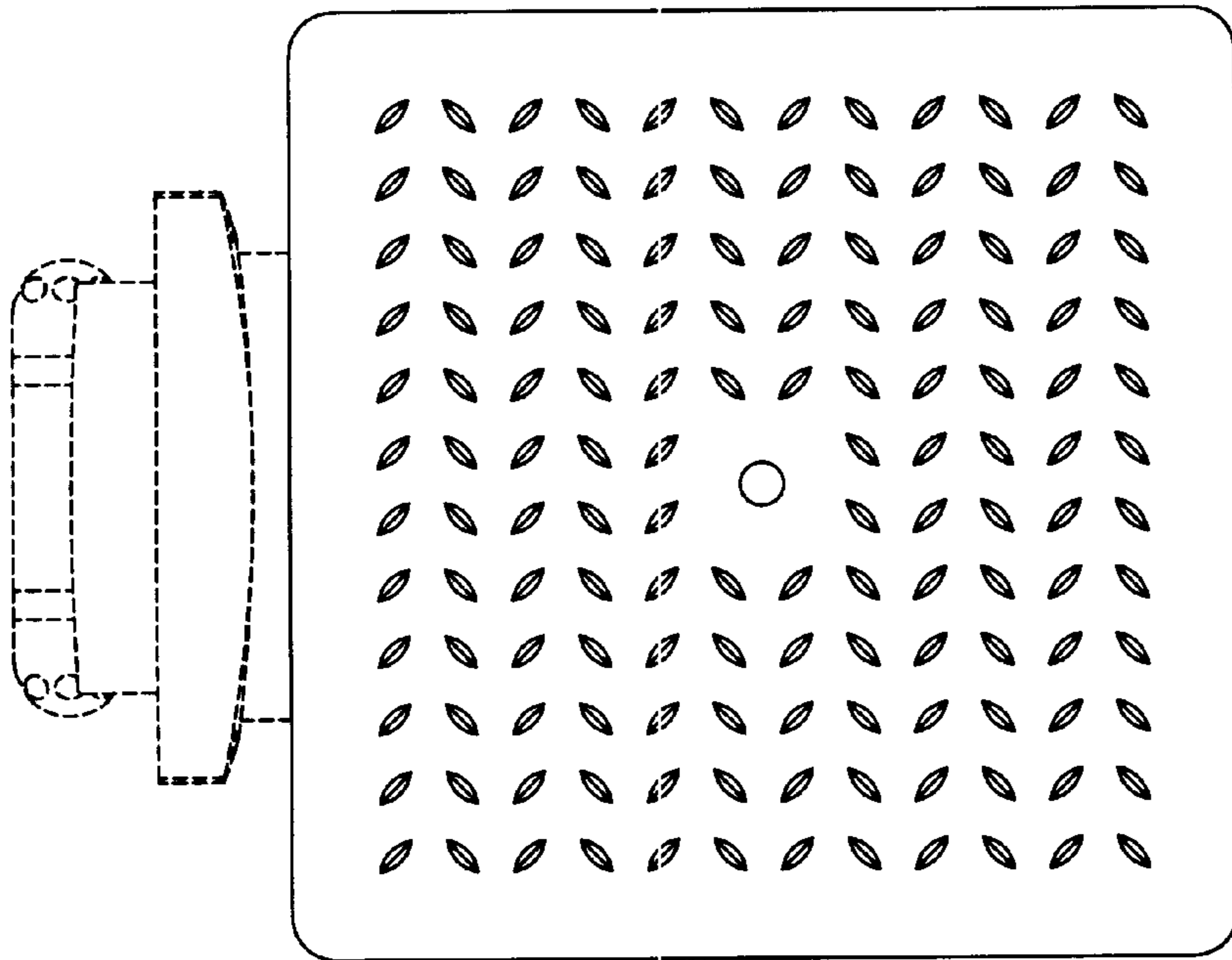
*Fig. 2.*



*Fig. 3.*



*Fig. 5.*



*Fig. 4.*