



US00D419469S

United States Patent [19]
Adamosky

[11] **Patent Number: Des. 419,469**

[45] **Date of Patent: ** Jan. 25, 2000**

[54] **DEVICE FOR MEASURING STATIONARY TORQUE**

Primary Examiner—Antoine Duval Davis
Attorney, Agent, or Firm—Smith-Hill and Bedell

[75] Inventor: **Patrick J. Adamosky**, Portland, Oreg.

[57] **CLAIM**

[73] Assignee: **International Tools & Technologies, Inc.**, Beaverton, Oreg.

The new and ornamental design for a device for measuring stationary torque, as shown and described.

[**] Term: **14 Years**

DESCRIPTION

[21] Appl. No.: **29/102,113**

[22] Filed: **Mar. 17, 1999**

[51] **LOC (7) Cl.** **10-04**

[52] **U.S. Cl.** **D10/83**

[58] **Field of Search** D10/83; 73/116,
73/117, 862.31, 862.192, 862.28, 862.324,
862.326, 862.29, 862.335

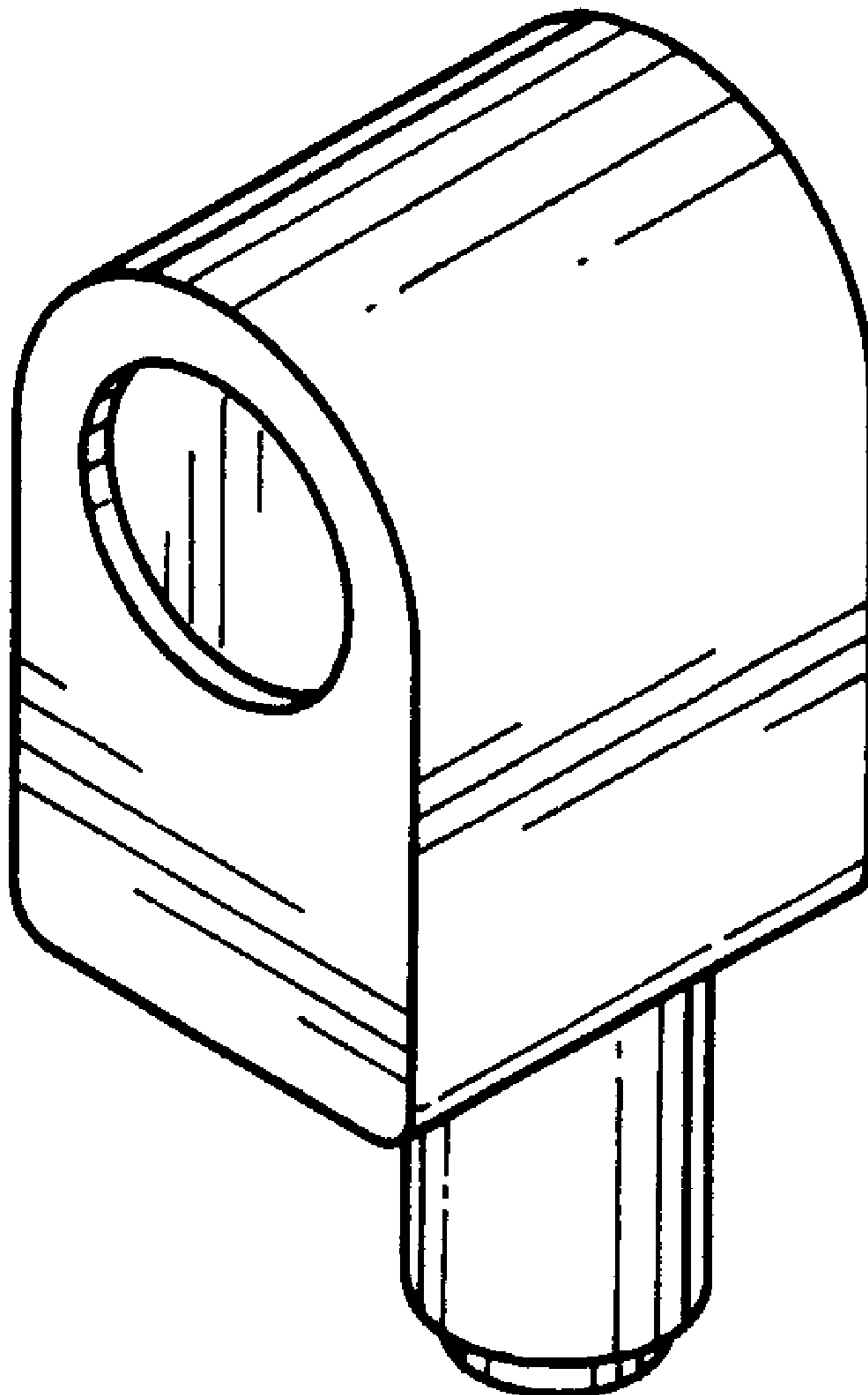
FIG. 1 is a perspective view of a device for measuring stationary torque with a torque bar shown in phantom, FIG. 2 is a perspective view thereof without the torque bar, FIG. 3 is a top plan view thereof, FIG. 4 is a left side elevation thereof, FIG. 5 is a front elevation thereof, FIG. 6 is a right side elevation thereof; and, FIG. 7 is a bottom plan view thereof.

[56] **References Cited**

U.S. PATENT DOCUMENTS

5,321,985 6/1994 Kashiwagi et al. 73/862.335

1 Claim, 1 Drawing Sheet



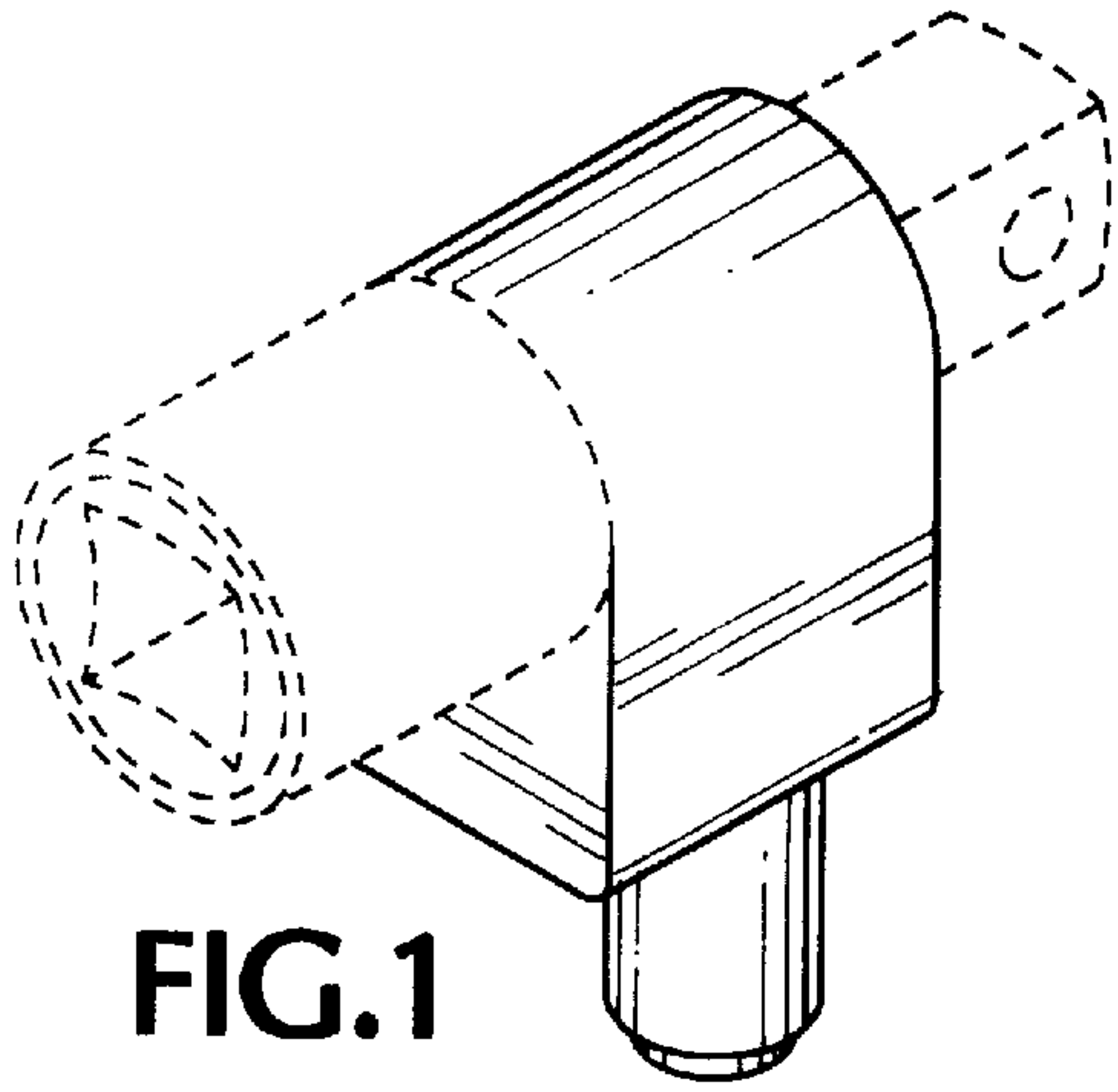


FIG. 1

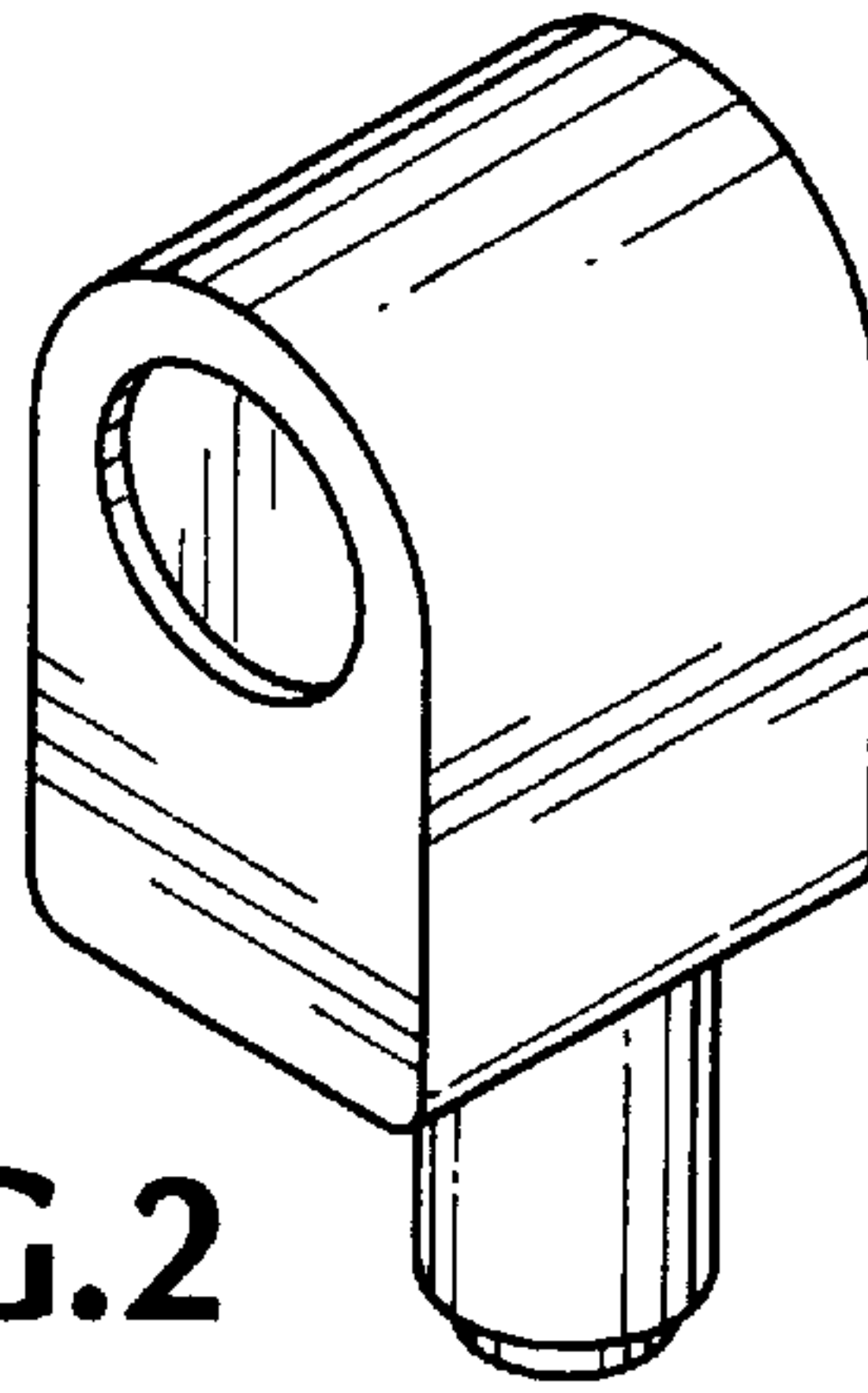


FIG. 2

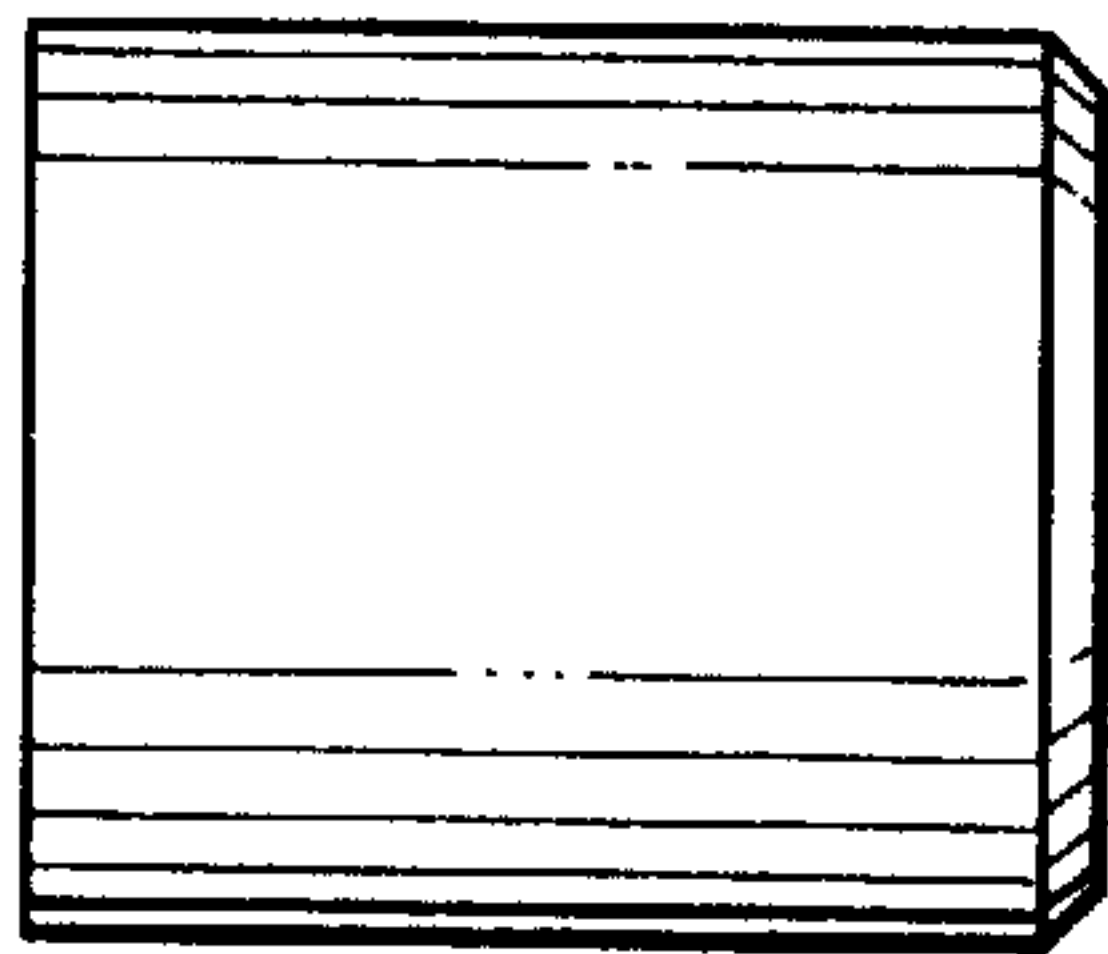


FIG. 3

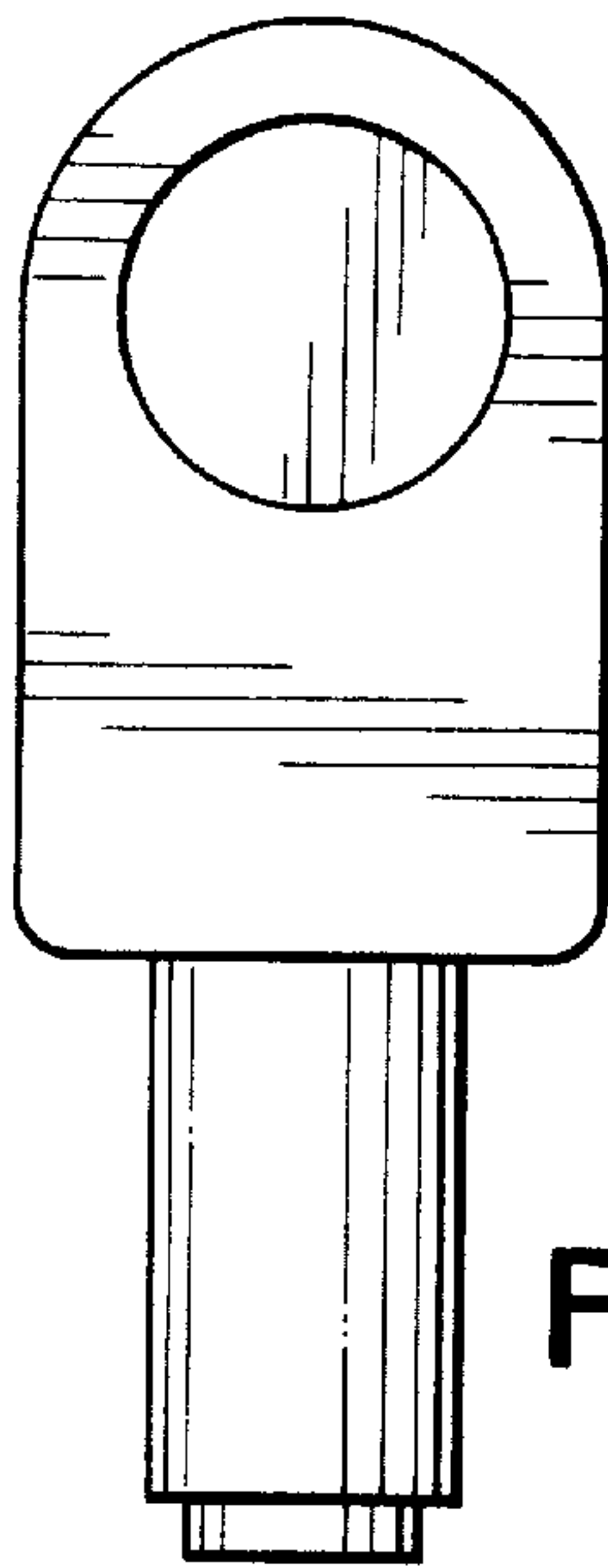


FIG. 4

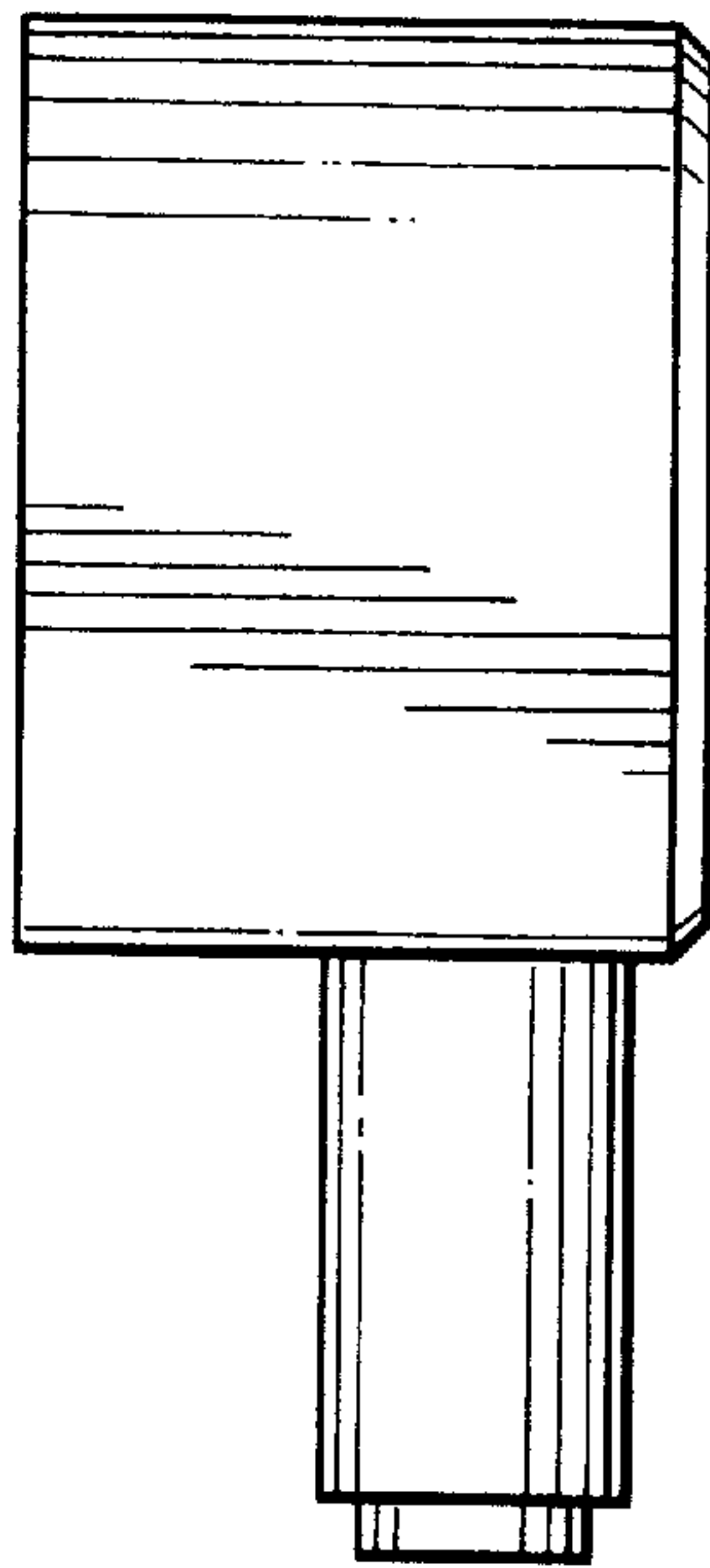


FIG. 5

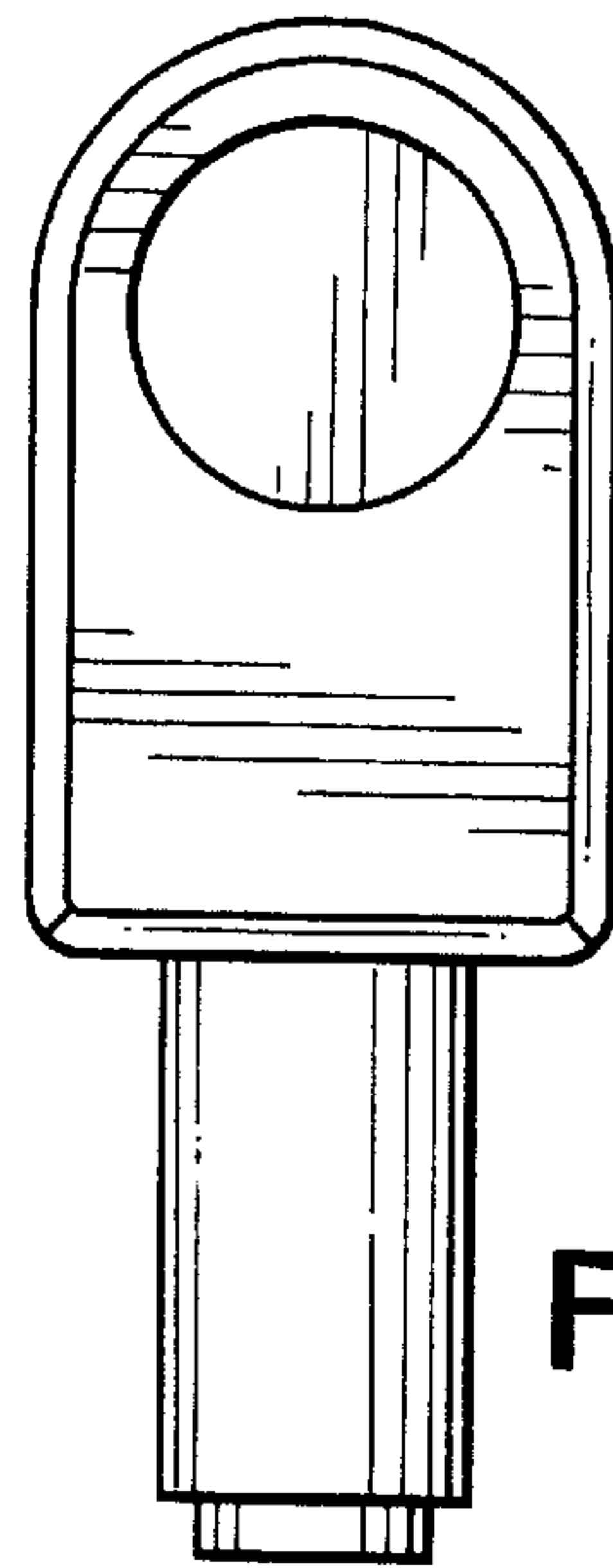


FIG. 6

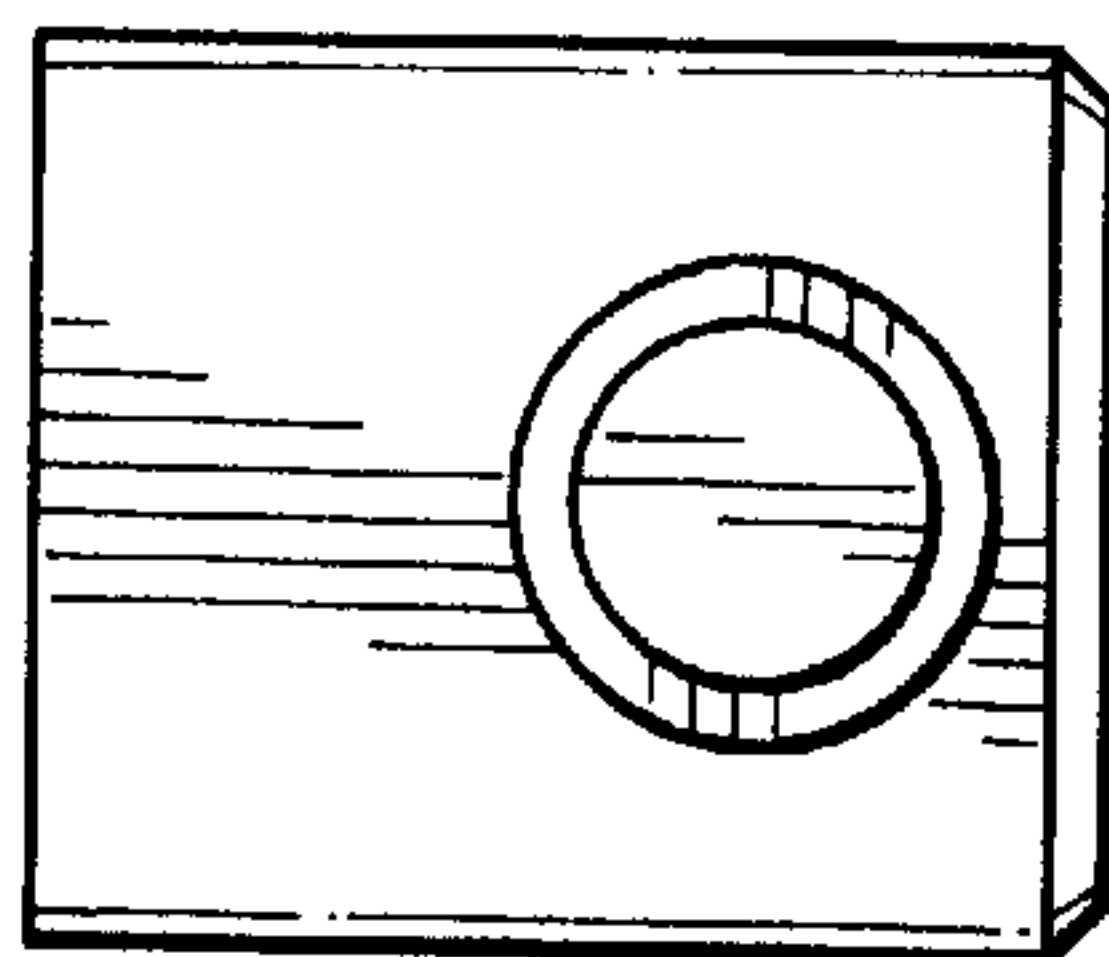


FIG. 7