



US00D419463S

United States Patent [19]
Wang

[11] **Patent Number: Des. 419,463**

[45] **Date of Patent: ** Jan. 25, 2000**

[54] **BATTERY TESTER**

5,538,806 7/1996 Weiss et al. 429/90

[75] Inventor: **Kuo-Hsiang Wang**, Taipei, Taiwan

Primary Examiner—Antoine Duval Davis
Attorney, Agent, or Firm—Finnegan, Henderson, Farabow,
Garrett & Dunner, L.L.P.

[73] Assignee: **Stuart Instrument Co., Ltd.**, Taipei,
Taiwan

[**] Term: **14 Years**

[57] **CLAIM**

The ornamental design for a battery tester, as shown and described.

[21] Appl. No.: **29/099,109**

[22] Filed: **Jan. 13, 1999**

DESCRIPTION

[51] **LOC (7) Cl.** **10-04**

FIG. 1 is a perspective view of battery tester showing my new design;

[52] **U.S. Cl.** **D10/77**

FIG. 2 is a front elevational view thereof;

[58] **Field of Search** D10/77; 324/425-437;
340/636; 429/90, 91

FIG. 3 is a rear elevational view thereof;

FIG. 4 is a left side elevational view thereof;

FIG. 5 is a right side elevational view thereof;

FIG. 6 is a top plan view thereof; and,

FIG. 7 is a bottom plan view thereof.

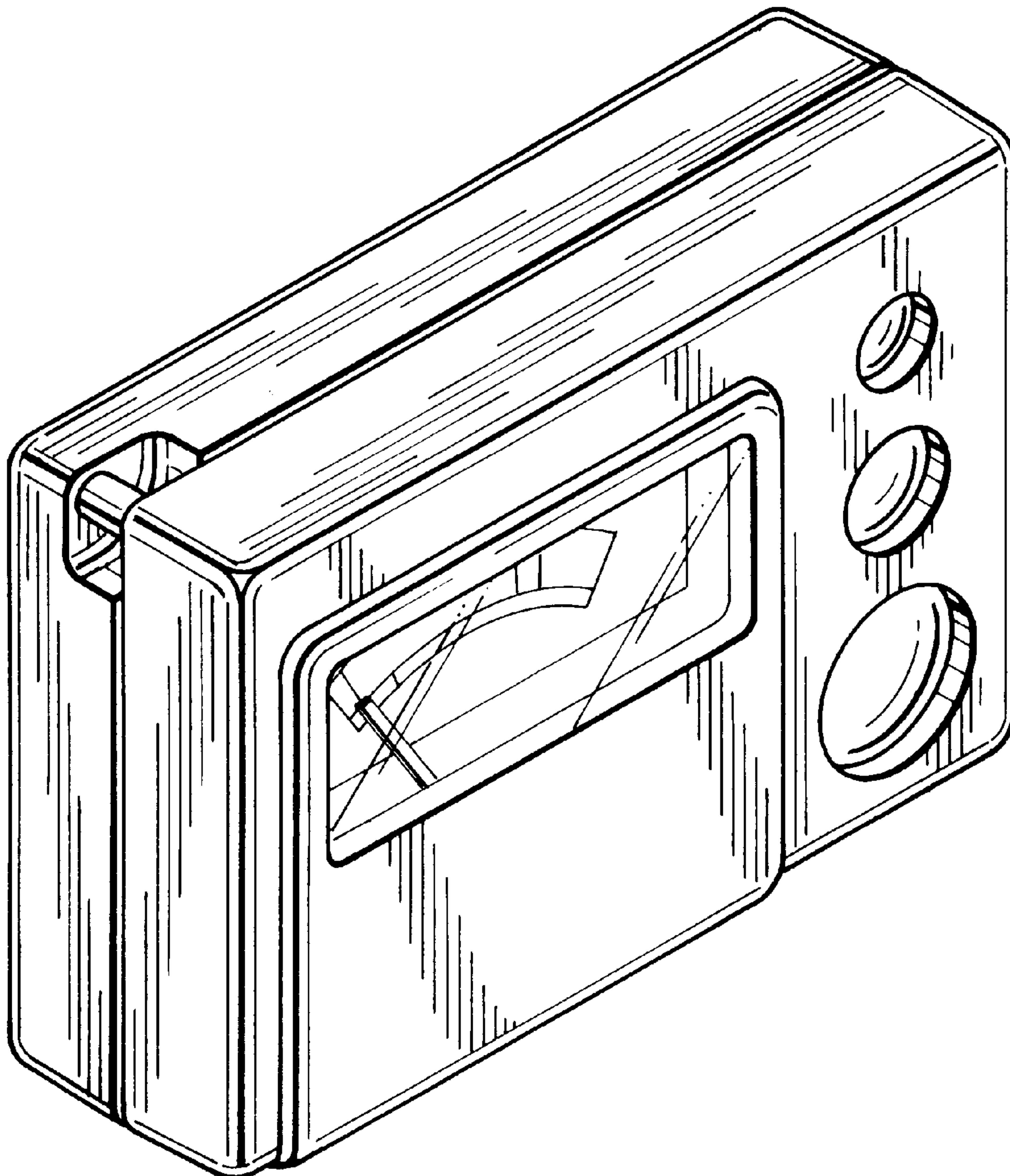
[56] **References Cited**

U.S. PATENT DOCUMENTS

D. 288,791 3/1987 Bezikos D10/77 X

D. 297,516 9/1988 Wang D10/77

1 Claim, 3 Drawing Sheets



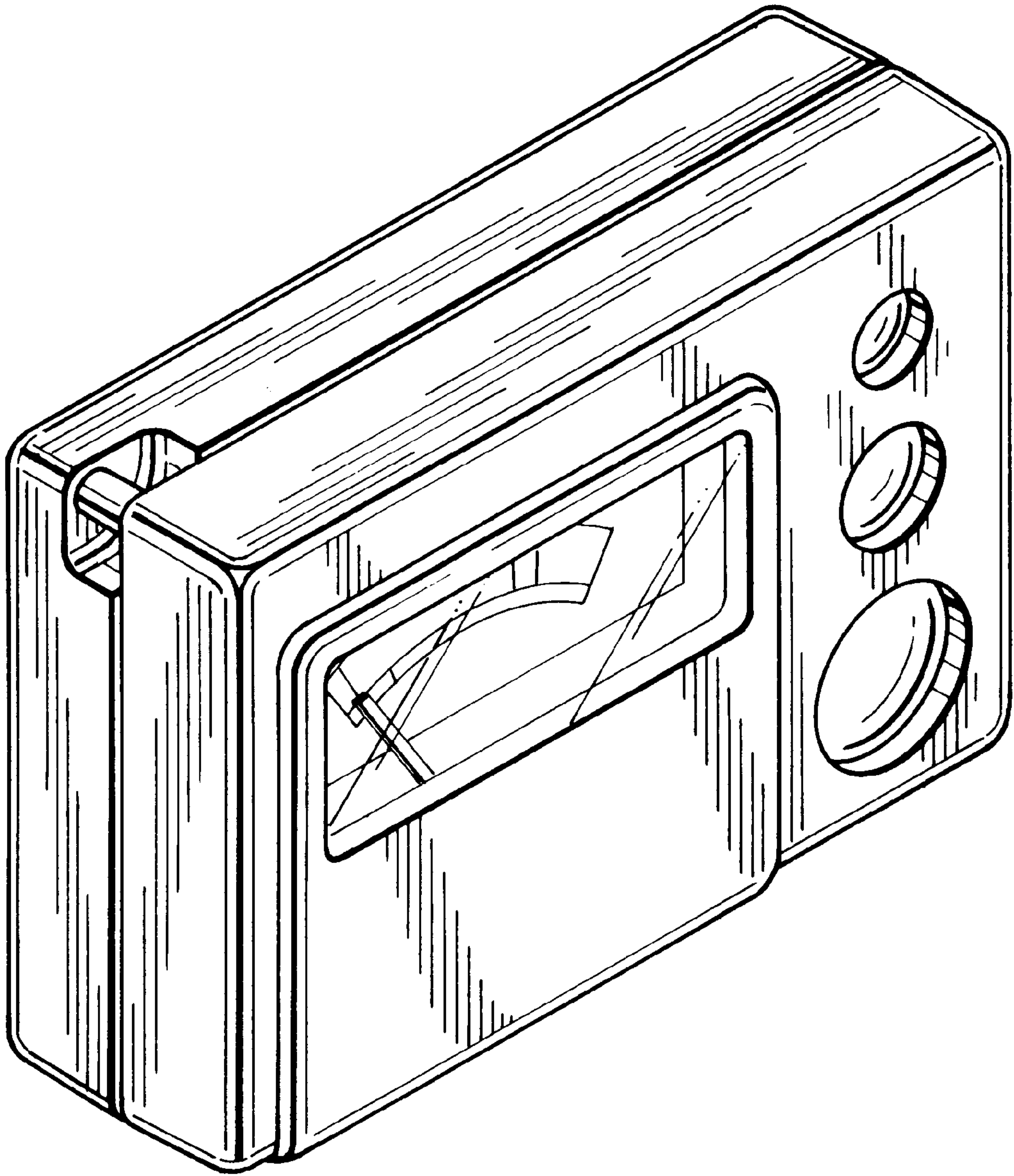


FIG. 1

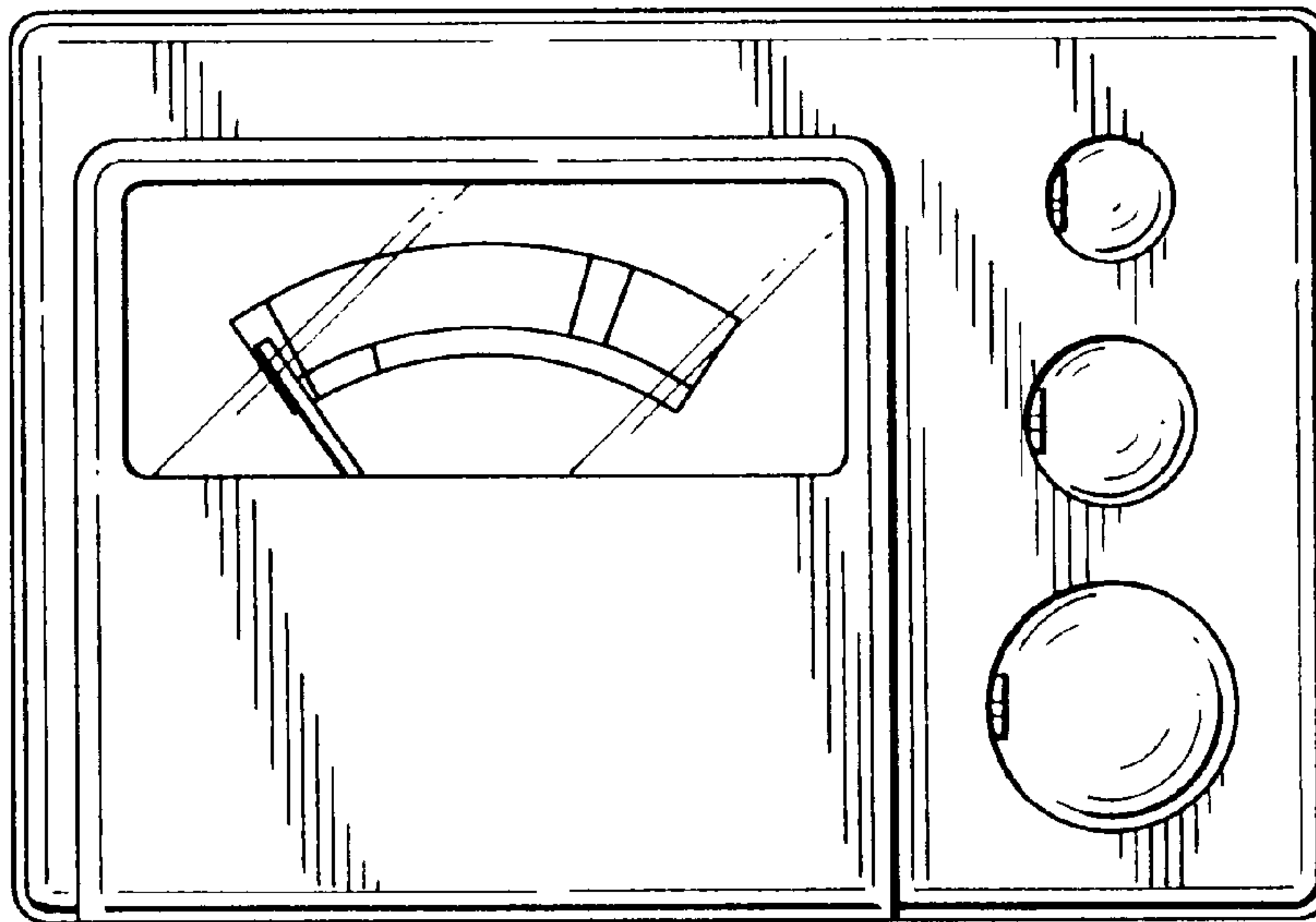


FIG. 2

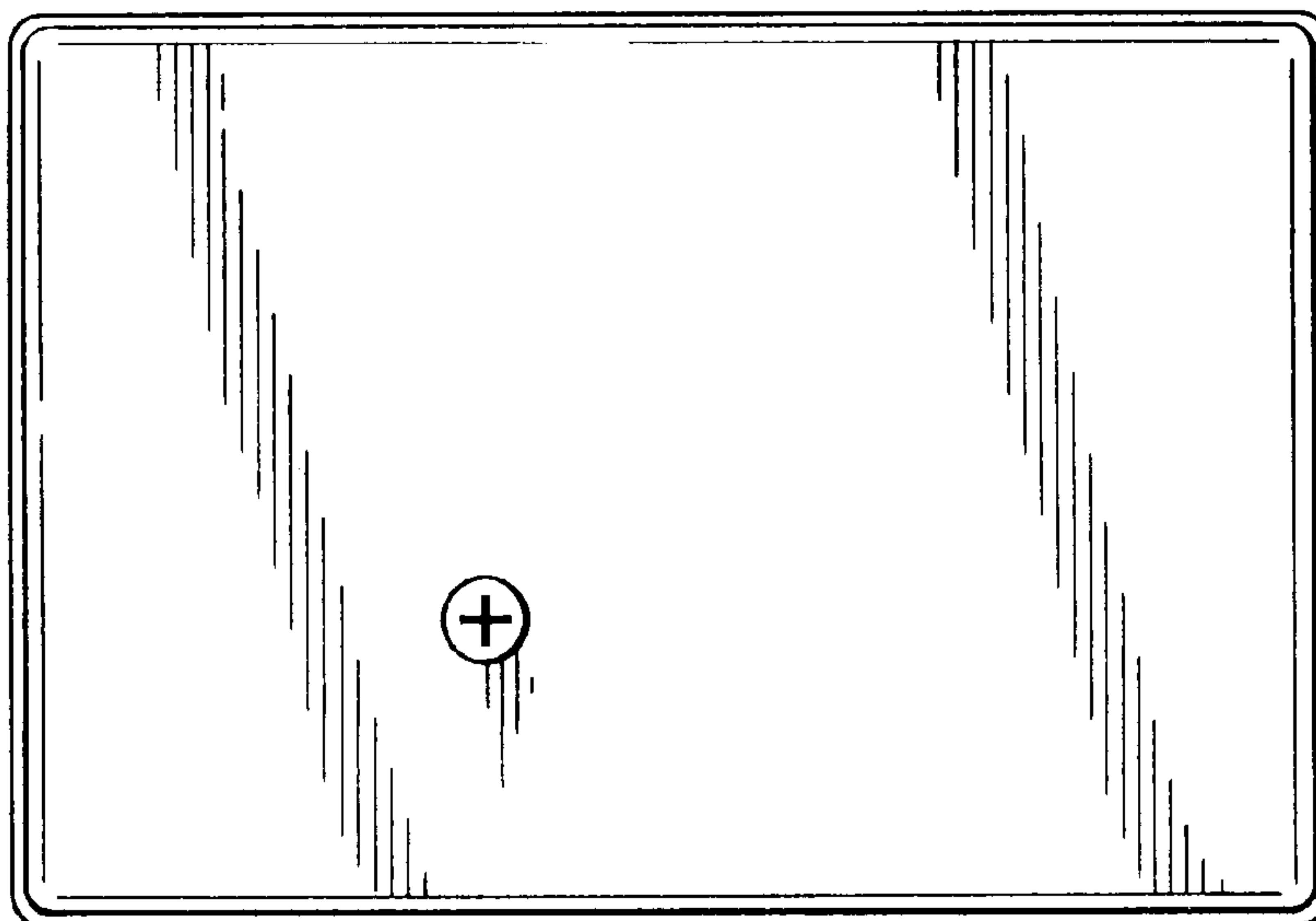


FIG. 3

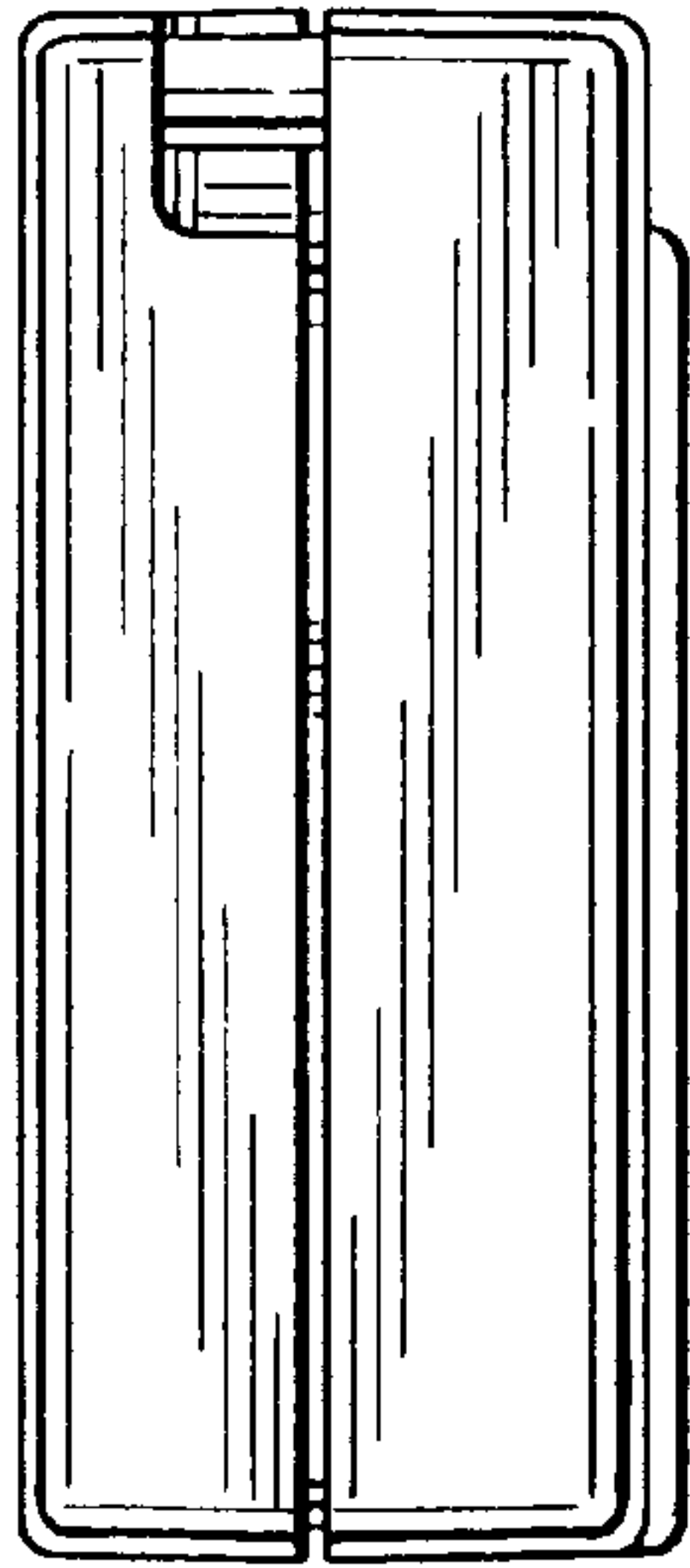


FIG. 4

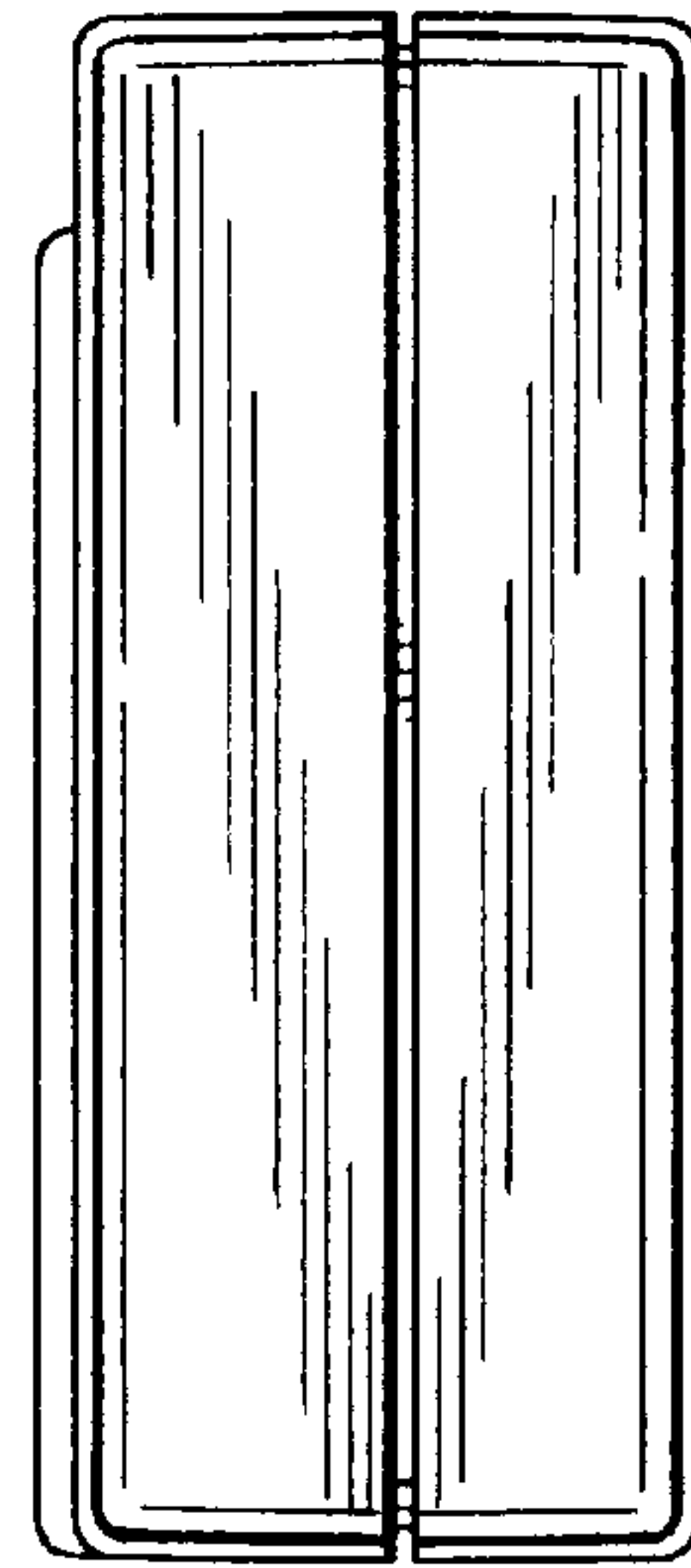


FIG. 5

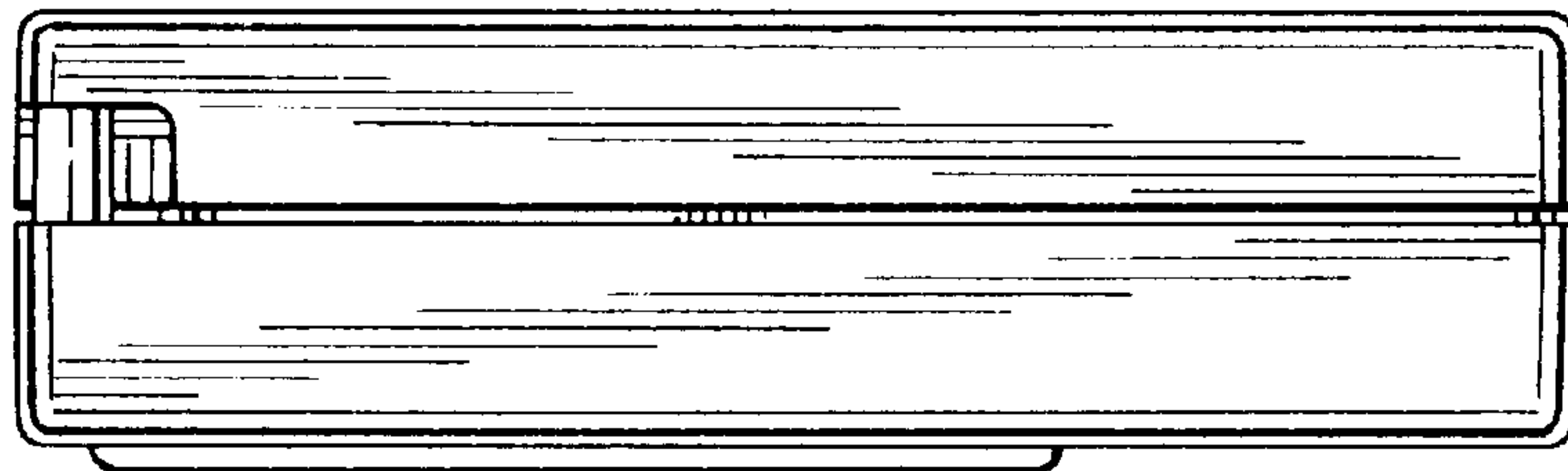


FIG. 6

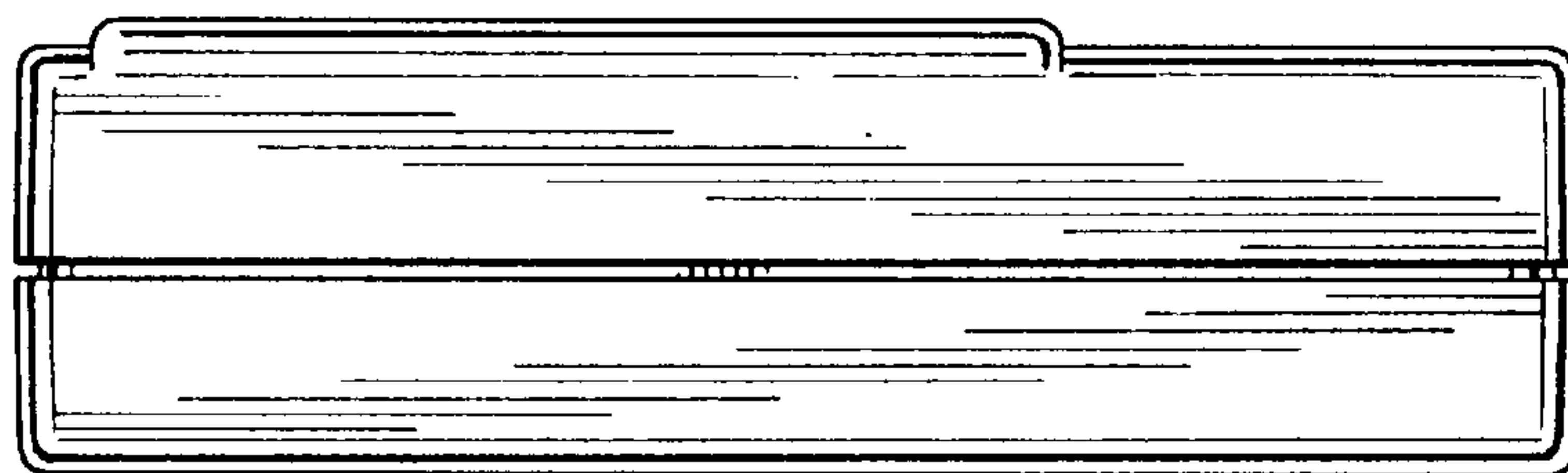


FIG. 7