



US00D419462S

United States Patent [19] Lin

[11] **Patent Number: Des. 419,462**

[45] **Date of Patent: ** Jan. 25, 2000**

[54] **EAR THERMOMETER**

D. 402,904 12/1998 Sugimoto et al. D10/57
D. 402,905 12/1998 Kanza et al. D10/57

[75] Inventor: **Kevin Lin**, Hsinchu, Taiwan

Primary Examiner—Antoine Duval Davis
Attorney, Agent, or Firm—Bacon & Thomas, PLLC

[73] Assignee: **Oriental System Technology Inc.**,
Hsinchu, Taiwan

[57] **CLAIM**

[**] Term: **14 Years**

The ornamental design for an ear thermometer, as shown and described.

[21] Appl. No.: **29/101,139**

DESCRIPTION

[22] Filed: **Feb. 24, 1999**

FIG. 1 is a top plane view of an ear thermometer that shows my new design;

[51] **LOC (7) Cl.** **10-04**

[52] **U.S. Cl.** **D10/57**

FIG. 2 is a bottom plane view thereof;

[58] **Field of Search** D10/57; 600/474;
128/664, 736; 374/130, 131, 208

FIG. 3 is a left side view thereof;

FIG. 4 is a right side view thereof;

FIG. 5 is a front elevational view thereof;

FIG. 6 is a rear elevational view thereof; and,

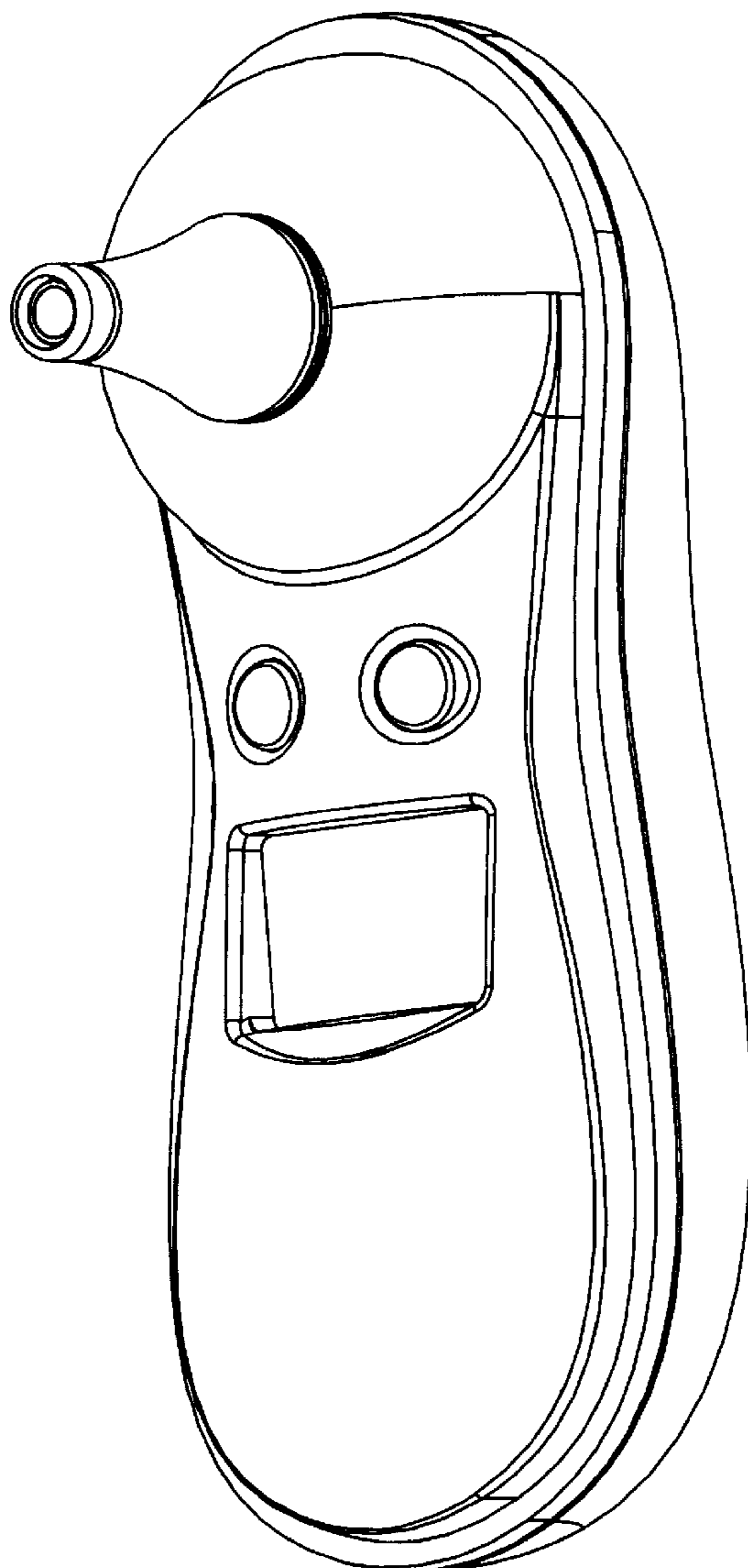
FIG. 7 is a perspective view thereof.

[56] **References Cited**

U.S. PATENT DOCUMENTS

D. 388,343 12/1997 Yamauchi et al. D10/57

1 Claim, 6 Drawing Sheets



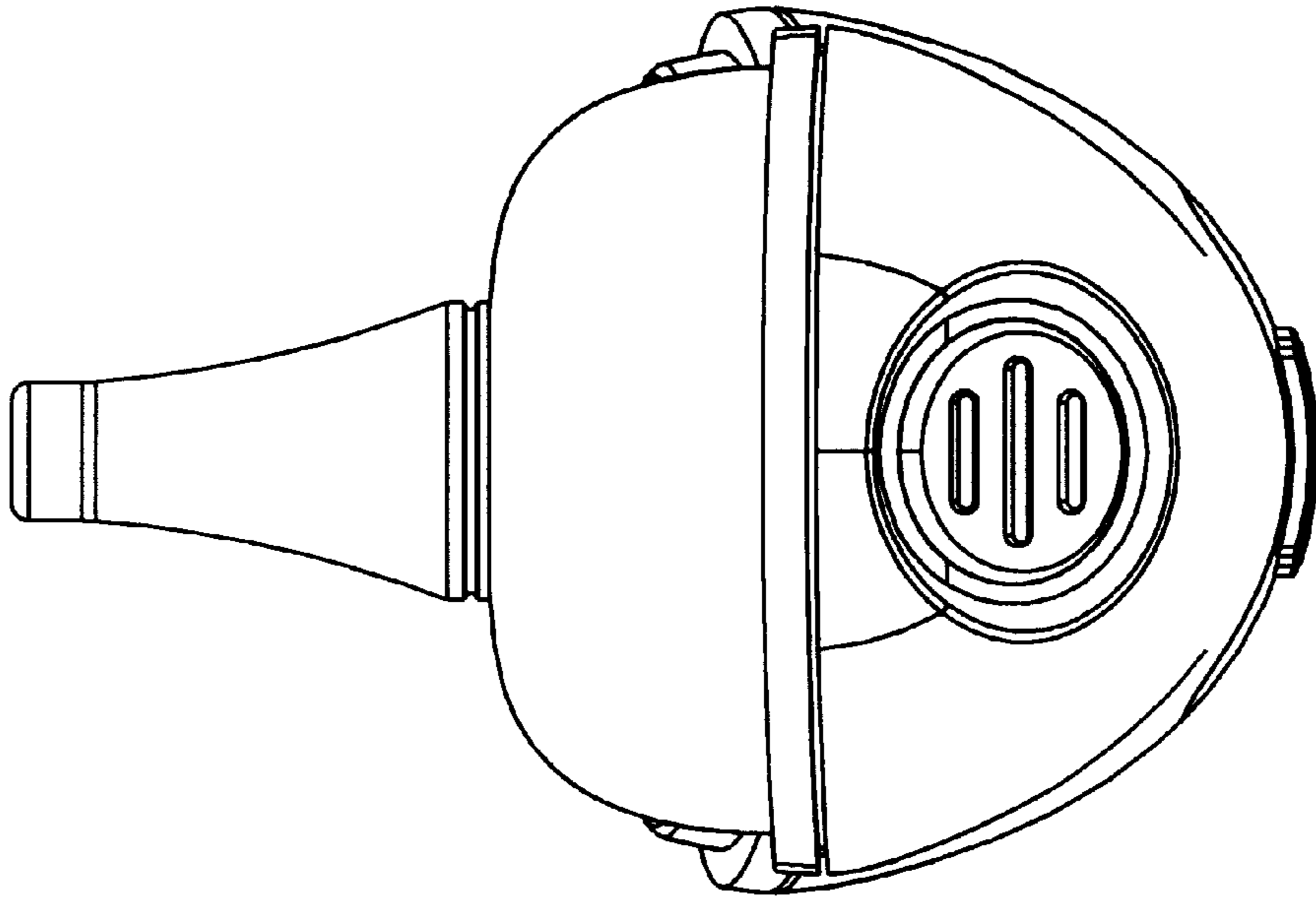


FIG. 1

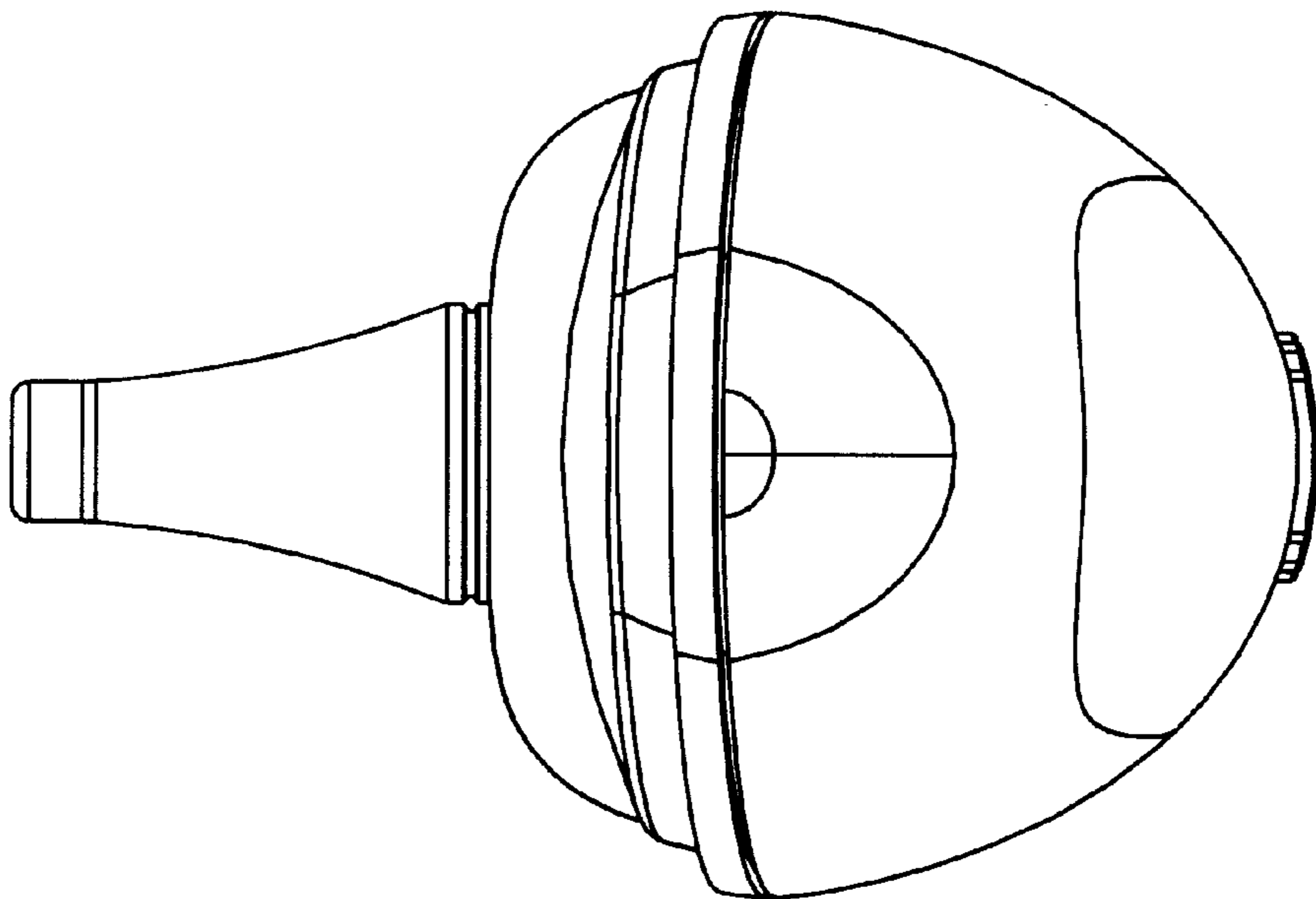


FIG. 2

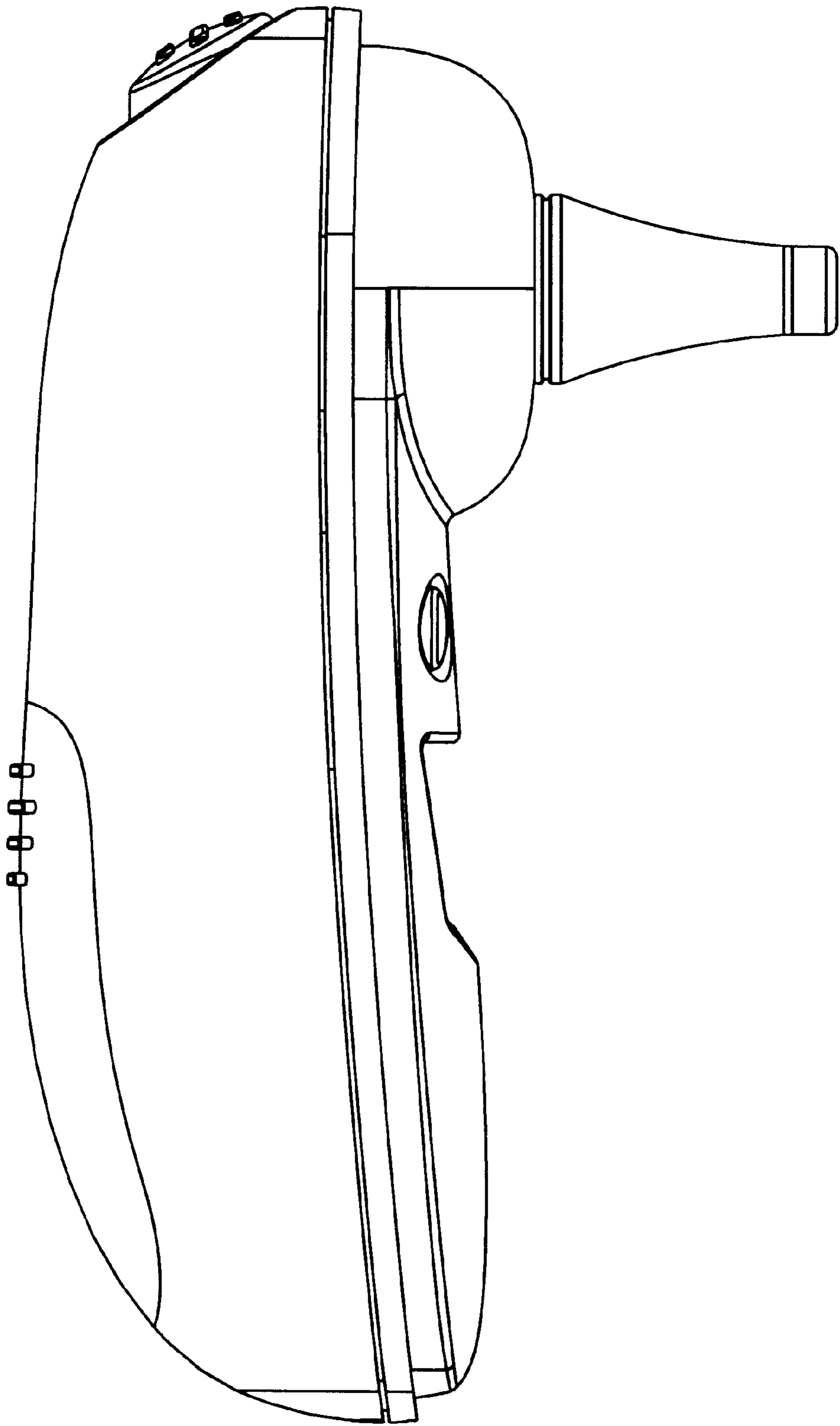


FIG. 3

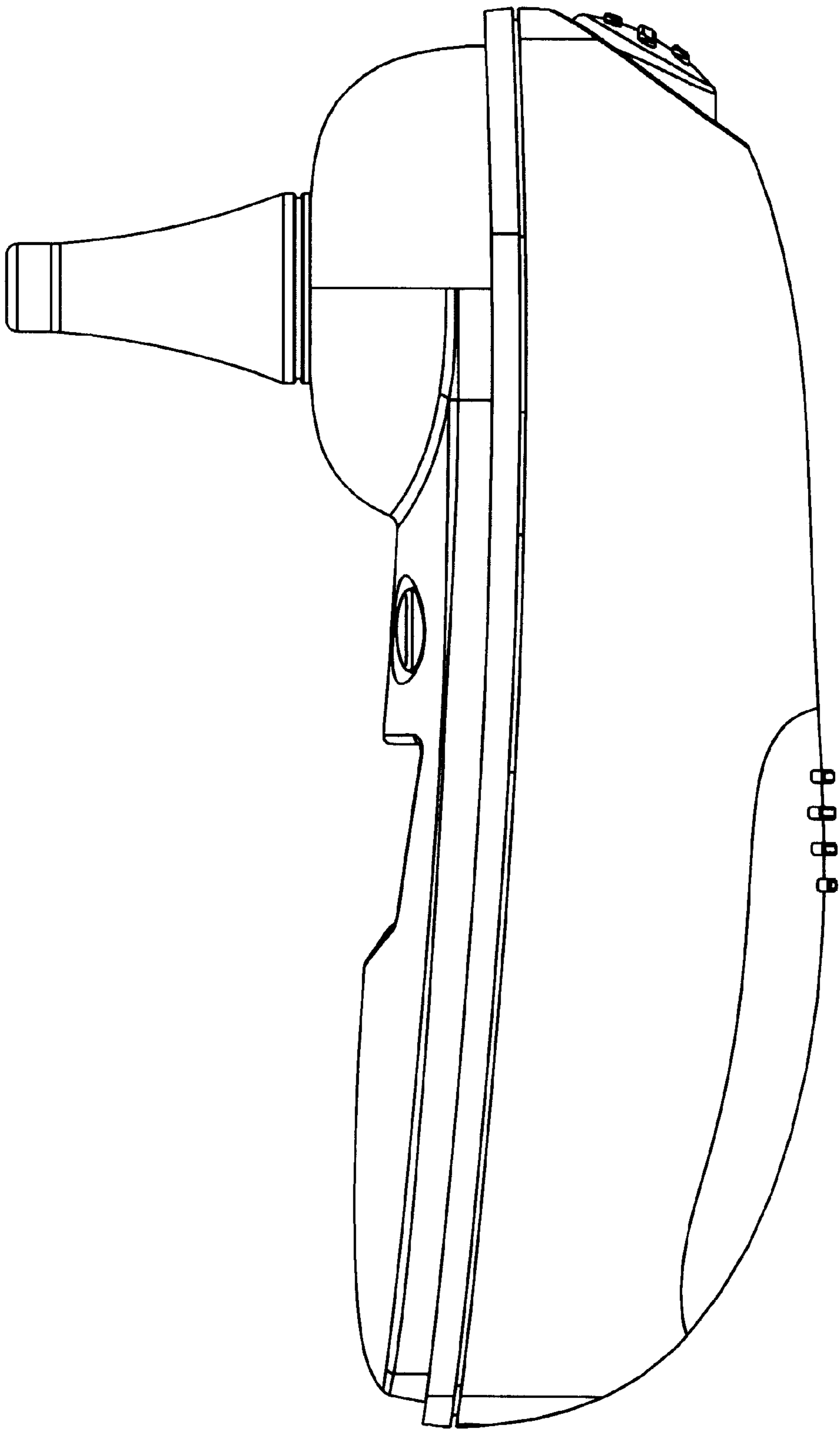


FIG. 4

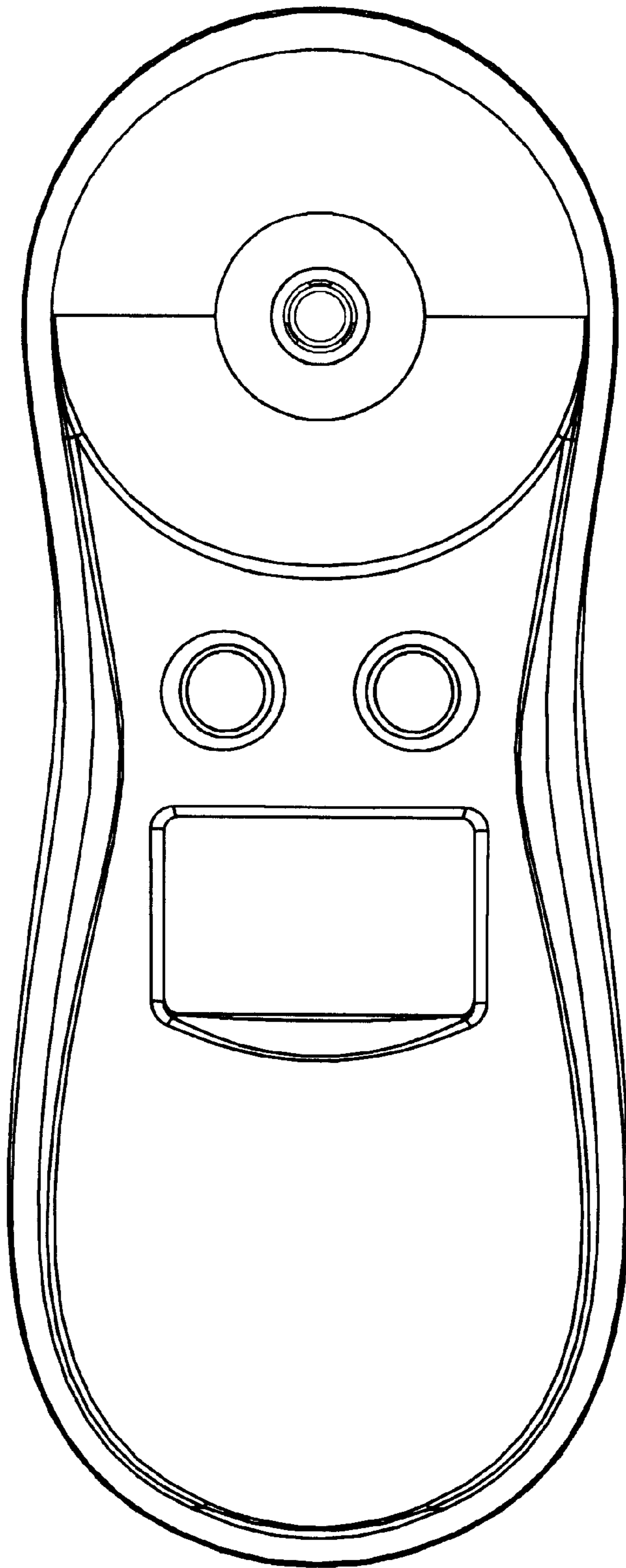


FIG. 5

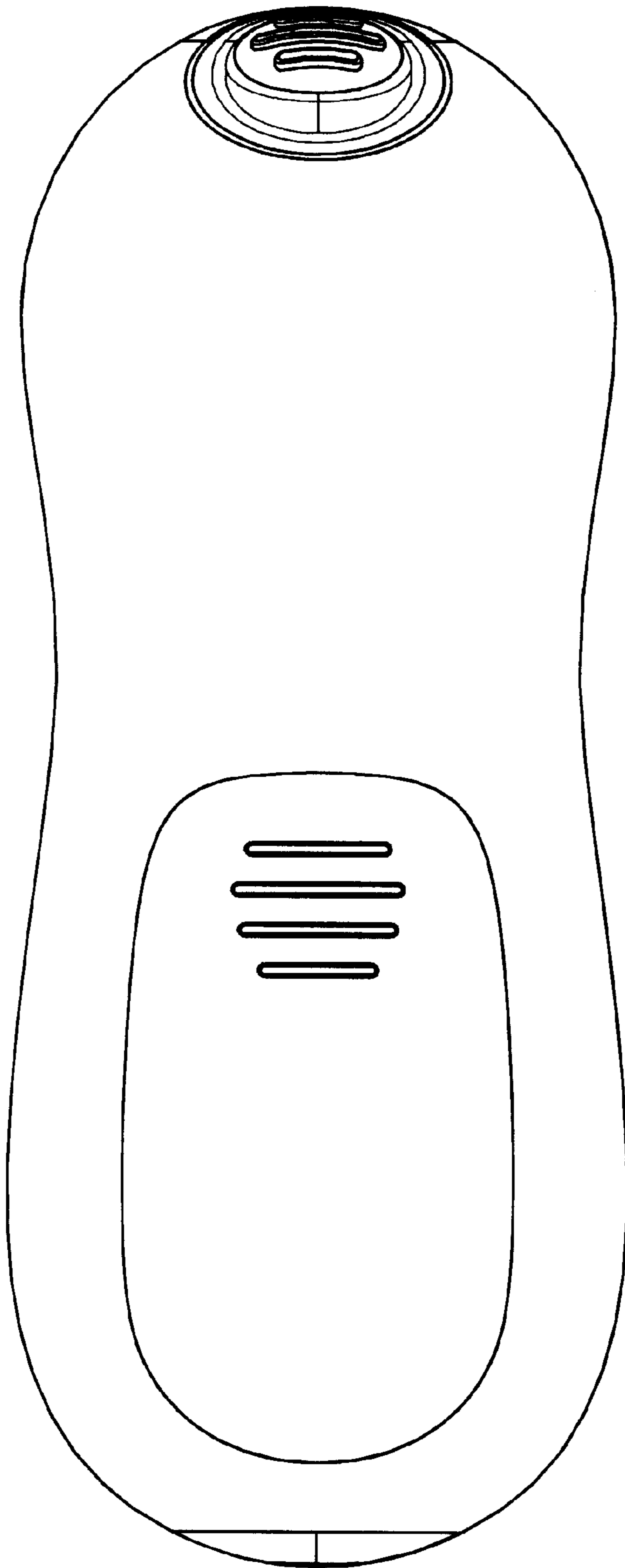


FIG. 6

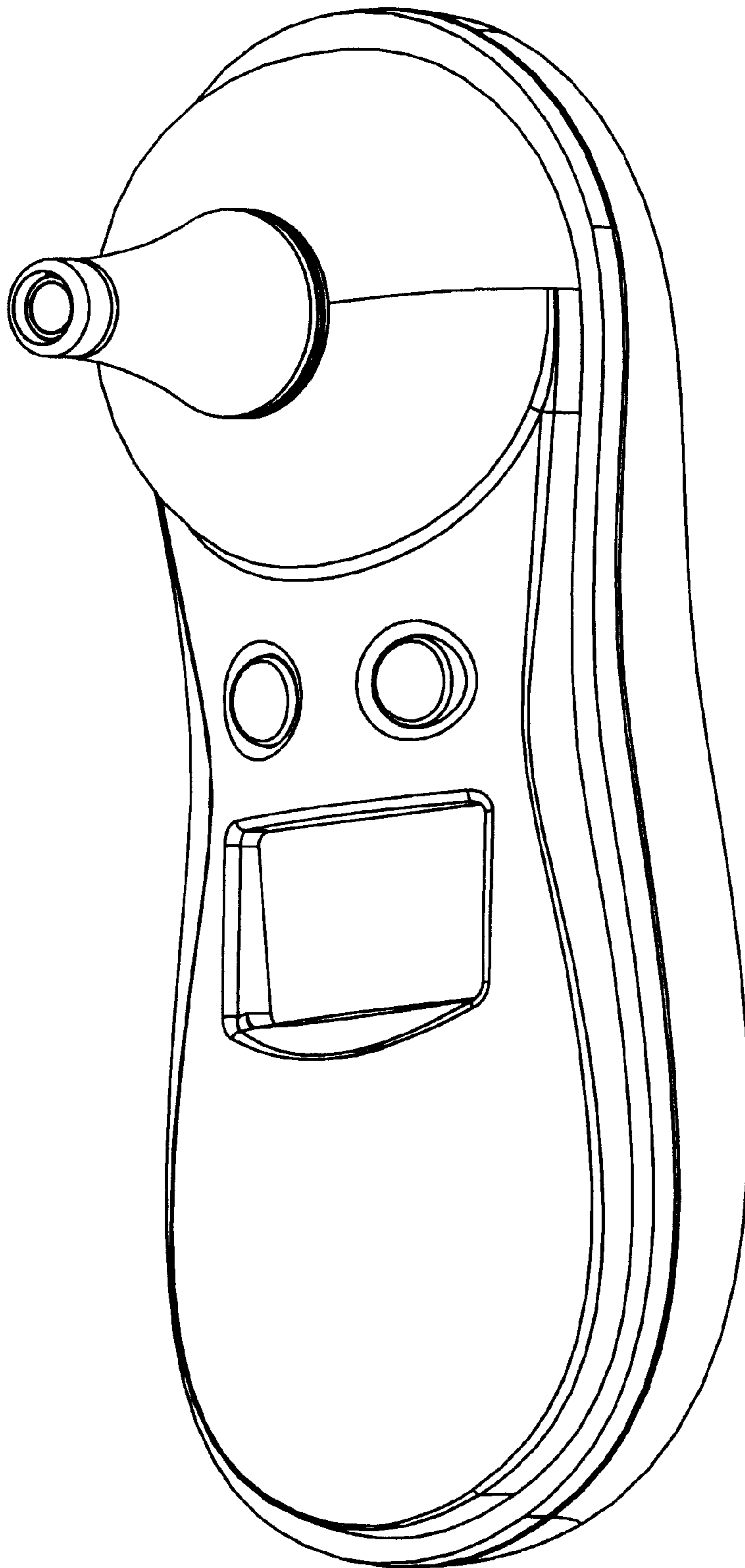


FIG. 7